



US00D670906S

(12) **United States Design Patent**  
**Du**

(10) **Patent No.:** **US D670,906 S**

(45) **Date of Patent:** **\*\* Nov. 20, 2012**

(54) **TOTE BAG WITH COVER FLAP AND DIVIDED INTERIOR**

(76) Inventor: **Tiffany Du**, Garden Grove, CA (US)

(\*\*) Term: **14 Years**

(21) Appl. No.: **29/398,801**

(22) Filed: **Aug. 4, 2011**

(51) **LOC (9) Cl.** ..... **03-01**

(52) **U.S. Cl.** ..... **D3/243**

(58) **Field of Classification Search** ..... D3/232-233,  
D3/240-245; 150/100, 103-110, 113-114,  
150/117-119

See application file for complete search history.

(56) **References Cited**

U.S. PATENT DOCUMENTS

D413,724 S *	9/1999	Freedman	.....	D3/243
6,199,737 B1 *	3/2001	Ringelstetter	.....	224/675
D486,031 S *	2/2004	Hillman	.....	D6/633
D596,850 S *	7/2009	Smith	.....	D3/232
D620,249 S *	7/2010	Yu	.....	D3/232
D630,845 S *	1/2011	Guichot	.....	D3/232
D641,549 S *	7/2011	Caldwell	.....	D3/232

\* cited by examiner

*Primary Examiner* — Holly Baynham

(74) *Attorney, Agent, or Firm* — Richard D. Clarke

(57) **CLAIM**

I claim the ornamental design for a tote bag with cover flap and divided interior, as shown and described.

**DESCRIPTION**

FIG. 1 is a front, side and top perspective view of the tote bag with cover flap and divided interior, showing the tote bag fully expanded and open;

FIG. 2 is a front, side and top perspective view of the tote bag with cover flap and divided interior, showing the tote bag fully compressed and closed;

FIG. 3 is a top plan view of the tote bag with cover flap and divided interior;

FIG. 4 is a rear view of the tote bag with cover flap and divided interior;

FIG. 5 is a side elevation view of the tote bag with cover flap and divided interior;

FIG. 6 is front view of the tote bag with cover flap and divided interior;

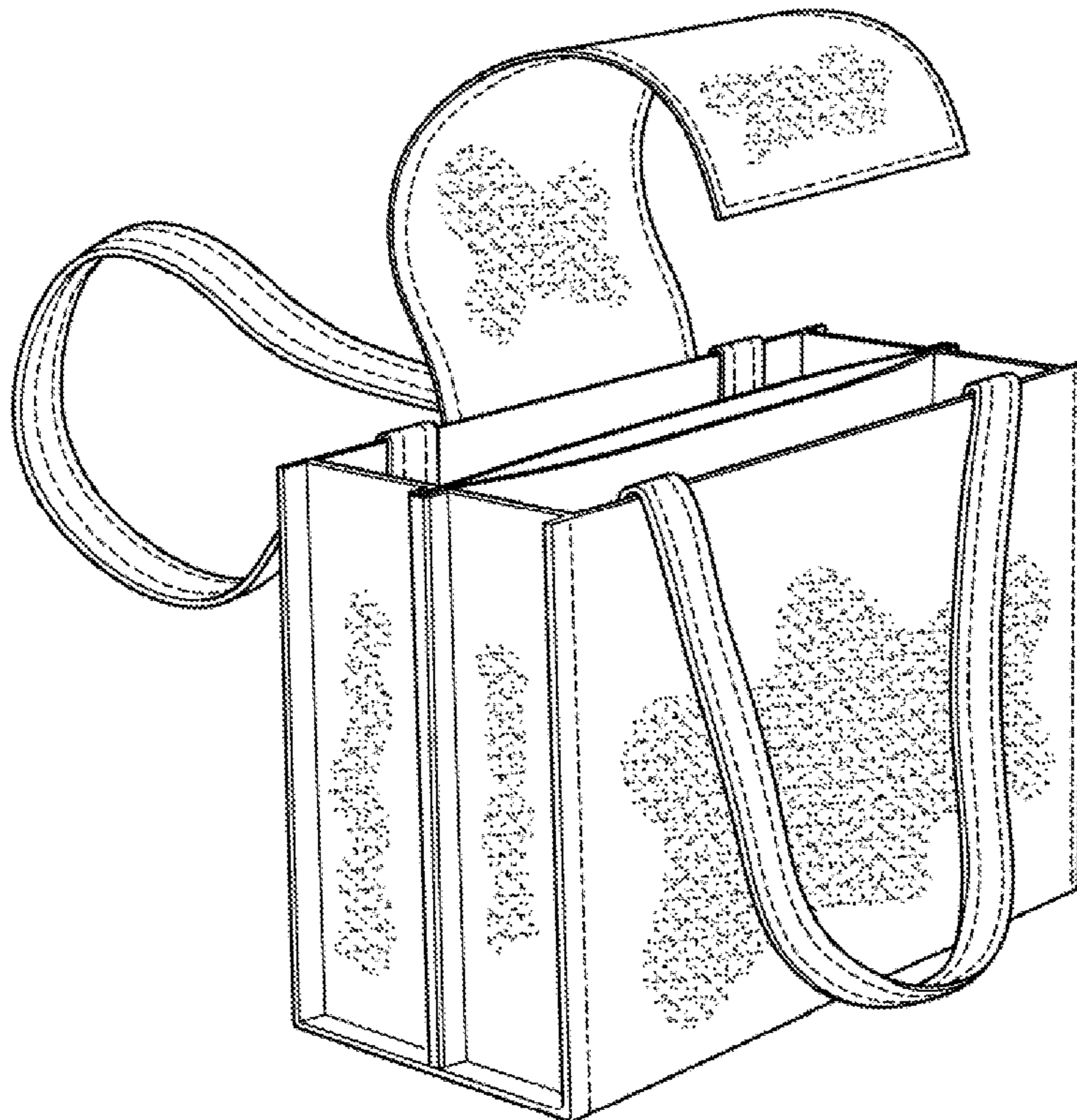
FIG. 7 is bottom view of the tote bag with cover flap and divided interior;

FIG. 8 is top plan view of the tote bag with cover flap and divided interior, showing the tote bag fully expanded and open; and,

FIG. 9 is top plan view of the tote bag with cover flap and divided interior, showing the tote bag fully expanded and open.

The broken lines representing stitching are part of the claimed design.

**1 Claim, 3 Drawing Sheets**



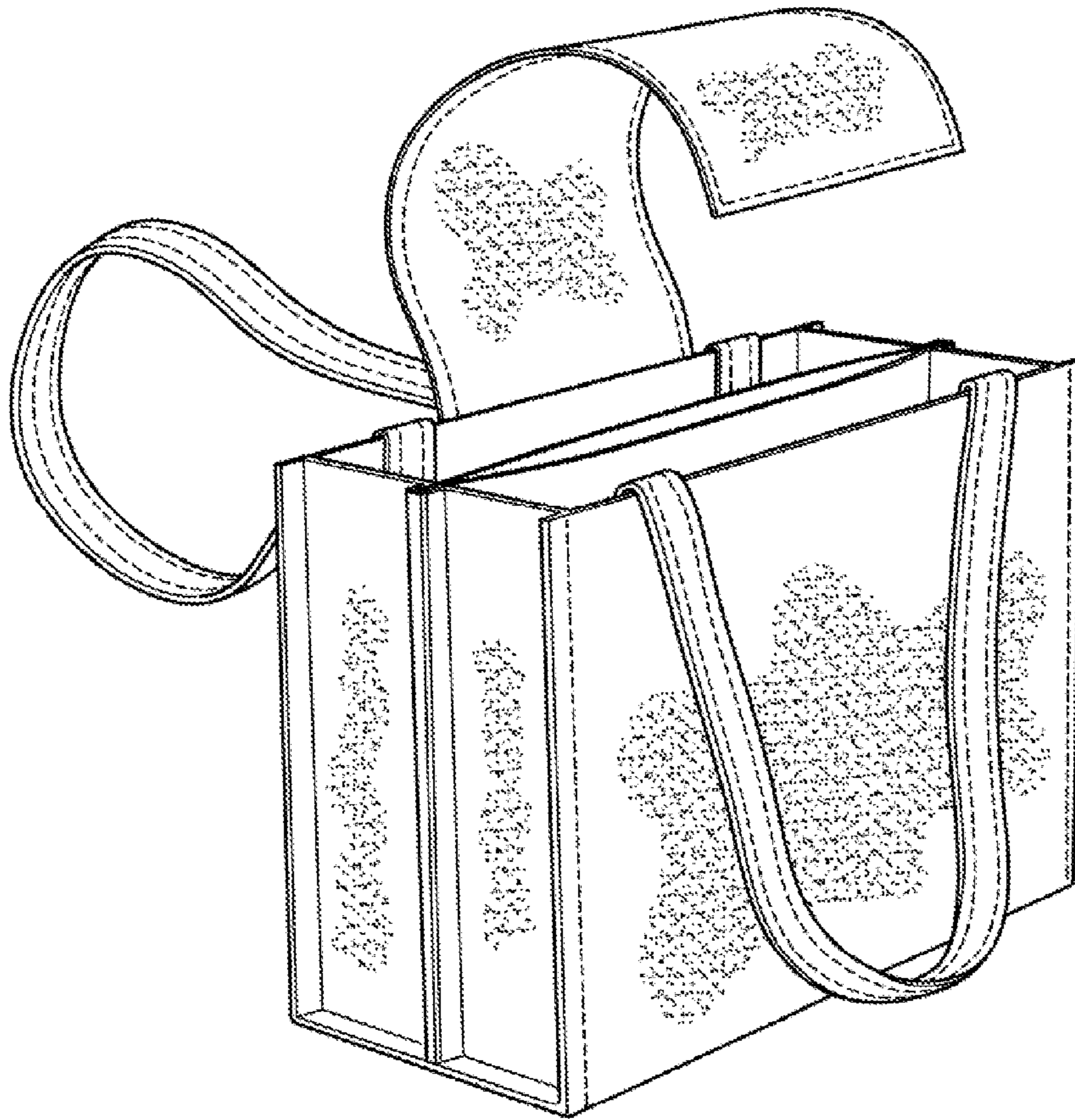


FIG. 1

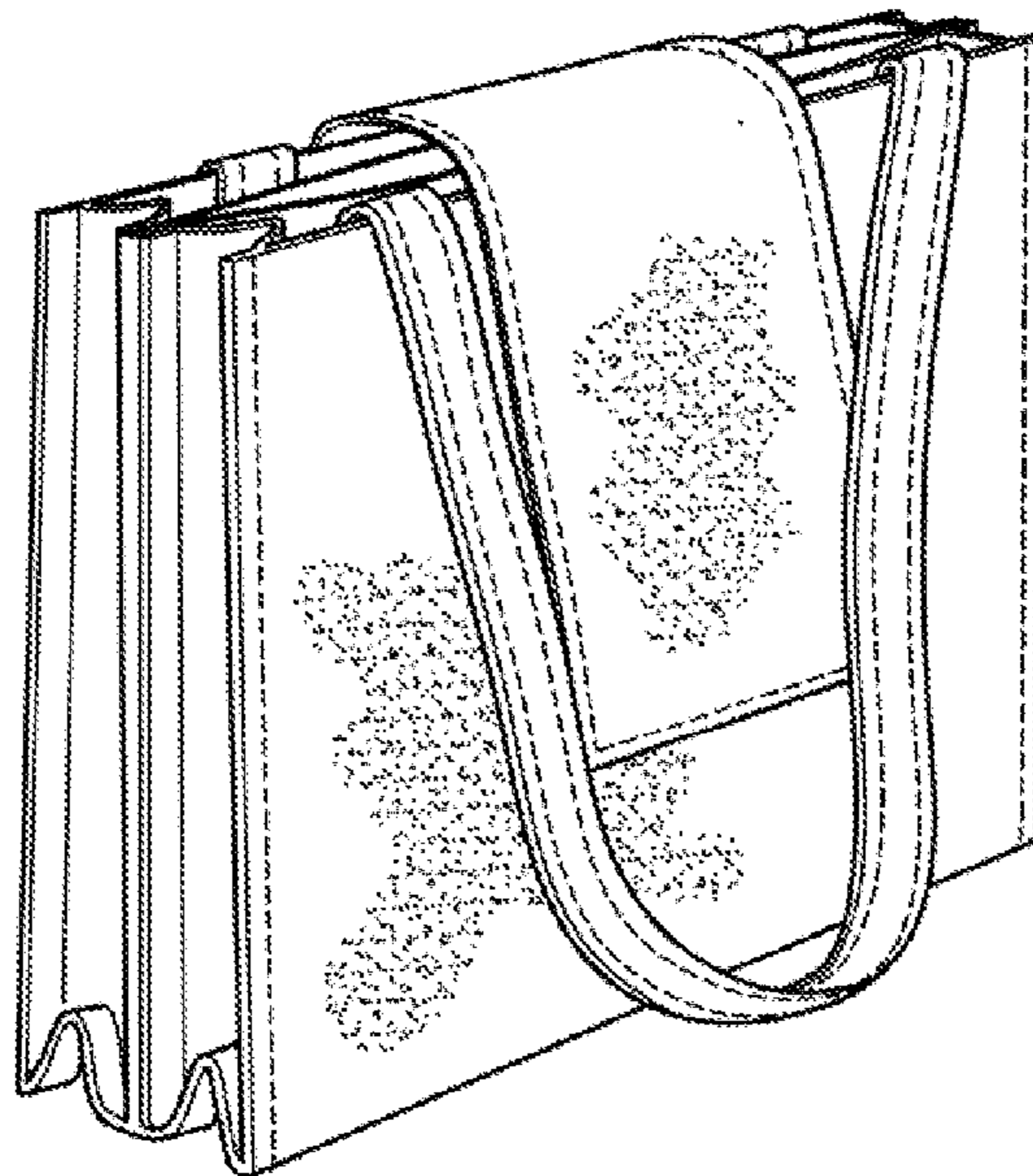


FIG. 2

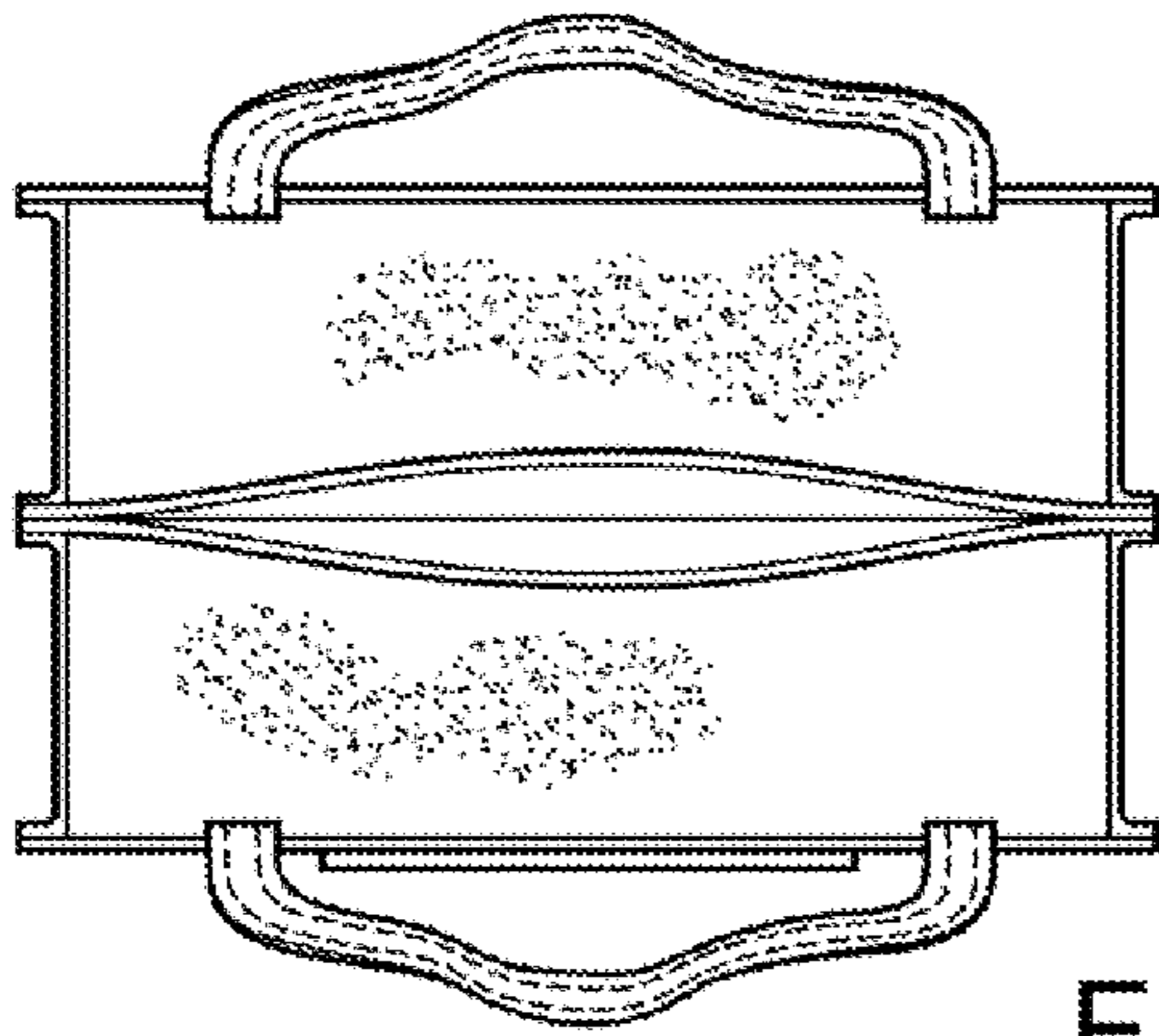


FIG. 3

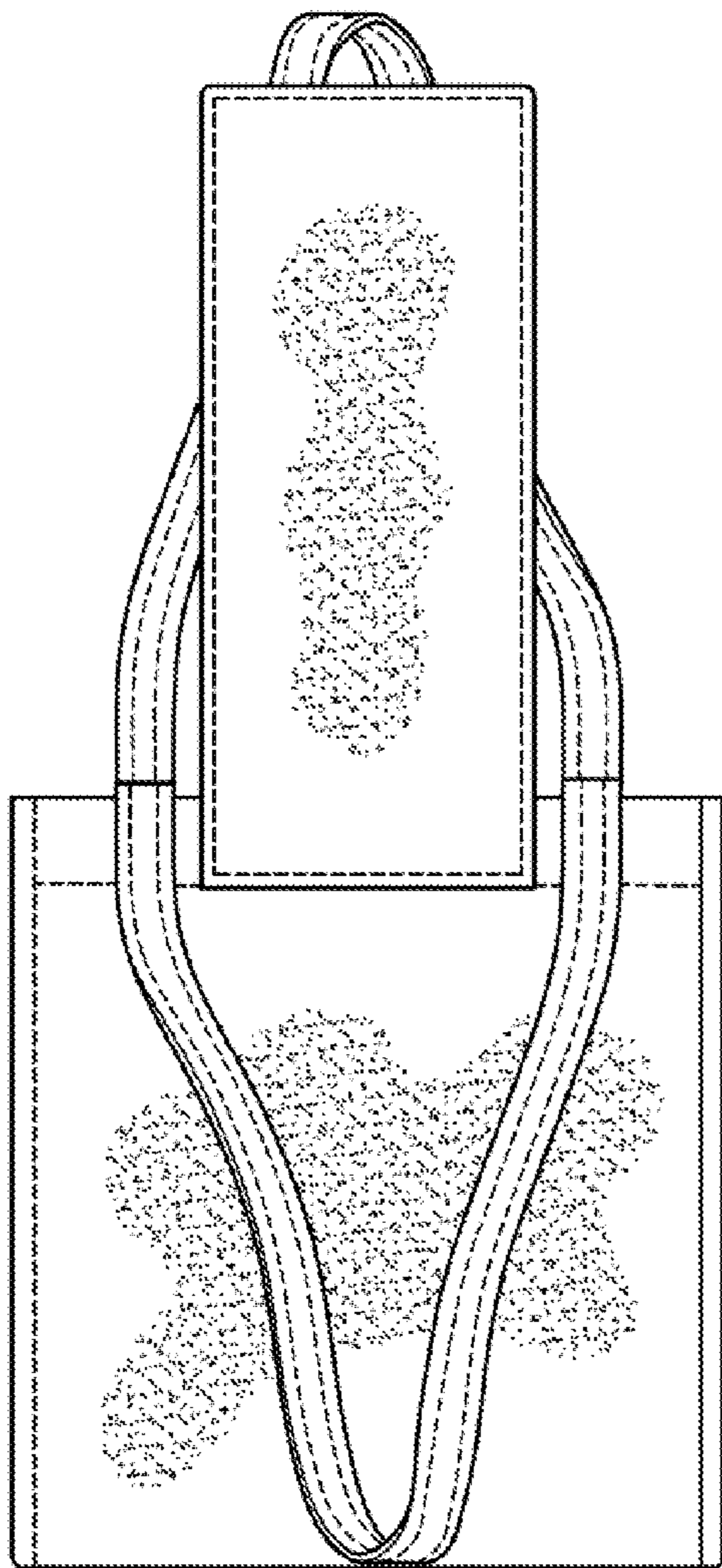


FIG. 4

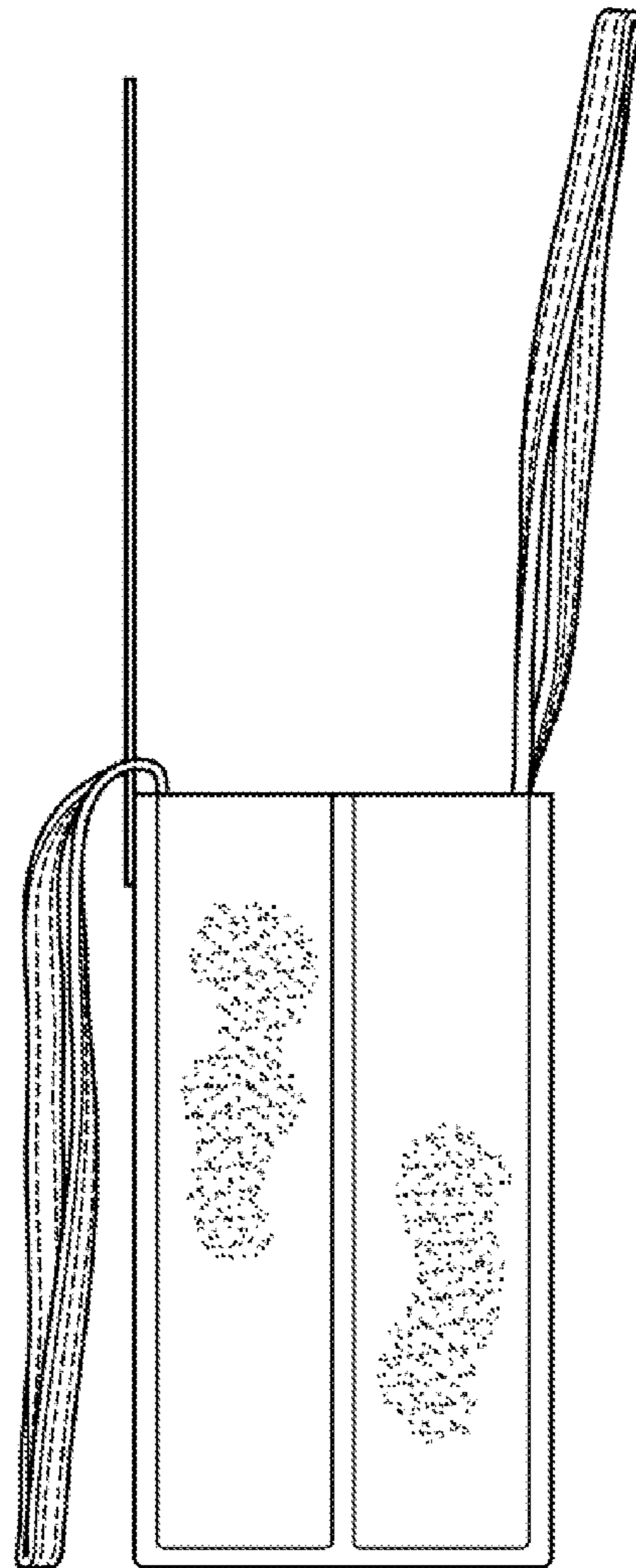


FIG. 5

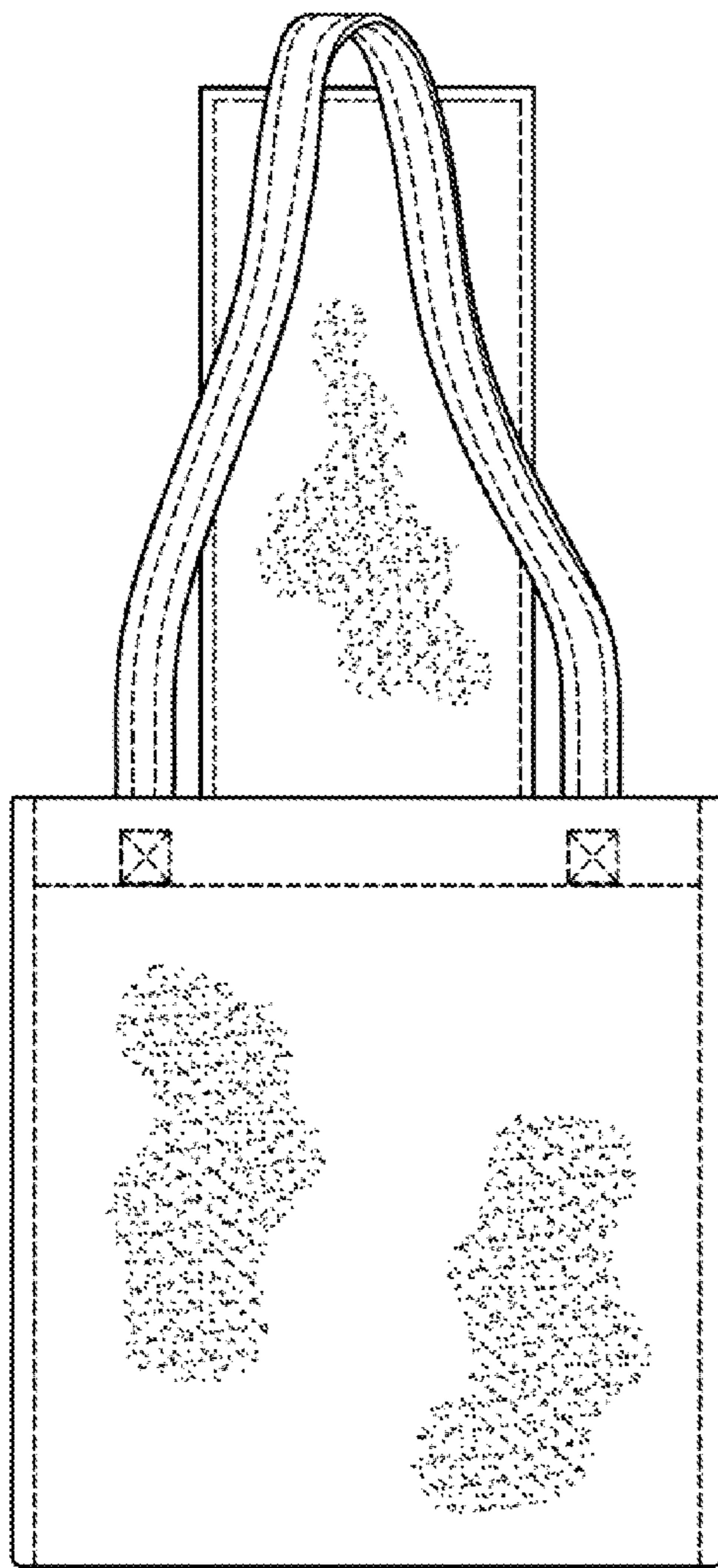


FIG. 6

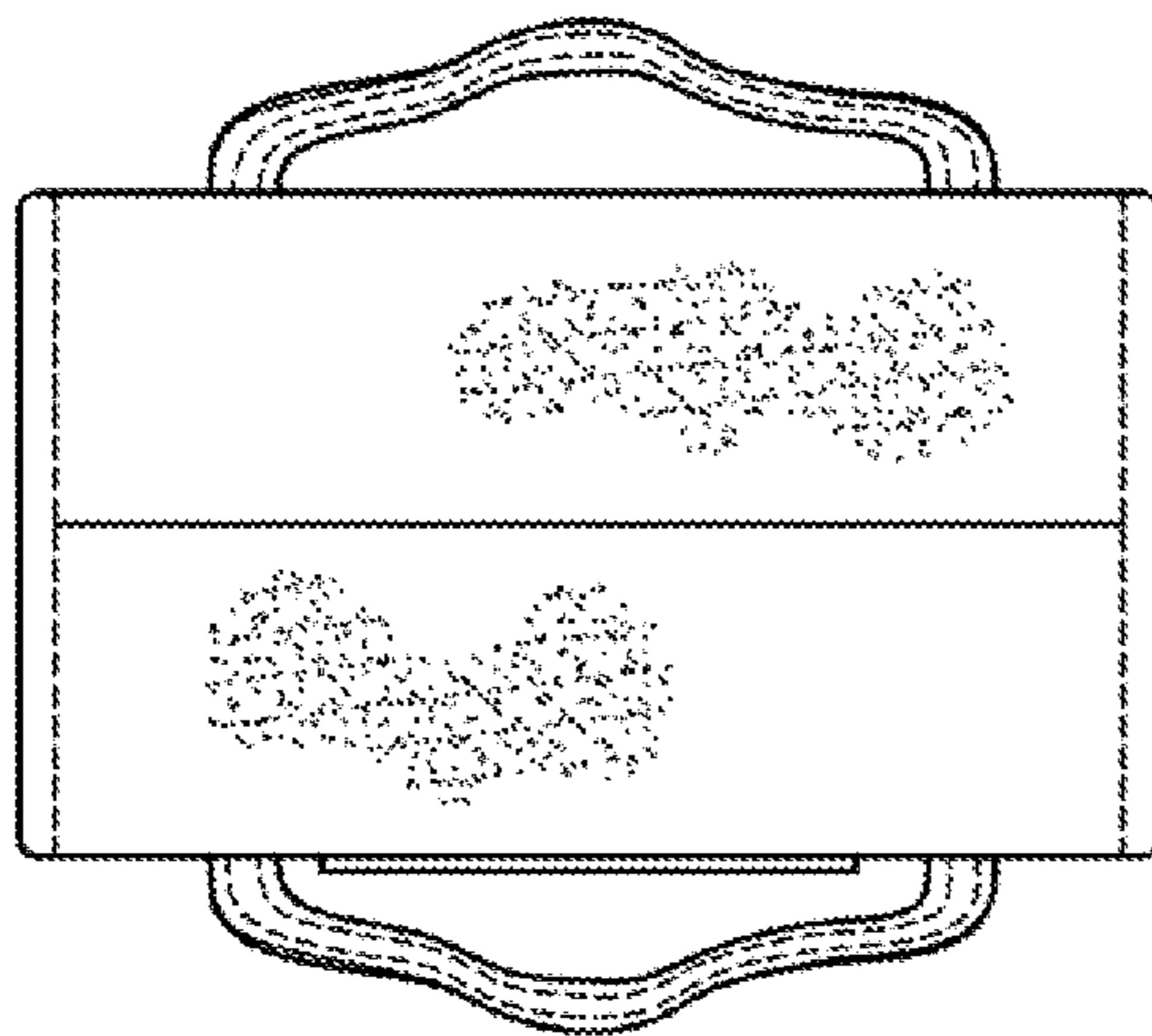


FIG. 7

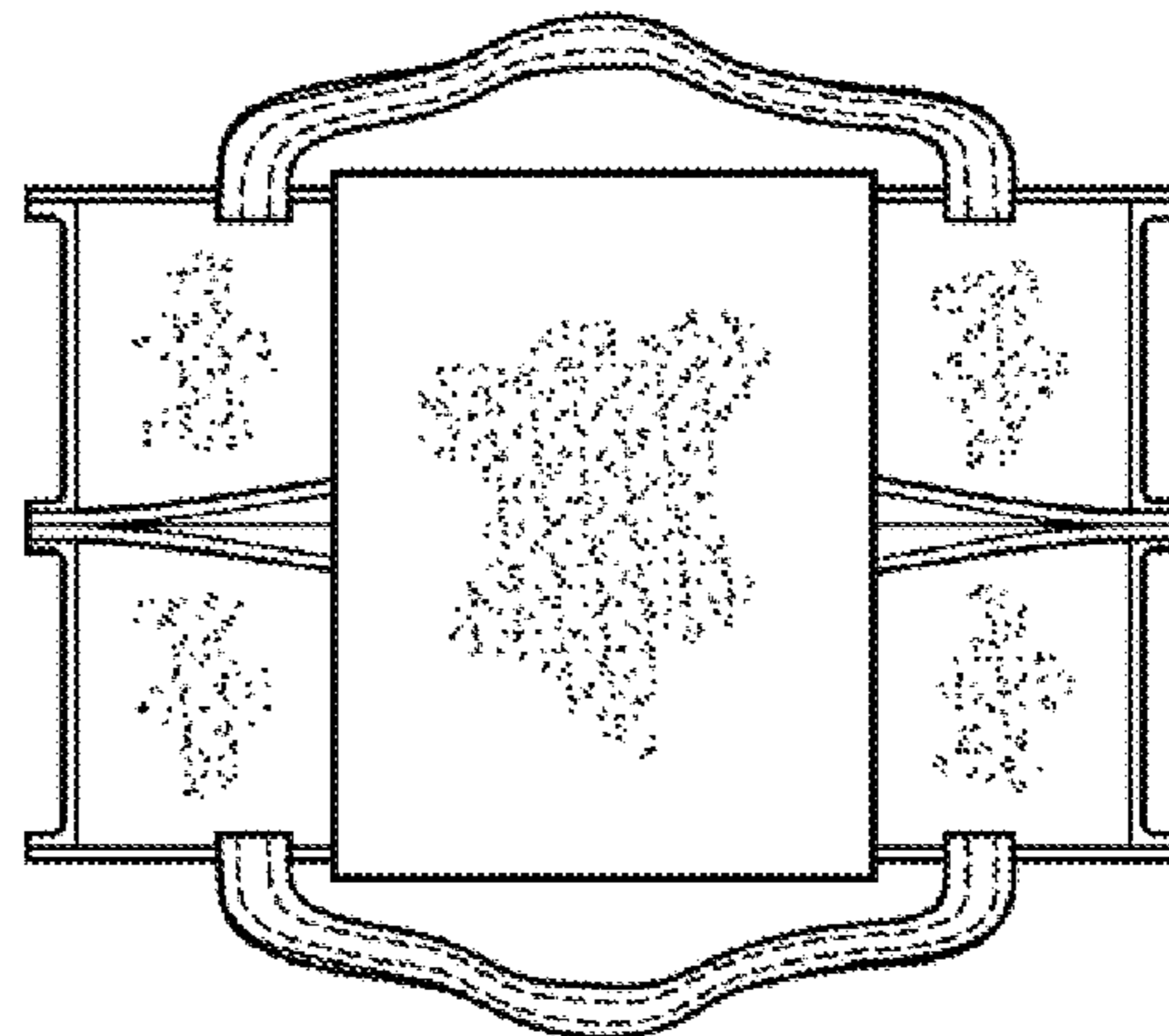


FIG. 8

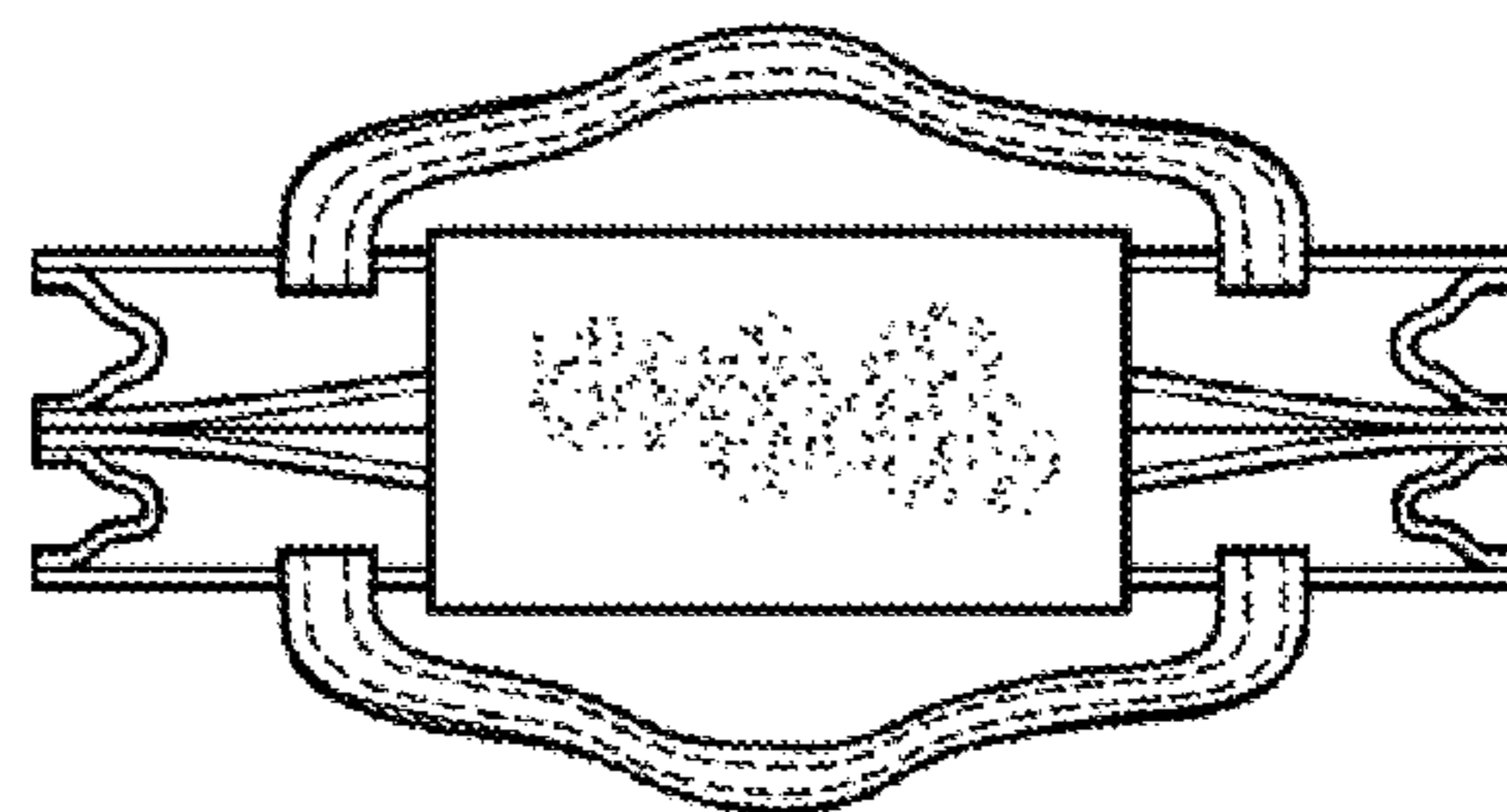


FIG. 9