



US00D670886S

(12) **United States Design Patent**  
**Yamada**

(10) **Patent No.:** **US D670,886 S**

(45) **Date of Patent:** **\*\* \*Nov. 20, 2012**

(54) **SNACK FOOD**

(75) Inventor: **Kaoru Yamada**, Osaka (JP)

(73) Assignee: **Otsuka Pharmaceutical Co., Ltd.** (JP)

(\*) Notice: This patent is subject to a terminal disclaimer.

(\*\*) Term: **14 Years**

(21) Appl. No.: **29/384,761**

(22) Filed: **Feb. 3, 2011**

(30) **Foreign Application Priority Data**

Nov. 16, 2010 (JP) ..... 2010-027522

(51) **LOC (9) Cl.** ..... **01-01**

(52) **U.S. Cl.** ..... **D1/128**

(58) **Field of Classification Search** ..... D1/100-199;  
D30/160; D21/385-386; D24/101-104;  
D28/8.1; D11/90; 426/3-6, 76, 87, 89, 94-95,  
426/100-104, 122, 128, 136, 138-139, 144,  
426/249, 274, 293, 302, 305-307, 383, 438-442,  
426/464-474, 460, 450-451, 496-497, 502-504,  
426/512, 515-518, 543, 557, 549-550, 556,  
426/559, 514, 660, 623, 619, 805, 806, 808,  
426/499, 572; 493/140, 152, 155, 157, 901,  
493/902; 40/310; 2/60, 98, 116, 123-124,  
2/127, 129, 136, 141.1, 155; 249/137, 117  
See application file for complete search history.

(56) **References Cited**

**U.S. PATENT DOCUMENTS**

D16,848 S \* 8/1886 Stauffer ..... D1/128  
D19,696 S \* 3/1890 Beckstein ..... D7/354  
D38,206 S \* 8/1906 Allen ..... D13/100  
D185,389 S \* 6/1959 Popovich ..... D1/129  
D340,121 S \* 10/1993 Russell ..... D1/199

D412,537 S \* 8/1999 Underwood ..... D21/373  
D416,373 S \* 11/1999 Doyle et al. .... D1/199  
D466,671 S \* 12/2002 Trancik ..... D1/199  
D543,006 S \* 5/2007 Cocco et al. .... D1/199  
D568,576 S \* 5/2008 Neidle et al. .... D1/102  
D581,627 S \* 12/2008 Young et al. .... D1/123  
D601,690 S \* 10/2009 Hodges ..... D24/102  
D605,773 S \* 12/2009 Jodaikin et al. .... D24/180  
D607,179 S \* 1/2010 Beyer et al. .... D1/199  
7,943,188 B1 \* 5/2011 Pienkos ..... 426/90

(Continued)

**FOREIGN PATENT DOCUMENTS**

CZ 33368 4/2006

(Continued)

**OTHER PUBLICATIONS**

U.S. Appl. No. 29/384,759, filed Feb. 3, 2011, entitled "Snack Food", along with Preliminary Amendment filed Feb. 23, 2011.

(Continued)

*Primary Examiner* — Barbara Fox

(74) *Attorney, Agent, or Firm* — SAIDMAN DesignLaw Group

(57) **CLAIM**

The ornamental design for a snack food, as shown and described.

**DESCRIPTION**

FIG. 1 is a front view of a snack food showing my new design, the rear view being identical;

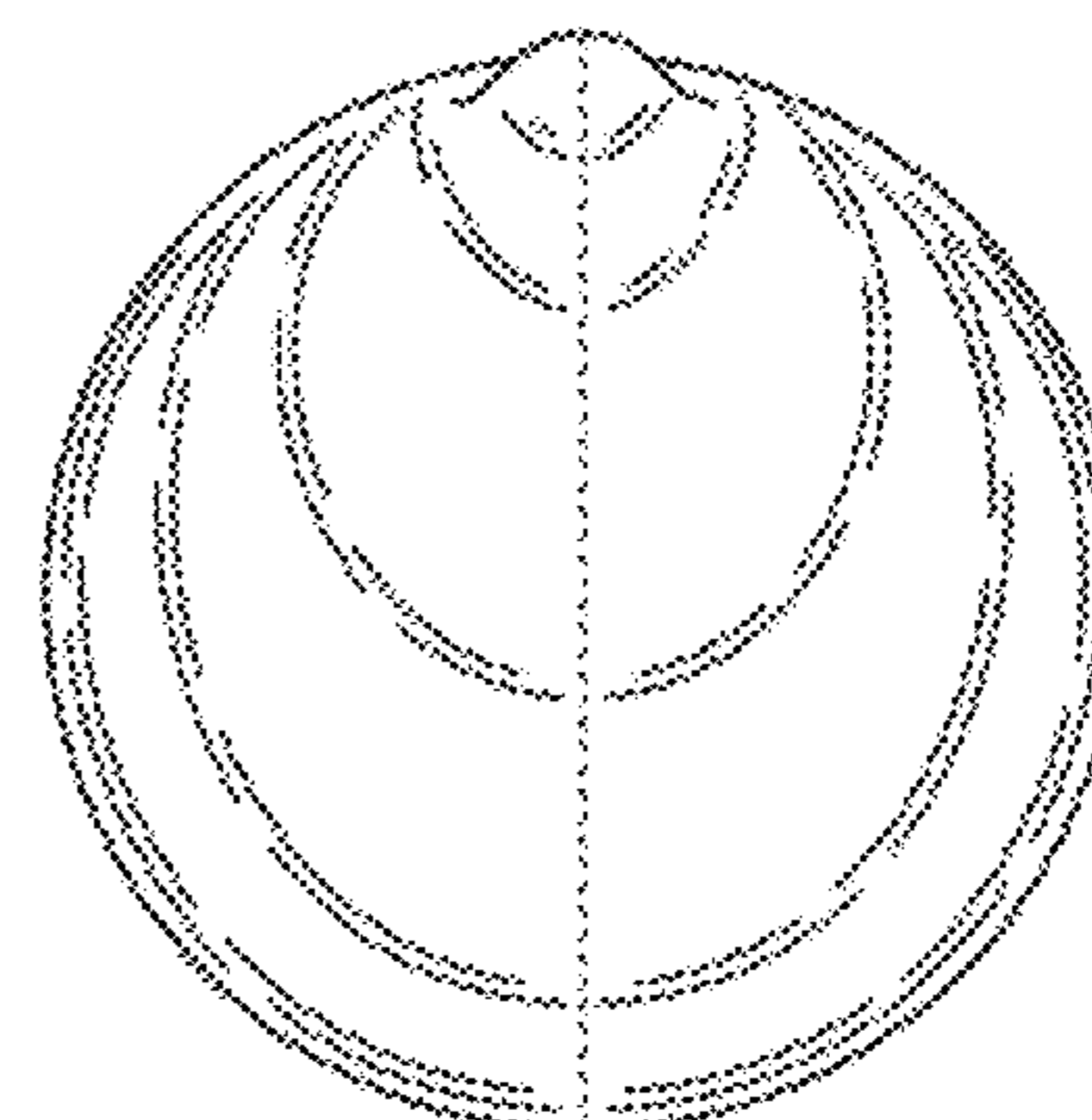
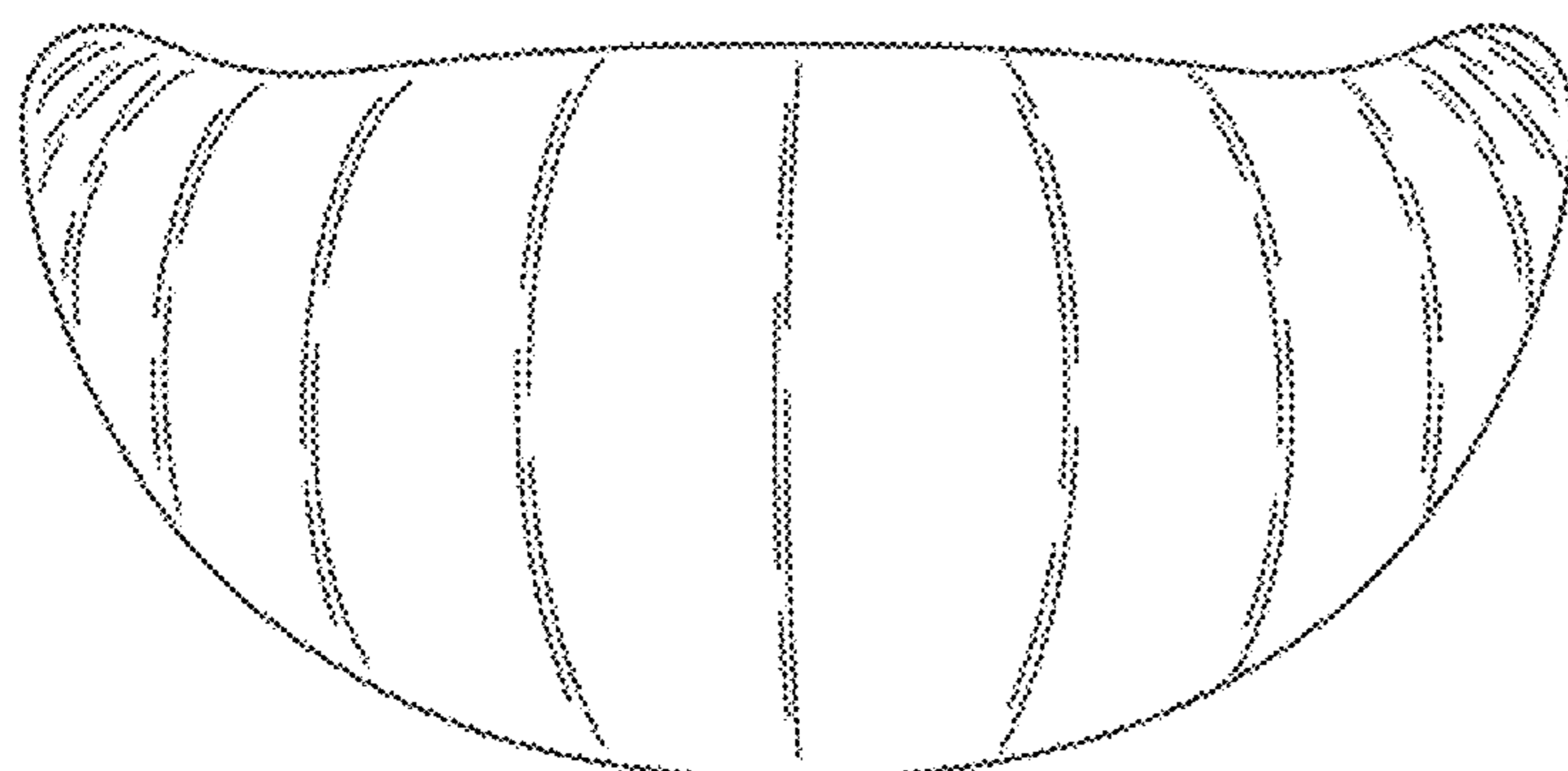
FIG. 2 is a right-side view thereof, the left-side view being identical;

FIG. 3 is a top view thereof; and,

FIG. 4 is a bottom view thereof.

The broken lines illustrate portions of the snack food and form no part of the claimed design.

**1 Claim, 2 Drawing Sheets**



# US D670,886 S

Page 2

---

## U.S. PATENT DOCUMENTS

2005/0214437 A1\* 9/2005 Cocco et al. .... 426/615

## FOREIGN PATENT DOCUMENTS

WO DM/052365 6/2010

## OTHER PUBLICATIONS

U.S. Appl. No. 29/384,760, filed Feb. 3, 2011, entitled "Snack Food",

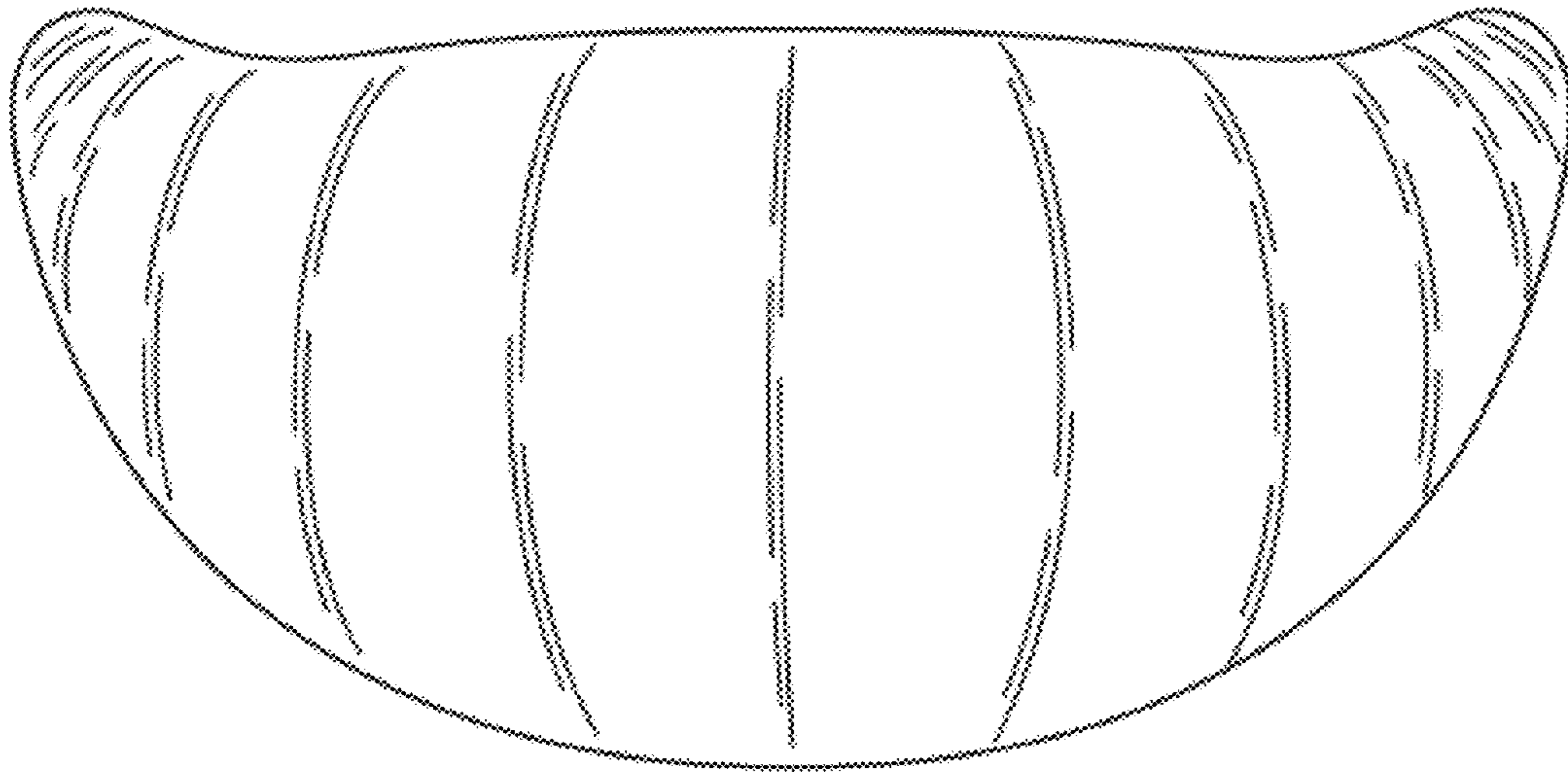
along with Preliminary Amendment filed Feb. 23, 2011.

U.S. Appl. No. 29/397,762, filed Jul. 20, 2011, entitled "Snack Food".

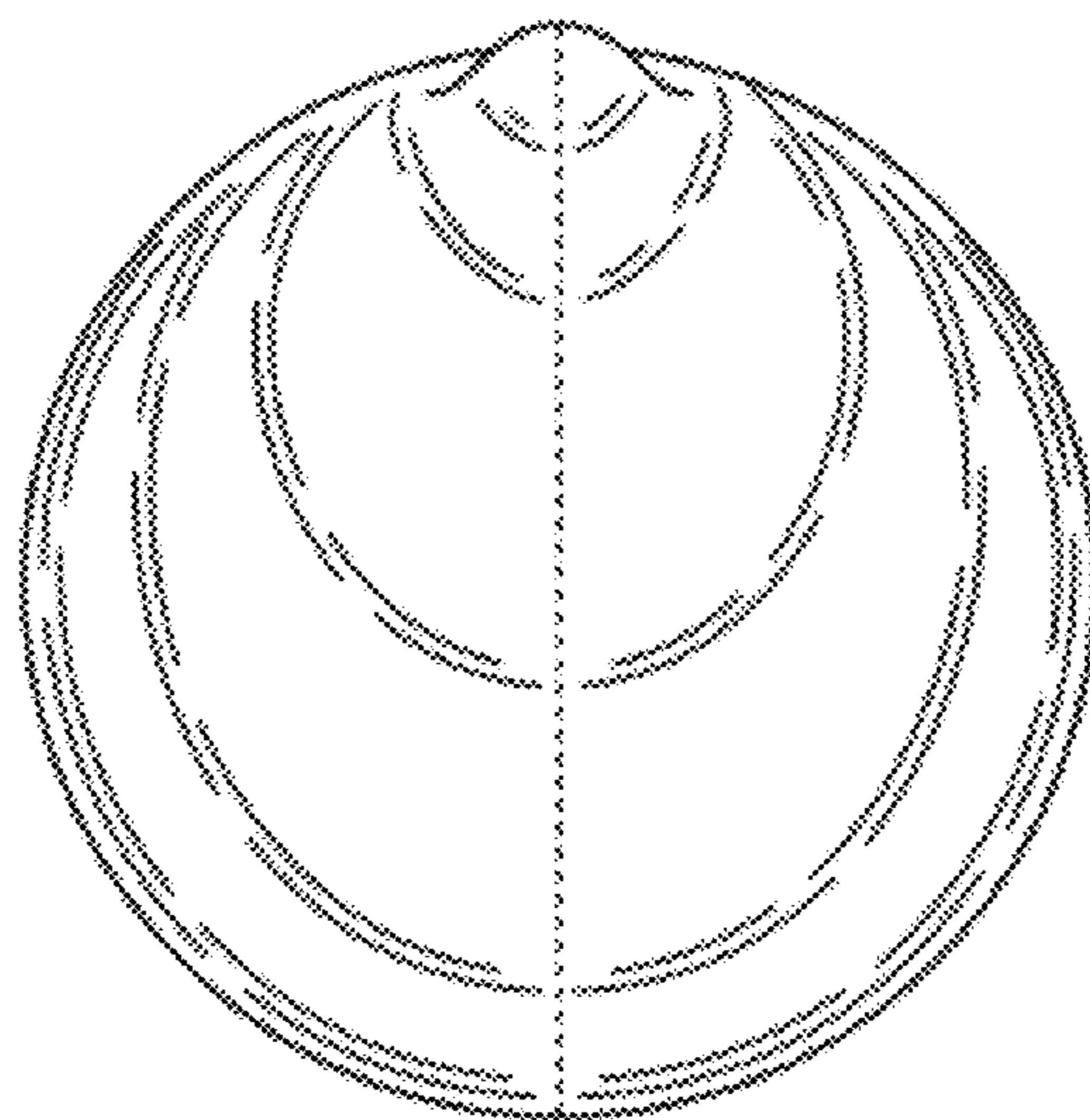
U.S. Appl. No. 29/397,749, filed Jul. 20, 2011, entitled "Snack Food".

Korean design publication No. 698, published by the Korean Patent Office, made publicly available on Jun. 2, 1988.

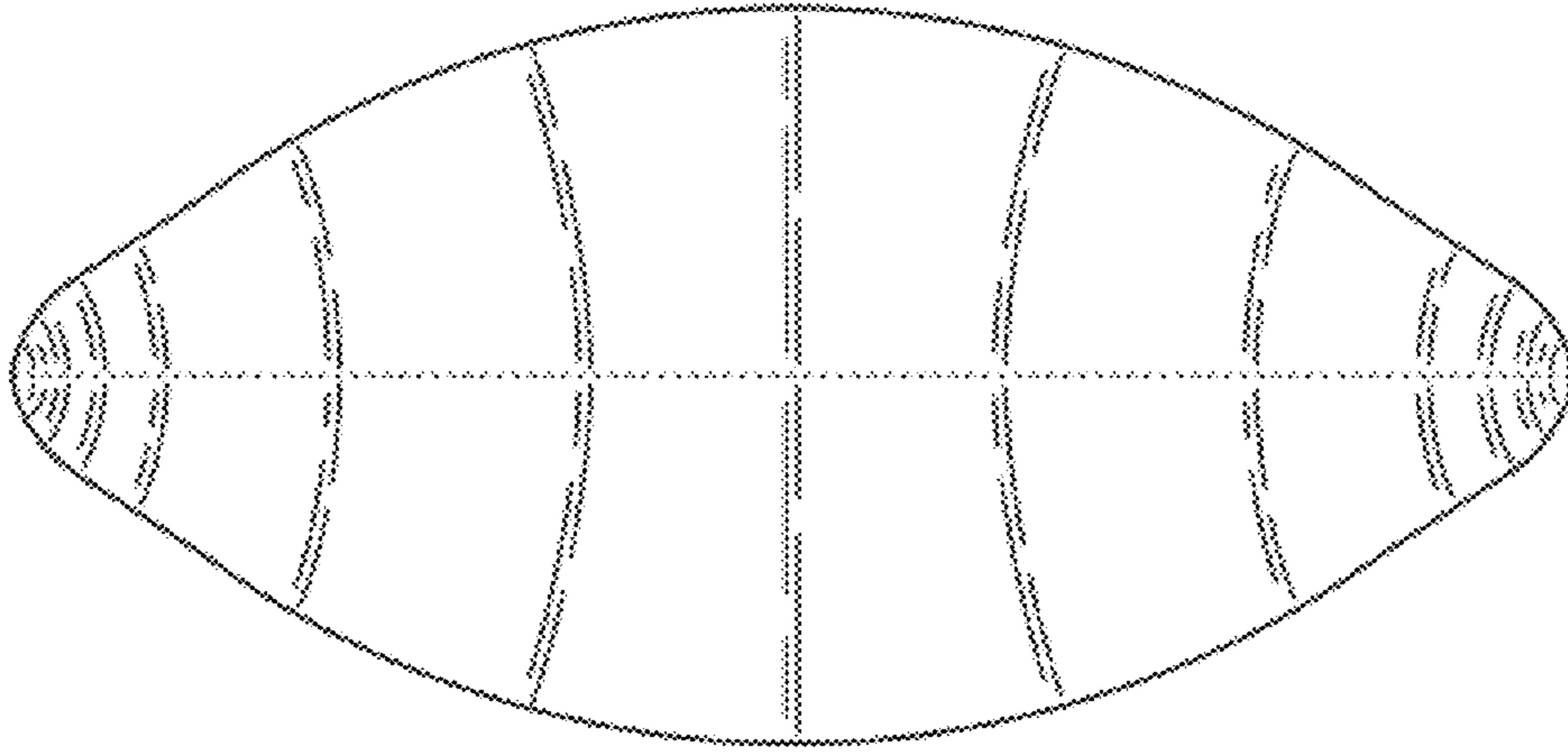
\* cited by examiner



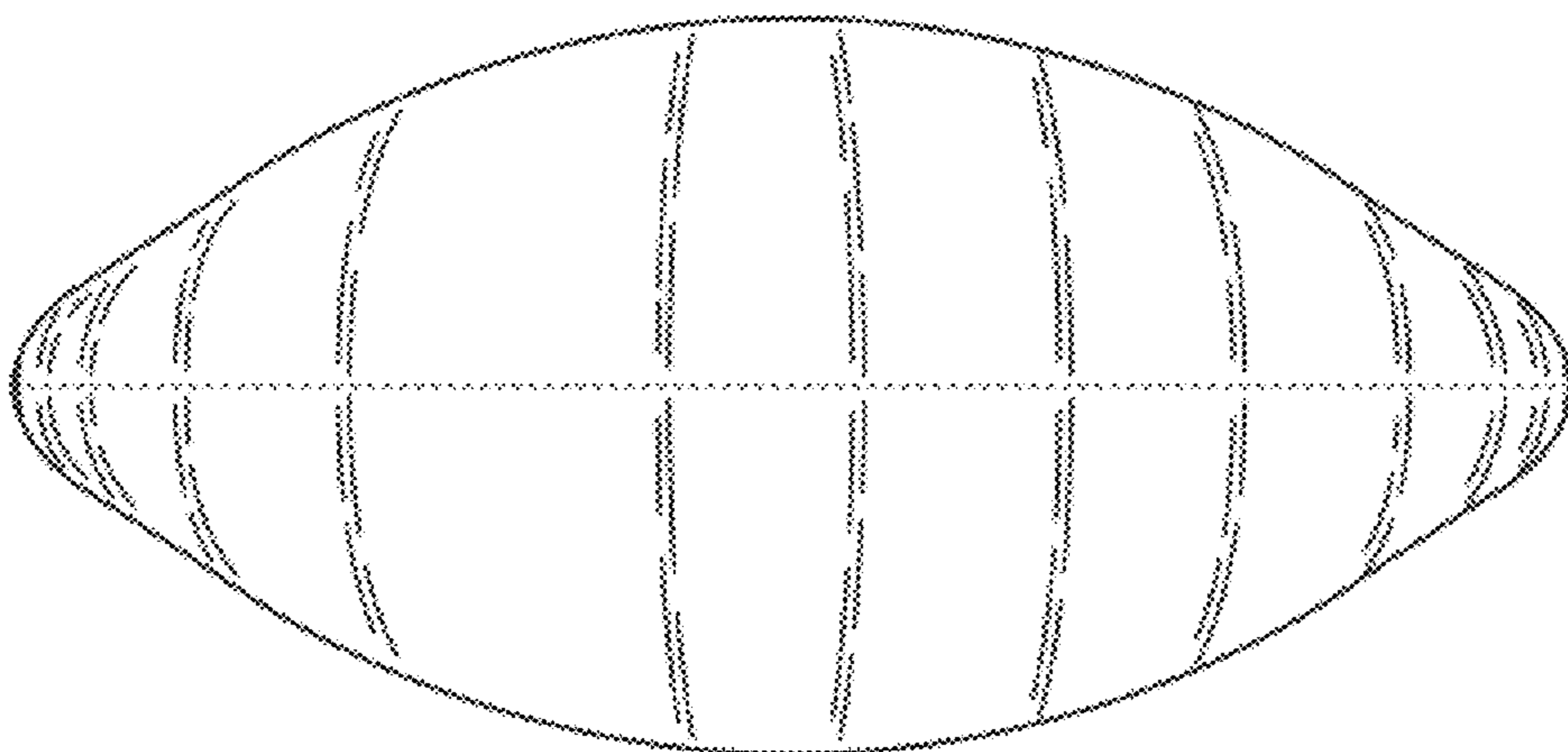
**Fig. 1**



**Fig. 2**



*Fig. 3*



*Fig. 4*