



US00D670885S

(12) **United States Design Patent**  
**Merrick**

(10) **Patent No.:** **US D670,885 S**

(45) **Date of Patent:** **\*\* Nov. 13, 2012**

- (54) **GOLD BAR SHAPED COIN BANK**
- (76) Inventor: **Victor Merrick**, Melbourne (AU)
- (\*\*) Term: **14 Years**
- (21) Appl. No.: **29/416,402**
- (22) Filed: **Mar. 21, 2012**
- (51) **LOC (9) Cl.** ..... **03-01**
- (52) **U.S. Cl.** ..... **D99/37**
- (58) **Field of Classification Search** ..... D99/28,  
D99/34, 35, 36, 37, 99; D18/3.1, 3.3, 12.1;  
232/1 D, 1 R, 55, 56, 64; 53/212, 213; 206/0.8,  
206/0.81, 0.815, 0.82, 0.83, 0.84; 453/3,  
453/39, 58, 63  
See application file for complete search history.

D266,199 S *	9/1982	Schattner et al. ....	D99/28
D332,513 S	1/1993	Haung	
D350,005 S *	8/1994	Casher .....	D99/37
D354,831 S *	1/1995	Anderson .....	D99/35
D390,332 S	2/1998	Searls	
D418,962 S *	1/2000	Timms .....	D99/37
D481,190 S *	10/2003	Coffey .....	D99/37
D492,083 S *	6/2004	Coffey .....	D99/37
D493,913 S *	8/2004	Kwok .....	D27/141
D507,375 S	7/2005	Lin	
D509,940 S *	9/2005	Quinones .....	D99/37
D610,463 S *	2/2010	Duchaufour-Lawrance ..	D9/687
D635,324 S *	3/2011	Plato .....	D99/28
D643,301 S *	8/2011	Consylman .....	D9/600

\* cited by examiner

*Primary Examiner* — Elizabeth J Oswecki

(57) **CLAIM**

The ornamental design for a gold bar shaped coin bank, as shown and described.

**DESCRIPTION**

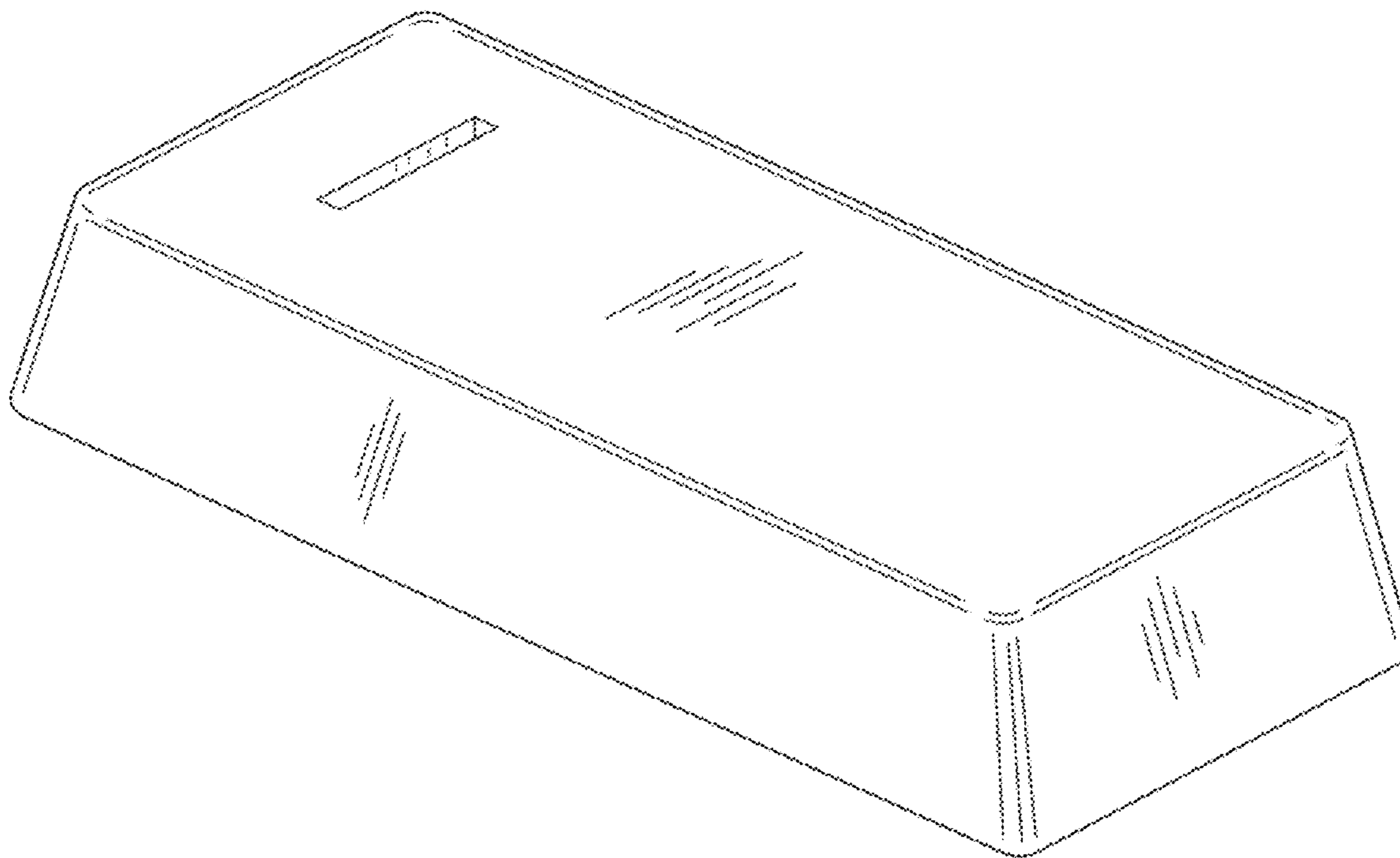
FIG. 1 is a front elevation view of a gold bar shaped coin bank showing my new design, the opposite side being a mirror image of the front elevation view;  
 FIG. 2 is a right side elevation view thereof, the opposite side being a mirror image of the right side elevation view;  
 FIG. 3 is a top plan view thereof;  
 FIG. 4 is a bottom plan view thereof; and,  
 FIG. 5 is an isometric view thereof.

**1 Claim, 3 Drawing Sheets**

(56) **References Cited**

**U.S. PATENT DOCUMENTS**

D54,763 S *	3/1920	Nutry .....	D99/37
D129,939 S *	10/1941	Kodama .....	D99/36
D134,278 S *	11/1942	Johnston .....	D99/37
2,330,363 A *	9/1943	Kaziska .....	65/23
D155,798 S *	11/1949	Gaulke .....	D99/36
D158,035 S *	4/1950	Anderson .....	D3/209
D160,988 S *	11/1950	Ament .....	D99/34
D169,773 S *	6/1953	Maage .....	D99/36
D178,687 S *	9/1956	Nalmon .....	D99/37
3,342,407 A *	9/1967	Riegraf .....	232/4 R
3,847,277 A	11/1974	Doner	



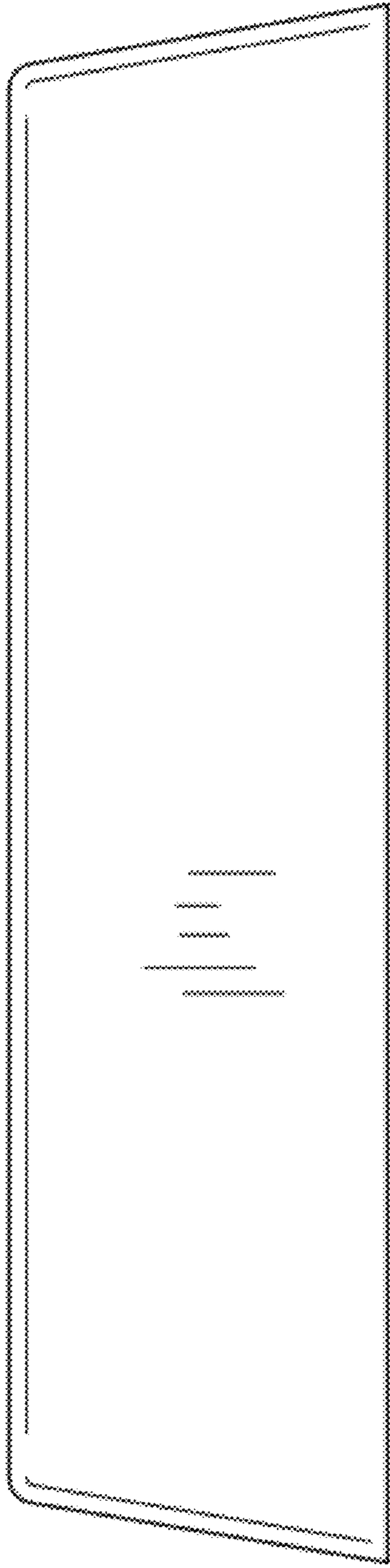


FIG. 1

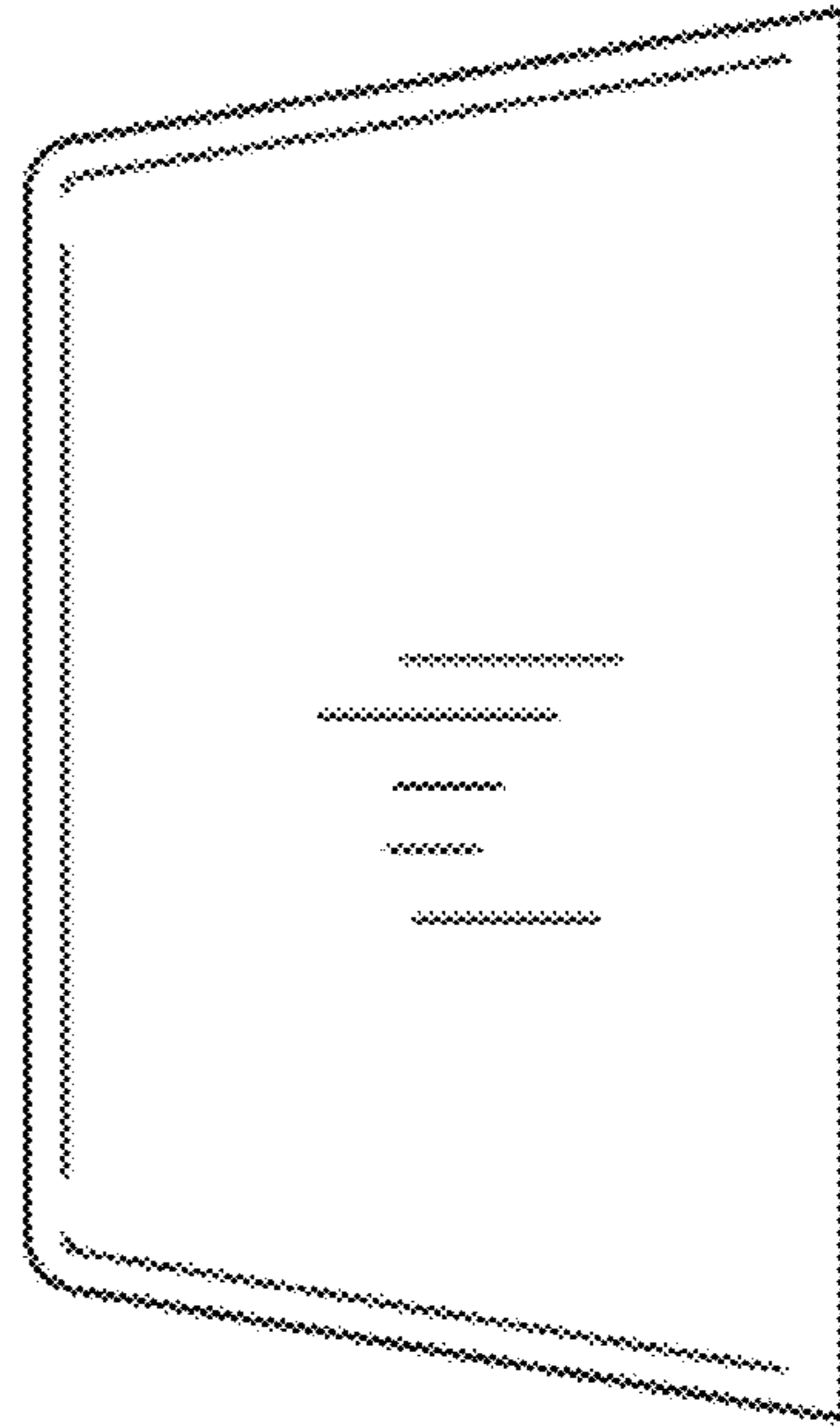


FIG. 2

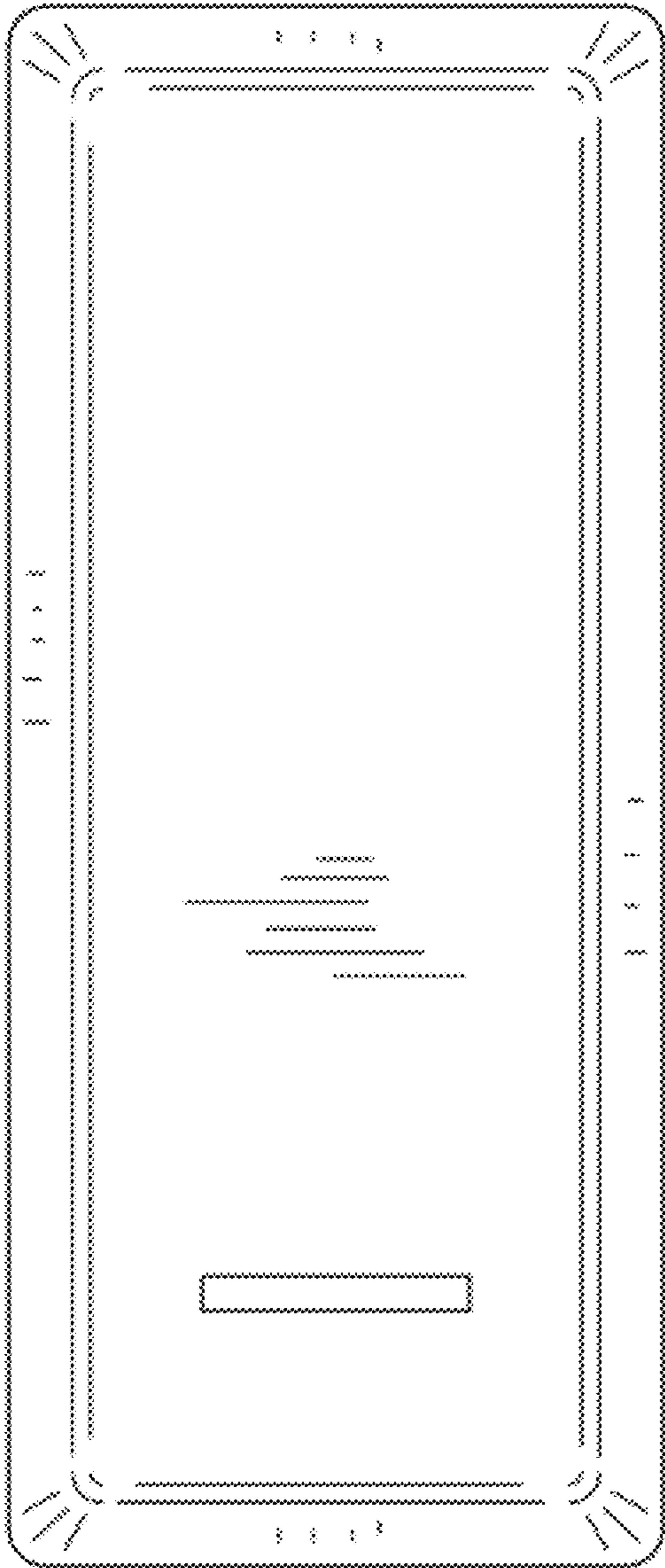


FIG. 3

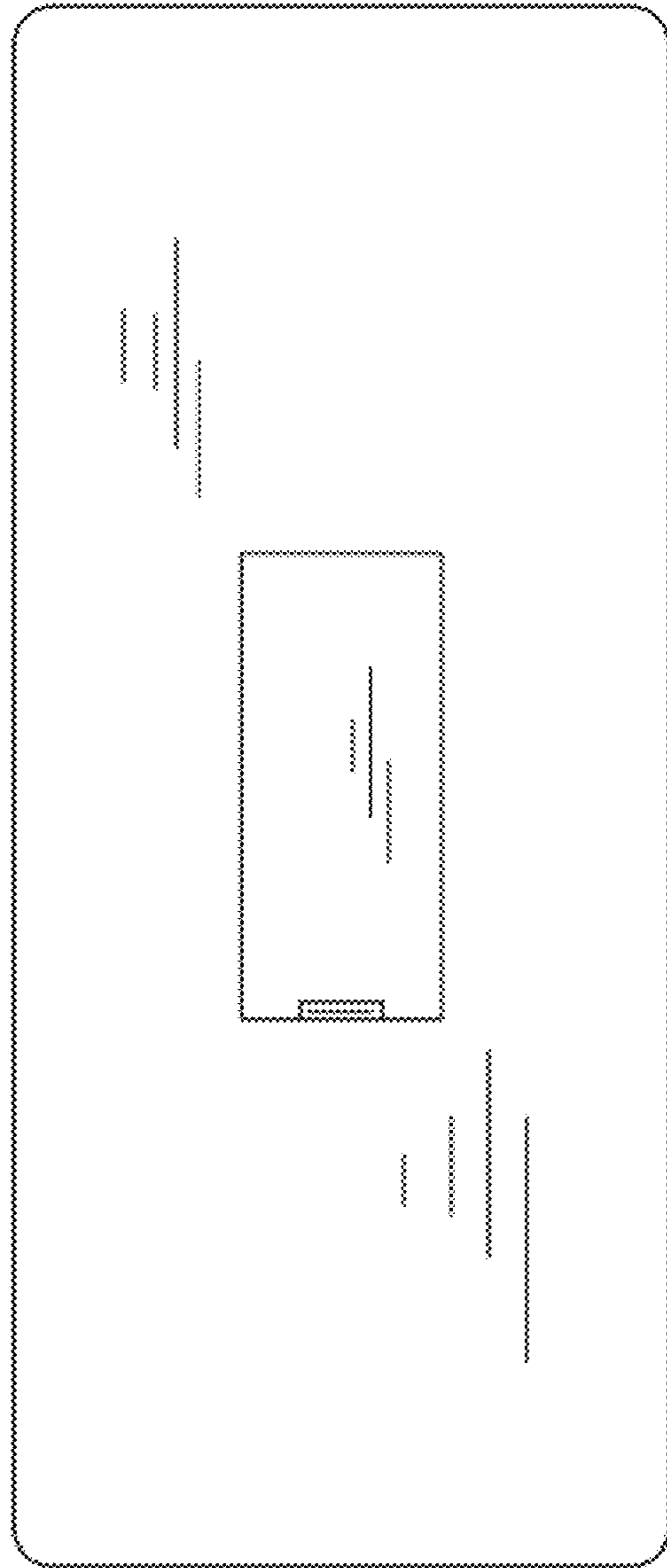


FIG. 4

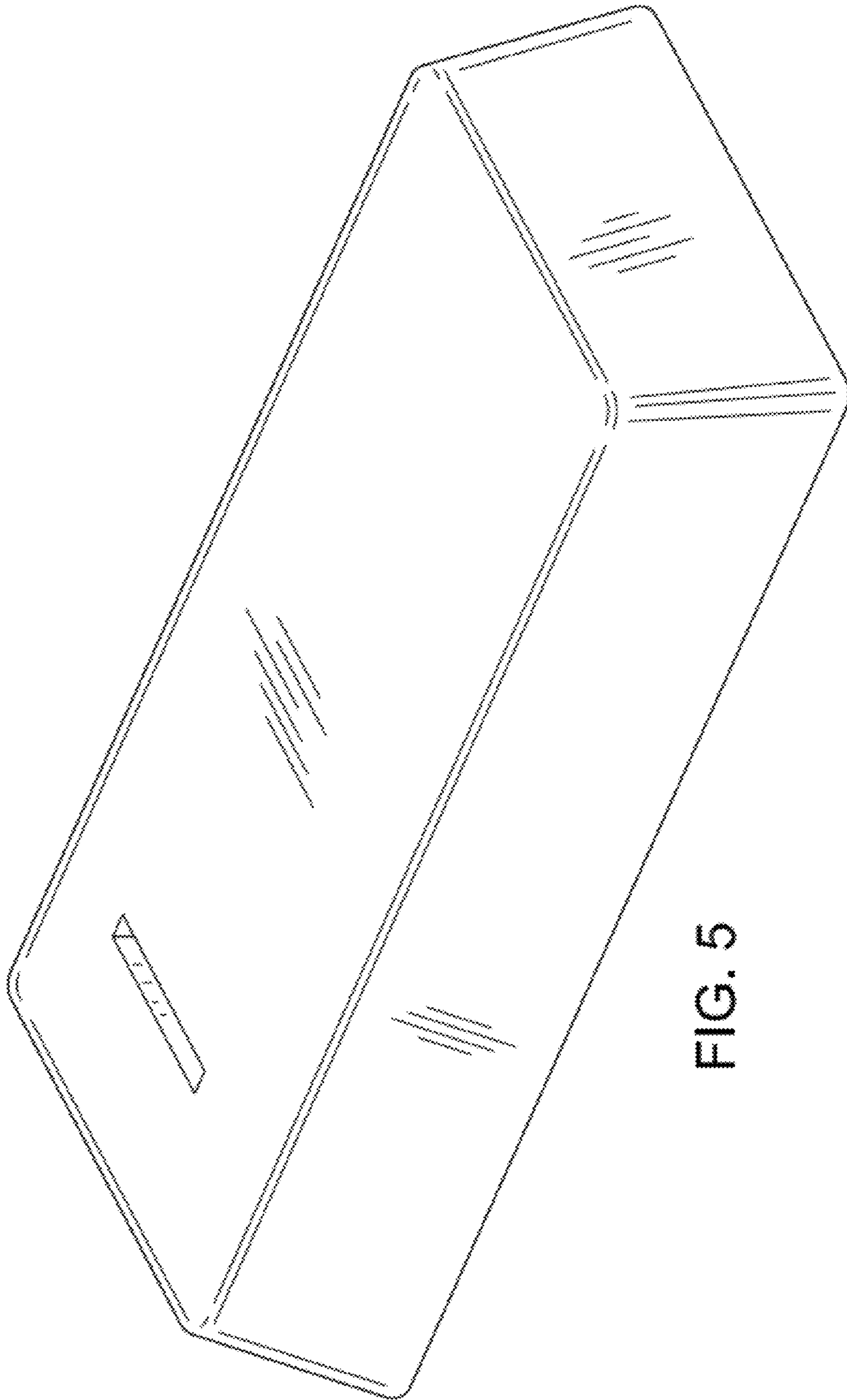


FIG. 5