



US00D670883S

(12) **United States Design Patent**  
**Poubouridis**

(10) **Patent No.:** **US D670,883 S**

(45) **Date of Patent:** **\*\* Nov. 13, 2012**

(54) **BAG STAND**

(76) Inventor: **Nikolaos Poubouridis**, Bayside, NY  
(US)

(\*\*) Term: **14 Years**

(21) Appl. No.: **29/410,771**

(22) Filed: **Jan. 12, 2012**

(51) **LOC (9) Cl.** ..... **09-09**

(52) **U.S. Cl.** ..... **D34/5**

(58) **Field of Classification Search** ..... D34/1-11;  
248/95, 97, 99, 100, 101; 141/391, 114,  
141/316; 294/1.1

See application file for complete search history.

(56) **References Cited**

**U.S. PATENT DOCUMENTS**

1,414,575	A *	5/1922	McCart	.....	248/97
4,488,697	A *	12/1984	Garvey	.....	248/101
D349,992	S *	8/1994	Brohan	.....	D34/5
D360,510	S *	7/1995	Slovak	.....	D34/5
D389,634	S *	1/1998	Shope	.....	D34/6
D399,623	S *	10/1998	Kearney	.....	D34/6
5,871,037	A *	2/1999	Feldt	.....	141/391
6,135,518	A *	10/2000	Holthaus	.....	294/214
D502,582	S *	3/2005	Boles	.....	D34/6
D513,549	S *	1/2006	Schuster	.....	D34/1

7,472,727	B1 *	1/2009	Sherrard	.....	141/316
8,047,477	B2 *	11/2011	Wilkinson	.....	248/99
2006/0032991	A1 *	2/2006	Gaines	.....	248/97

\* cited by examiner

*Primary Examiner* — Cynthia Ramirez

(74) *Attorney, Agent, or Firm* — Keusey & Associates, P.C.

(57) **CLAIM**

I claim the ornamental design for a bag stand, as shown and described.

**DESCRIPTION**

FIG. 1 is a top front perspective view of a bag stand showing my new design.

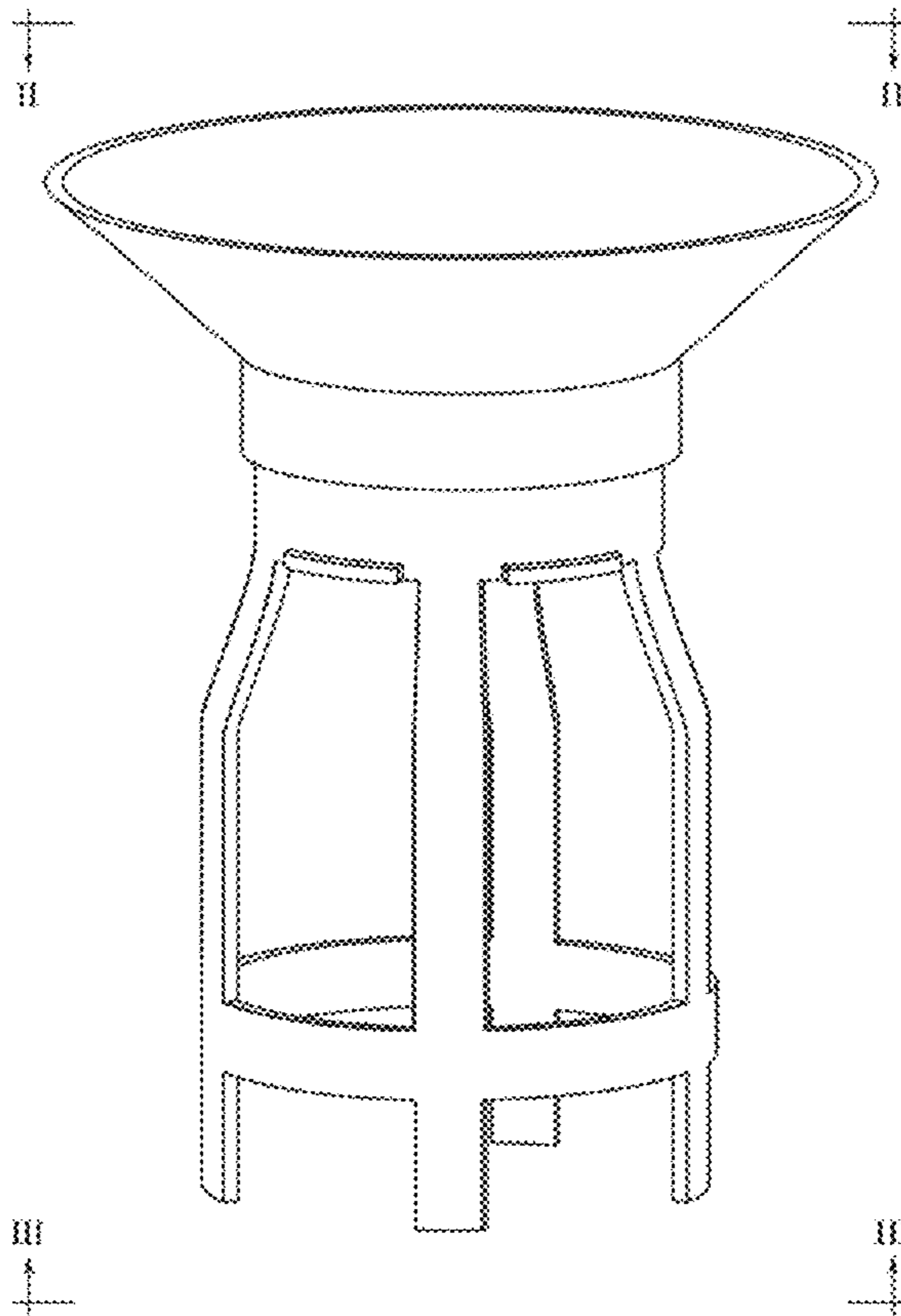
FIG. 2 is a top plan view thereof, taken along the line II-II from FIG. 1.

FIG. 3 is a bottom plan view thereof, taken along the line III-III from FIG. 1.

FIG. 4 is a front side elevational view thereof. The back side elevational, right side elevational and left side elevational views being identical to the front side elevational view.

FIG. 5 is an exploded perspective view of the bag stand; and, FIG. 6 is an exploded perspective view of the bag stand showing a bag mounted therein in dotted line. The dotted line bag is shown for environmental structure only and forms no part of the claimed design.

**1 Claim, 5 Drawing Sheets**



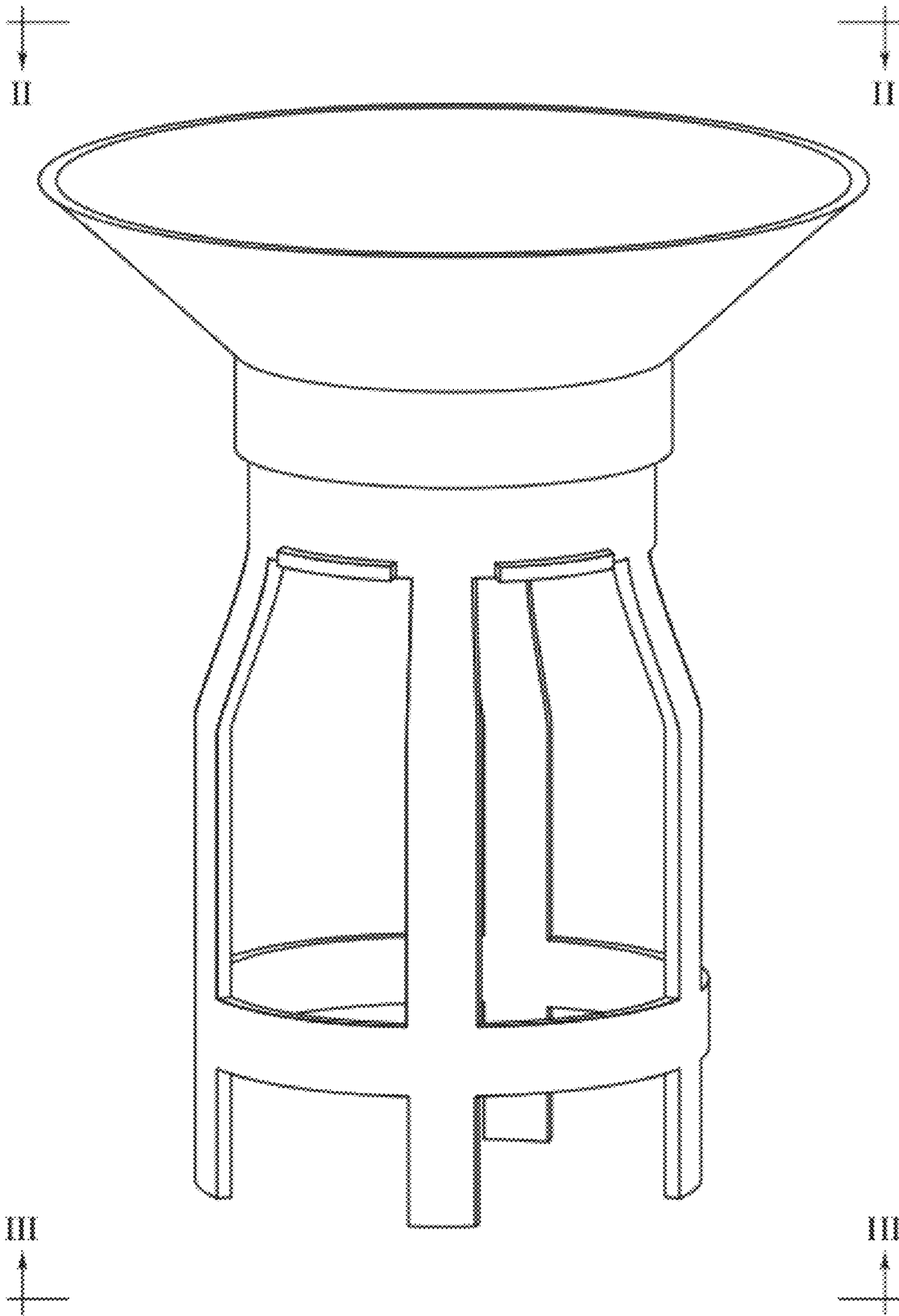


FIG. 1

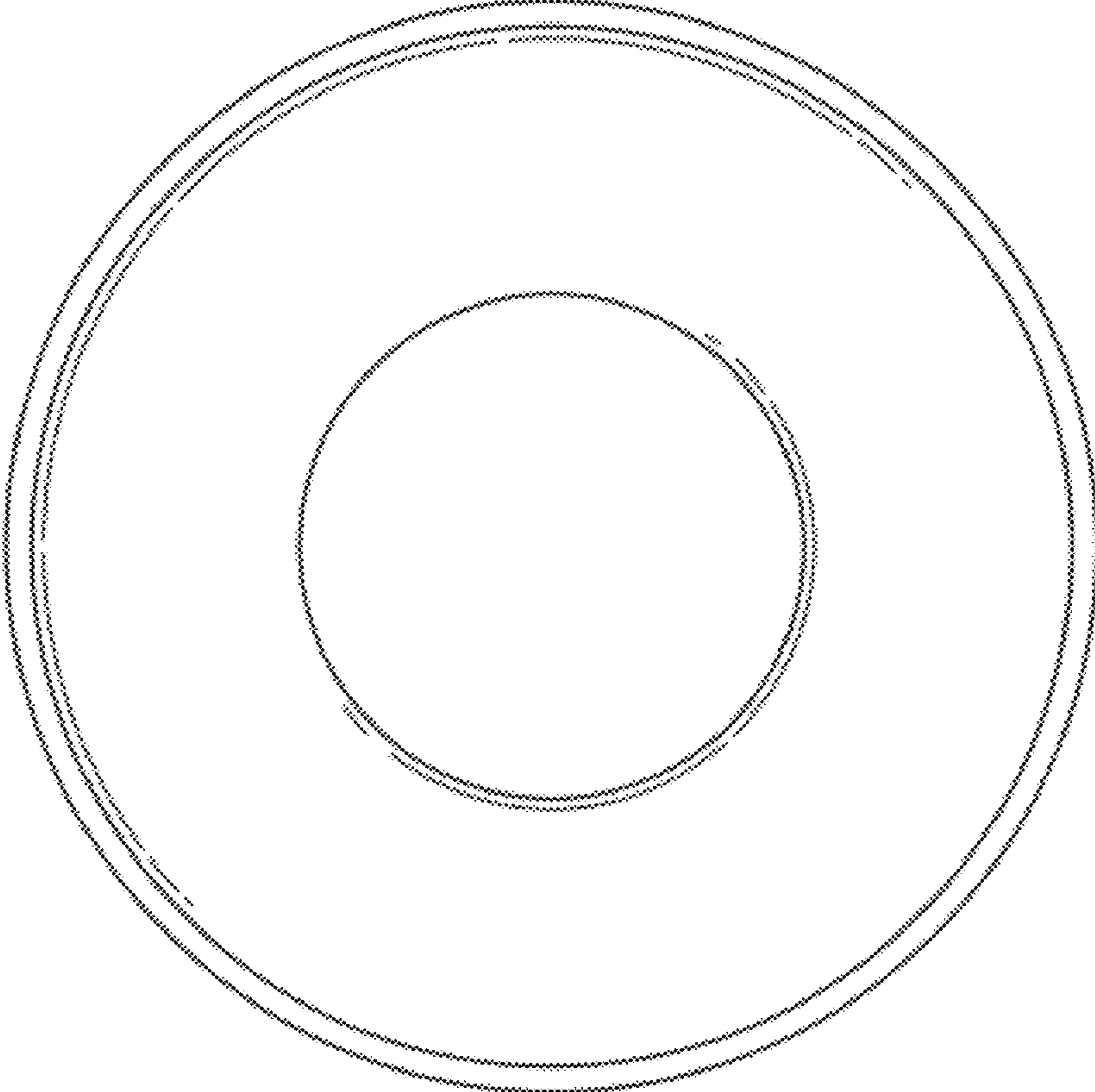


FIG. 2

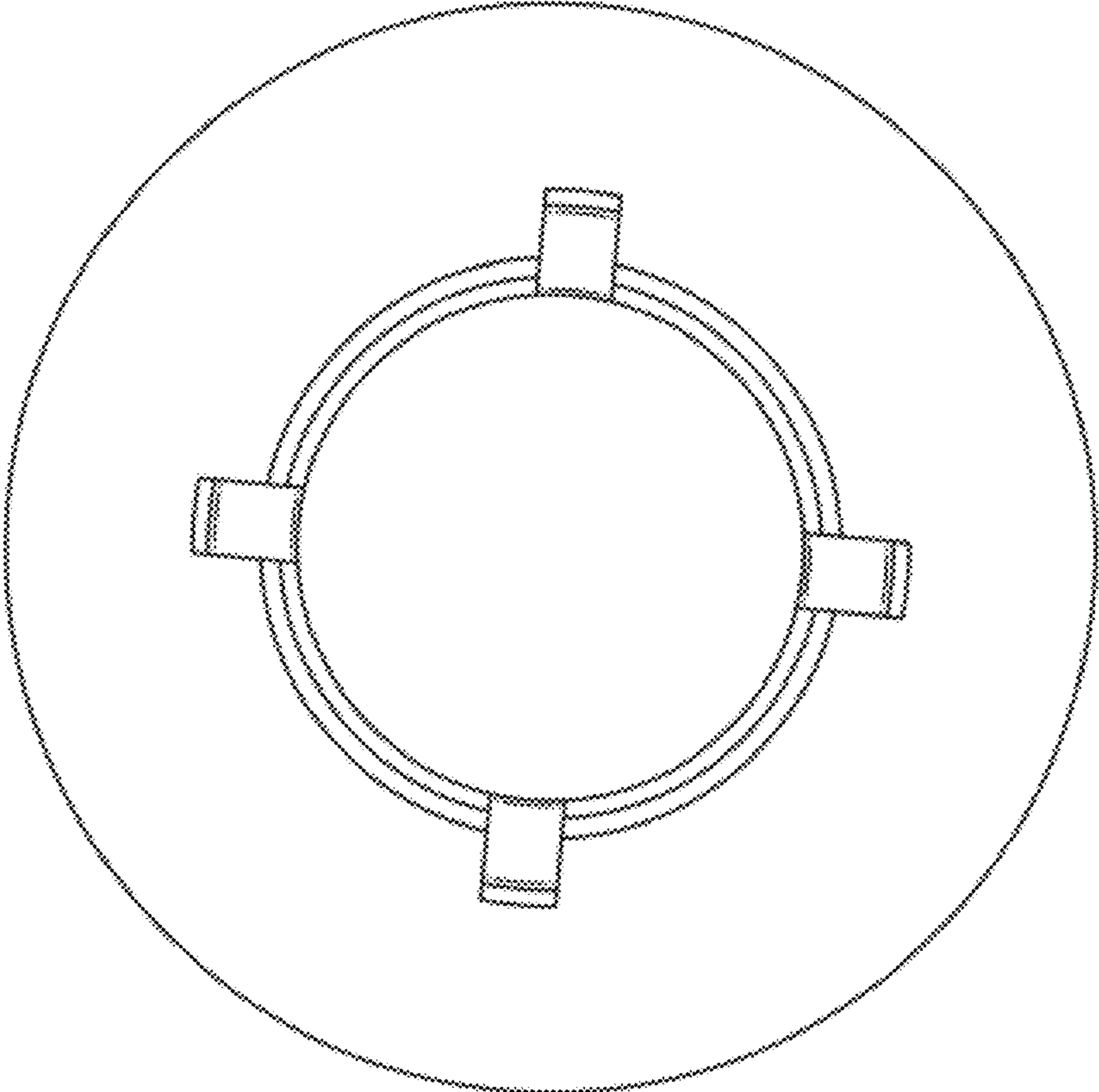


FIG. 3

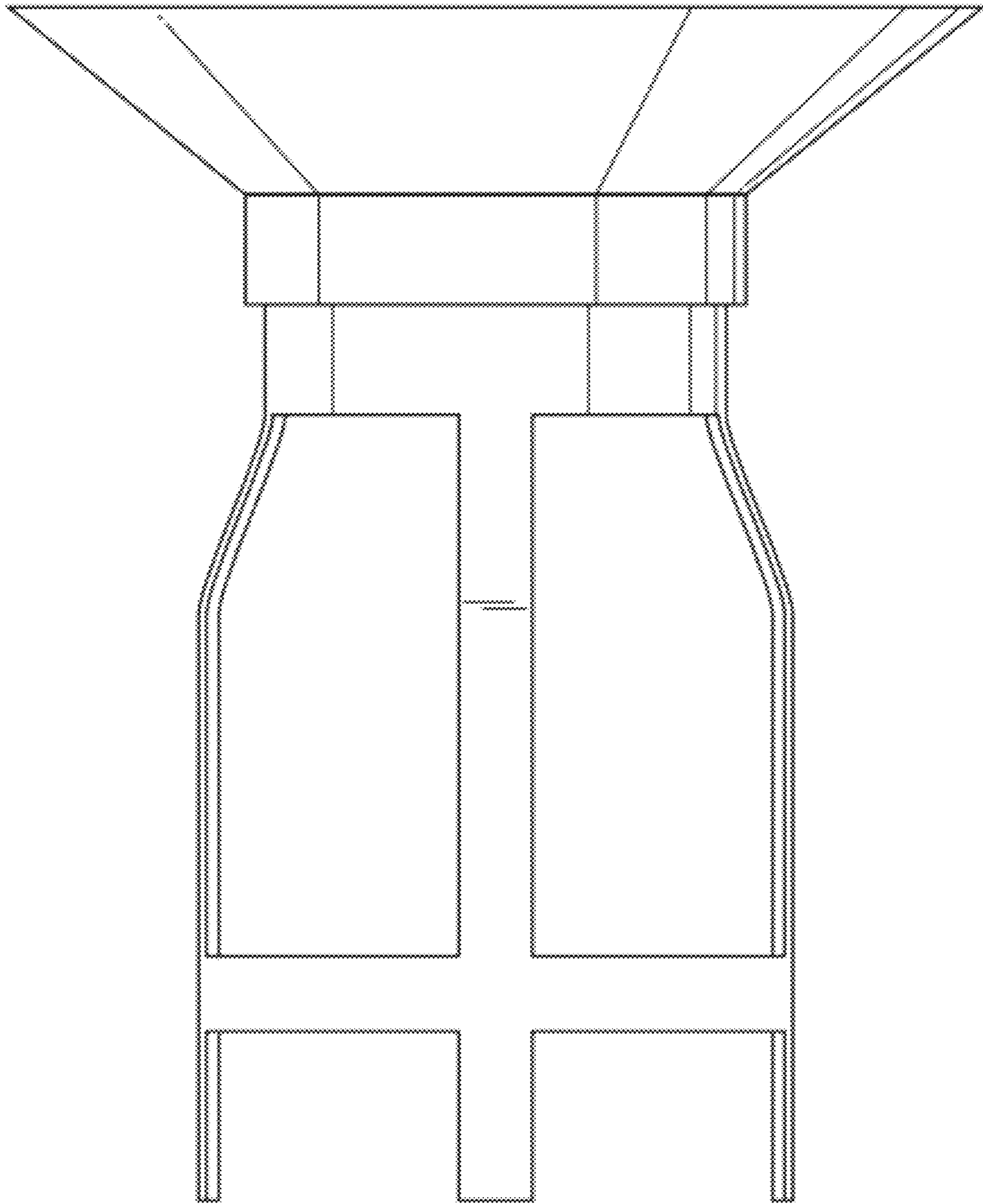


FIG. 4

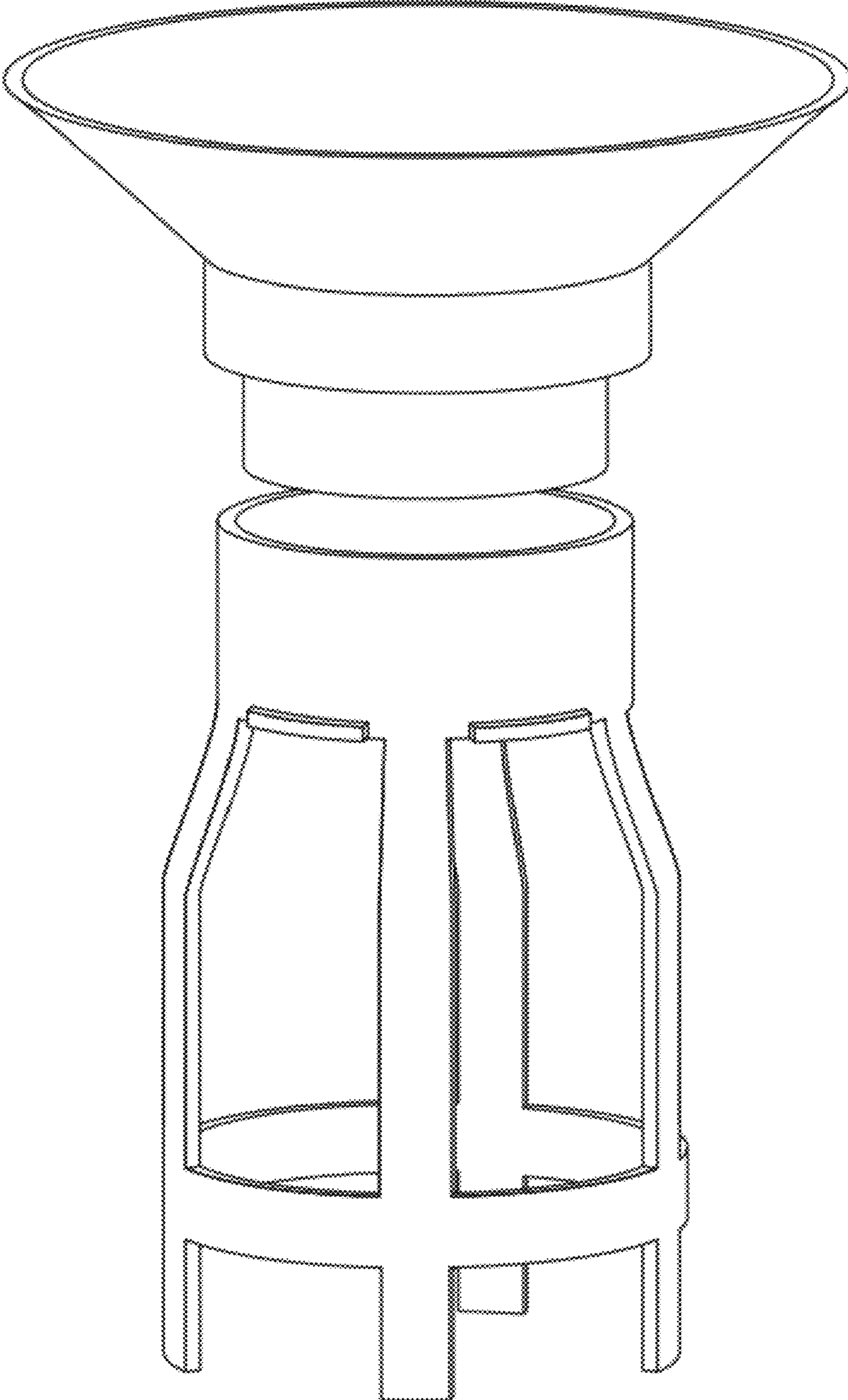


FIG. 5

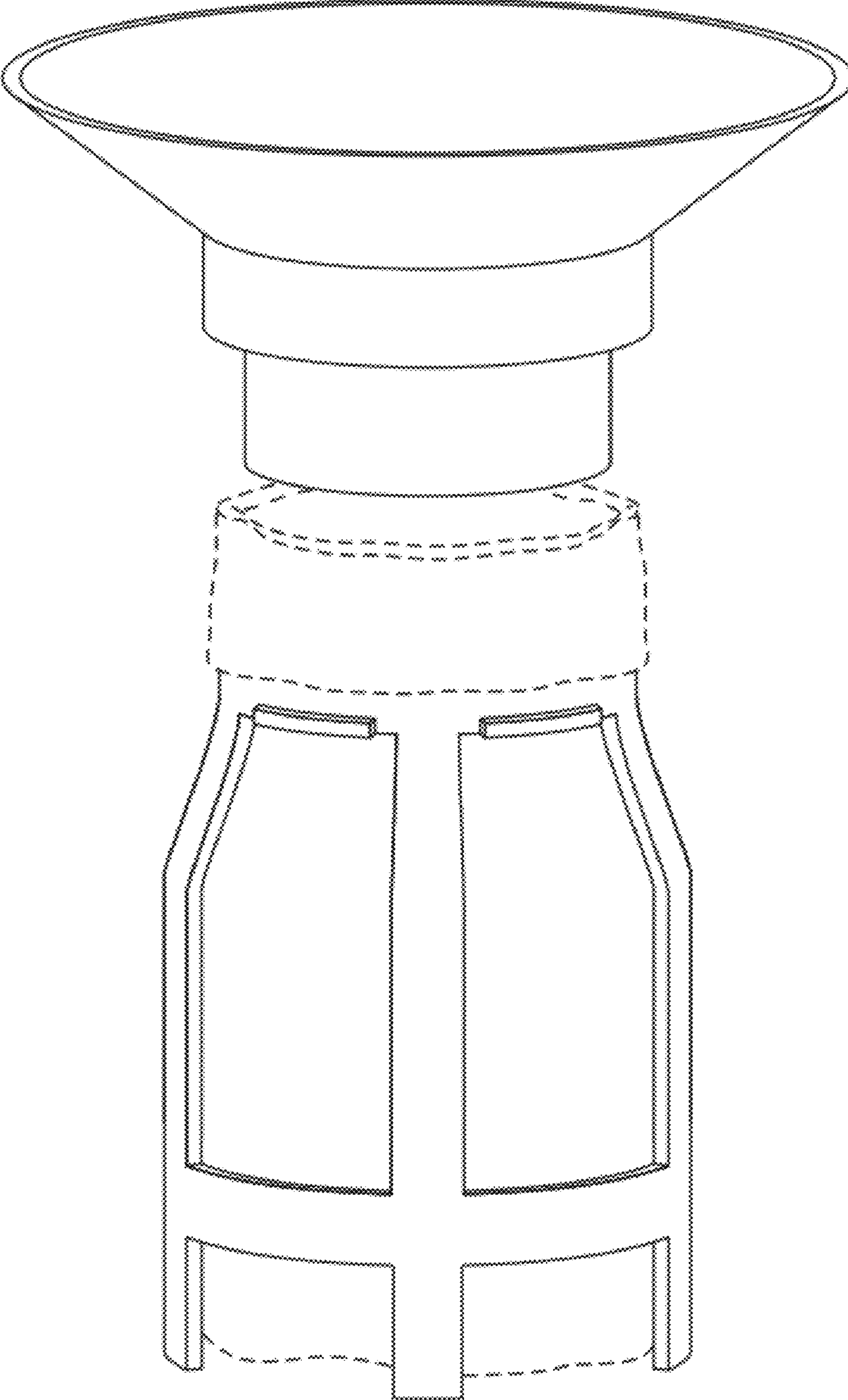


FIG. 6