

US00D670882S

(12) **United States Design Patent**
Meredith

(10) **Patent No.:** **US D670,882 S**

(45) **Date of Patent:** **** Nov. 13, 2012**

(54) **SINK ACCESSORY**

(75) Inventor: **Damon Meredith**, Henley on Thames
(GB)

(73) Assignee: **New Soda Limited**, Henley on Thames
(GB)

(**) Term: **14 Years**

(21) Appl. No.: **29/419,070**

(22) Filed: **Apr. 25, 2012**

(51) **LOC (9) Cl.** **07-05**

(52) **U.S. Cl.** **D32/55**

(58) **Field of Classification Search** D32/55,

D32/276, 3; D6/510, 525; D30/133; 211/41.5,

211/41.4, 41.3, 41.8; 361/679.4; 312/311,

312/333, 334.4; D7/354, 629

See application file for complete search history.

(56) **References Cited**

U.S. PATENT DOCUMENTS

D364,018 S * 11/1995 Brightbill et al. D32/55

D418,646 S * 1/2000 Hampshire D32/55

D486,360 S * 2/2004 Sellers D8/1

D487,860 S * 3/2004 Turner D7/504

D508,368 S * 8/2005 Lion et al. D7/388

D523,192 S * 6/2006 Northrop D30/161

D524,008 S * 6/2006 Babkes et al. D34/27

D554,820 S * 11/2007 Dretzka D32/57

D581,120 S * 11/2008 Sofy et al. D32/57

D589,222 S * 3/2009 Gicela et al. D32/57

D591,013 S * 4/2009 Mose D30/199

D634,089 S * 3/2011 Wisniewski D32/55

D650,541 S * 12/2011 Mayer et al. D32/55

* cited by examiner

Primary Examiner — Austin Murphy

(74) *Attorney, Agent, or Firm* — George R. Reardon

(57) **CLAIM**

The ornamental design for a sink accessory, as shown.

DESCRIPTION

FIG. 1 is a top perspective view of a sink accessory, showing my new design;

FIG. 2 is a bottom perspective view thereof;

FIG. 3 is a top plan view thereof;

FIG. 4 is a bottom plan view thereof;

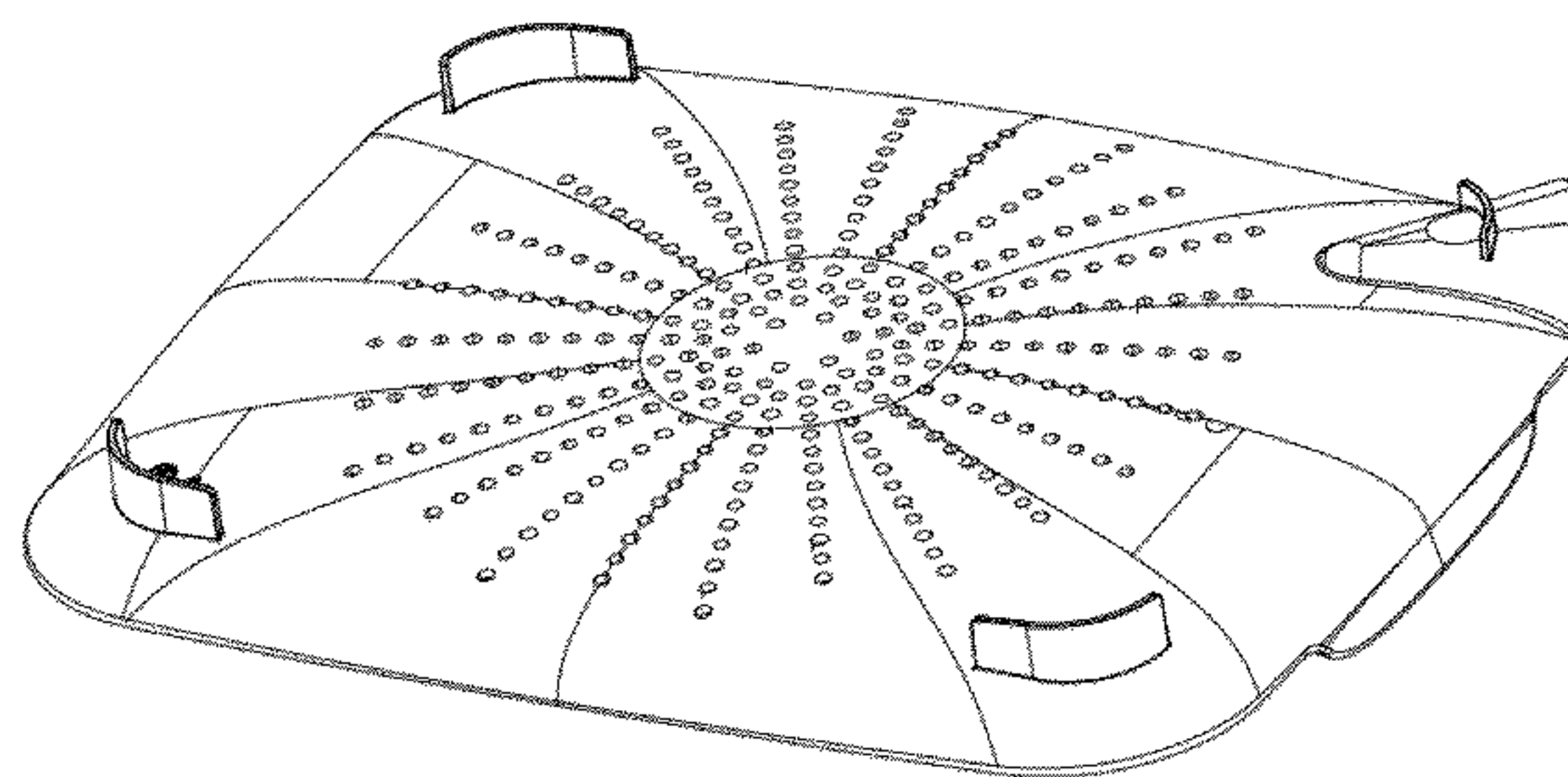
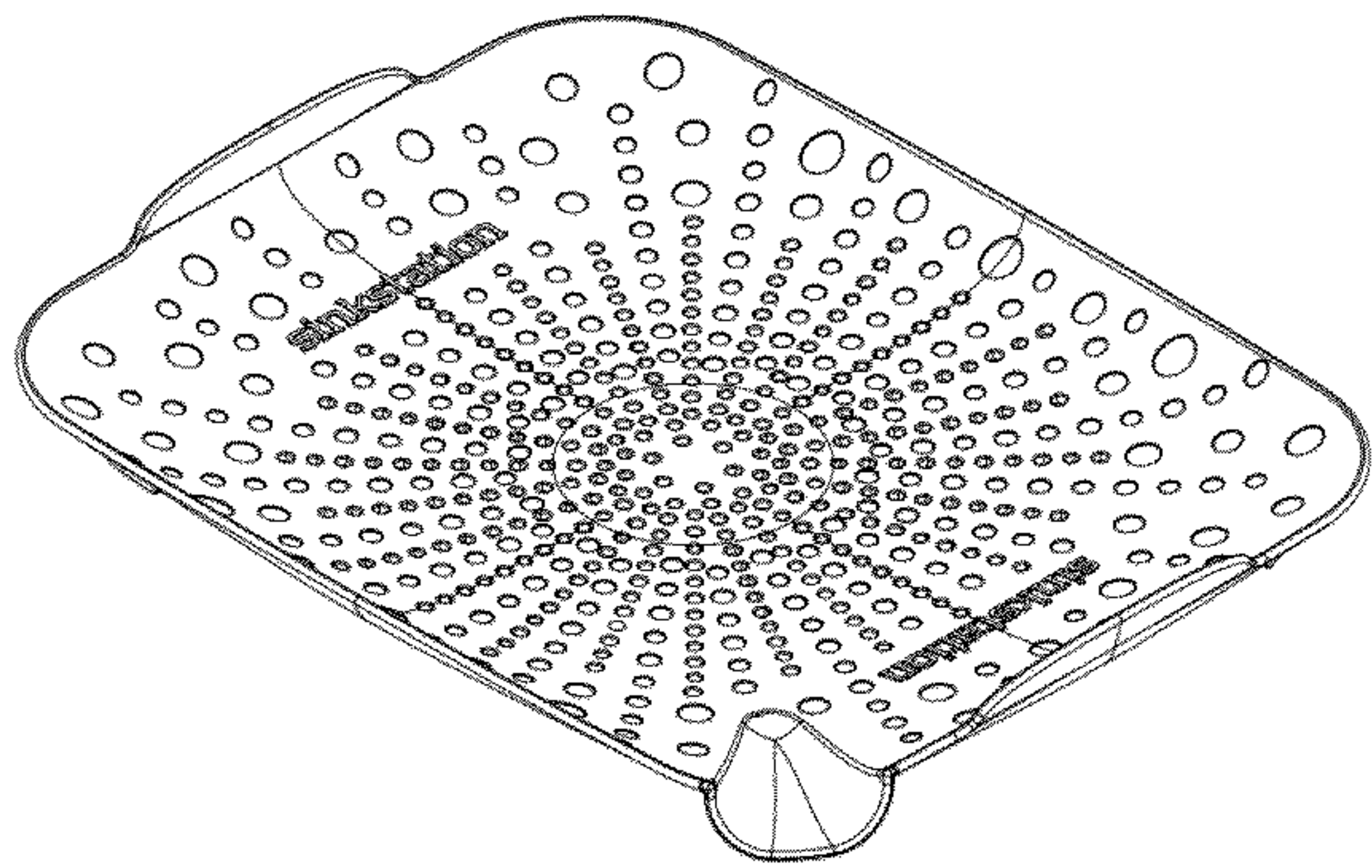
FIG. 5 is a front plan view thereof;

FIG. 6 is a rear plan view thereof;

FIG. 7 is a left side plan view thereof; and,

FIG. 8 is a right side plan view thereof.

1 Claim, 8 Drawing Sheets



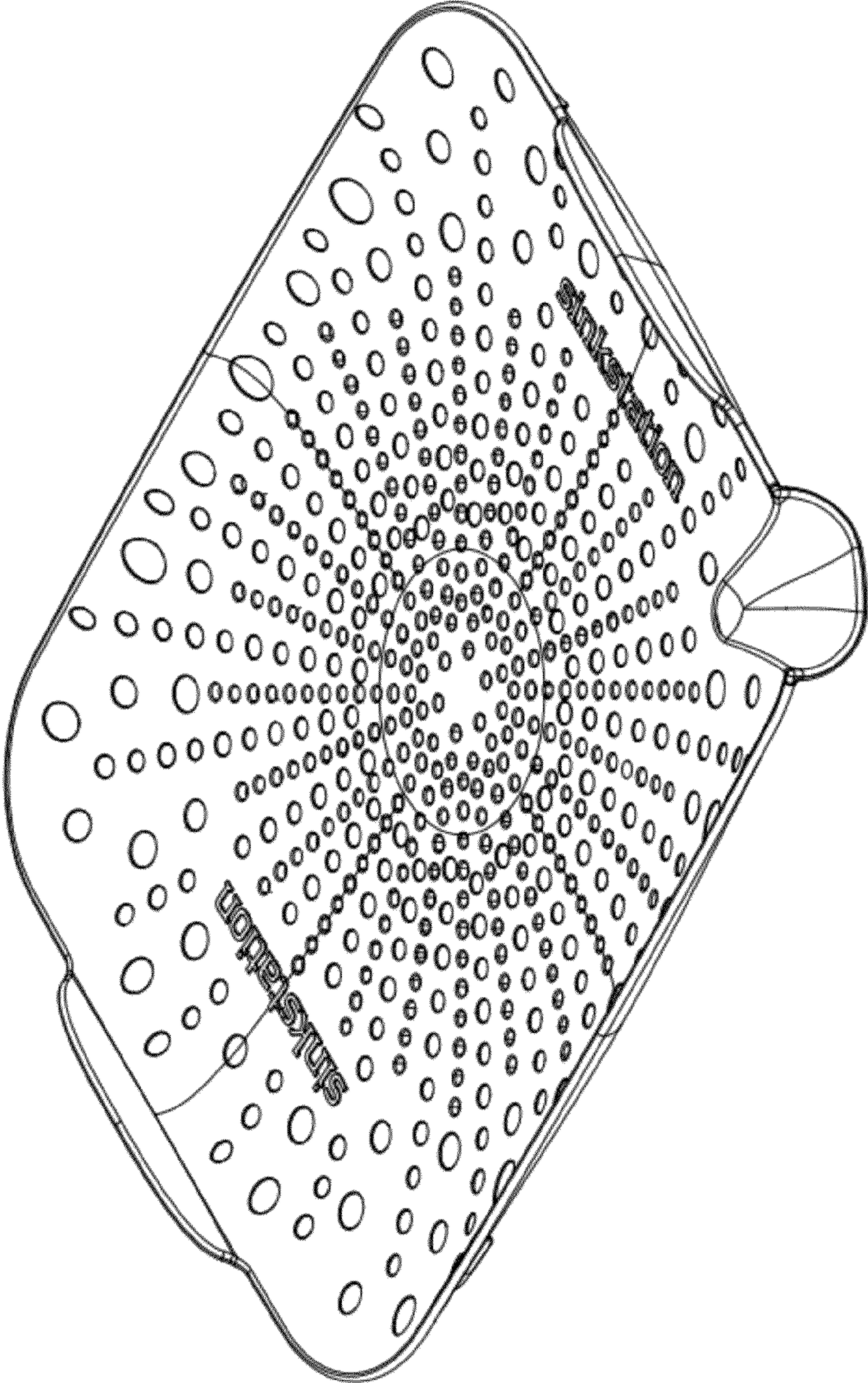


FIG. 1

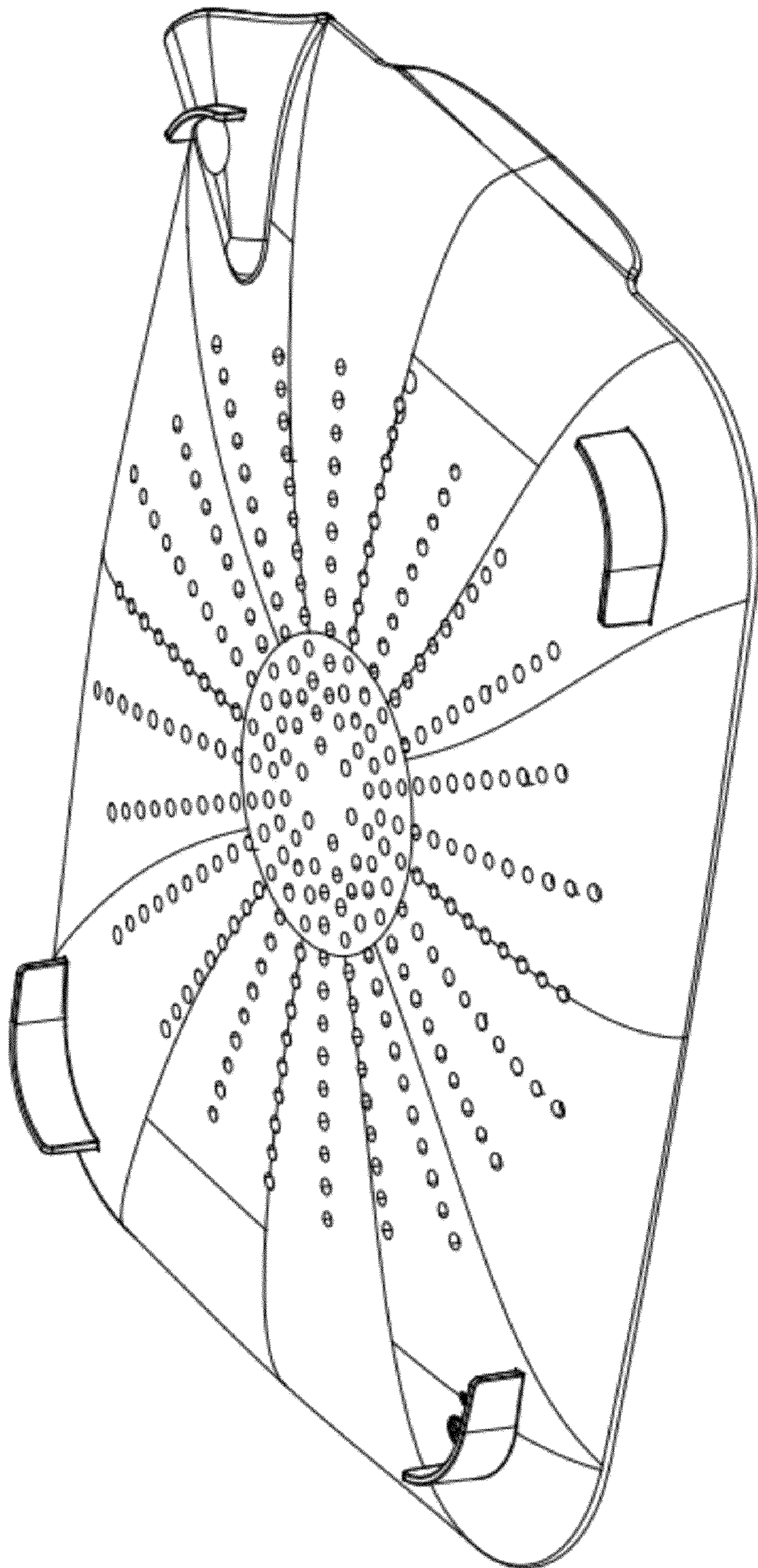


FIG. 2

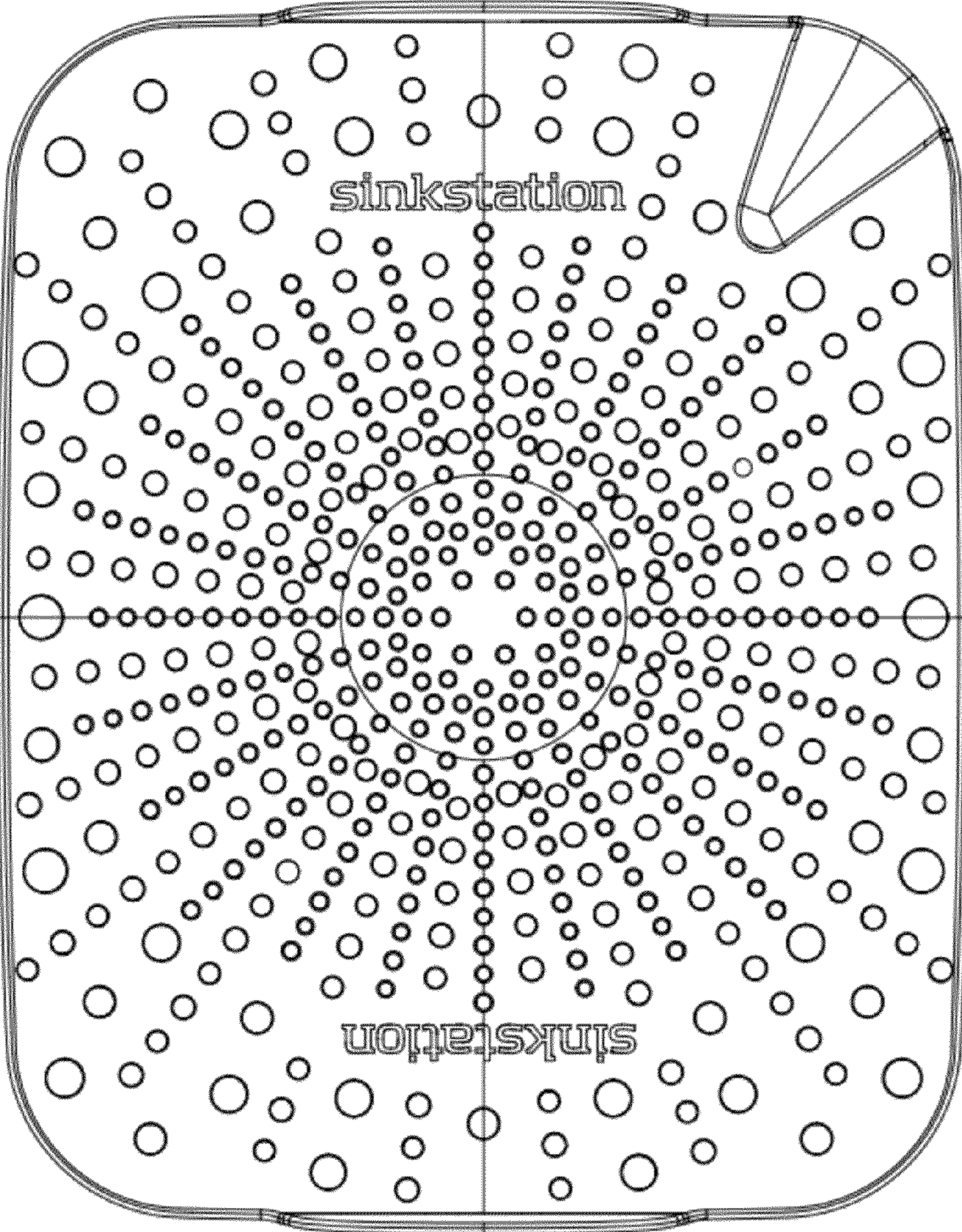


FIG. 3

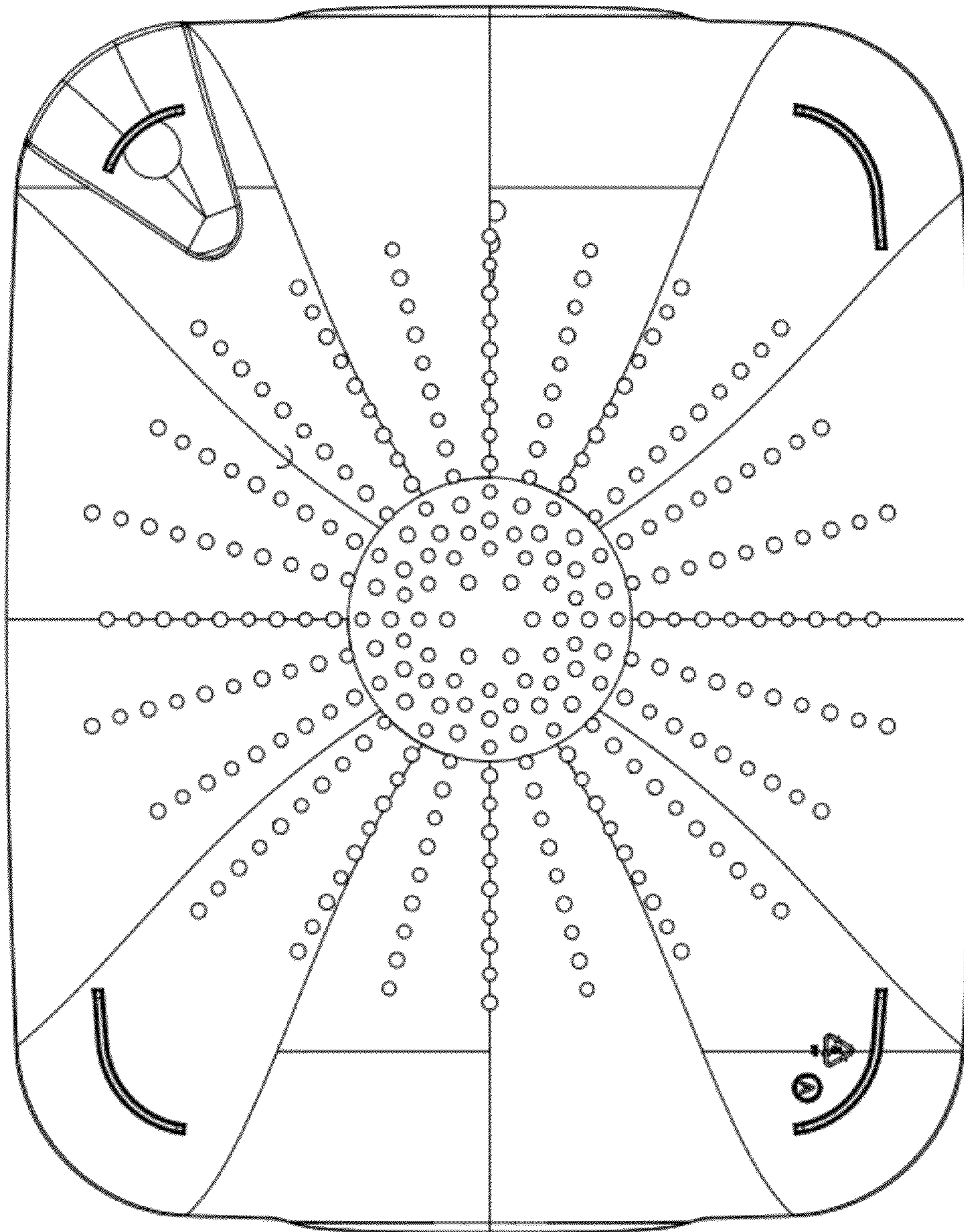


FIG. 4

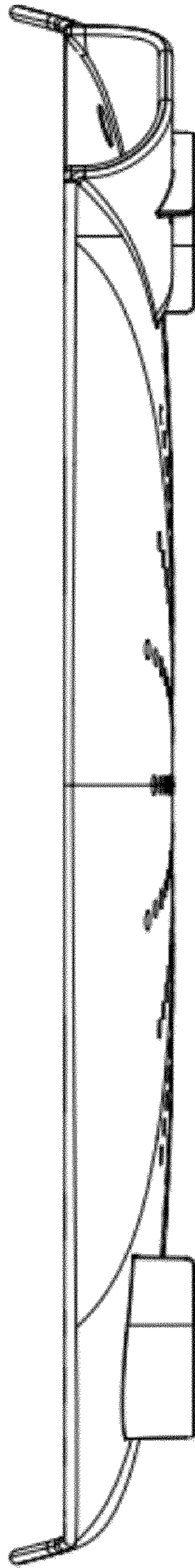


FIG. 5

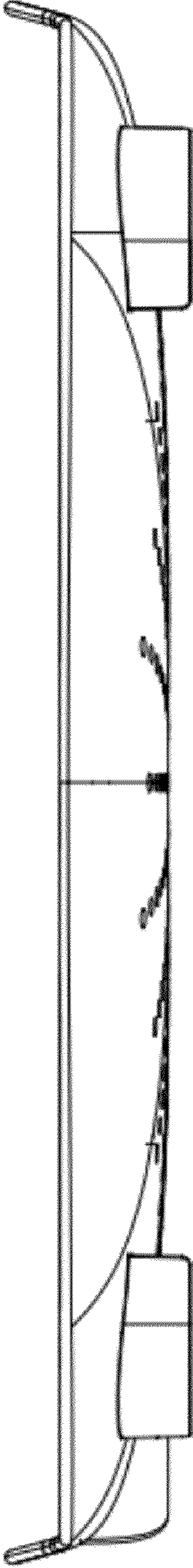


FIG. 6

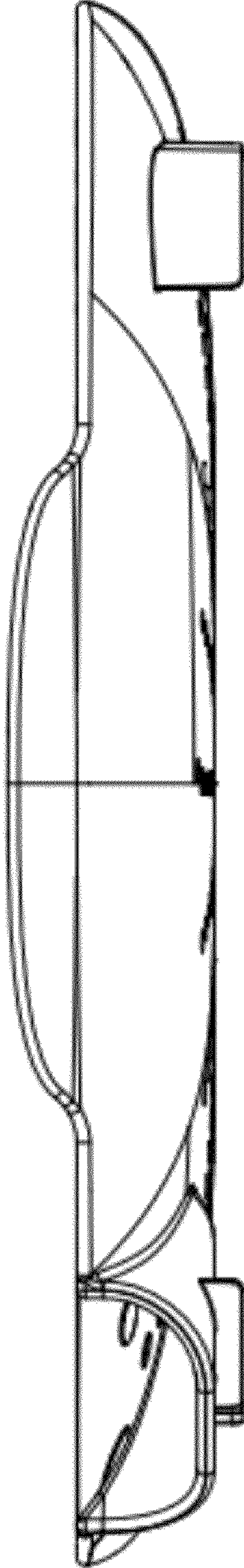


FIG. 7

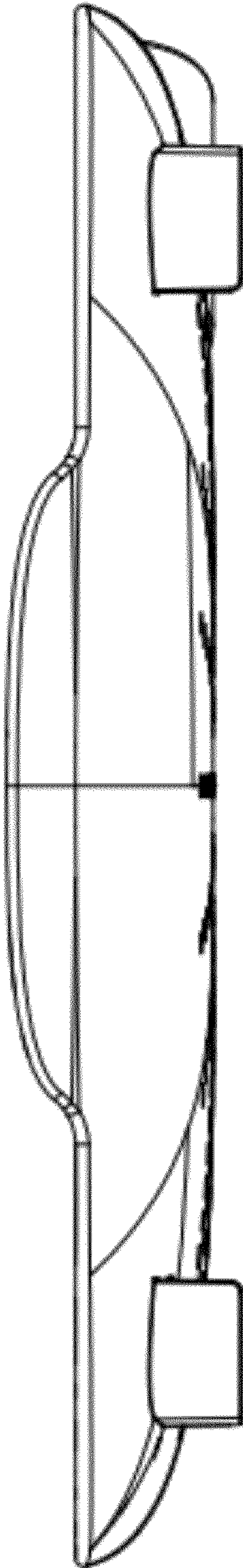


FIG. 8