



US00D670878S

(12) **United States Design Patent**
Lee

(10) **Patent No.:** **US D670,878 S**
(45) **Date of Patent:** **** Nov. 13, 2012**

(54) **VACUUM CLEANER**

(75) Inventor: **Young Seok Lee, Seoul (KR)**

(73) Assignee: **Samsung Electronics Co., Ltd.,
Suwon-si (KR)**

(**) Term: **14 Years**

(21) Appl. No.: **29/383,456**

(22) Filed: **Jan. 18, 2011**

(51) **LOC (9) Cl.** **15-05**

(52) **U.S. Cl.** **D32/22**

(58) **Field of Classification Search** D32/16,
D32/17, 22, 31, 34; 15/347, 353, 320, 340.2,
15/350-351, 363, 410-411, 327.1, 71.1,
15/79.1, 79.2; 55/337, 459.1, DIG. 3, 429
See application file for complete search history.

(56) **References Cited**

U.S. PATENT DOCUMENTS

D462,813	S	*	9/2002	Nakano et al.	D32/22
D532,944	S	*	11/2006	Choi	D32/22
7,152,273	B2	*	12/2006	Courtney	15/320
D535,070	S	*	1/2007	Shin	D32/22

D587,870	S	*	3/2009	Baek et al.	D32/22
D607,160	S	*	12/2009	Yu et al.	D32/22
D610,317	S	*	2/2010	Lee et al.	D32/22
D610,318	S	*	2/2010	Shin	D32/22
D633,264	S	*	2/2011	Lee	D32/22
7,879,142	B2	*	2/2011	Han et al.	96/381
2011/0035899	A1	*	2/2011	Charlton et al.	15/347

* cited by examiner

Primary Examiner — Ruth McInroy

(74) *Attorney, Agent, or Firm* — Ladas & Parry LLP

(57) **CLAIM**

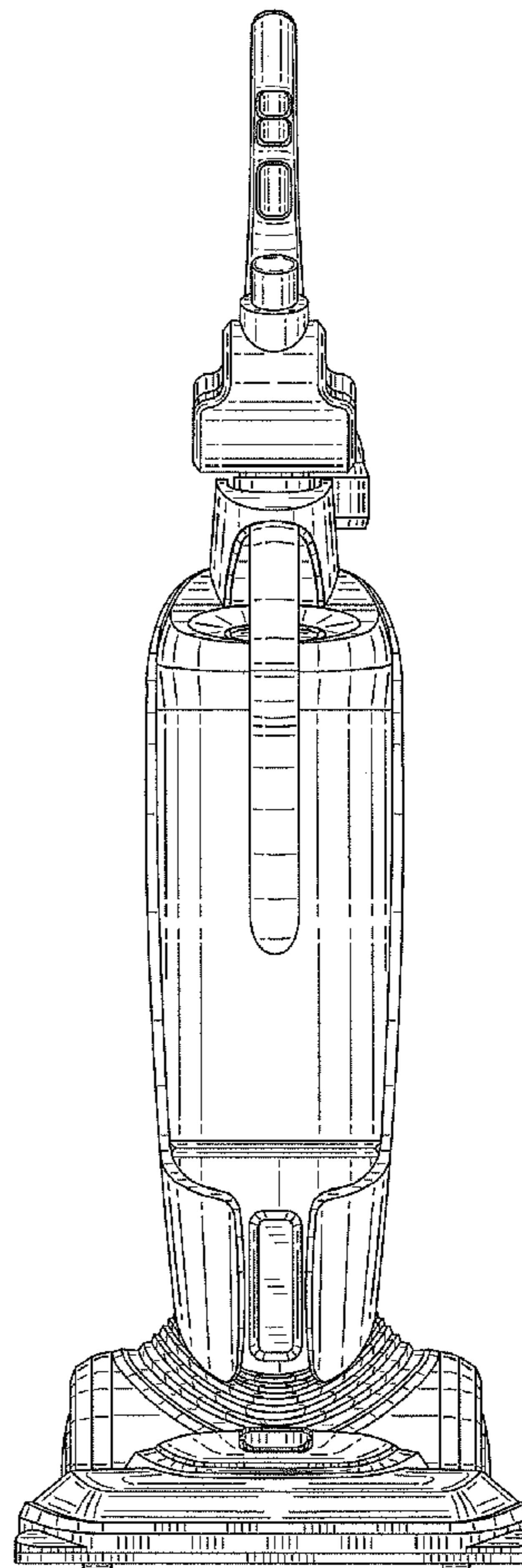
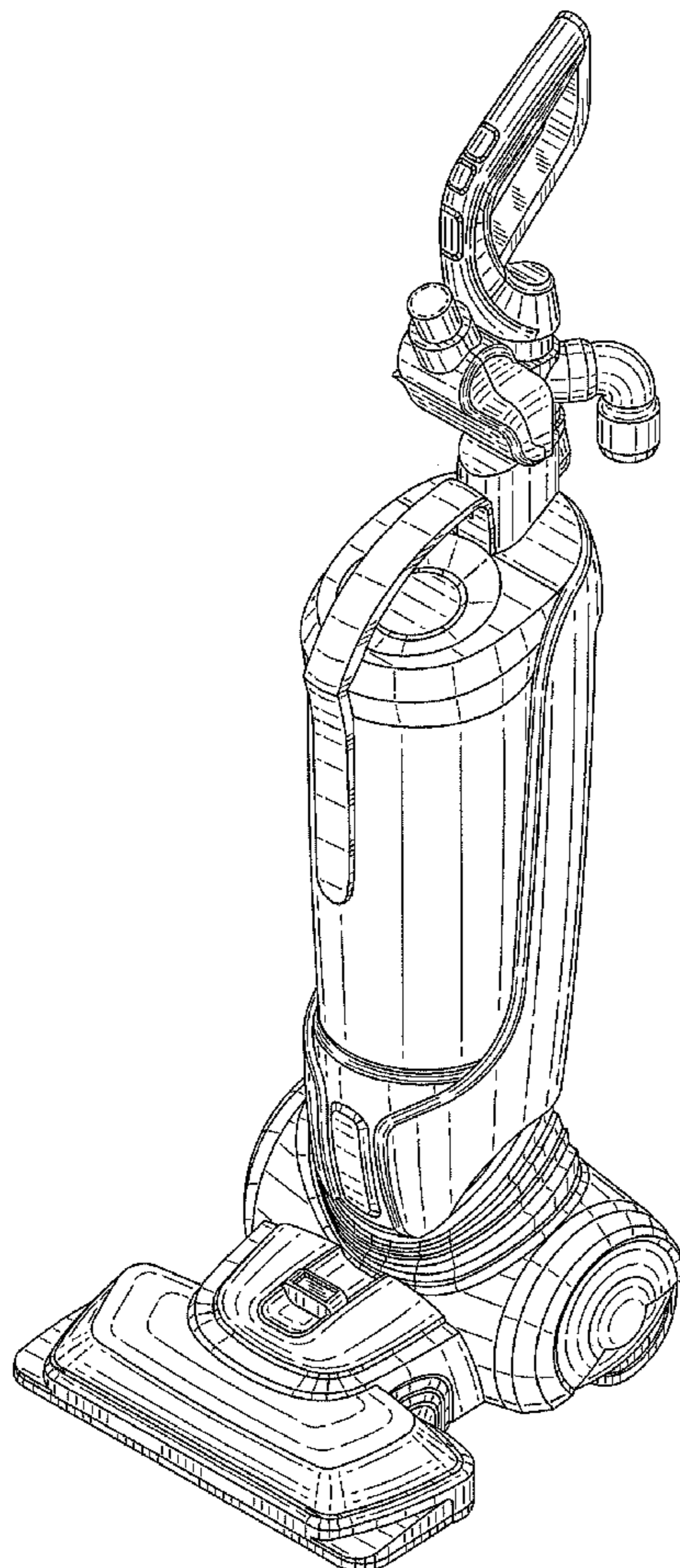
I claim the ornamental design for a vacuum cleaner, as shown and described.

DESCRIPTION

FIG. 1 is a top, front and right-side perspective view of a vacuum cleaner showing my new design;
FIG. 2 is a front elevational view thereof;
FIG. 3 is a rear elevational view thereof;
FIG. 4 is a left-side elevational view thereof;
FIG. 5 is a right-side elevational view thereof; and,
FIG. 6 is a top plan view thereof.

The details shown in broken lines form no part of the claimed design.

1 Claim, 6 Drawing Sheets



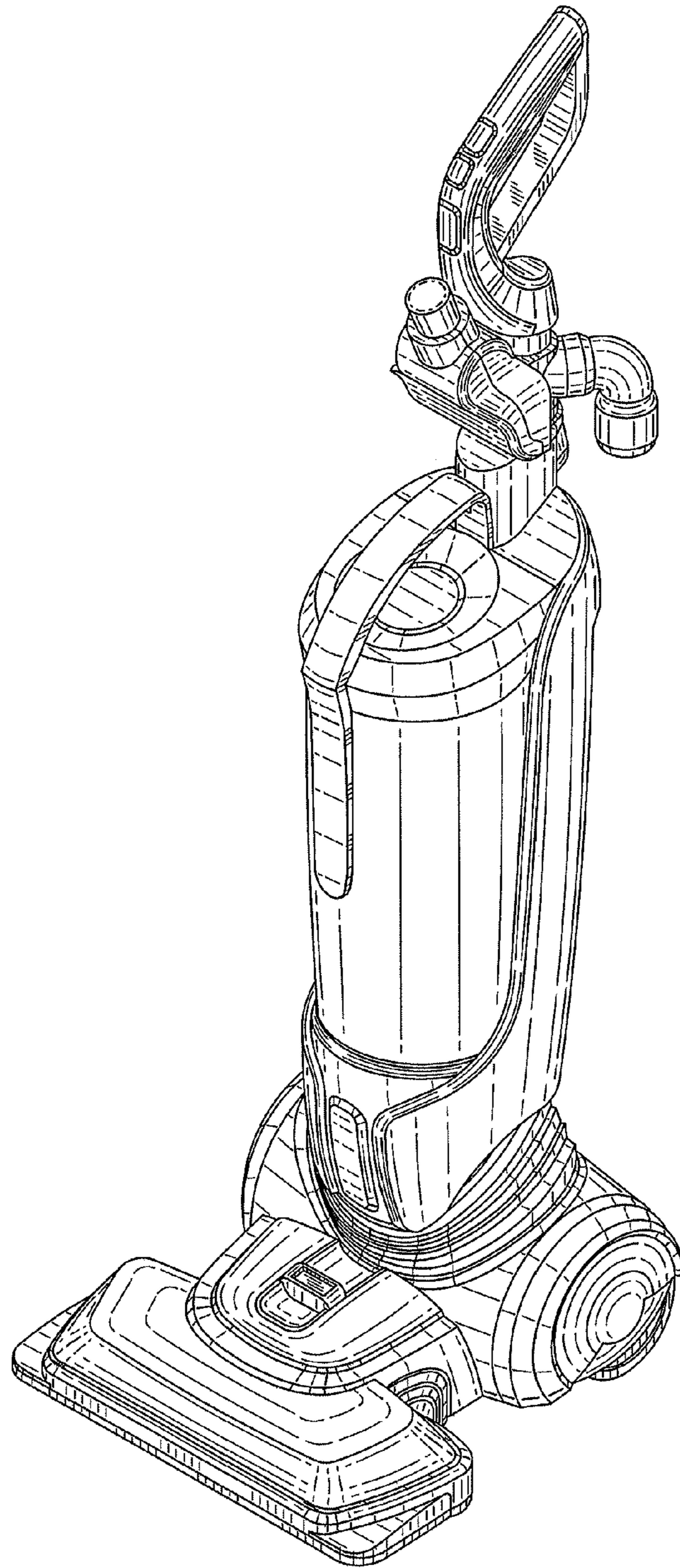


FIG. 1

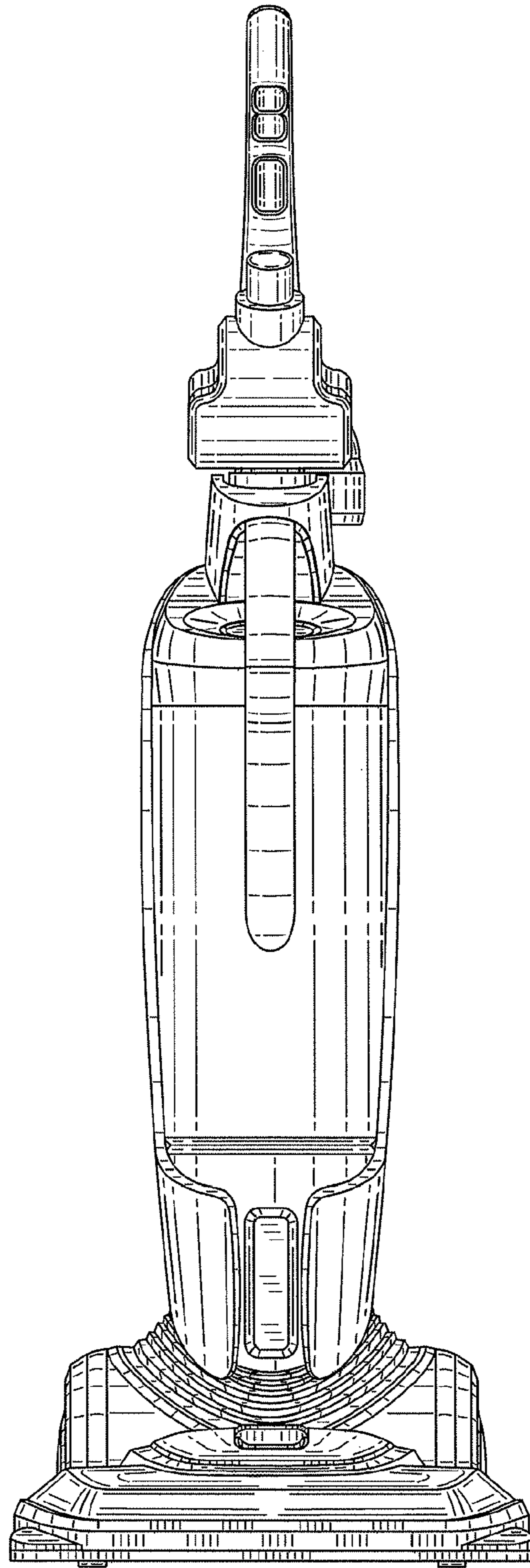


FIG. 2

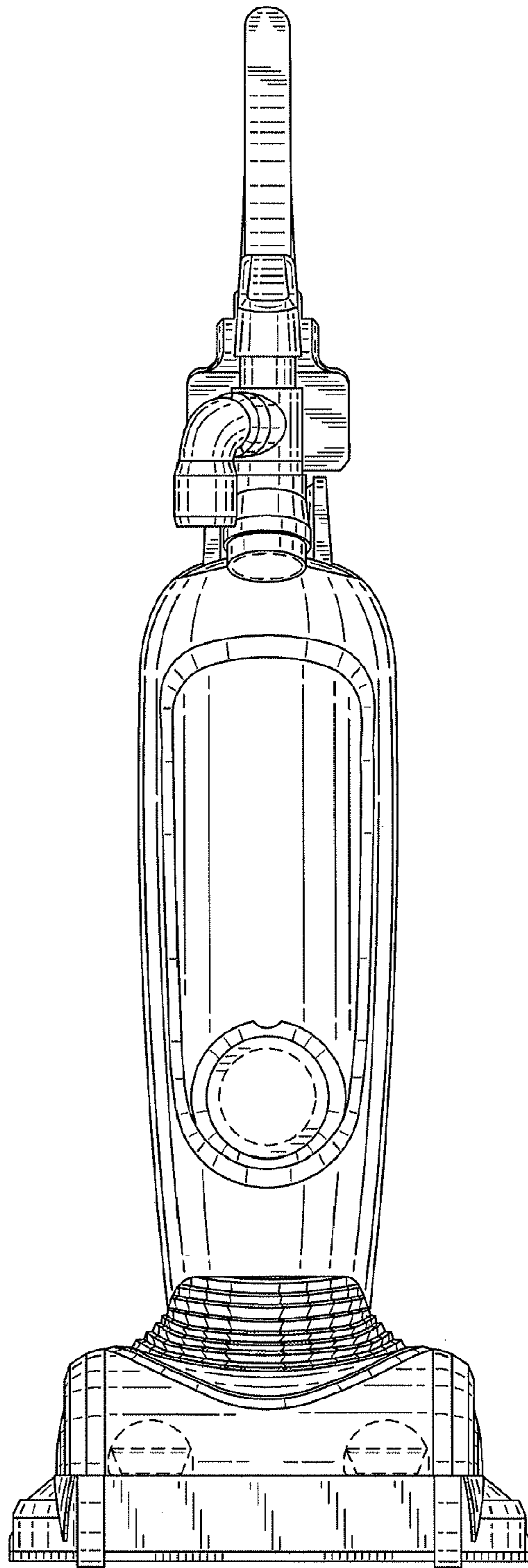


FIG. 3

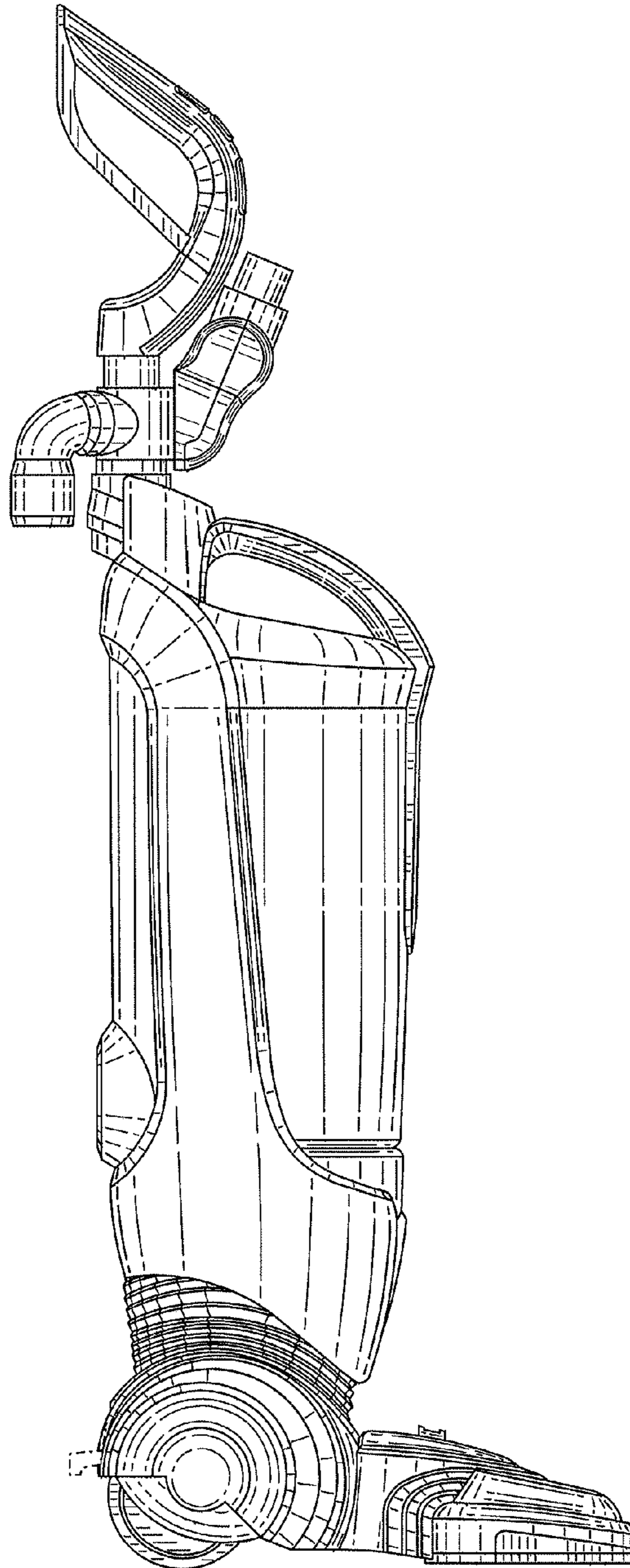


FIG. 4

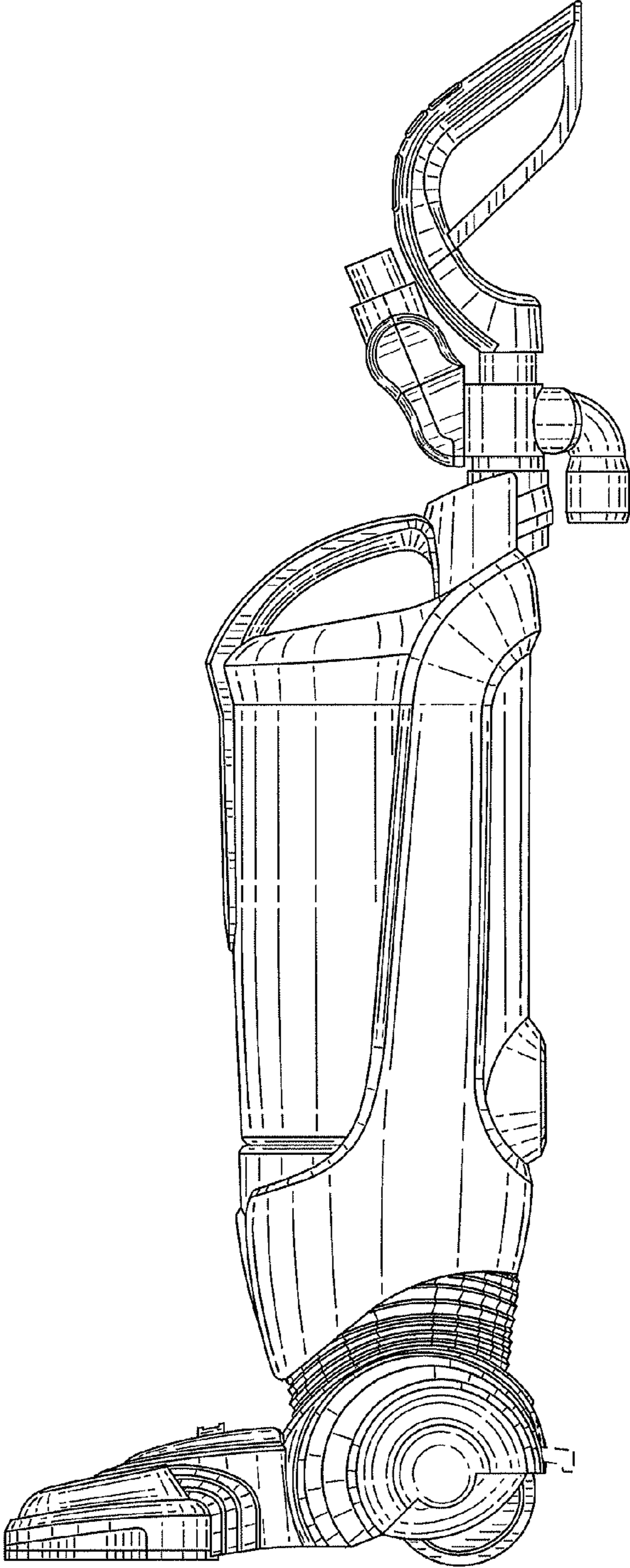


FIG. 5

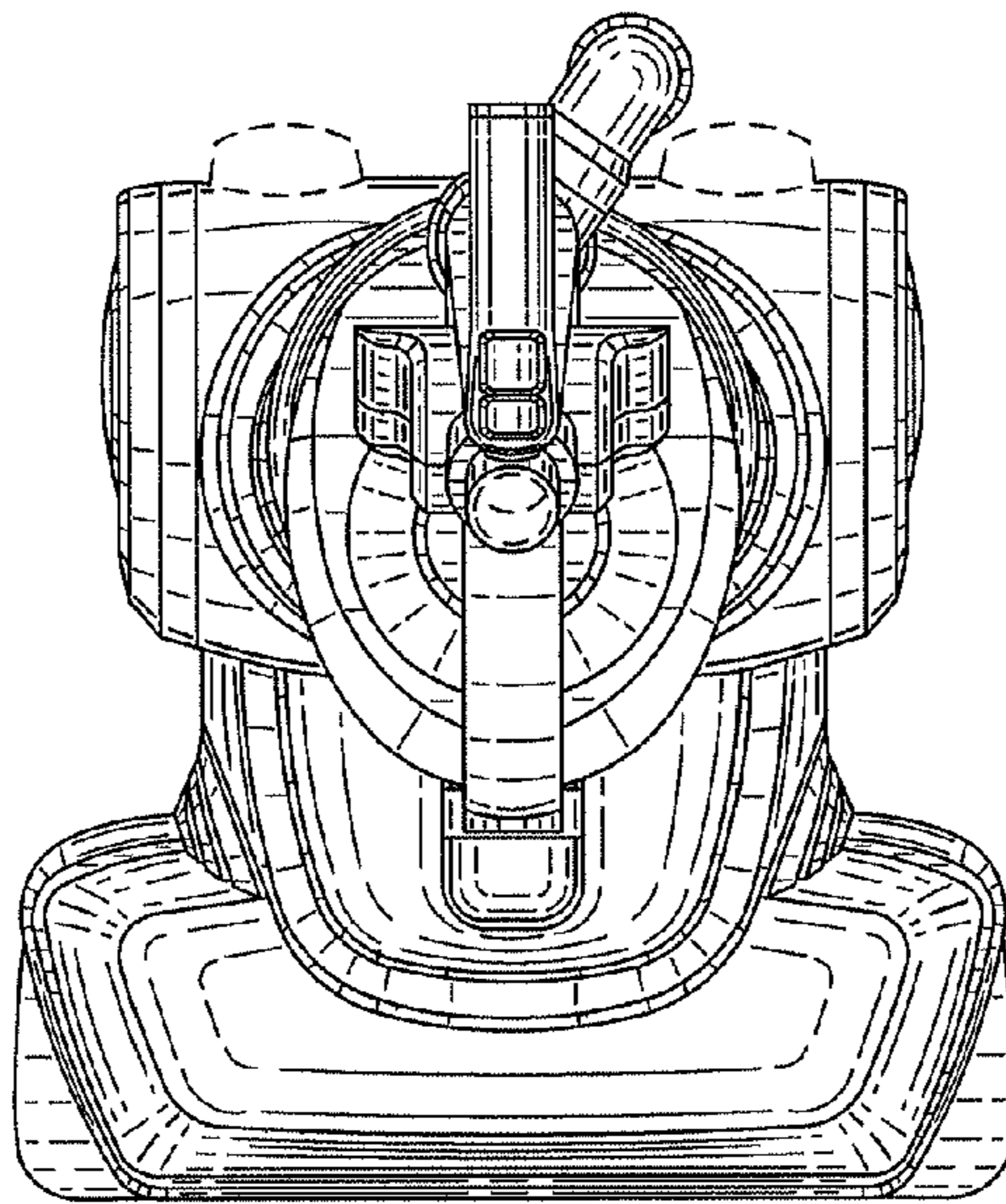


FIG. 6