

US00D670875S

(12) **United States Design Patent**
Meyer

(10) **Patent No.:** **US D670,875 S**

(45) **Date of Patent:** **** Nov. 13, 2012**

(54) **HIGH PRESSURE CLEANER**

(75) Inventor: **Michael Meyer**, Schwaikheim (DE)

(73) Assignee: **Alfred Kaercher GmbH & Co. KG**,
Winnenden (DE)

(**) Term: **14 Years**

(21) Appl. No.: **29/374,323**

(22) Filed: **Jul. 27, 2011**

(30) **Foreign Application Priority Data**

Feb. 4, 2011 (WO) DM/075 342

(51) **LOC (9) Cl.** **15-05**

(52) **U.S. Cl.** **D32/15**

(58) **Field of Classification Search** D32/1,
D32/4, 15, 17, 18, 21; D23/223, 225, 226;
239/146, 308, 310, 332; 15/320-321, 327.1,
15/327.4-327.7, 344, 347, 353, 410, 412,
15/414, 415.1, 422

See application file for complete search history.

(56) **References Cited**

U.S. PATENT DOCUMENTS

D341,009	S	*	11/1993	Berfield et al.	D32/1
5,667,141	A	*	9/1997	Suttner	239/332
D496,764	S	*	9/2004	Lopano	D32/21
D542,373	S	*	5/2007	Cooper	D23/225
D547,014	S	*	7/2007	Chen	D32/15
D549,893	S	*	8/2007	Chen	D32/4
D568,007	S	*	4/2008	Li	D32/15
D568,558	S	*	5/2008	Li	D32/15
D568,559	S	*	5/2008	Li	D32/15
D568,560	S	*	5/2008	Li	D32/15
D588,313	S	*	3/2009	Conner et al.	D32/15
D647,174	S	*	10/2011	Henderson	D23/225
2008/0105283	A1	*	5/2008	Pianetto et al.	134/198

OTHER PUBLICATIONS

Extract from catalog of Alfred Kaercher GmbH & Co. KG, "Programme 2006", cover, pp. 6-7 and last page (Dec. 2005).

Extract from catalog of Alfred Kaercher GmbH & Co. KG, "Programme 2007", cover, p. 18 and last page (Jan. 2007).

Extract from catalog of Alfred Kaercher GmbH & Co. KG, "Programme 2008", cover, pp. 18, 20 and last page (Dec. 2007).

Extract from catalog of Alfred Kaercher GmbH & Co. KG, "Programme 2009 Residential", cover, pp. 10, 12, 27 and last page (Mar. 2009).

Extract from catalog of Alfred Kaercher GmbH & Co. KG, "Programme 2010 Kaercher Home & Garden", cover, pp. 17, 24 and last page (Nov. 2009).

* cited by examiner

Primary Examiner — T. Chase Nelson

Assistant Examiner — Kathleen M Sims

(74) *Attorney, Agent, or Firm* — Lipsitz & McAllister, LLC

(57) **CLAIM**

The ornamental design for a high pressure cleaner, as shown and described.

DESCRIPTION

FIG. 1 is a front, top and left side perspective view of the design;

FIG. 2 is a rear, top and left side perspective view of the design;

FIG. 3 is a left elevational view of the design;

FIG. 4 is a front elevational view of the design;

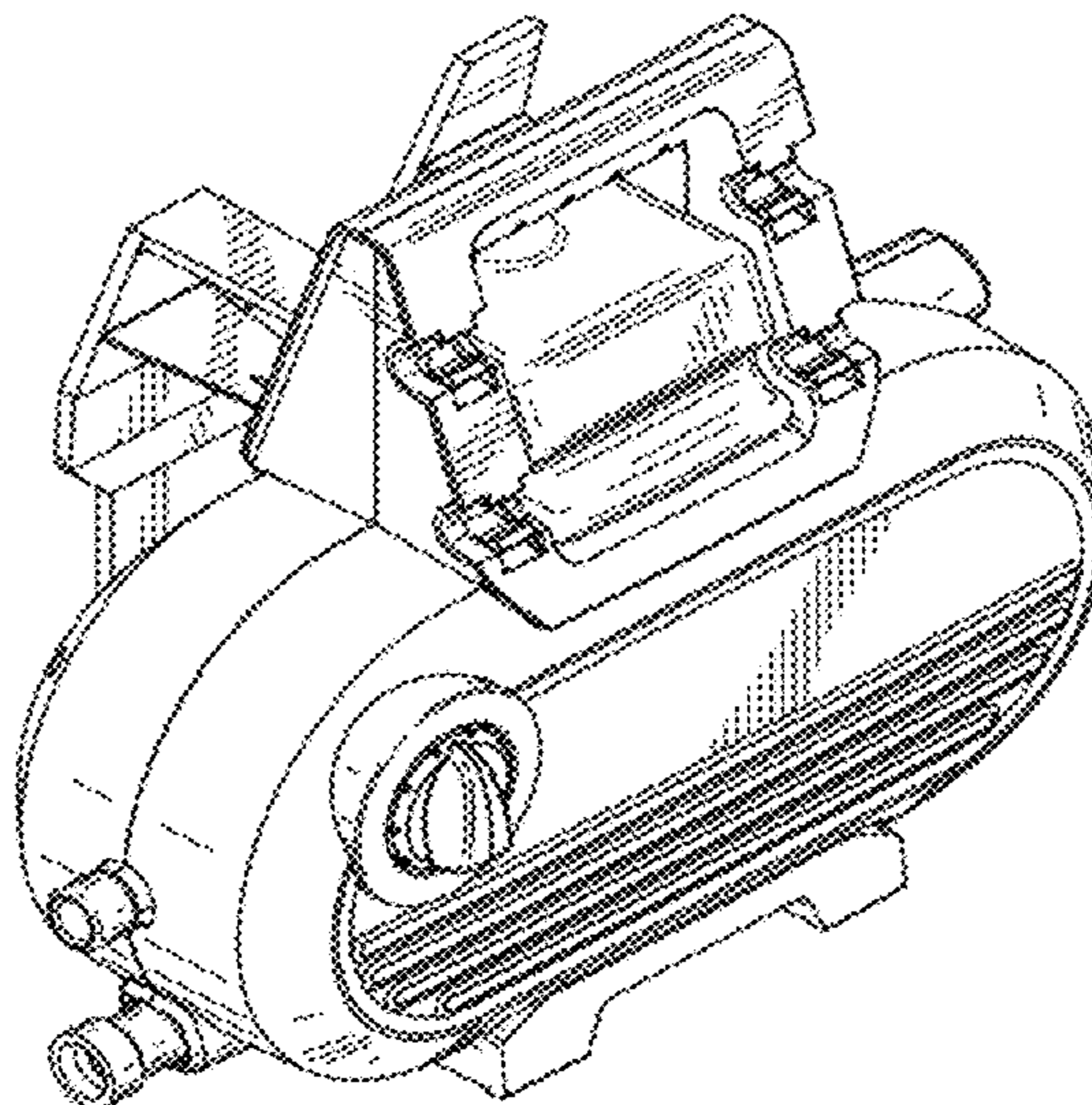
FIG. 5 is a right side elevational view of the design;

FIG. 6 is a rear elevational view of the design; and,

FIG. 7 is a top plan view of the design.

The broken line showing of various elements in the drawings is for the purpose of illustrating mechanical components and forms no part of the claimed design.

1 Claim, 7 Drawing Sheets



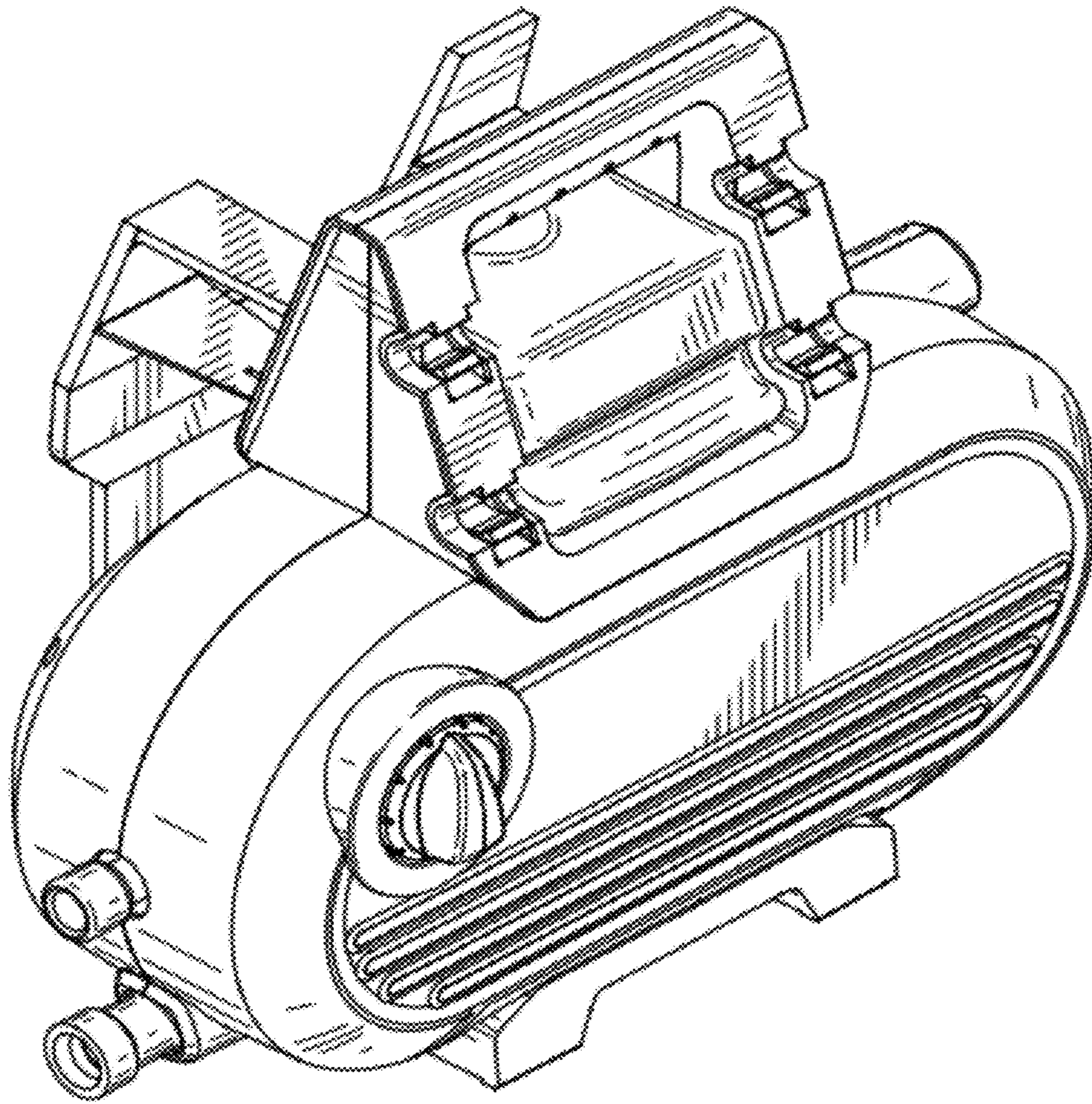


FIG. 1

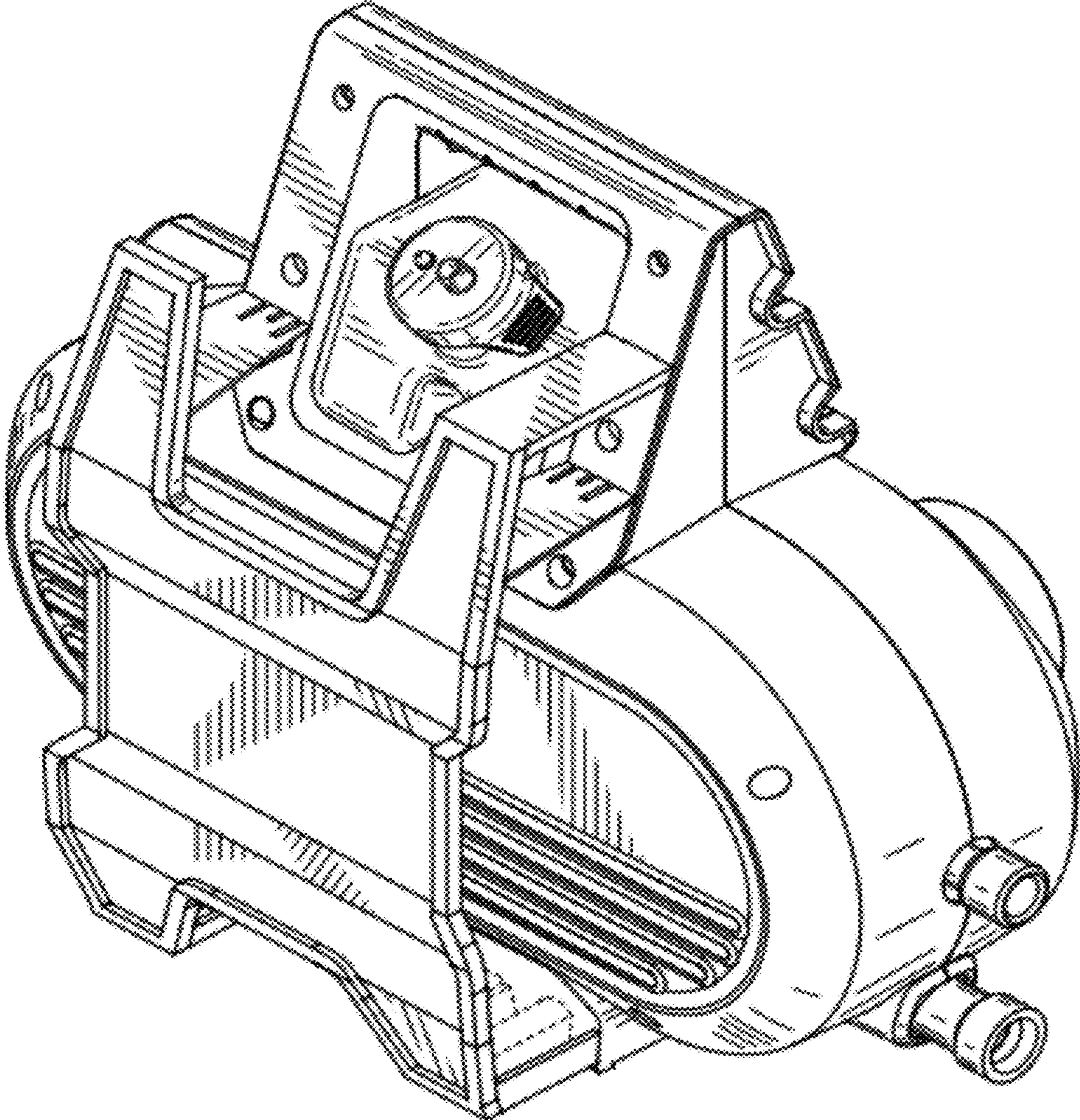


FIG. 2

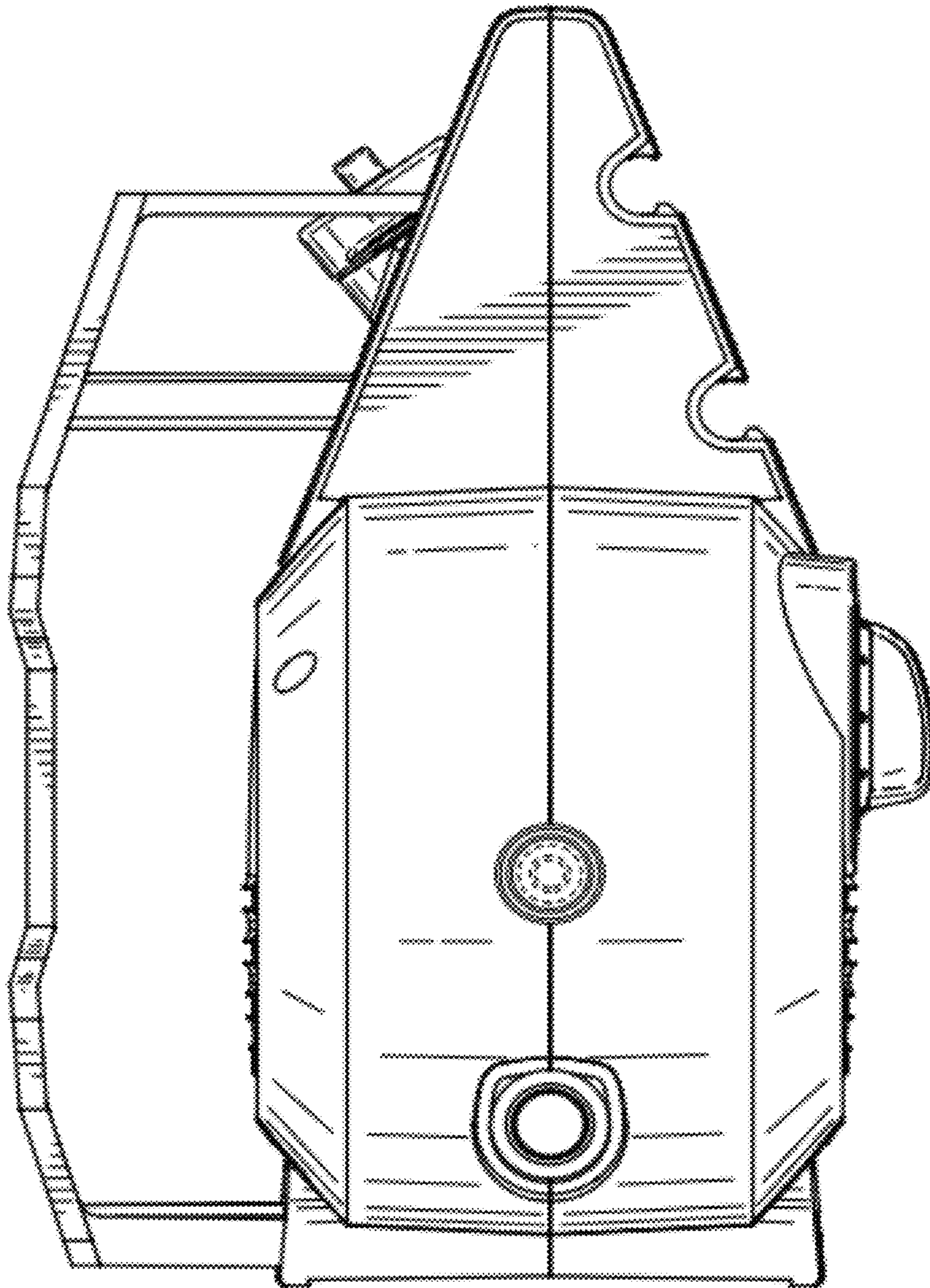


FIG. 3

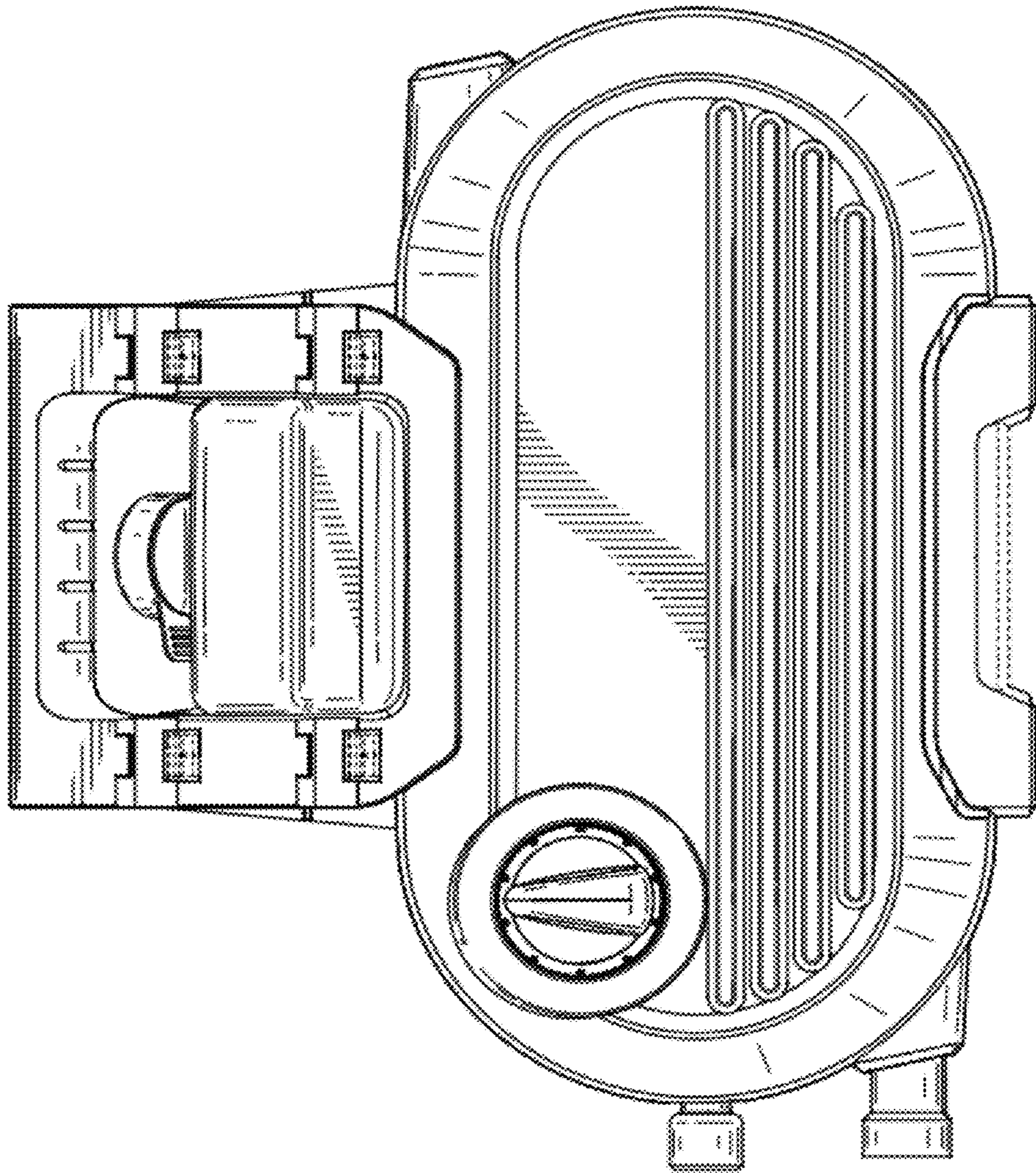


FIG. 4

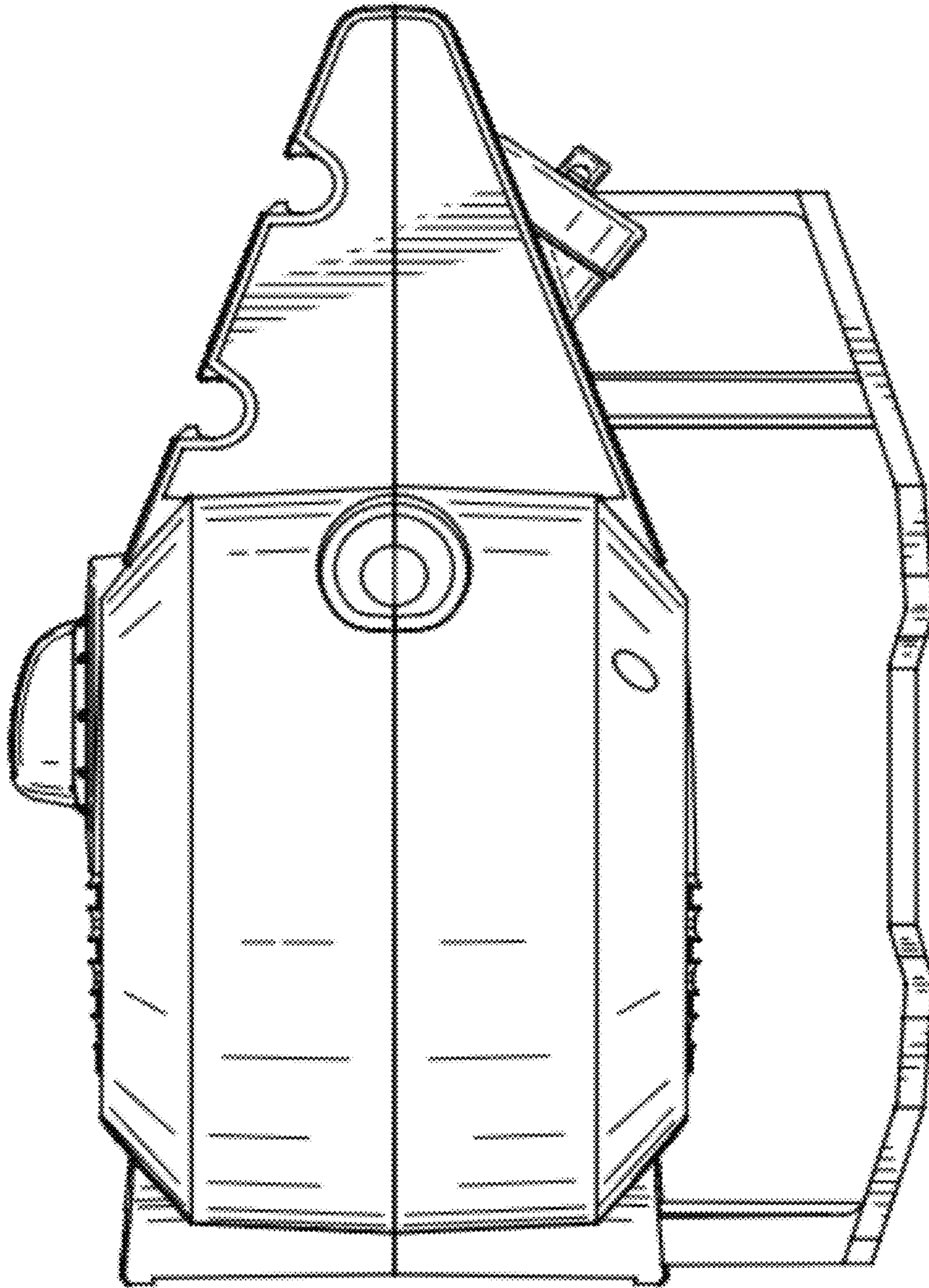


FIG. 5

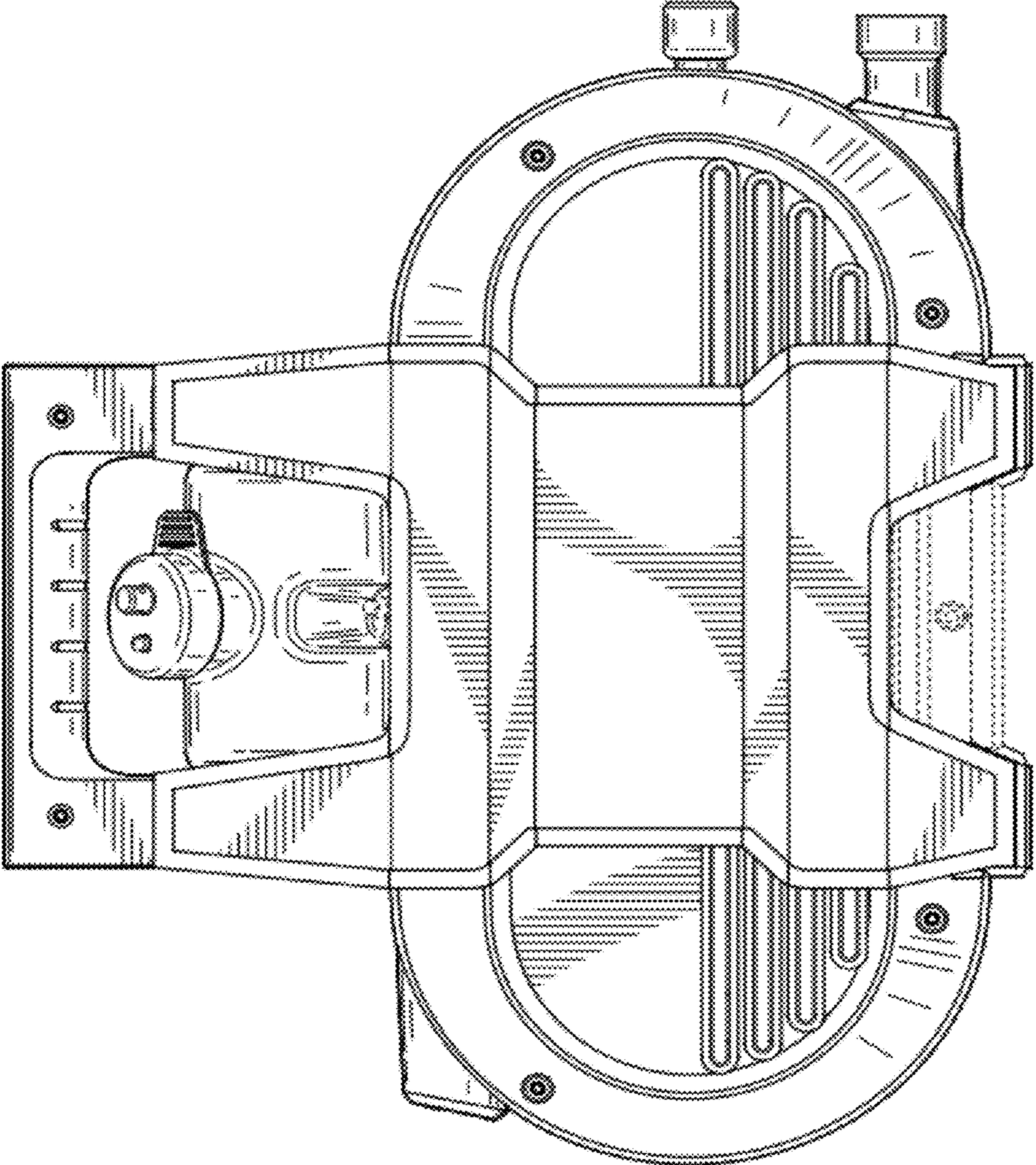


FIG. 6

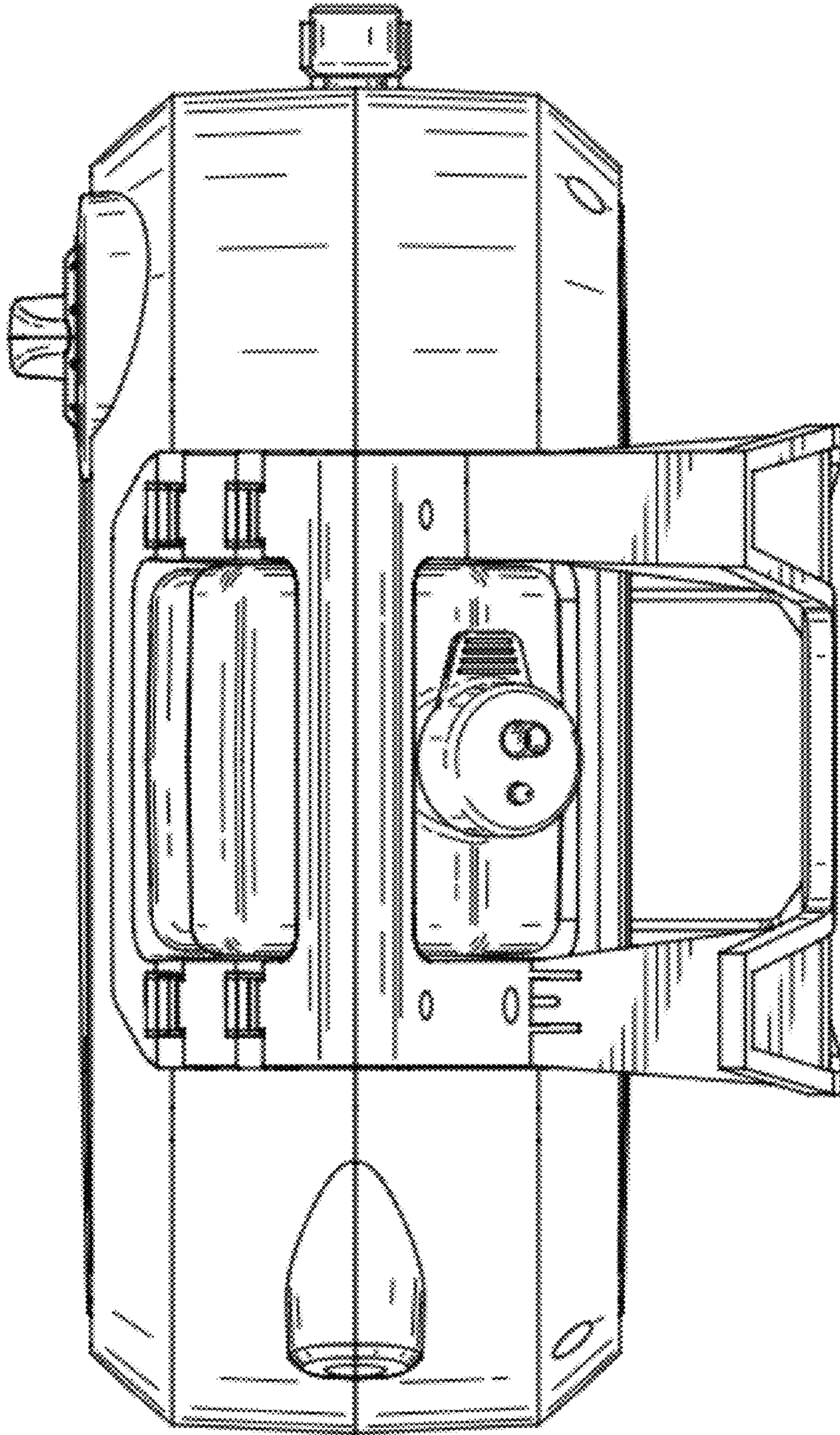


FIG. 7