



US00D670874S

(12) **United States Design Patent**  
**Hohl et al.**

(10) **Patent No.:** **US D670,874 S**

(45) **Date of Patent:** **\*\* Nov. 13, 2012**

(54) **AUGER**

(75) Inventors: **Christopher George Hohl**, Kansas City, MO (US); **Phillip Stephen Evans**, Greenwood, MO (US)

(73) Assignee: **The Salvajor Company**, Kansas City, MO (US)

(\*\*) Term: **14 Years**

(21) Appl. No.: **29/365,506**

(22) Filed: **Jul. 9, 2010**

(51) **LOC (9) Cl.** ..... **15-05**

(52) **U.S. Cl.** ..... **D32/14**

(58) **Field of Classification Search** ..... D32/1, D32/14, 25, 35; D8/68; 15/104.05, 104.09, 15/104.31-104.33, 104.62  
See application file for complete search history.

(56) **References Cited**

**U.S. PATENT DOCUMENTS**

D189,445	S	*	12/1960	Levine	.....	D32/14
D201,349	S	*	6/1965	Bollinger	.....	D32/14
3,224,024	A	*	12/1965	Hunt	.....	15/104.33
3,727,261	A	*	4/1973	Levine	.....	15/104.33
3,897,602	A	*	8/1975	Waterbury	.....	15/104.33
D238,046	S	*	12/1975	Levine	.....	D8/68
4,218,802	A	*	8/1980	Babb et al.	.....	15/104.33
4,287,630	A	*	9/1981	Perez	.....	15/104.33
4,317,247	A	*	3/1982	Levine	.....	15/104.33
4,340,988	A	*	7/1982	Shames et al.	.....	15/104.33
D281,918	S	*	12/1985	Levine	.....	D32/14
4,706,321	A	*	11/1987	Kaye	.....	15/104.33
D307,496	S	*	4/1990	Moss	.....	D32/14

D311,076	S	*	10/1990	Kaye	.....	D32/14
D312,713	S	*	12/1990	Levine	.....	D32/14
5,018,234	A	*	5/1991	Meyer et al.	.....	15/104.33

(Continued)

**OTHER PUBLICATIONS**

K.C. Snaker, "The Precision Auger" brochure, 2 pages.

*Primary Examiner* — T. Chase Nelson

*Assistant Examiner* — Kathleen M Sims

(74) *Attorney, Agent, or Firm* — Lathorp & Gage LLP

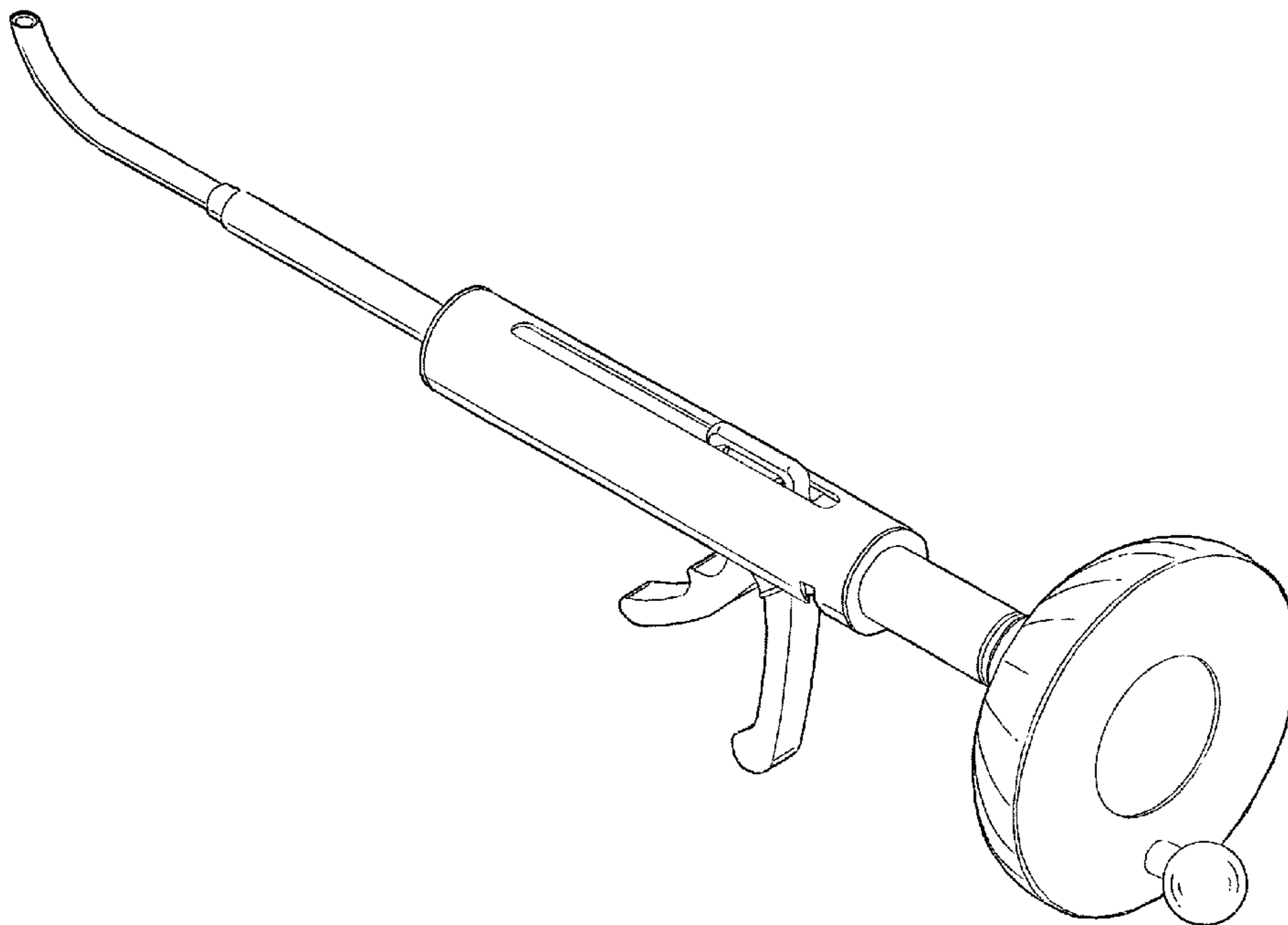
(57) **CLAIM**

The ornamental design for an auger, as shown and described.

**DESCRIPTION**

FIG. 1 is a perspective view of a first embodiment of an auger showing our new design;  
FIG. 2 is a front view of the auger of FIG. 1;  
FIG. 3 is a rear view of auger of FIG. 1;  
FIG. 4 is a right side view of the auger of FIG. 3, the left side being a mirror image thereof;  
FIG. 5 is a top view of the auger of FIG. 1;  
FIG. 6 is a bottom view of the auger of FIG. 1;  
FIG. 7 is a perspective view of a second embodiment of an auger;  
FIG. 8 is a front view of the auger of FIG. 7;  
FIG. 9 is a rear view of the auger of FIG. 7;  
FIG. 10 is a right side view of the auger of FIG. 7, the left side being a mirror image thereof;  
FIG. 11 is a top view of the auger of FIG. 7; and,  
FIG. 12 is a bottom view of the auger of FIG. 7.  
The broken lines depict portions of the auger that form no part of the claimed design.

**1 Claim, 10 Drawing Sheets**



# US D670,874 S

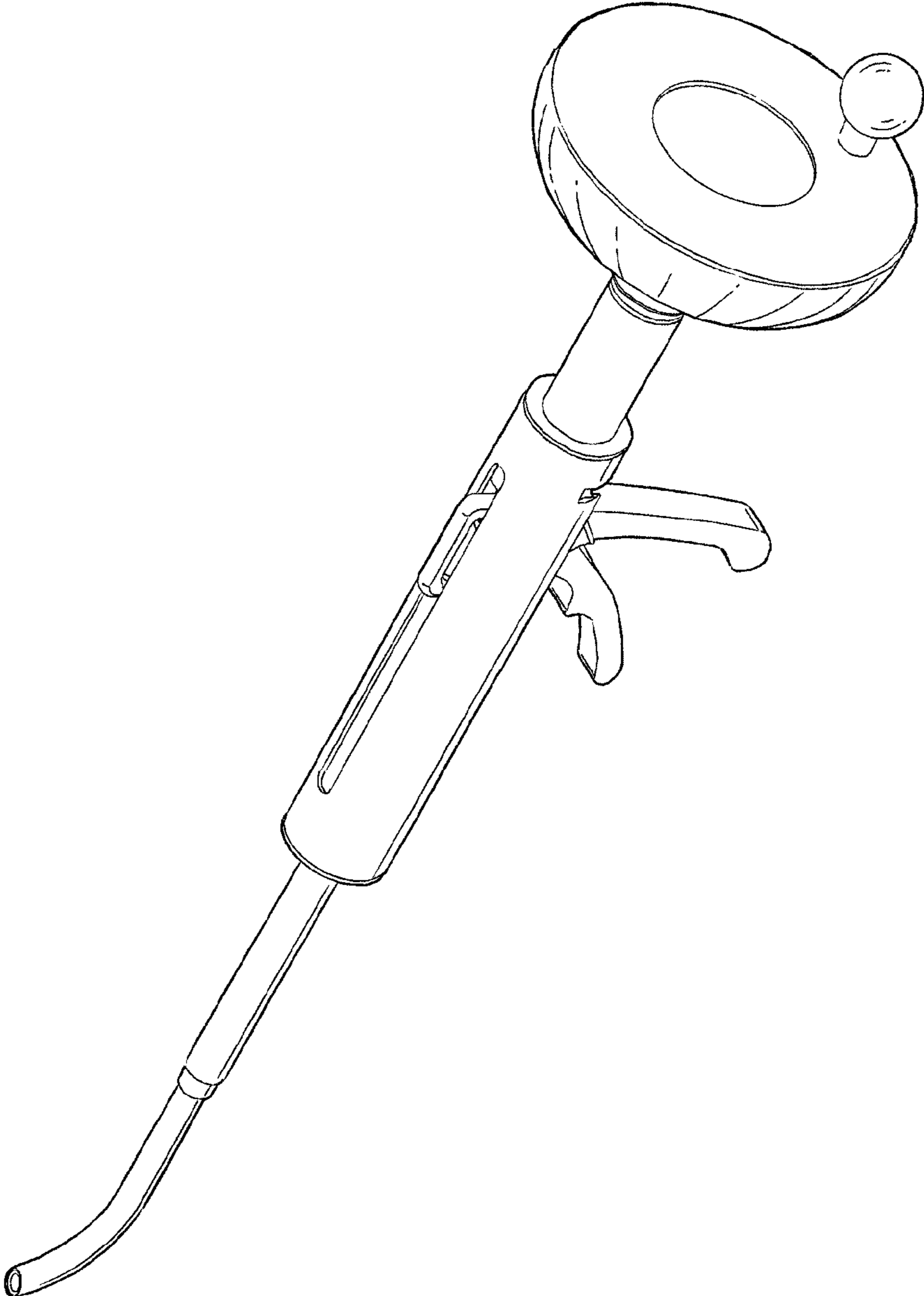
Page 2

---

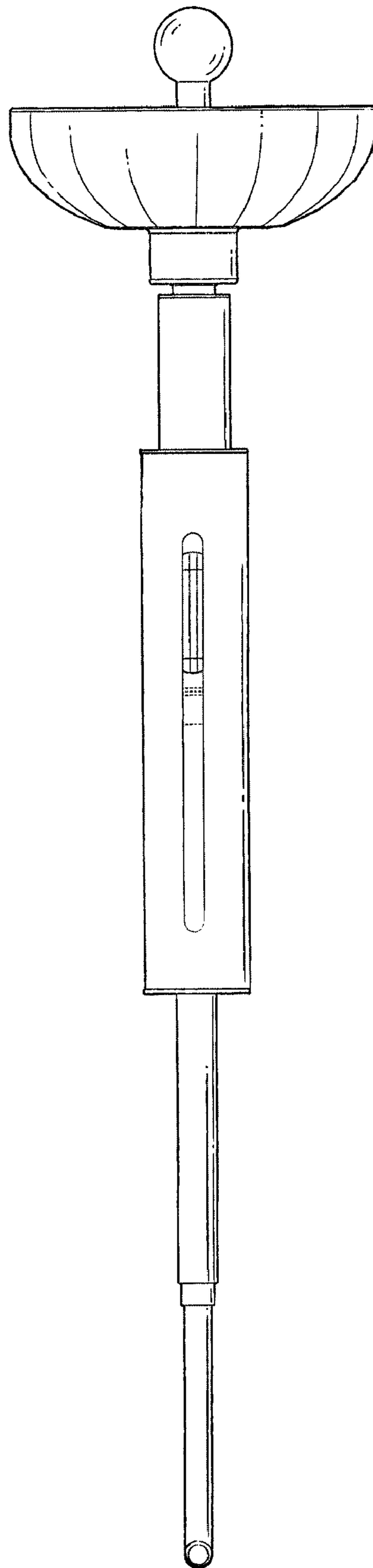
## U.S. PATENT DOCUMENTS

5,029,356	A *	7/1991	Silverman et al. ....	15/104.33	5,987,684	A	11/1999	Evans	
5,173,984	A *	12/1992	Kaye .....	15/104.33	6,158,076	A *	12/2000	Rutkowski et al. ....	15/104.33
D339,431	S *	9/1993	Meyer .....	D32/14	6,470,525	B1 *	10/2002	Silverman .....	15/104.33
5,265,301	A *	11/1993	Irwin .....	15/104.33	6,615,436	B1 *	9/2003	Burch et al. ....	15/104.33
5,301,382	A *	4/1994	Stout .....	15/104.33	D582,108	S *	12/2008	Duff et al. ....	D32/14

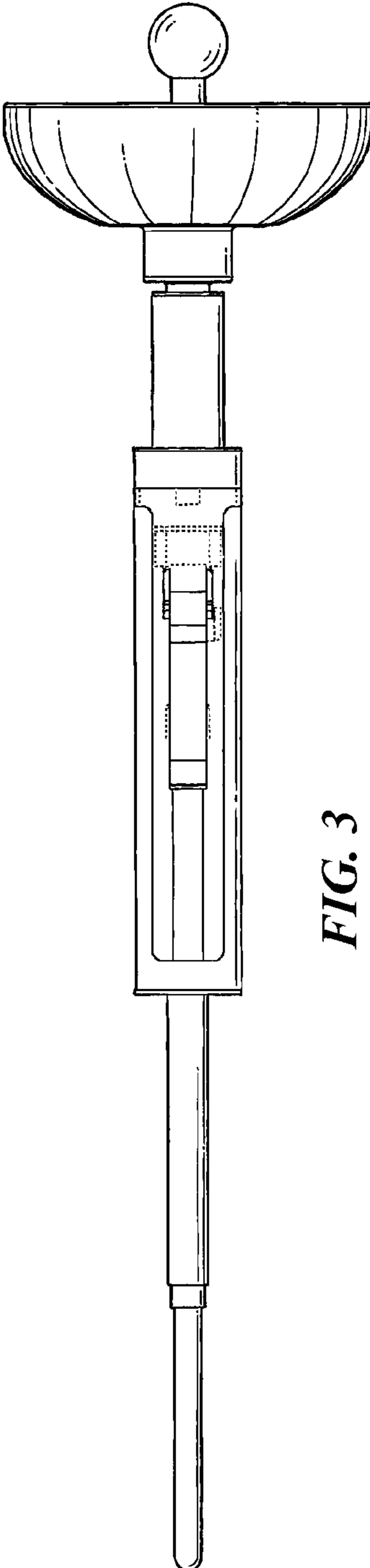
\* cited by examiner



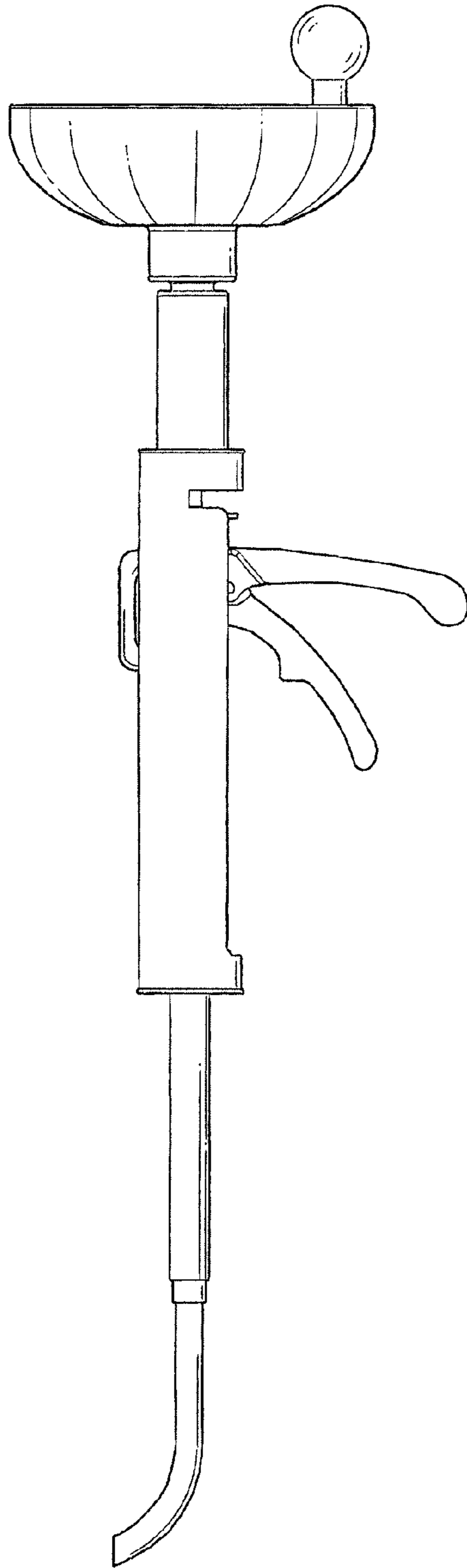
**FIG. 1**



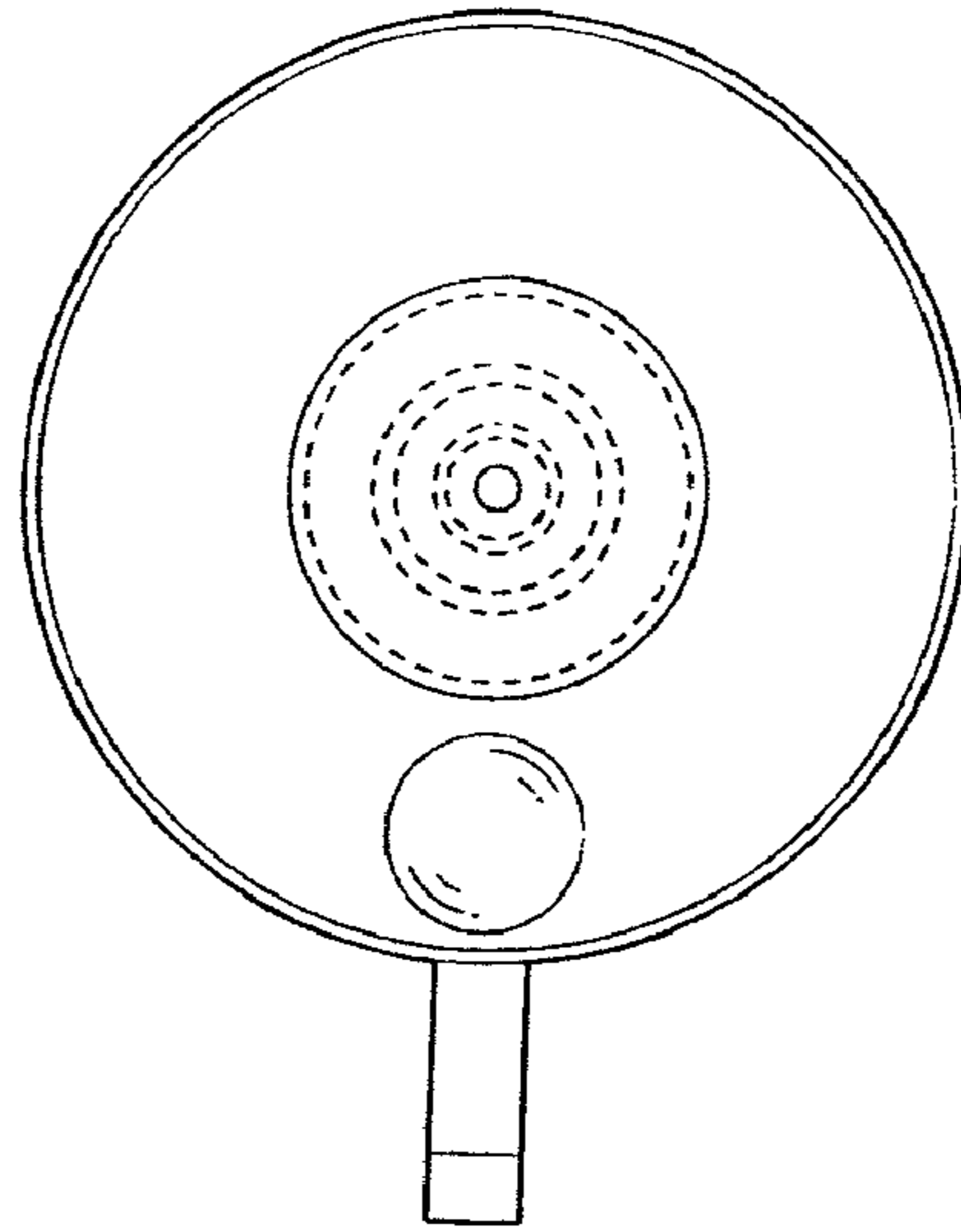
*FIG. 2*



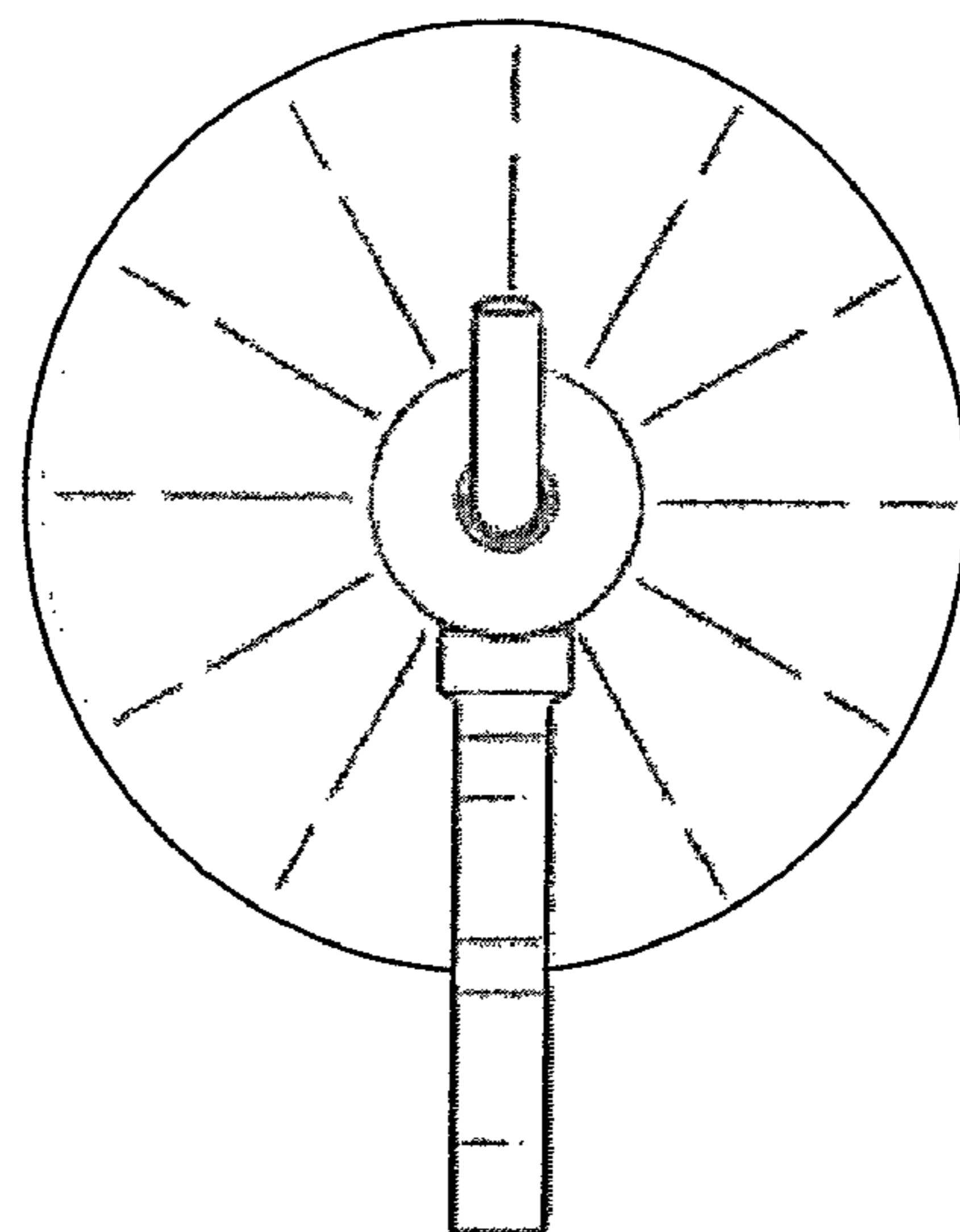
*FIG. 3*



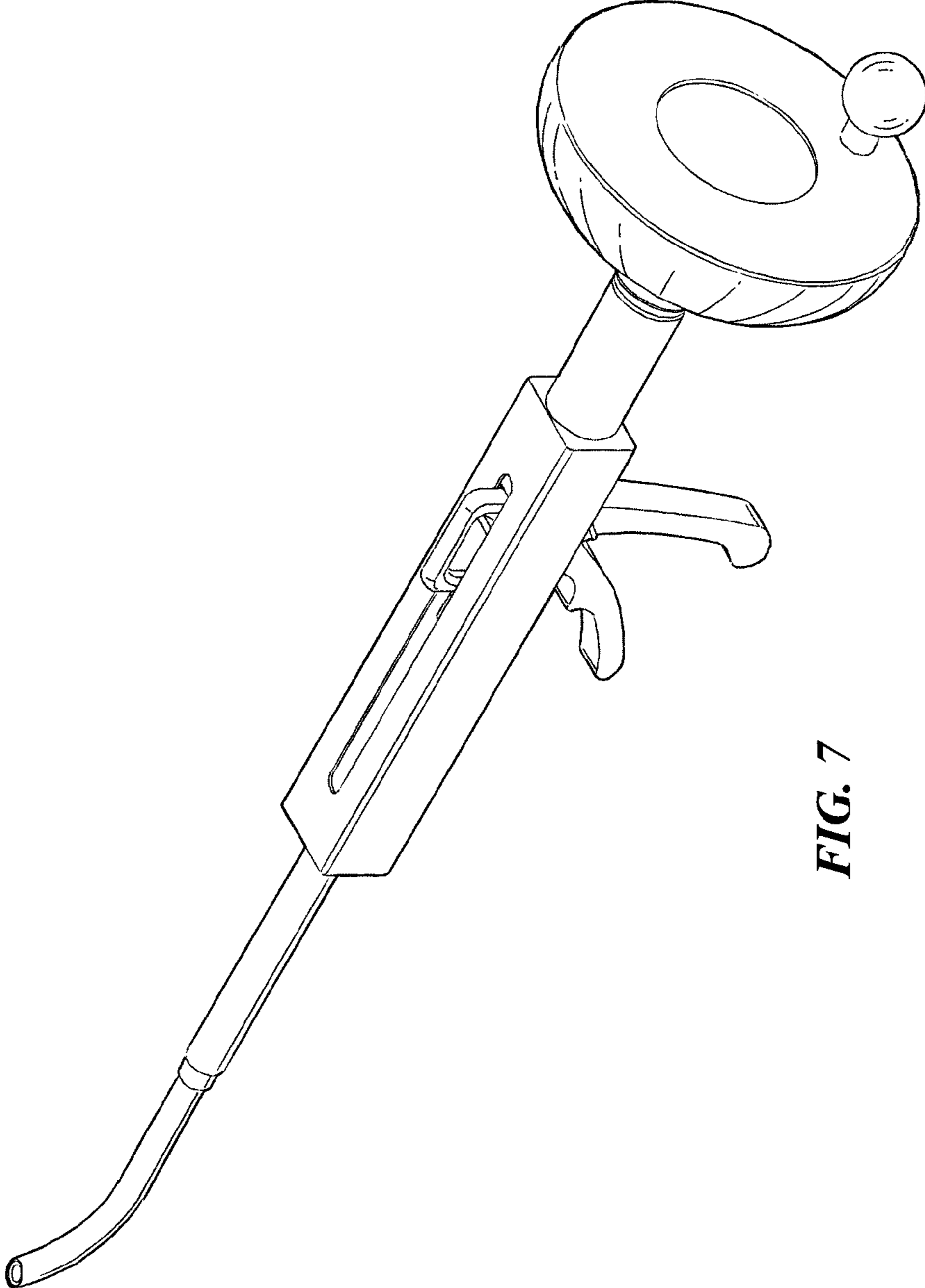
**FIG. 4**



**FIG. 5**

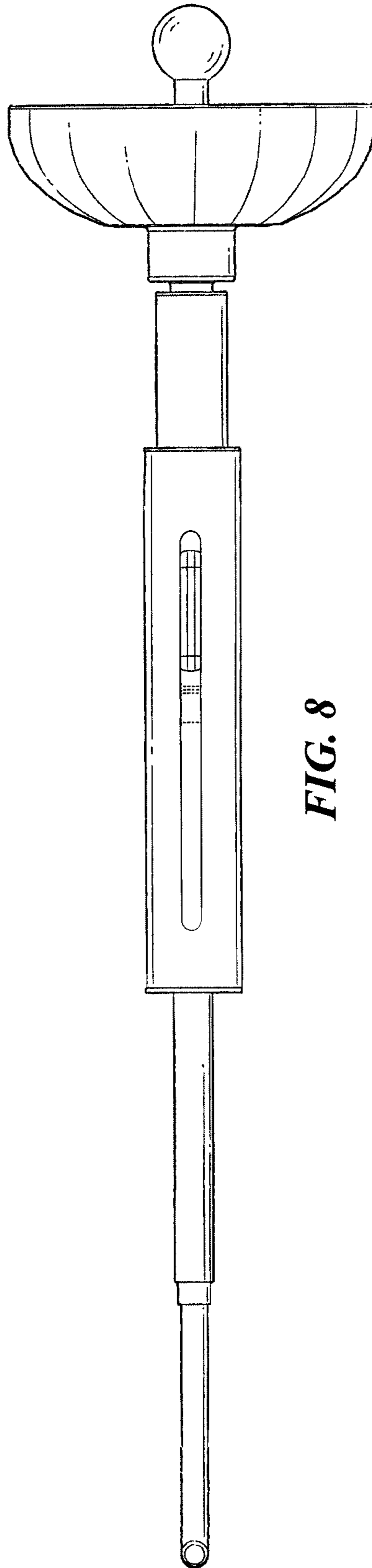


**FIG. 6**

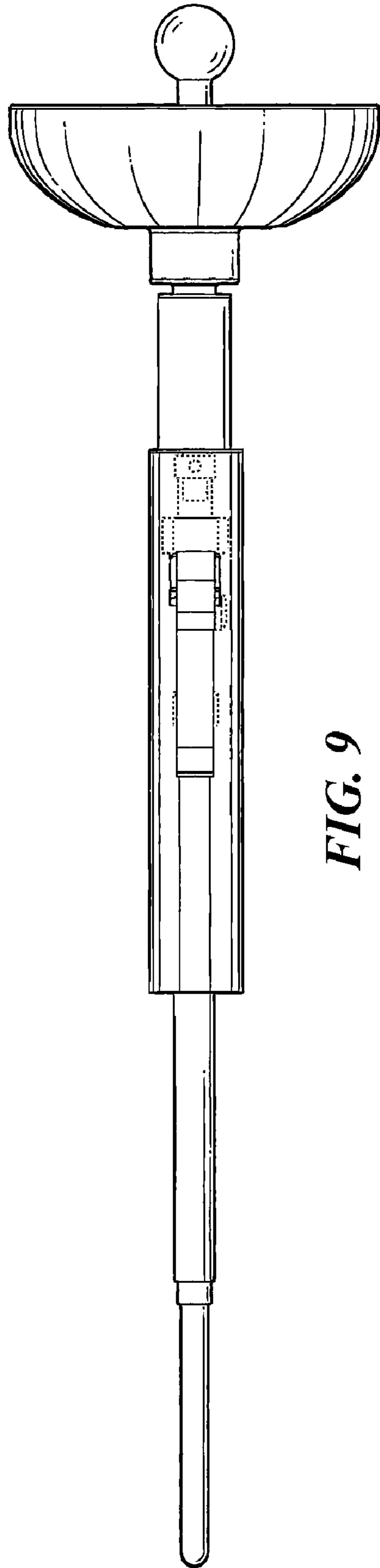


**FIG. 7**

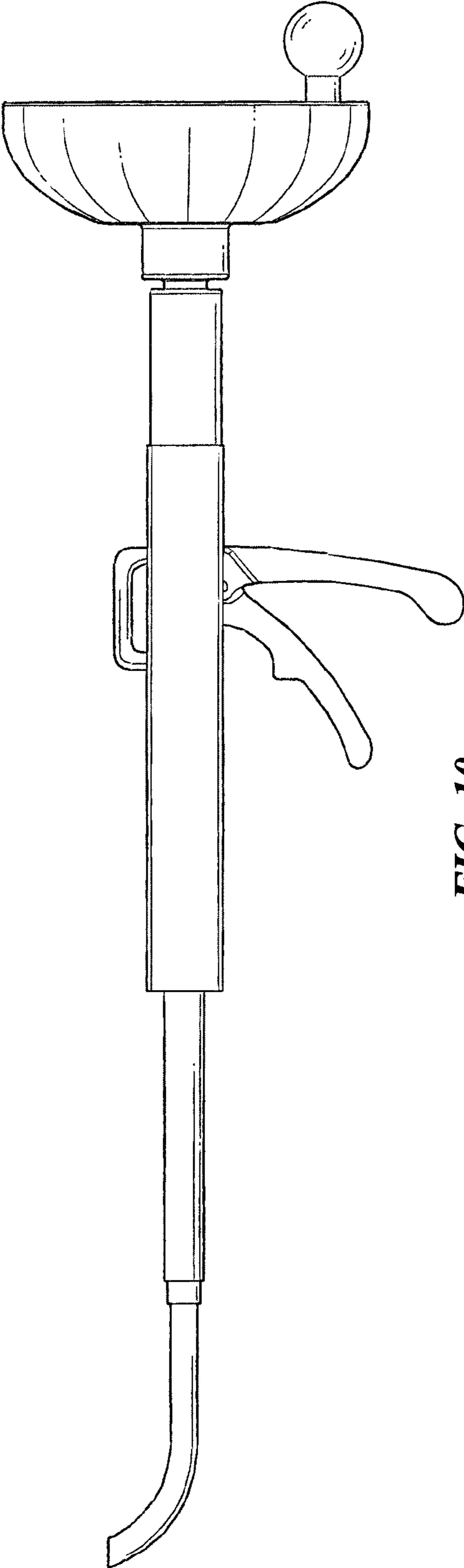




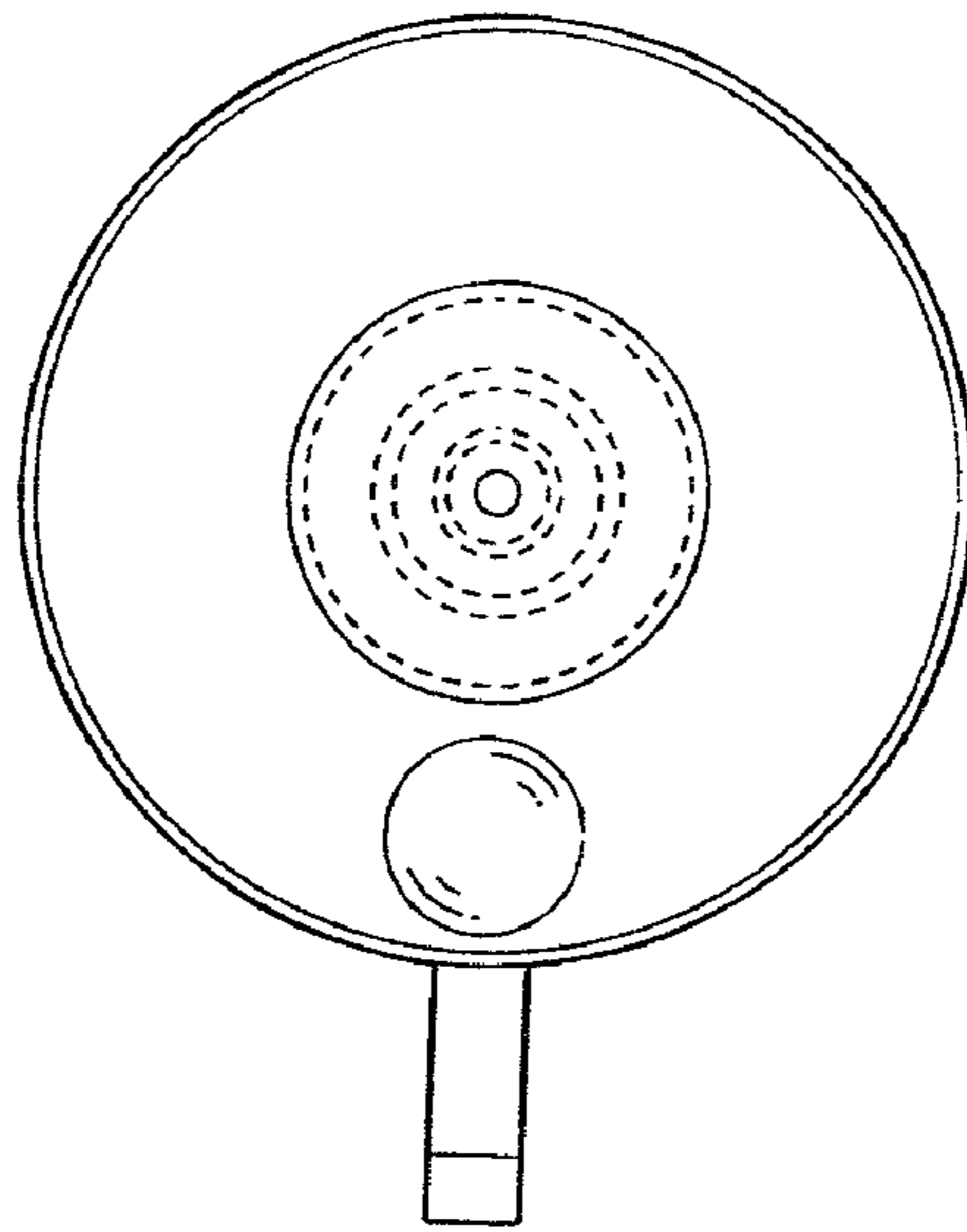
**FIG. 8**



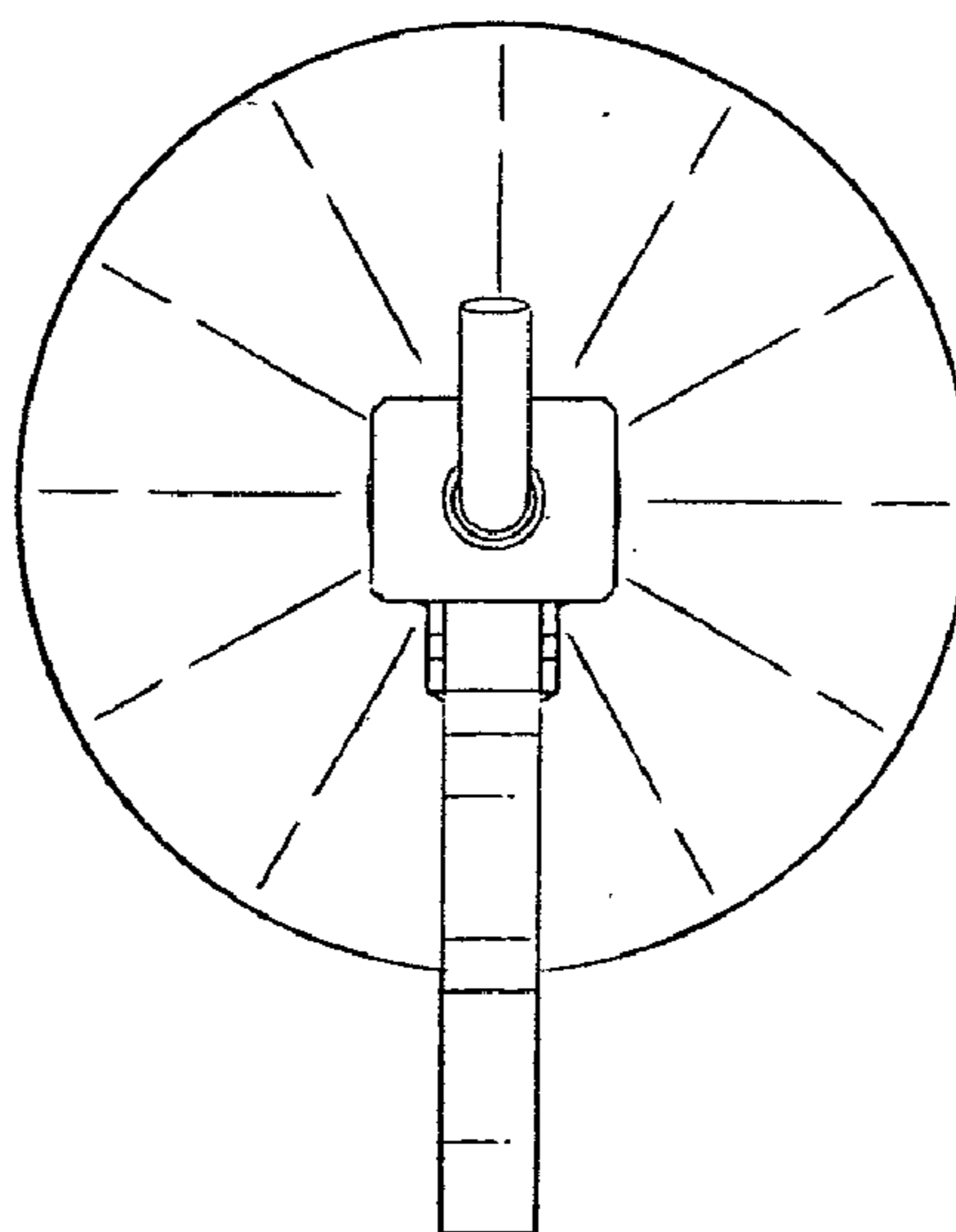
*FIG. 9*



*FIG. 10*



**FIG. 11**



**FIG. 12**