



US00D670870S

(12) **United States Design Patent**
Harris

(10) **Patent No.:** **US D670,870 S**
(45) **Date of Patent:** **** Nov. 13, 2012**

- (54) **HELMET PADDING**
- (75) Inventor: **Kerry Sheldon Harris**, San Antonio, TX (US)
- (73) Assignee: **A7 Helmet Systems, LLC**, Chicago, IL (US)
- (**) Term: **14 Years**
- (21) Appl. No.: **29/392,342**
- (22) Filed: **May 19, 2011**

Related U.S. Application Data

- (63) Continuation-in-part of application No. 13/103,729, filed on May 9, 2011.
 - (51) **LOC (9) Cl.** **29-02**
 - (52) **U.S. Cl.** **D29/122**
 - (58) **Field of Classification Search** D29/102-107, D29/122; 2/5, 6.1, 6.3, 6.7, 41-412, 414, 2/422-425, 9-10; D2/869-870, 872, 882, D2/884, 891
- See application file for complete search history.

References Cited

U.S. PATENT DOCUMENTS

3,153,792	A *	10/1964	Marietta	2/414
3,582,990	A *	6/1971	Frieder	2/6.6
3,714,668	A *	2/1973	Mirabella	2/419
3,994,020	A	11/1976	Villari		
3,994,021	A	11/1976	Villari et al.		
3,994,022	A	11/1976	Villari et al.		
4,006,496	A	2/1977	Marker		
4,051,555	A	10/1977	Daly		
4,058,854	A	11/1977	Rhee		
4,064,565	A	12/1977	Griffiths		
4,282,610	A	8/1981	Steigerwald et al.		
4,343,047	A	8/1982	Lazowski et al.		

D267,287	S *	12/1982	Gooding	D29/122
4,375,108	A	3/1983	Gooding		
4,519,099	A	5/1985	Kamiya et al.		
4,619,055	A	10/1986	Davidson		
4,808,469	A	2/1989	Hiles		
4,821,344	A	4/1989	Kamata		
4,843,642	A	7/1989	Brower		
4,853,980	A	8/1989	Zarotti		
4,944,044	A	7/1990	Zarotti		
5,035,009	A	7/1991	Wingo, Jr. et al.		
5,056,162	A	10/1991	Tirums		
5,088,129	A	2/1992	Kamata		
5,150,479	A	9/1992	Oleson		
5,181,279	A	1/1993	Ross		
5,237,707	A	8/1993	Lowrie		
5,259,071	A	11/1993	Scott et al.		
5,272,773	A	12/1993	Kamata		
5,448,780	A	9/1995	Gath		
D364,487	S *	11/1995	Tutton et al.	D29/122

(Continued)

OTHER PUBLICATIONS

ASDNews, "Combat Helmet Continues to Evolve, Step by Step," published Apr. 21, 2011, 3 pages.

Primary Examiner — Ruth McInroy

(74) *Attorney, Agent, or Firm* — Hanley, Flight & Zimmerman, LLC

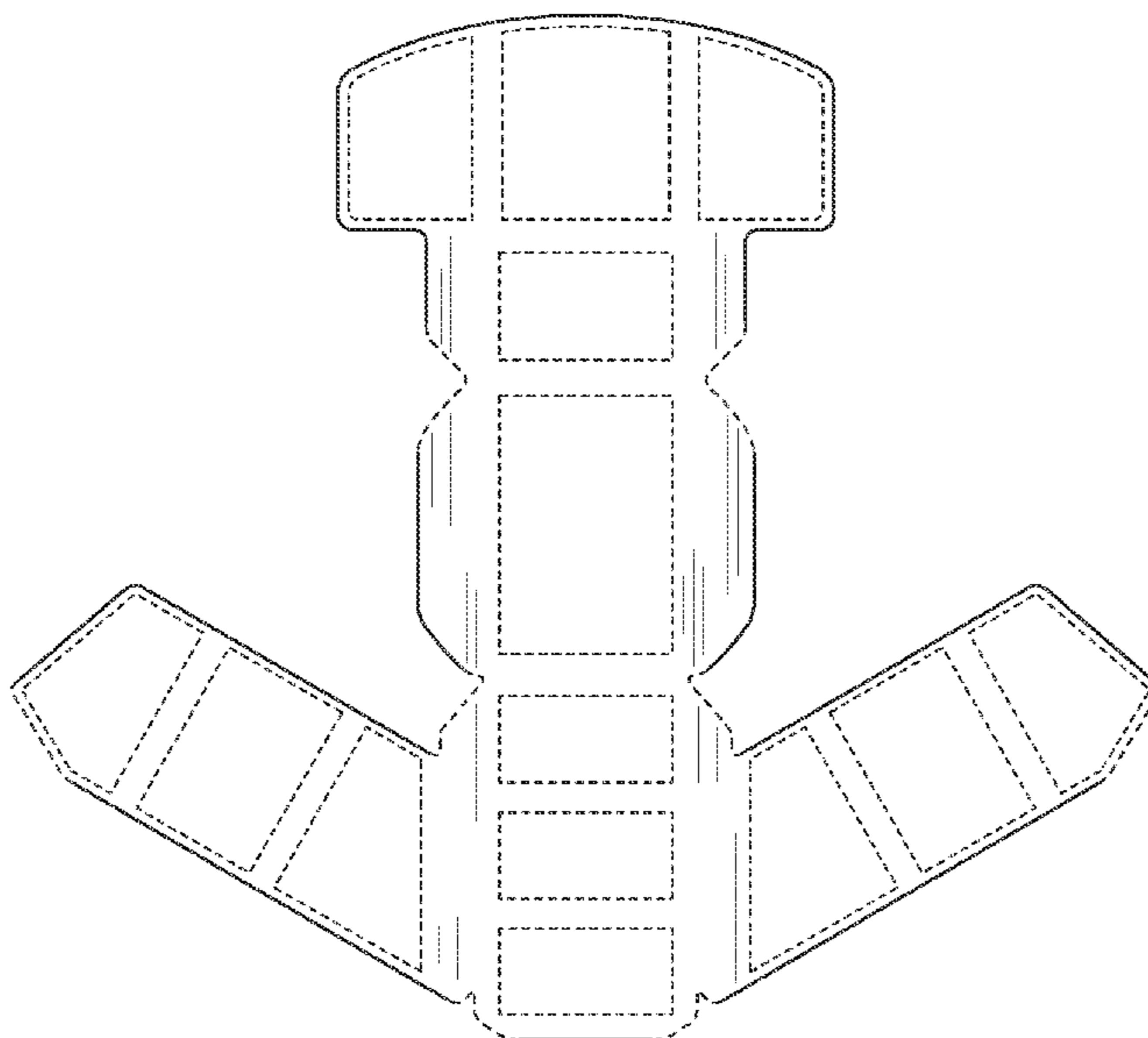
(57) **CLAIM**

I claim the ornamental design for a helmet padding, as shown and described.

DESCRIPTION

FIG. 1 is a plan view of helmet padding; and, FIG. 2 is a side view of the helmet padding of FIG. 1. The features shown in broken lines are for illustrative purposes only and do not form part of the claimed design.

1 Claim, 1 Drawing Sheet



US D670,870 S

U.S. PATENT DOCUMENTS

5,517,691	A	5/1996	Blake				
5,603,117	A	2/1997	Hudner, Jr. et al.				
5,655,227	A	8/1997	Sundberg et al.				
5,666,670	A	9/1997	Ryan et al.				
5,680,656	A	10/1997	Gath				
5,720,051	A	2/1998	Johnson				
5,826,279	A	10/1998	Tencer				
5,915,537	A	6/1999	Dallas et al.				
5,930,840	A *	8/1999	Arai	2/411			
5,943,706	A	8/1999	Miyajima et al.				
6,058,515	A	5/2000	Kitahara				
6,226,801	B1	5/2001	Alexander et al.				
6,272,692	B1	8/2001	Abraham				
6,385,780	B1	5/2002	Racine				
6,421,841	B2	7/2002	Ikeda				
6,446,271	B1	9/2002	Ho				
6,453,476	B1	9/2002	Moore, III				
6,530,092	B2	3/2003	Pope				
6,536,052	B2	3/2003	Tao et al.				
D475,486	S *	6/2003	Ide et al.	D29/122			
6,609,254	B2	8/2003	Bielefeld et al.				
6,665,884	B1	12/2003	Demps et al.				
6,681,409	B2	1/2004	Dennis et al.				
D491,695	S *	6/2004	Long	D29/122			
D495,096	S *	8/2004	Long	D29/122			
6,804,829	B2	10/2004	Crye et al.				
6,883,181	B2	4/2005	Long				
6,952,839	B2	10/2005	Long				
6,964,066	B2	11/2005	Tucker				
D523,180	S *	6/2006	Frye	D29/122			
7,159,249	B2	1/2007	Dennis et al.				
7,299,505	B2	11/2007	Dennis et al.				
7,316,036	B2	1/2008	Rudolf et al.				
D612,545	S *	3/2010	Pliszka	D29/122			
7,676,854	B2	3/2010	Berger et al.				
D617,503	S *	6/2010	Szalkowski et al.	D29/122			
D621,099	S *	8/2010	Johnson et al.	D29/122			
7,765,621	B2	8/2010	Lardeau				
7,765,622	B2	8/2010	Wiles				
7,802,320	B2	9/2010	Morgan				
D637,356	S *	5/2011	Green et al.	D29/122			
D640,422	S *	6/2011	Green et al.	D29/122			
2001/0032351	A1	10/2001	Nakayama et al.				
2002/0116749	A1	8/2002	Bielefeld et al.				
2002/0189004	A1	12/2002	Aaron				
2003/0005511	A1	1/2003	Tao et al.				
2005/0278834	A1	12/2005	Lee				
2006/0101559	A1	5/2006	Moore, III et al.				
2006/0112477	A1	6/2006	Schneider				
2007/0119538	A1	5/2007	Price et al.				
2008/0141429	A1	6/2008	Scharpenack et al.				
2008/0250549	A1	10/2008	Summers et al.				
2009/0031479	A1	2/2009	Rush, III				
2009/0031481	A1	2/2009	Dennis et al.				
2009/0133183	A1	5/2009	Burek et al.				
2009/0158506	A1 *	6/2009	Thompson et al.	2/411			
2009/0178184	A1	7/2009	Brine, III et al.				
2009/0265839	A1	10/2009	Young et al.				
2010/0000009	A1	1/2010	Morgan				
2010/0083423	A1	4/2010	Erickson et al.				
2010/0170022	A1	7/2010	Griffiths				
2010/0299813	A1	12/2010	Morgan				
2011/0072548	A1	3/2011	Hersick et al.				

* cited by examiner

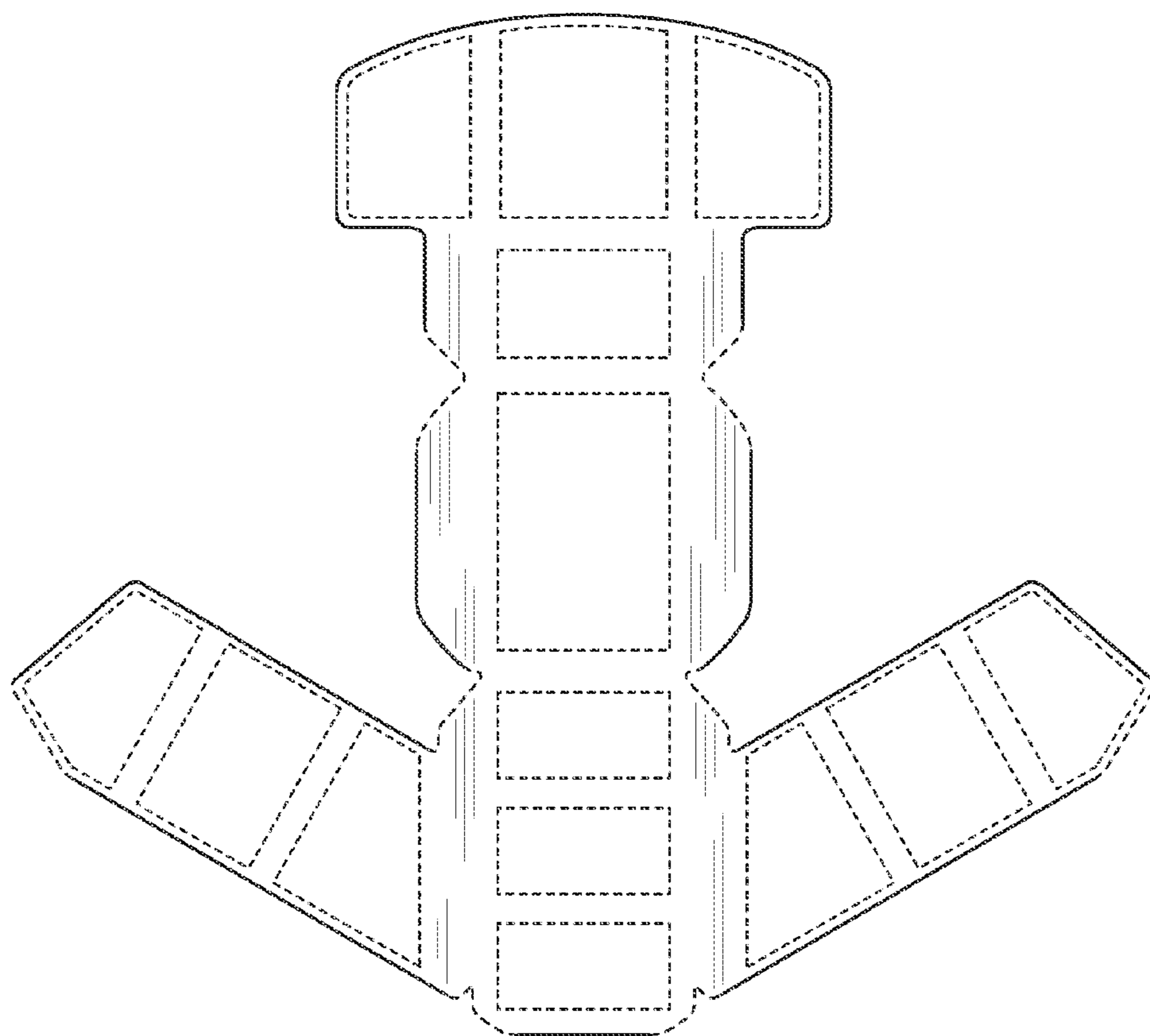


FIG. 1

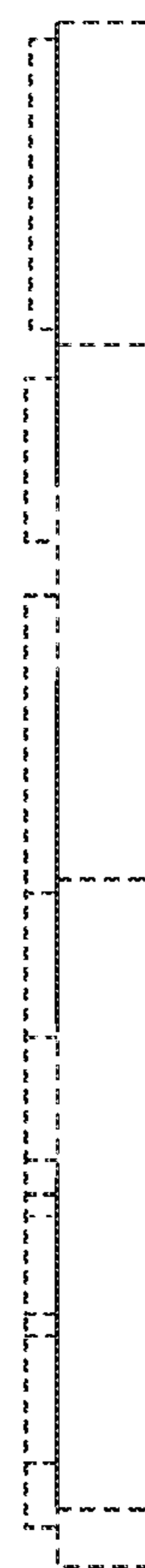


FIG. 2