



US00D670866S

(12) **United States Design Patent**
Chappuis

(10) **Patent No.:** **US D670,866 S**

(45) **Date of Patent:** **** Nov. 13, 2012**

(54) **BITE GUARD**

(76) Inventor: **James L. Chappuis**, Atlanta, GA (US)

(**) Term: **14 Years**

(21) Appl. No.: **29/406,416**

(22) Filed: **Nov. 14, 2011**

(51) **LOC (9) Cl.** **29-02**

(52) **U.S. Cl.** **D29/108**

(58) **Field of Classification Search** D29/100,
D29/102, 105, 106, 107, 108, 111, 122;
D24/108-110.5, 176, 180, 181; 128/859,
128/860, 861, 862, 846, 857, 848; 602/902;
433/6, 18, 24, 168.1; 2/9, 424, 425

See application file for complete search history.

D621,942 S * 8/2010 Massad D24/181
D623,357 S * 9/2010 Manzo et al. D29/108
D627,107 S * 11/2010 Manzo et al. D29/108
D634,480 S * 3/2011 Manzo et al. D29/108
D644,791 S * 9/2011 Petrocelli D29/108
D648,900 S * 11/2011 Manzo D29/108
2010/0051038 A1* 3/2010 Quigless 128/861

* cited by examiner

Primary Examiner — Elizabeth J Oswecki

(74) *Attorney, Agent, or Firm* — McHale & Slavin, P.A.

(57) **CLAIM**

The ornamental design for a bite guard, as shown and described.

(56) **References Cited**

U.S. PATENT DOCUMENTS

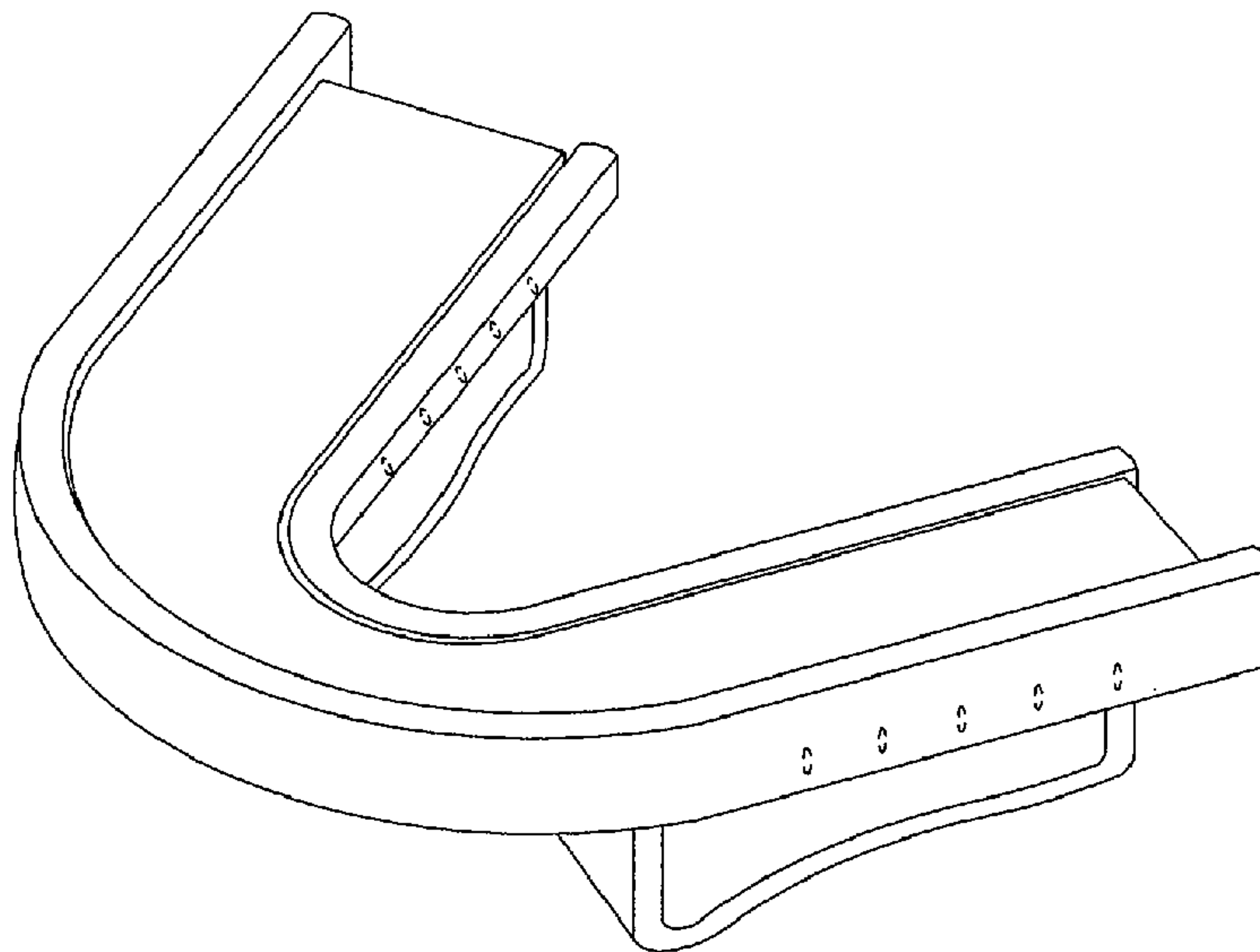
3,312,218 A * 4/1967 Jacobs 128/862
3,333,582 A * 8/1967 Cathcart 128/862
4,185,817 A * 1/1980 Peterson 482/11
5,566,684 A * 10/1996 Wagner 128/861
6,584,978 B1 * 7/2003 Brett et al. 128/859
D492,785 S * 7/2004 Garabito D24/181
D504,744 S * 5/2005 Hidalgo et al. D29/108
D526,095 S * 8/2006 Manzo et al. D29/108
D530,425 S * 10/2006 Carlson D24/181
D541,481 S * 4/2007 Farrell D29/108
D548,402 S * 8/2007 Trodick D29/108
D593,714 S * 6/2009 Hirshberg D29/108
D594,125 S * 6/2009 Lesniak D24/181
D616,152 S * 5/2010 Manzo D29/108

DESCRIPTION

FIG. 1 is a front, right, perspective view of a bite guard showing my new design;
FIG. 2 is a front view thereof;
FIG. 3 is a rear view thereof;
FIG. 4 is a bottom view thereof;
FIG. 5 is a top view thereof;
FIG. 6 is a right side view thereof; and,
FIG. 7 is a left side view thereof.

The portions of the figures illustrated in broken lines depict portions of the bite guard that are not part of the claimed subject matter.

1 Claim, 7 Drawing Sheets



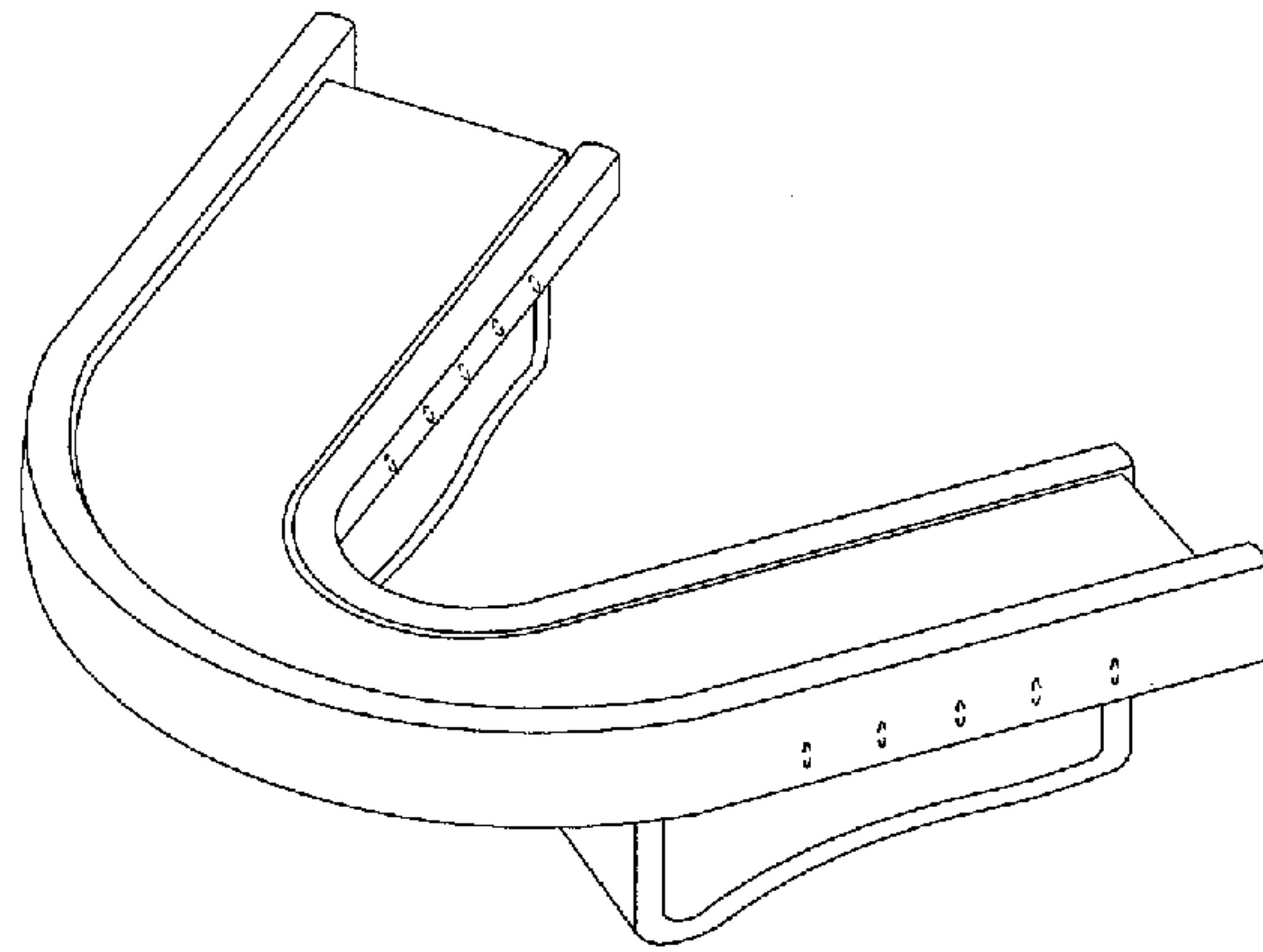


Fig. 1

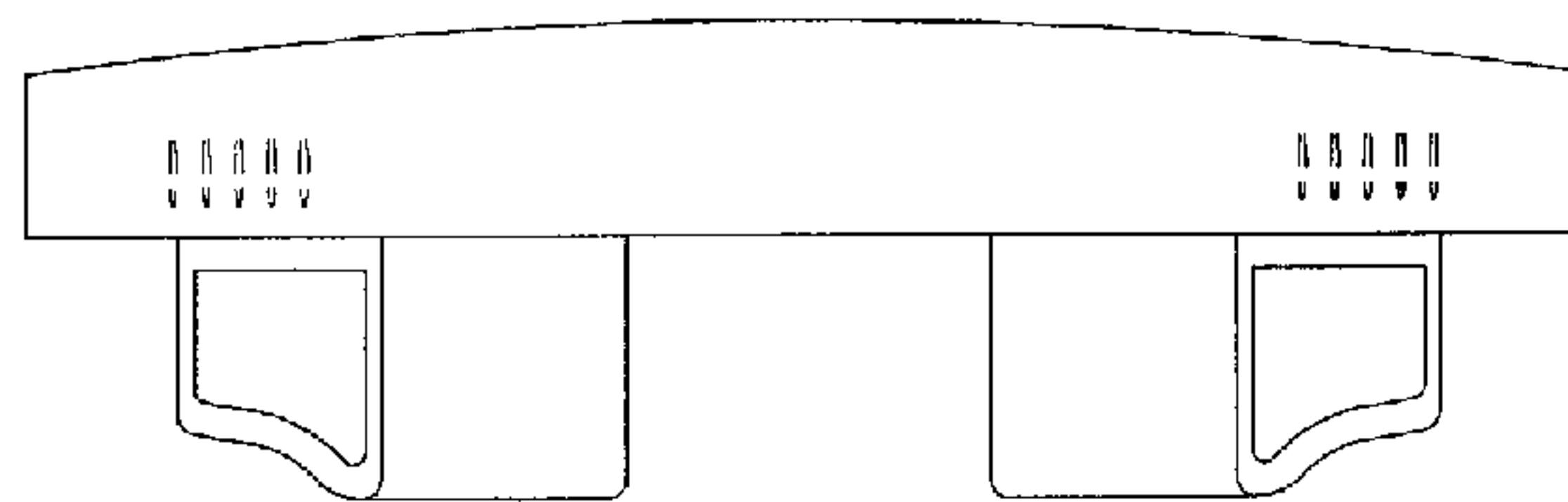


Fig. 2

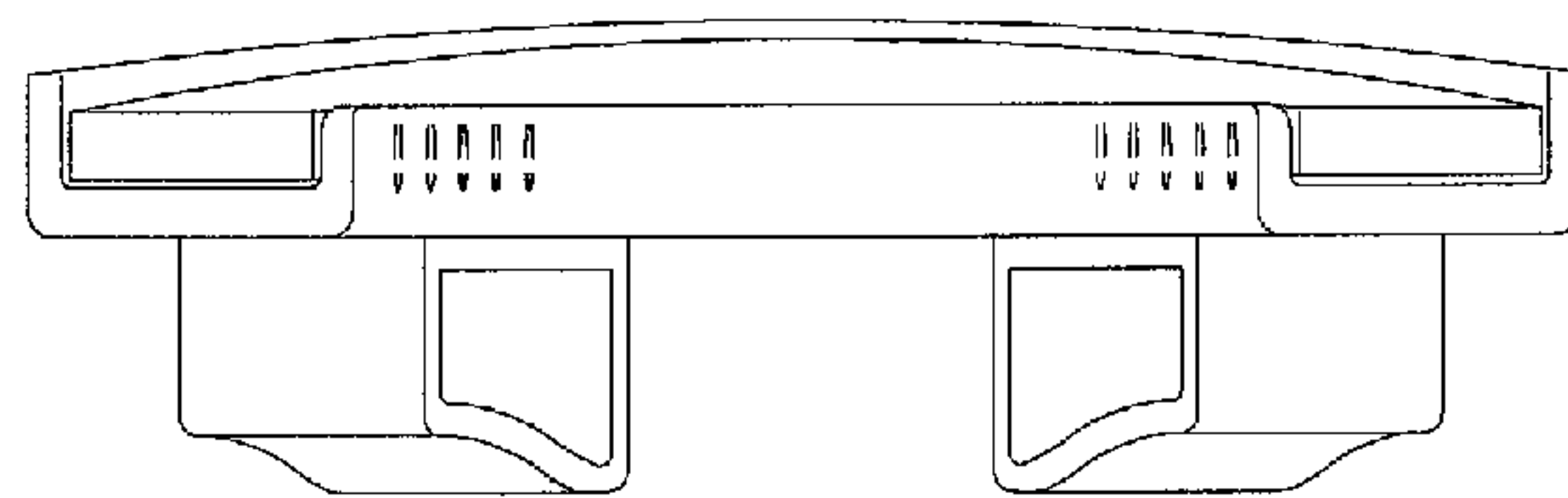


Fig. 3

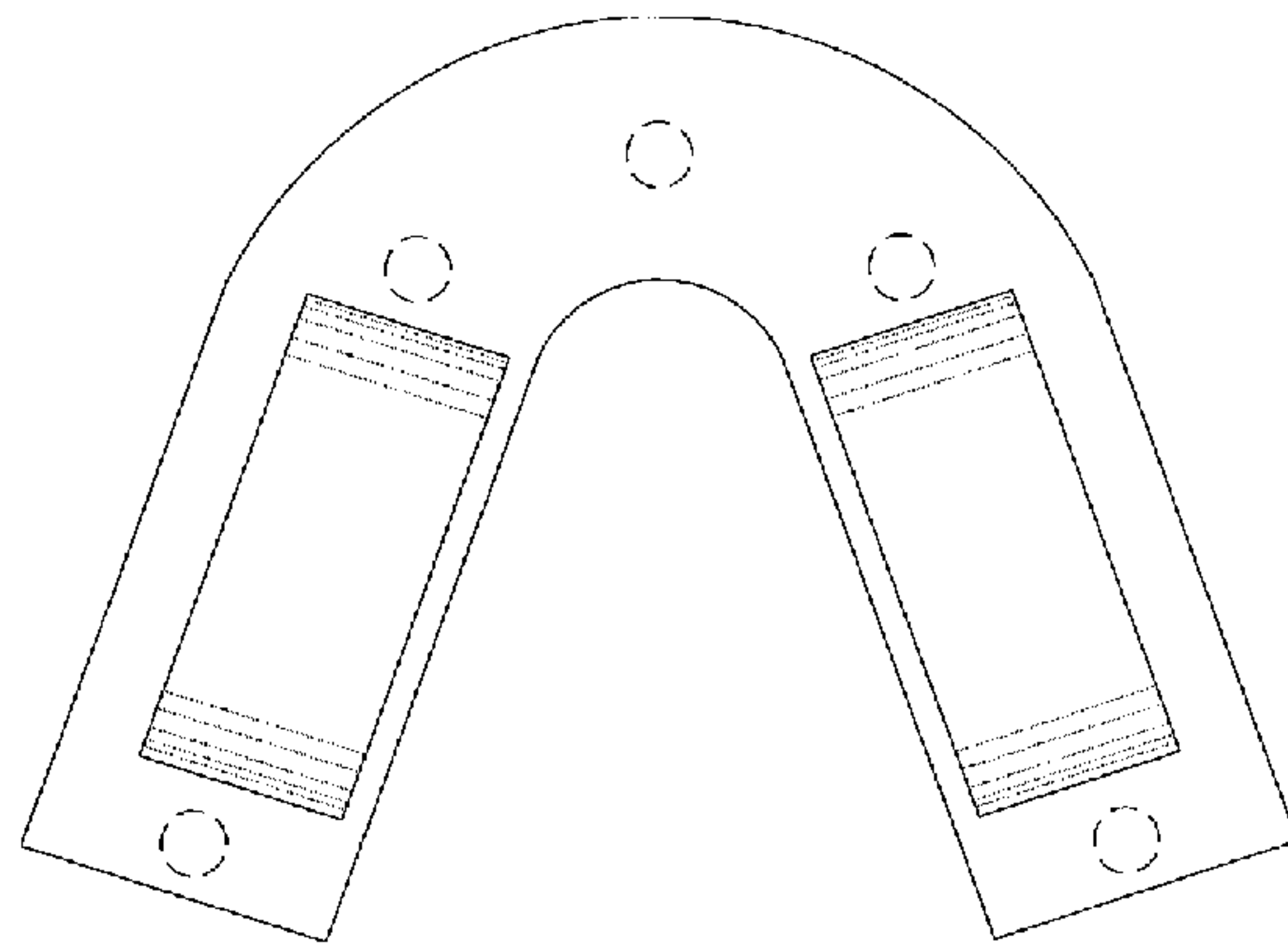


Fig. 4

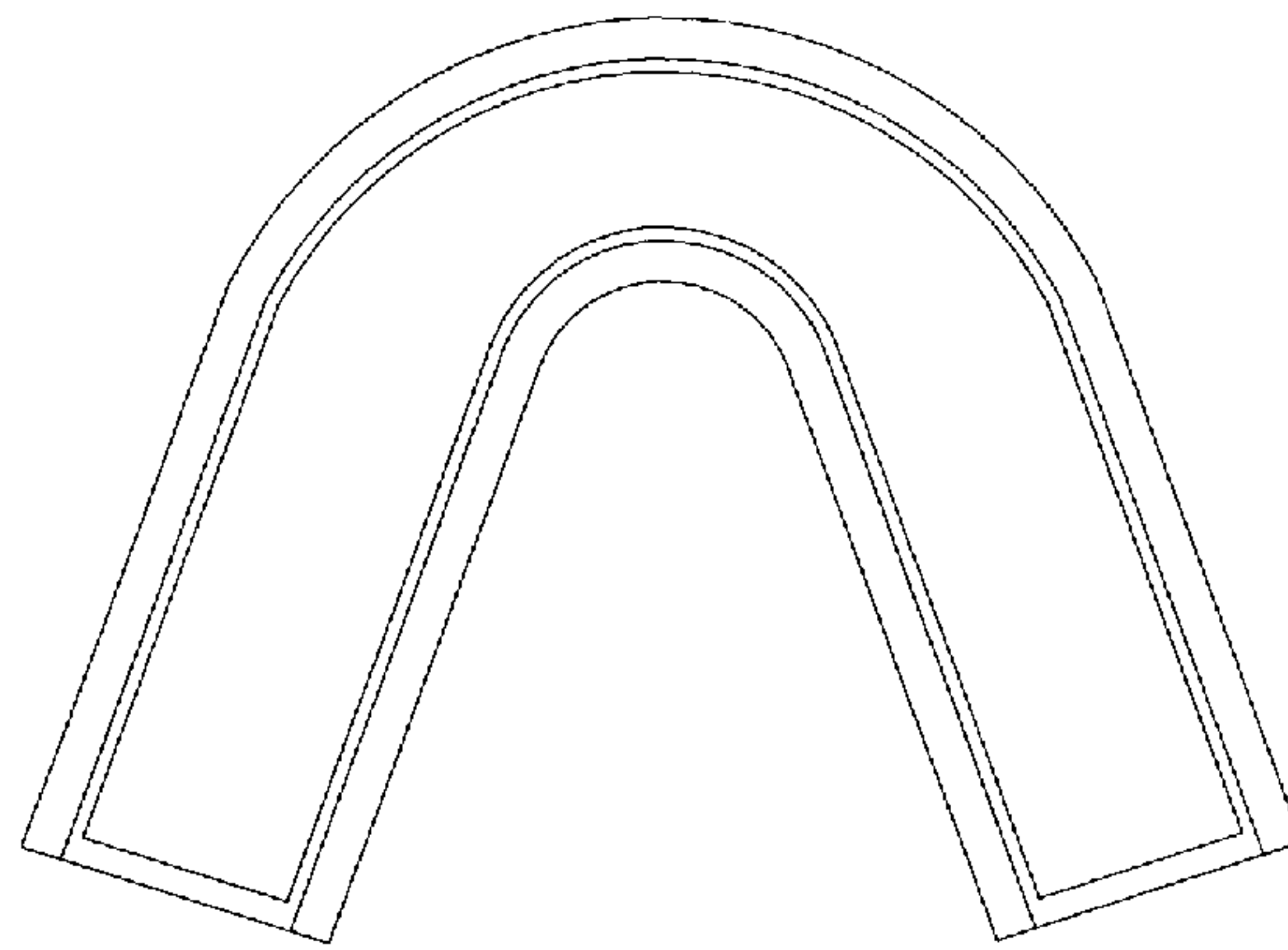


Fig. 5

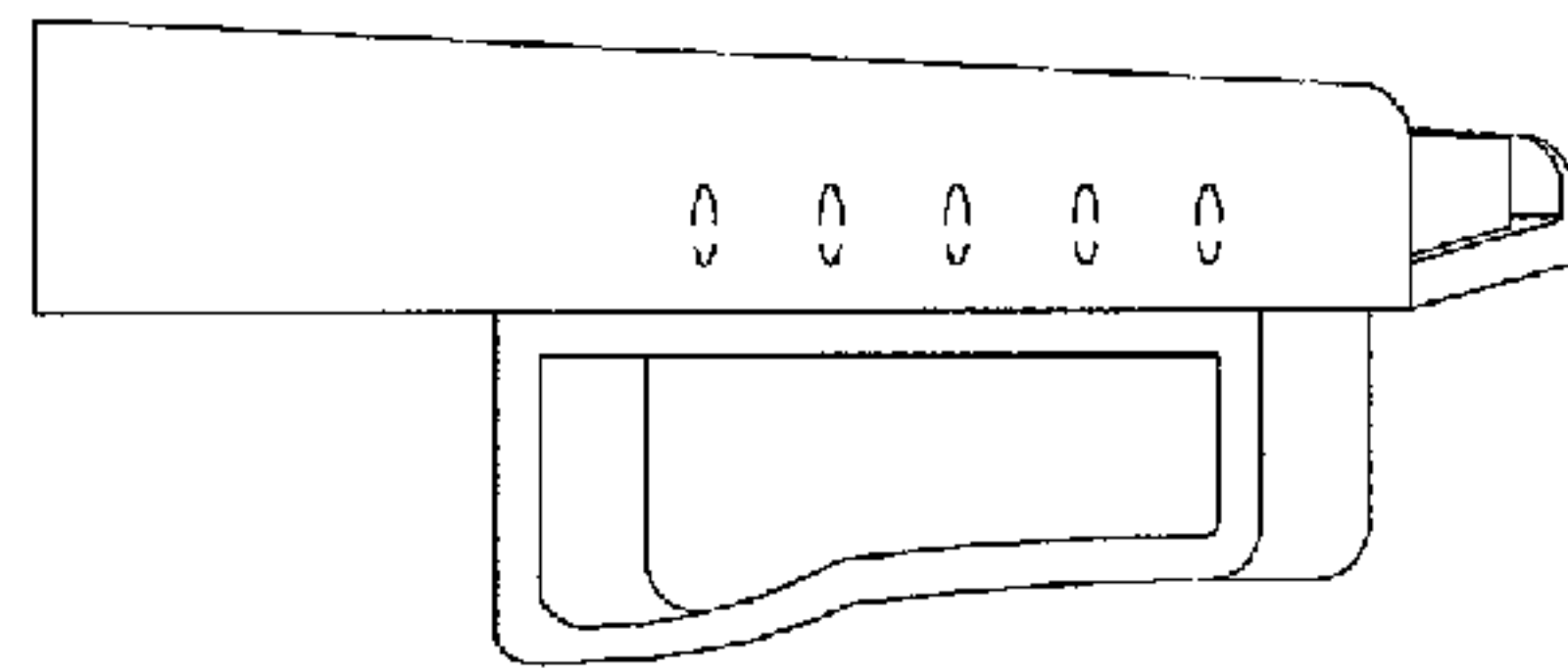


Fig. 6

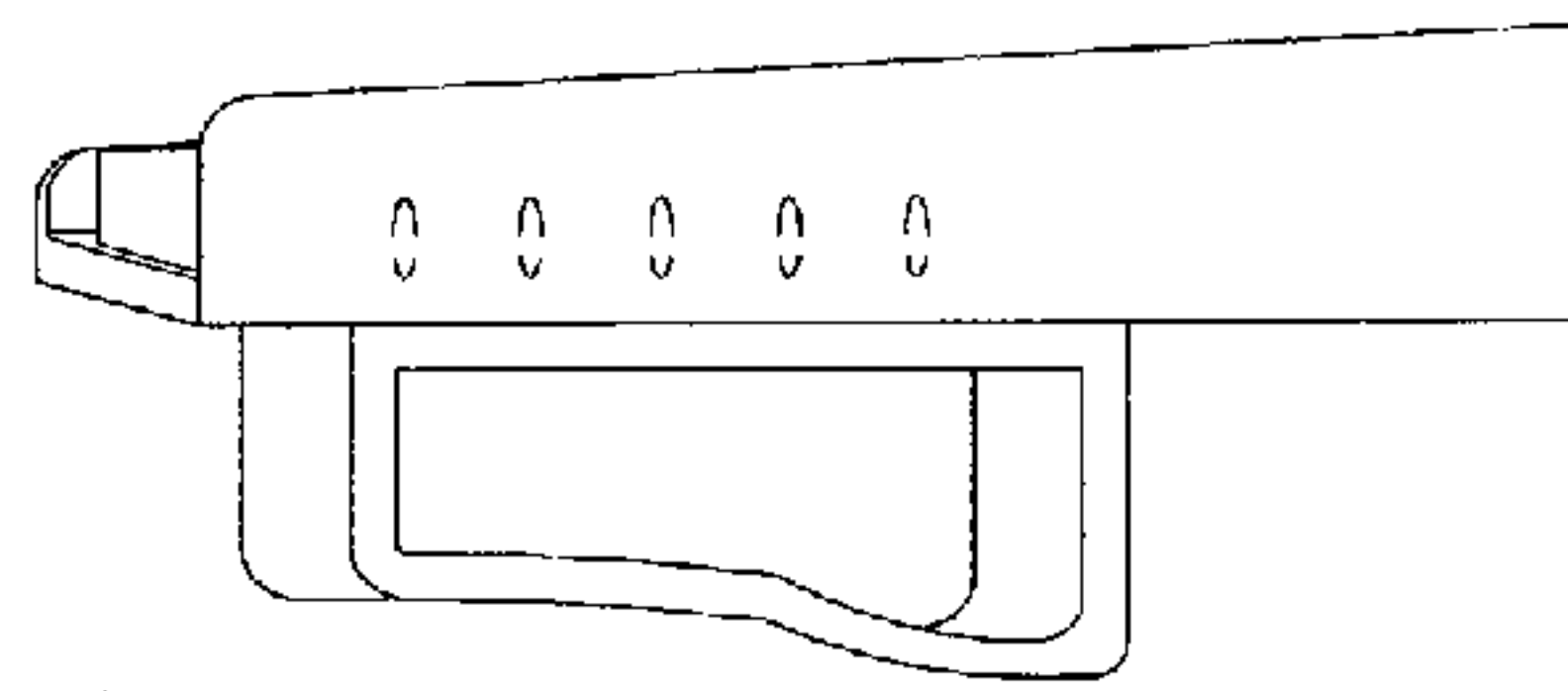


Fig. 7