



US00D670857S

(12) **United States Design Patent**
Butler et al.

(10) **Patent No.:** **US D670,857 S**

(45) **Date of Patent:** **** Nov. 13, 2012**

(54) **LIGHT FIXTURE**

(75) Inventors: **Doyle Scott Butler**, Dunwoody, GA (US); **Daniel Vincent Sekowski**, Loganville, GA (US)

(73) Assignee: **ABL IP Holding LLC**, Conyers, GA (US)

(**) Term: **14 Years**

(21) Appl. No.: **29/406,673**

(22) Filed: **Nov. 17, 2011**

(51) **LOC (9) Cl.** **26-99**

(52) **U.S. Cl.** **D26/138**

(58) **Field of Classification Search** D26/67-71,
D26/92, 113, 138, 141; 362/249.01-249.06,
362/294, 373, 431

See application file for complete search history.

(56) **References Cited**

U.S. PATENT DOCUMENTS

D195,310 S	5/1963	Zagel	
D195,583 S *	7/1963	Phillips	D26/71
D220,778 S	5/1971	Jablonski et al.	
D391,659 S *	3/1998	Gaskins et al.	D26/71
7,329,030 B1	2/2008	Wang	
D573,741 S	7/2008	Lou	
7,420,811 B2	9/2008	Chan	
D580,582 S	11/2008	Fan	
D598,156 S	8/2009	Xiao et al.	
D598,160 S *	8/2009	Boyer et al.	D26/138
D599,939 S	9/2009	Zheng et al.	
D599,942 S	9/2009	Zheng	
D601,292 S	9/2009	Yan et al.	
D603,077 S	10/2009	Kinnune et al.	
7,637,630 B2	12/2009	Wilcox et al.	
7,641,363 B1	1/2010	Chang et al.	
D610,733 S	2/2010	Chang	

7,677,768 B2	3/2010	Huang et al.
7,682,055 B2	3/2010	Shuai et al.
D614,791 S	4/2010	Nibaldi
7,695,161 B2	4/2010	Zhang et al.
7,695,163 B2	4/2010	Yamada et al.
7,699,498 B2	4/2010	Zheng
D615,233 S	5/2010	Josefowicz et al.
D615,234 S	5/2010	Oblak
D615,235 S	5/2010	Zheng
D615,690 S	5/2010	Zheng et al.
D616,592 S	5/2010	Chen
D619,748 S	7/2010	Jong
7,758,211 B2	7/2010	Zheng et al.

(Continued)

Primary Examiner — Clare E Heflin

(74) *Attorney, Agent, or Firm* — Kilpatrick Townsend & Stockton LLP

(57) **CLAIM**

The ornamental design for a light fixture, as shown and described.

DESCRIPTION

FIG. 1 is a top perspective view of a light fixture, showing our new design.

FIG. 2 is a left side view of the light fixture of FIG. 1.

FIG. 3 is a right side view of the light fixture of FIG. 1.

FIG. 4 is a rear view of the light fixture of FIG. 1.

FIG. 5 is a front view of the light fixture of FIG. 1.

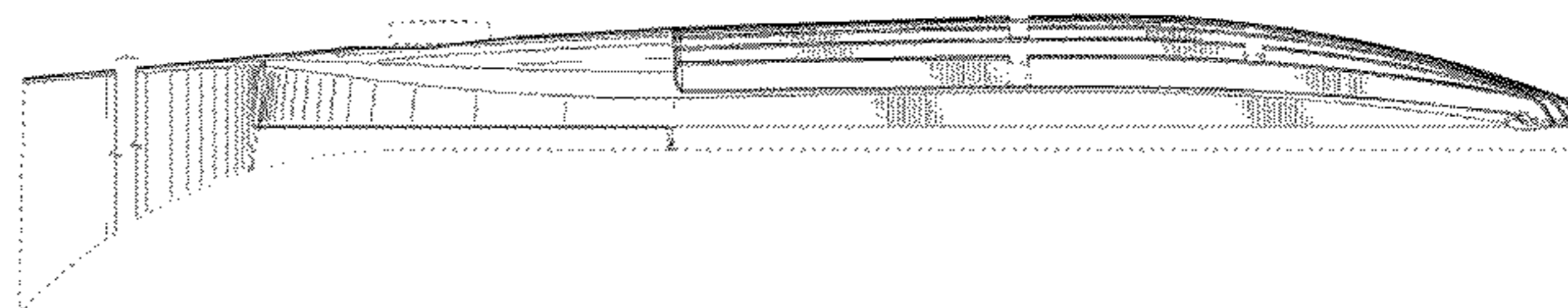
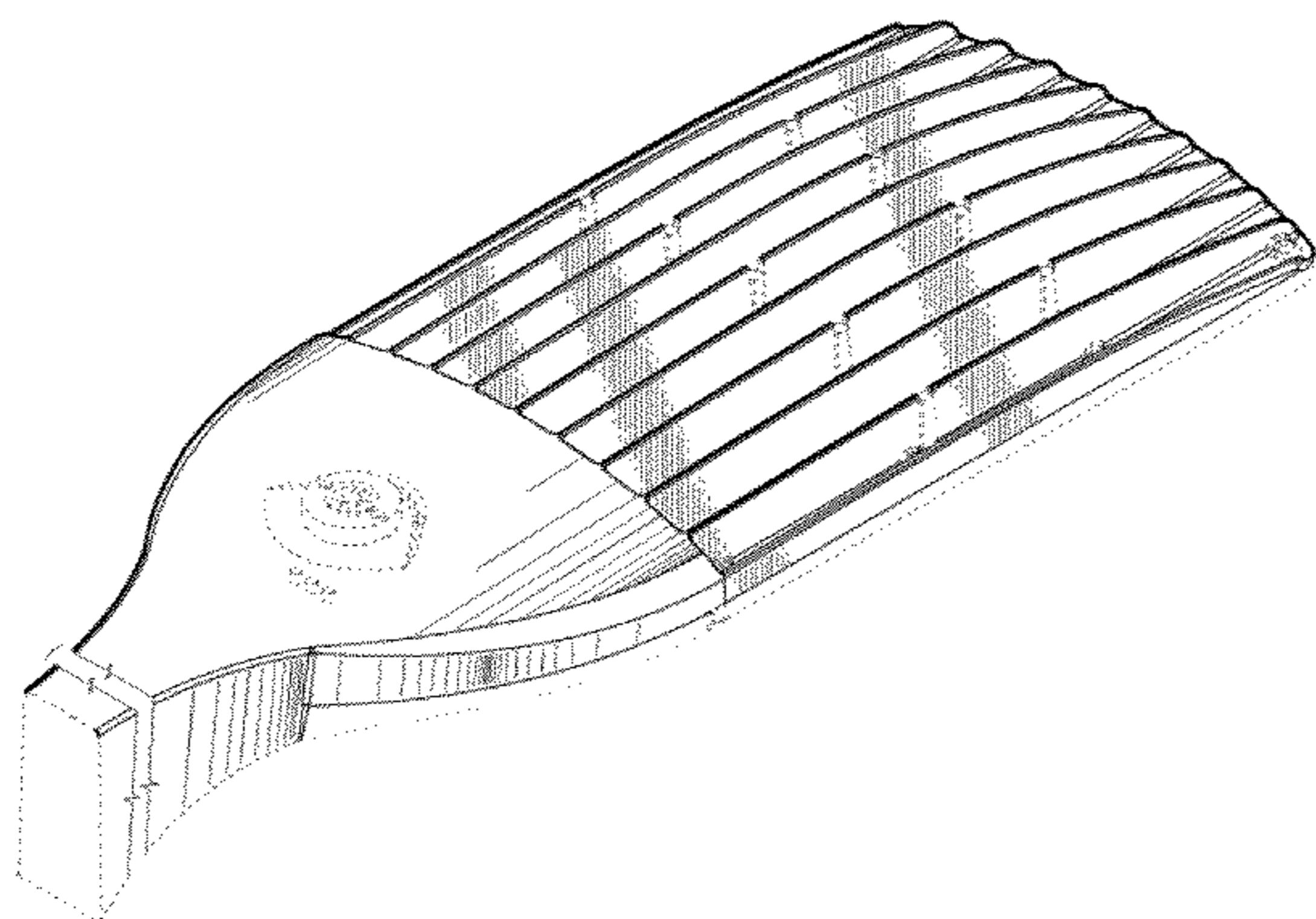
FIG. 6 is a top plan view of the light fixture of FIG. 1,

FIG. 7 is a bottom plan view of the light fixture of FIG. 1; and,

FIG. 8 is a bottom perspective view of the light fixture of FIG. 1.

Portions or features of the light fixture not shown in the drawings form no part of the claimed design. The broken lines in the drawings form no part of the claimed design.

1 Claim, 5 Drawing Sheets



US D670,857 S

Page 2

U.S. PATENT DOCUMENTS								
D622,433	S	8/2010	Waters	D652,978	S *	1/2012	Boissevain et al.	D26/71
D622,888	S	8/2010	Chakravarty et al.	8,113,687	B2 *	2/2012	Villard et al.	362/249.01
7,771,088	B2	8/2010	Chen	D663,462	S	7/2012	Butler et al.	
7,775,692	B2	8/2010	Li	2009/0046460	A1	2/2009	Li	
7,794,116	B2	9/2010	Shuai et al.	2009/0213588	A1	8/2009	Manes	
7,832,898	B2 *	11/2010	Li 362/249.02	2009/0237930	A1	9/2009	Li	
D632,416	S	2/2011	Wright et al.	2009/0244895	A1	10/2009	Chen	
D634,875	S *	3/2011	Jiang et al. D26/71	2009/0251898	A1	10/2009	Kinnune et al.	
D636,920	S	4/2011	Boissevain	2009/0310356	A1	12/2009	Laporte	
D636,929	S *	4/2011	Kong et al. D26/138	2009/0310363	A1	12/2009	Liu et al.	
7,922,372	B2 *	4/2011	Li 362/373	2009/0323343	A1	12/2009	Wang	
D642,724	S	8/2011	Galipeau et al.	2010/0027269	A1	2/2010	Lo et al.	
D644,370	S	8/2011	Lickiss	2010/0039827	A1	2/2010	Li	
8,007,142	B2 *	8/2011	Ku et al. 362/368	2010/0079991	A1	4/2010	Zhang	
8,021,026	B2	9/2011	Liu et al.	2010/0085751	A1	4/2010	Shaner	
D648,473	S *	11/2011	Lin et al. D26/71	2010/0195333	A1	8/2010	Schaefer et al.	
D648,885	S	11/2011	Toratani	2010/0246179	A1	9/2010	Long et al.	
D652,557	S *	1/2012	Boissevain et al. D26/71	2010/0271822	A1	10/2010	Luo et al.	

* cited by examiner

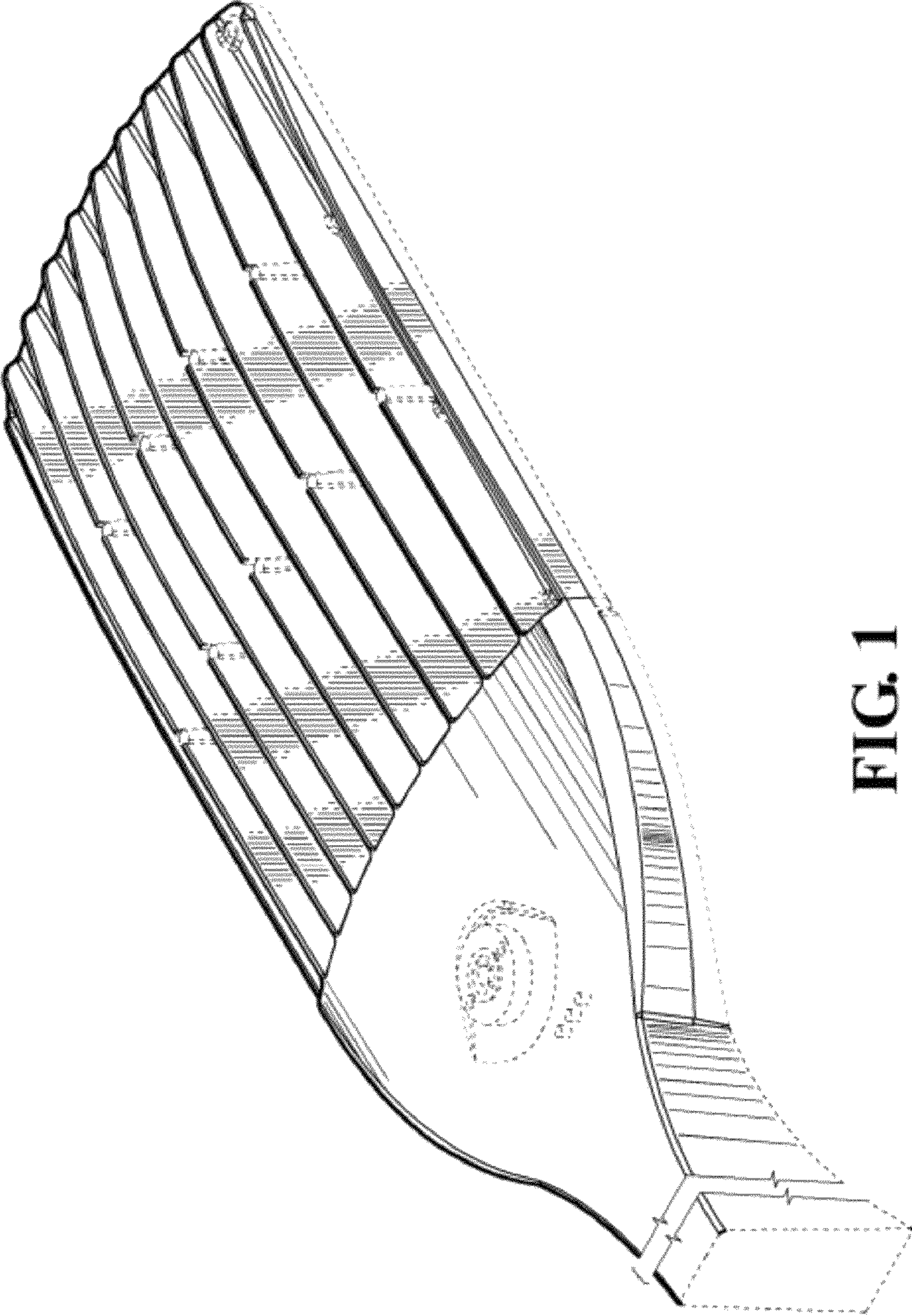


FIG. 1

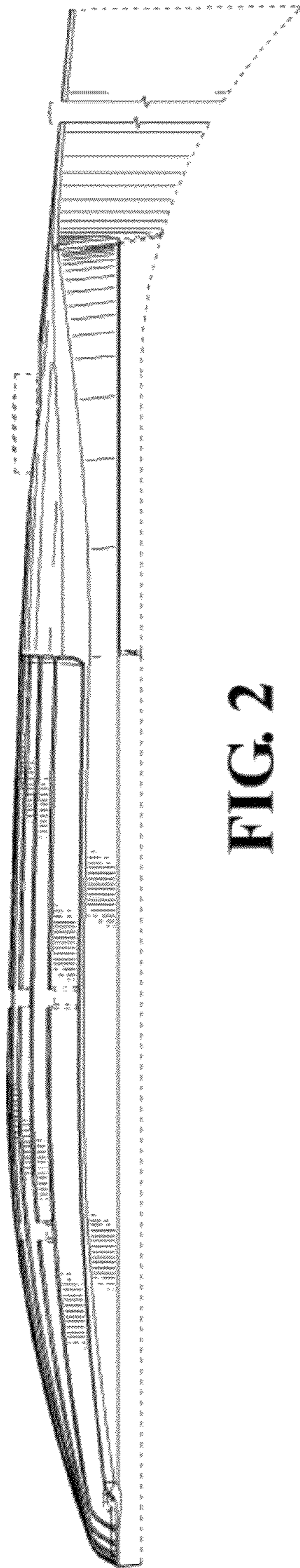


FIG. 2

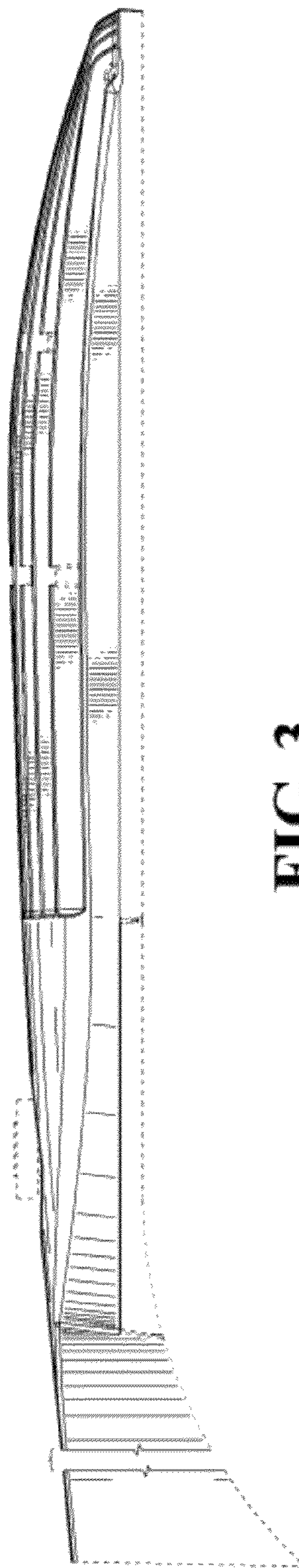


FIG. 3

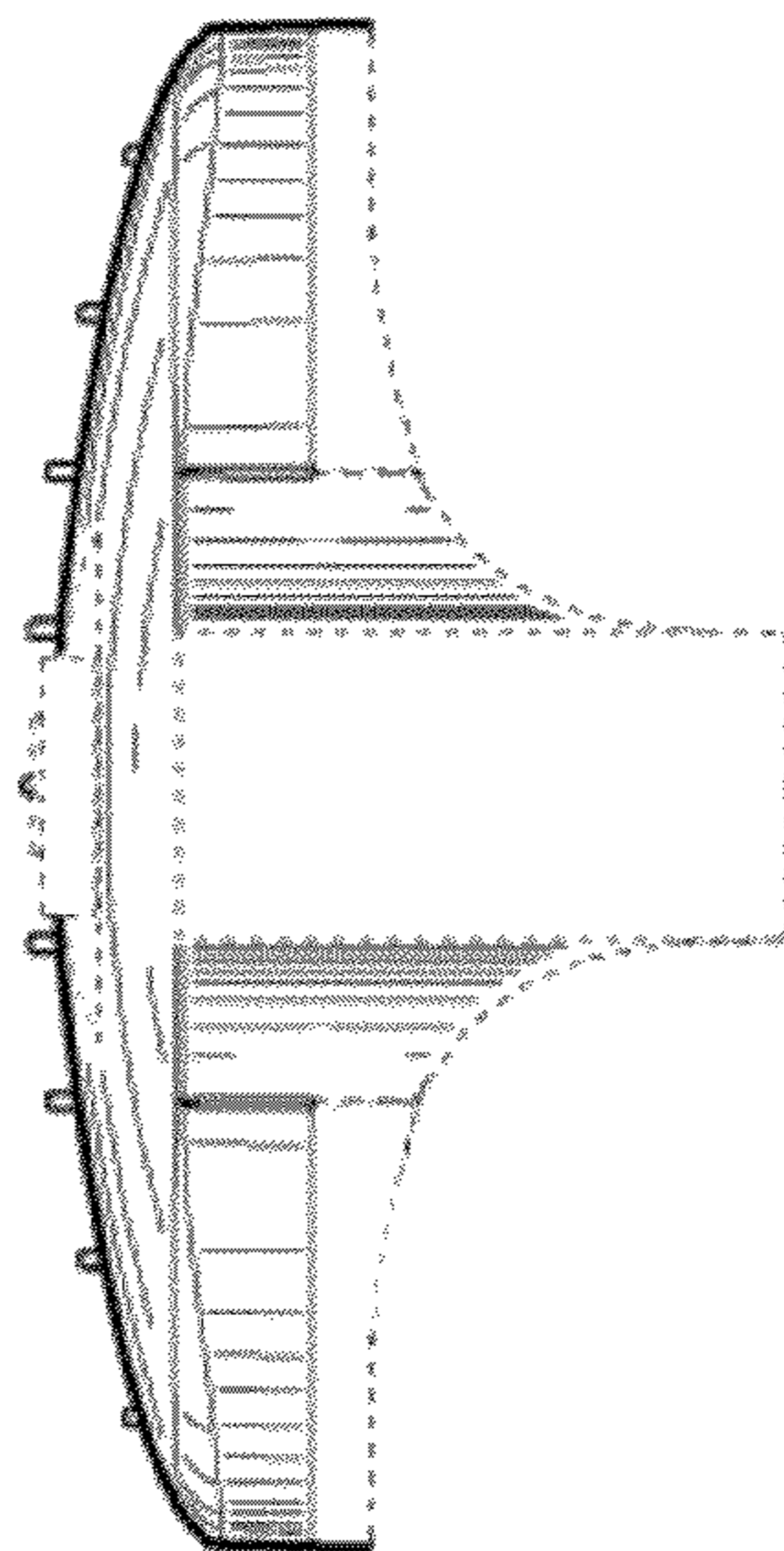


FIG. 4

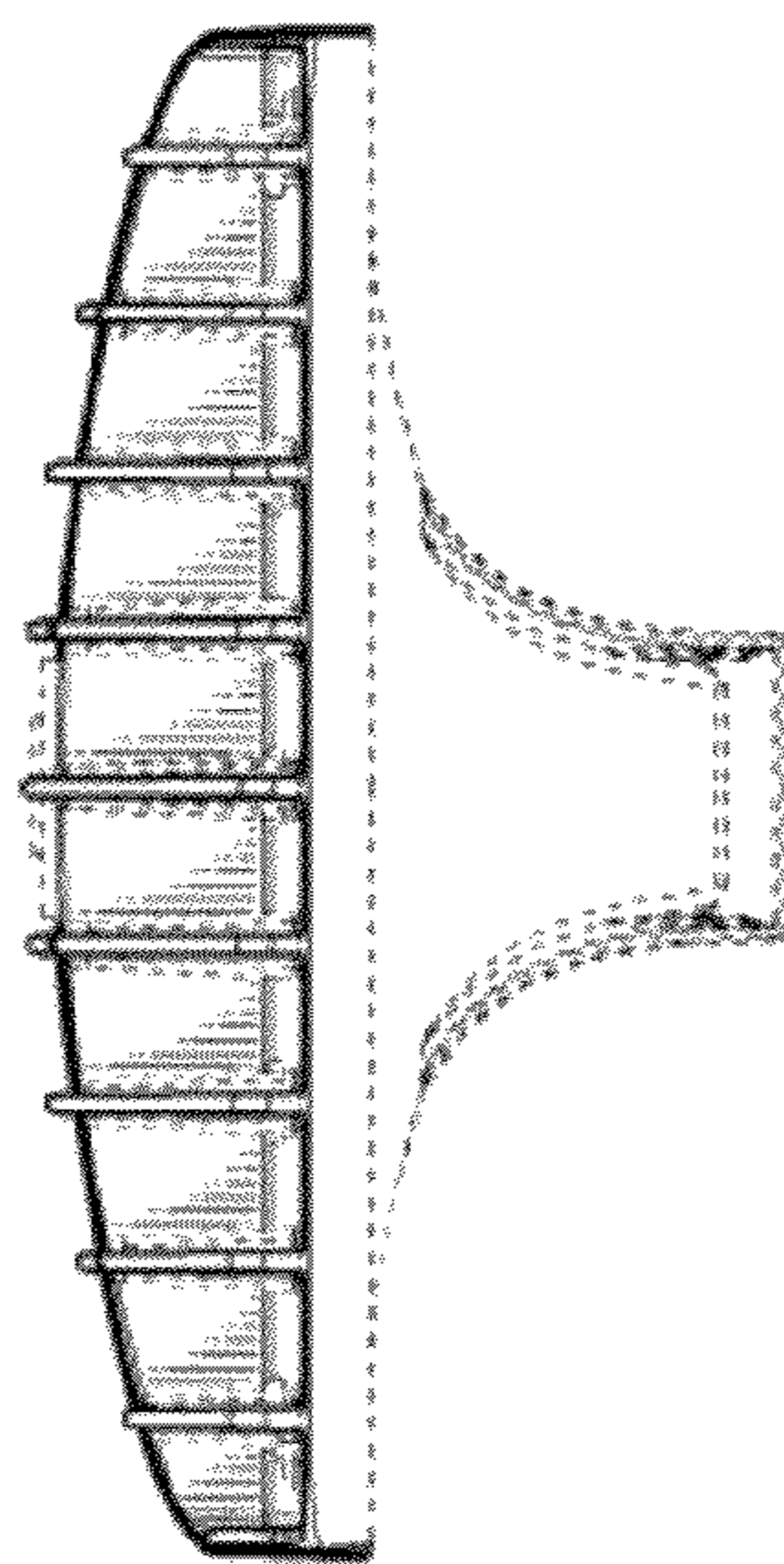


FIG. 5

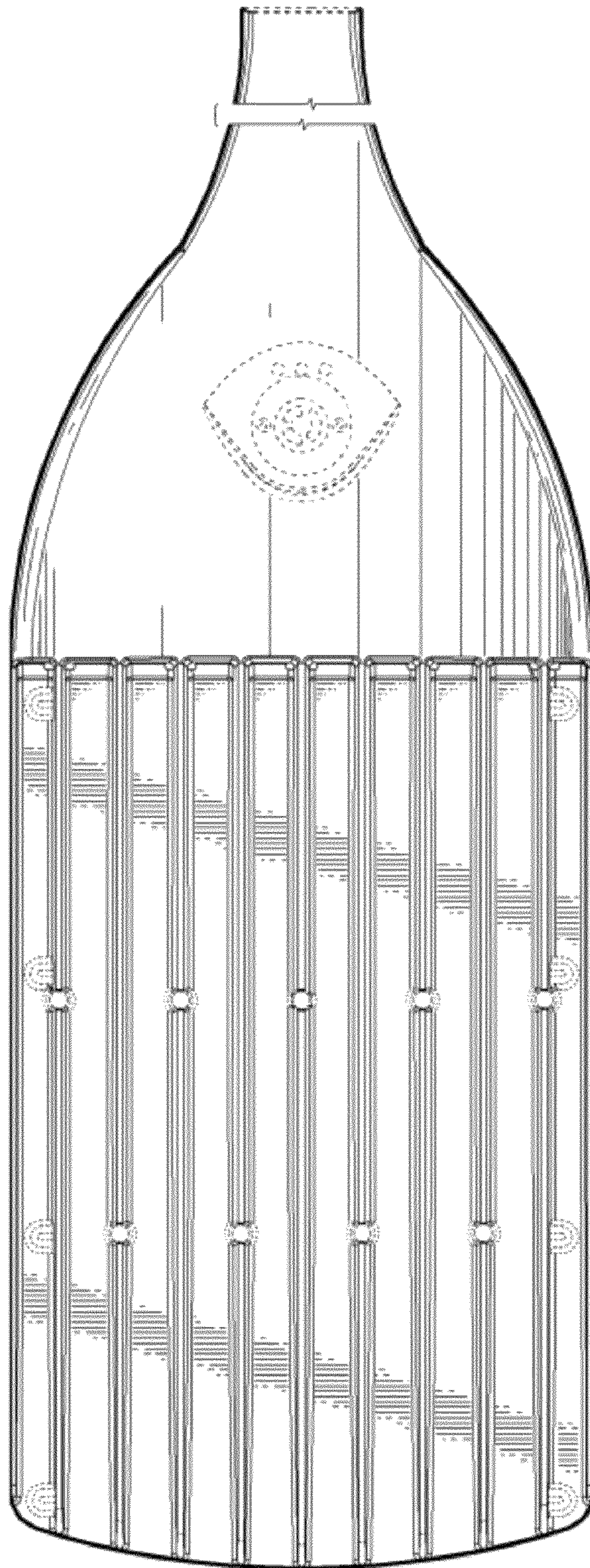


FIG. 6

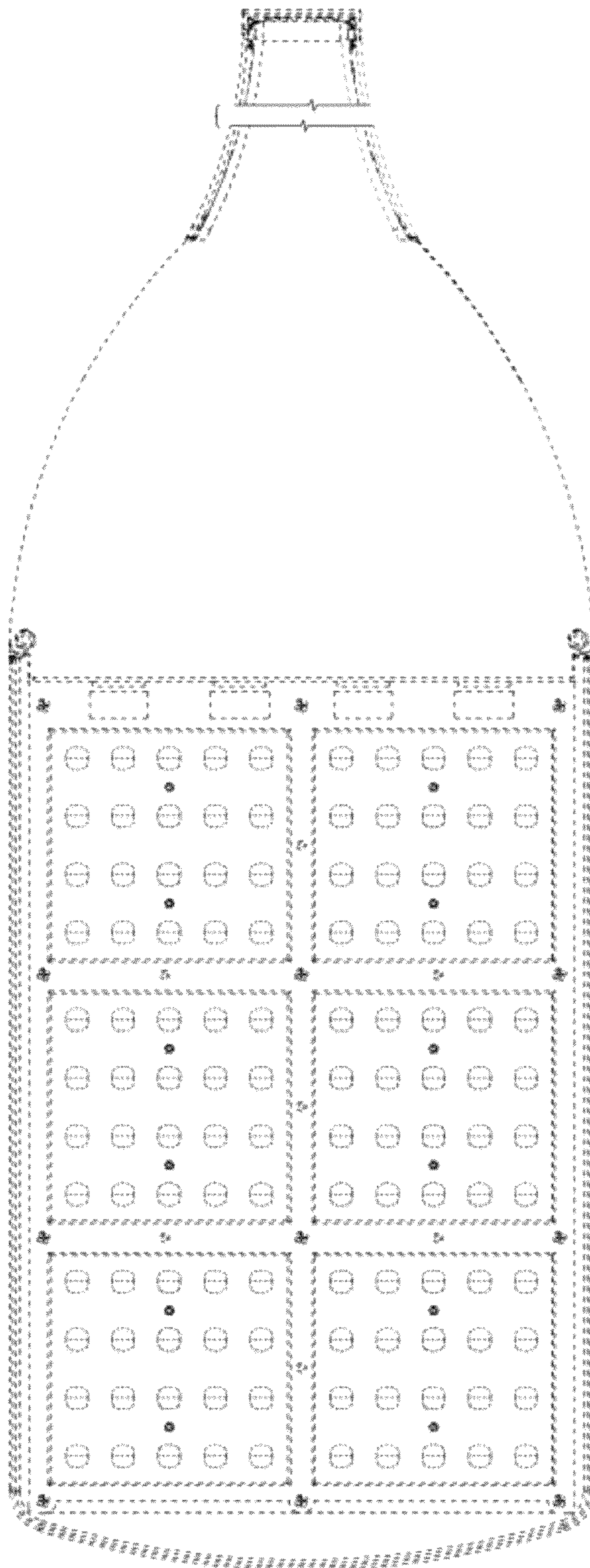


FIG. 7

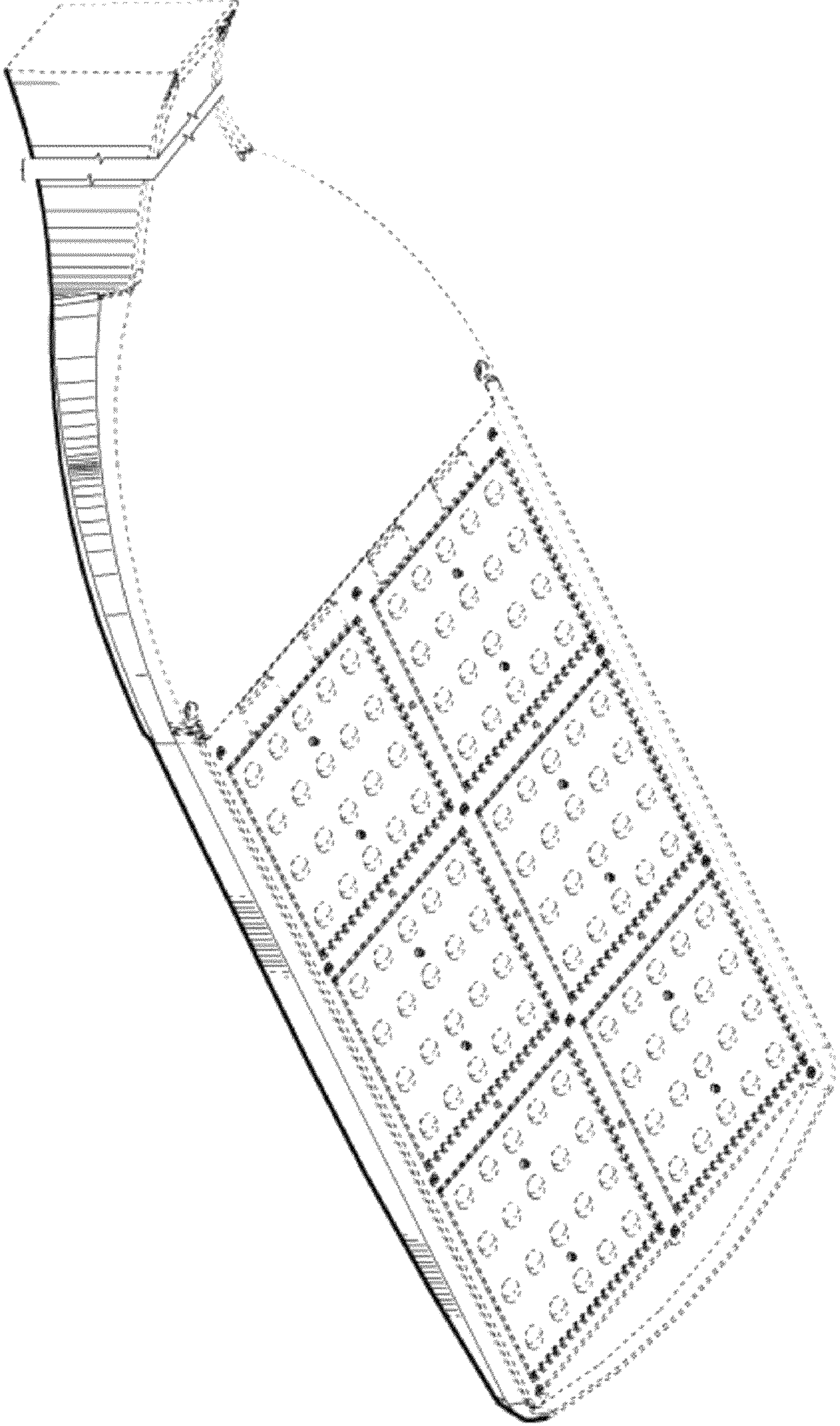


FIG. 8