



US00D670855S

(12) **United States Design Patent**
Turner

(10) **Patent No.:** **US D670,855 S**

(45) **Date of Patent:** **** Nov. 13, 2012**

(54) **LIGHT FIXTURE SCREEN**

(76) Inventor: **Robert William Turner**, Springdale, AR
(US)

(**) Term: **14 Years**

(21) Appl. No.: **29/374,930**

(22) Filed: **Oct. 25, 2011**

(51) **LOC (9) Cl.** **26-99**

(52) **U.S. Cl.** **D26/123**

(58) **Field of Classification Search** D26/155,
D26/60, 152, 154, 74, 75, 76, 77, 78, 113,
D26/118, 119, 120, 121, 122, 128, 138, 125,
D26/124, 126, 127, 85, 86, 88, 89, 90, 91,
D26/65, 64, 67, 68, 1, 2, 24, 141, 142, 145,
D26/144, 92, 93, 62, 63, 51, 56, 55, 58, 104,
D26/139, 140, 3; 362/101, 225, 634, 246,
362/326, 249.01-249.11, 220, 221, 224,
362/222, 223, 275, 276, 277, 271, 162, 450,
362/236; 211/10; 439/94, 95, 115, 110;
D8/380, 396, 394, 72, 354, 349, 373; D6/310,
D6/314, 470; D23/411; D11/90, 89, 132;
D19/96, 90, 77, 78, 75; D13/179, 180, 155
See application file for complete search history.

(56) **References Cited**

U.S. PATENT DOCUMENTS

3,116,023	A	12/1963	Van Dusen, Jr. et al.	
3,666,040	A *	5/1972	Junk	181/150
4,794,502	A	12/1988	Guggemos	362/331
5,068,772	A	11/1991	Shapiro et al.	362/365
D331,638	S *	12/1992	Vamberszky et al.	D26/118
5,264,994	A	11/1993	Choi	362/148
5,567,041	A	10/1996	Slocum	362/148
5,609,414	A	3/1997	Caluori	362/366
D397,472	S *	8/1998	Lecluze	D26/118
6,286,980	B1	9/2001	Meyer	362/365
D449,898	S *	10/2001	Horowitz	D26/28
D472,996	S *	4/2003	Horowitz	D26/28

D473,965	S *	4/2003	Lecluze	D26/74
6,588,922	B1 *	7/2003	DeCicco	362/364
D488,251	S *	4/2004	Benghozi	D26/118
6,799,869	B1	10/2004	Beadle	362/267
7,093,953	B1 *	8/2006	Dicke et al.	362/196
7,117,641	B2	10/2006	Lee	52/2.14
7,234,846	B2 *	6/2007	Chen	362/365
7,331,555	B2	2/2008	St. Pierre	248/343
D578,678	S *	10/2008	Huang	D26/28
7,500,766	B1 *	3/2009	Reynolds	362/364
D606,696	S *	12/2009	Chen et al.	D26/74

(Continued)

OTHER PUBLICATIONS

Outdoor House Lighting That Keeps Bugs Away/ www.doityourself.com/stry/outdoor-house-lighting-that-keeps-bugs-away/ printed on Jan. 26, 2012.

(Continued)

Primary Examiner — Kevin Rudzinski

(74) *Attorney, Agent, or Firm* — Keisling & Pieper PLC; Stephen D. Schrantz

(57)

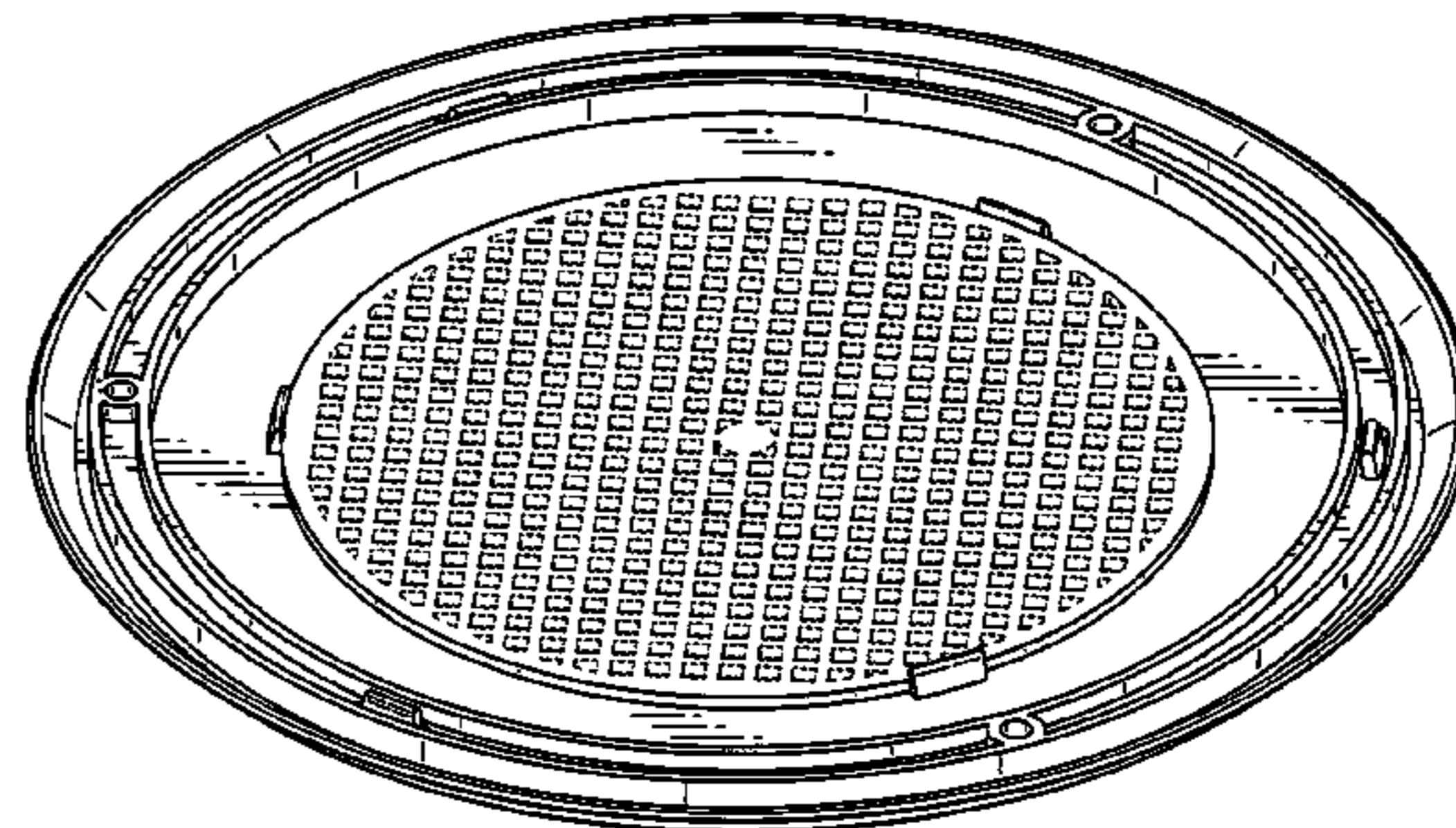
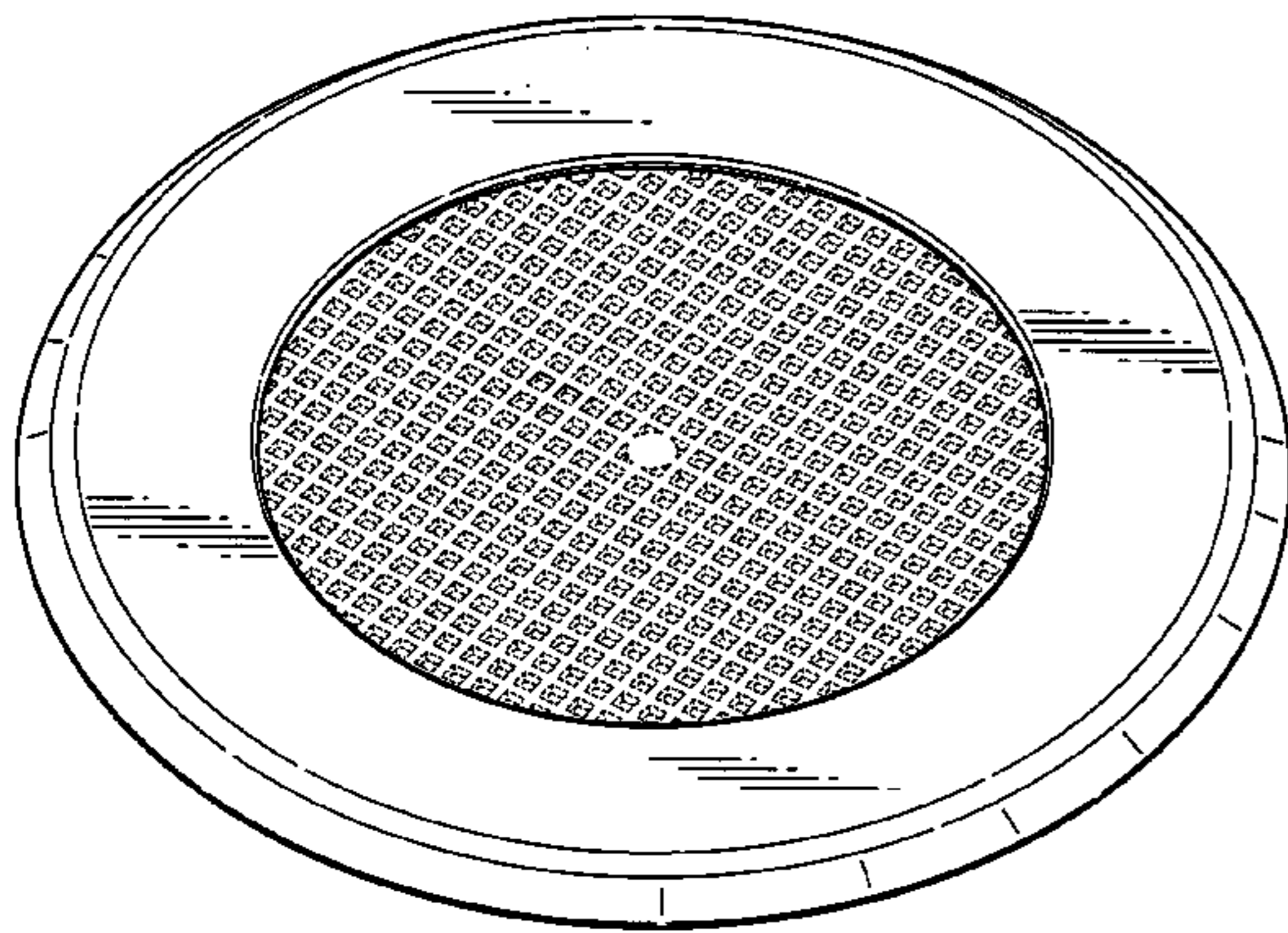
CLAIM

The ornamental design for a light fixture screen, as shown and described.

DESCRIPTION

FIG. 1 is a top perspective view showing my new design; FIG. 2 is a bottom perspective view thereof; FIG. 3 is a front view thereof, the rear view being a mirror image of the front view; FIG. 4 is a right side view thereof, the left side view being a mirror image of the right side view; FIG. 5 is a top view thereof; FIG. 6 is a bottom view thereof; and, FIG. 7 is an exploded view thereof. The broken line illustration of portions of the light fixture screen forms no part of the claimed design.

1 Claim, 4 Drawing Sheets



US D670,855 S

Page 2

U.S. PATENT DOCUMENTS

D610,291 S * 2/2010 Yoshinobu et al. D26/74
D610,292 S * 2/2010 Yoshinobu et al. D26/74
D615,239 S * 5/2010 Rashidi D26/118
D644,781 S * 9/2011 Kawagoe et al. D26/120
2003/0186017 A1 10/2003 Stockton 428/64.1
2004/0240211 A1* 12/2004 Rodgers et al. 362/344
2007/0183154 A1 8/2007 Robson 362/267

2009/0135608 A1* 5/2009 Sell 362/365

OTHER PUBLICATIONS

Decorative Recessed Light Cover/ www.improvementscatalog.com/decorative-recessed-light-cover/13001/ printed on Jan. 26, 2012.

* cited by examiner

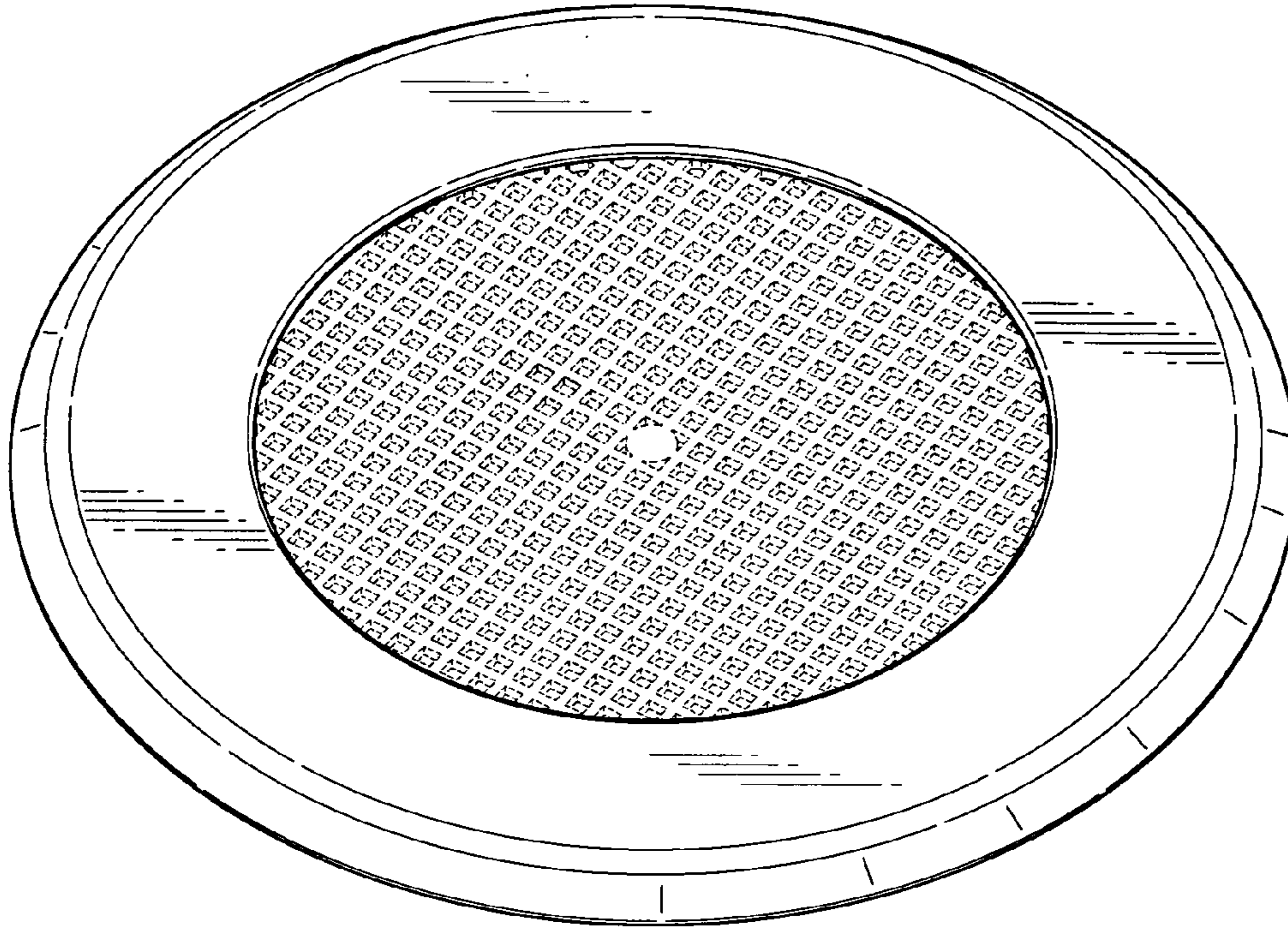


FIG. 1

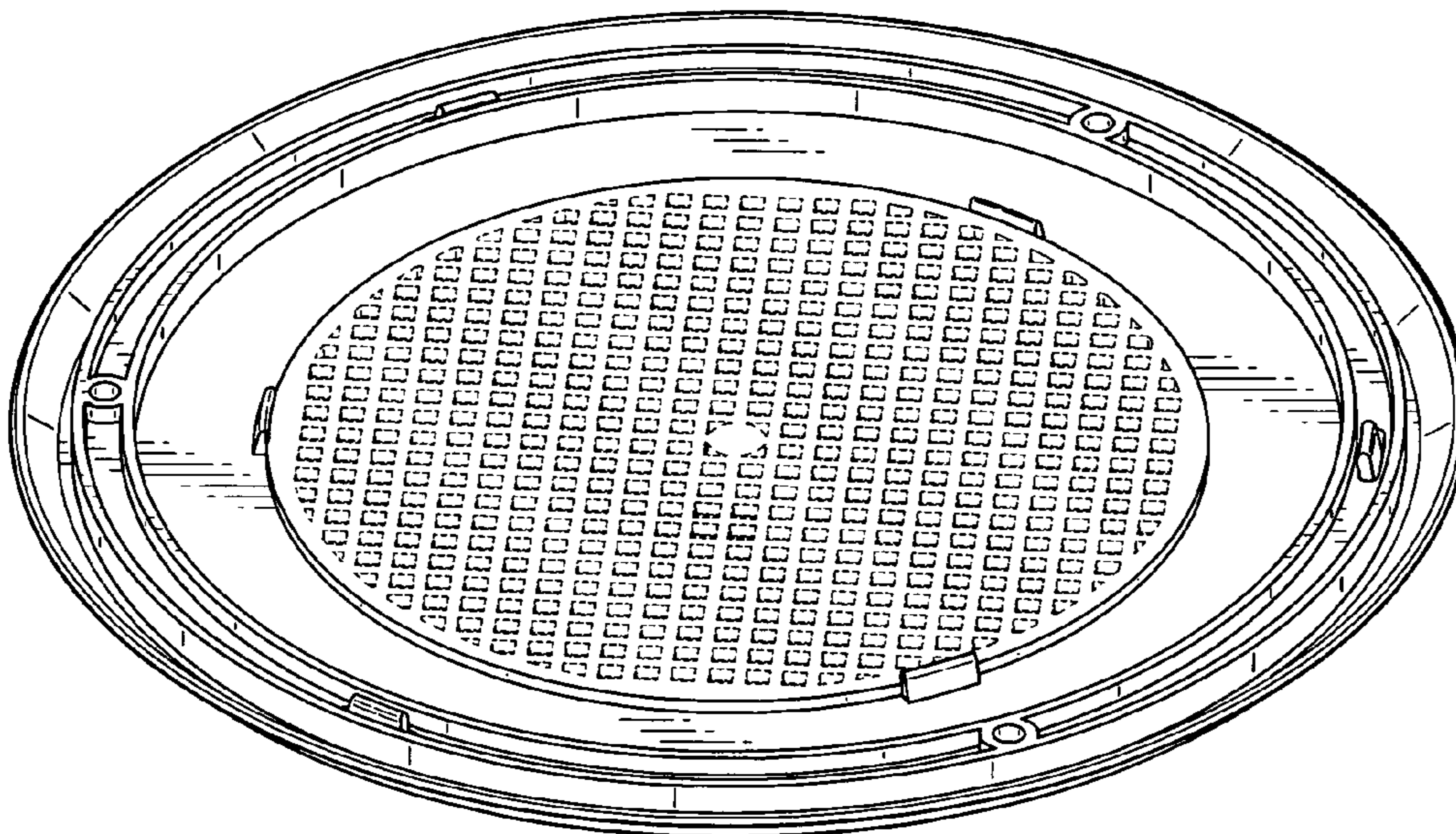


FIG. 2

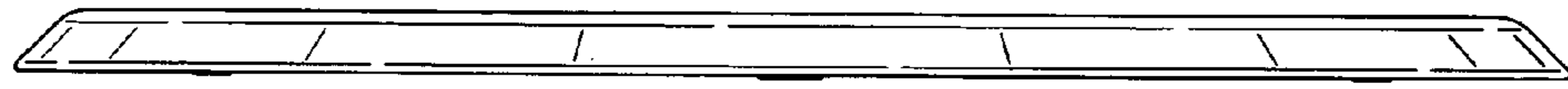


FIG. 3

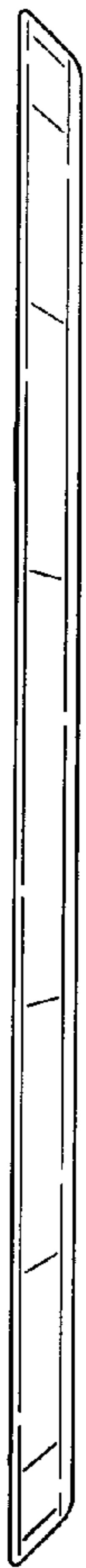


FIG. 4

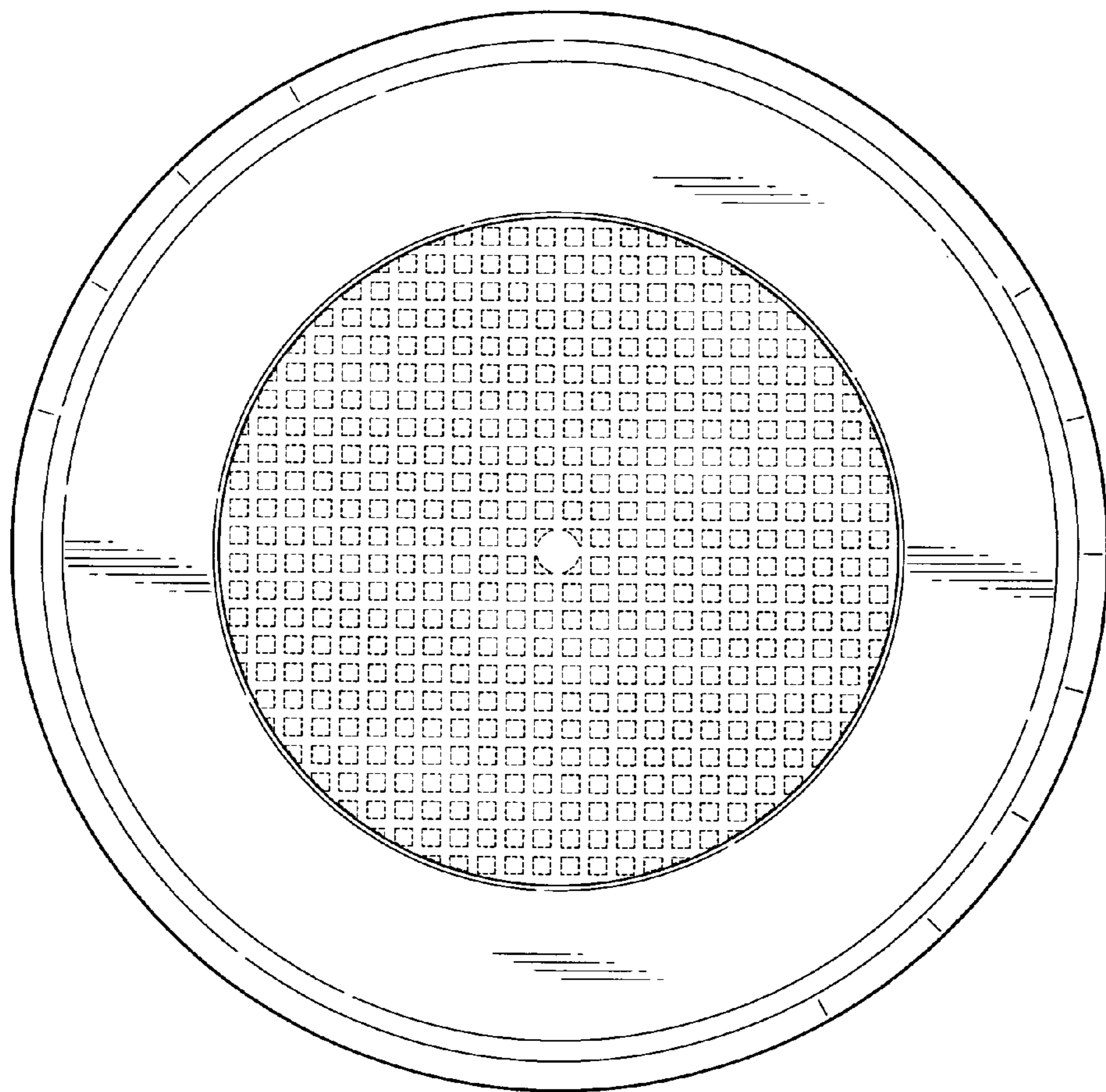


FIG. 5

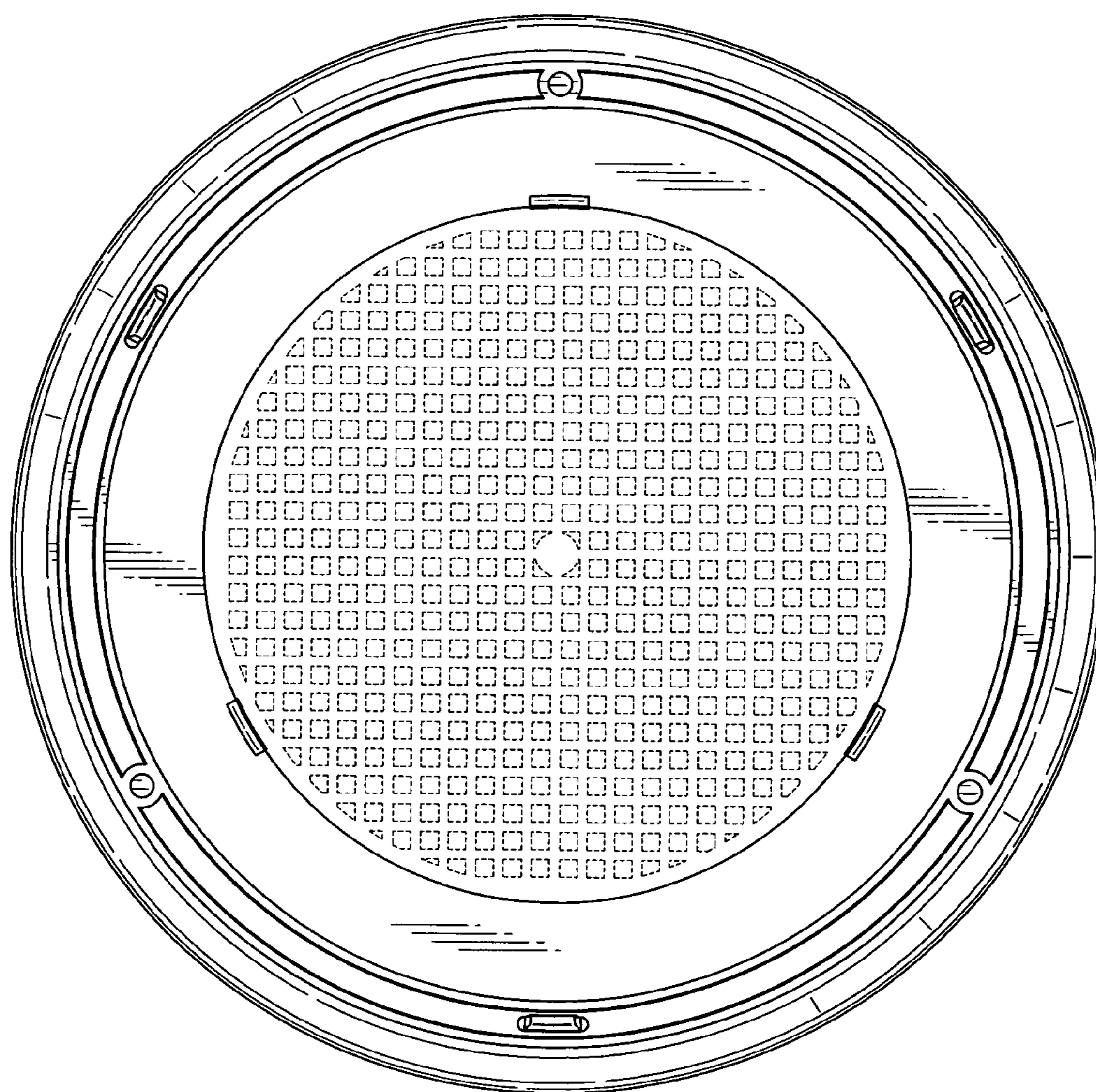


FIG. 6

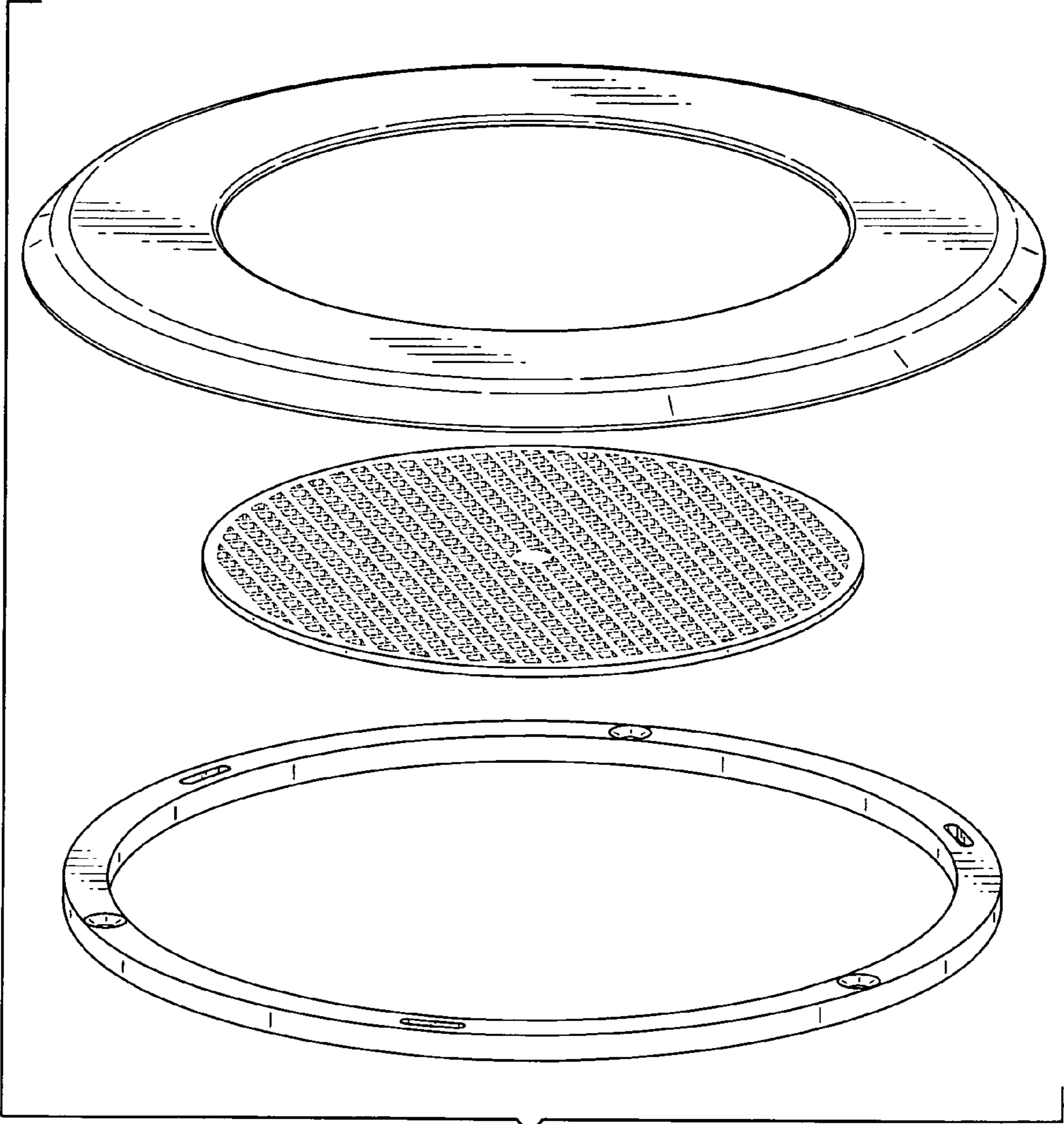


FIG. 7