



US00D670852S

(12) **United States Design Patent**
Lin

(10) **Patent No.:** **US D670,852 S**

(45) **Date of Patent:** **** Nov. 13, 2012**

(54) **LAMP**

(76) Inventor: **Chen-Chieh Lin**, Taichung (TW)

(**) Term: **14 Years**

(21) Appl. No.: **29/408,781**

(22) Filed: **Dec. 16, 2011**

(51) **LOC (9) Cl.** **26-03**

(52) **U.S. Cl.** **D26/94; D26/104**

(58) **Field of Classification Search** D26/1,
D26/24, 67, 93-94, 104-112, 37; 362/3,
362/153, 186, 217, 255, 257, 277, 317, 351,
362/353, 362, 363, 382, 431, 433, 458, 806;
D7/594; D21/623, 630; D11/55, 157, 158,
D11/162

See application file for complete search history.

(56) **References Cited**

U.S. PATENT DOCUMENTS

D210,736 S *	4/1968	Tomko	D21/623
D255,914 S *	7/1980	Starniri	D21/623
D279,994 S *	8/1985	Noll	D11/158
D298,573 S *	11/1988	Komamura	D26/93
D411,322 S *	6/1999	Suzuki	D26/24
D462,475 S *	9/2002	Wu	D26/104
D478,681 S *	8/2003	Newcomb	D26/4
D525,740 S *	7/2006	Parker	D26/104

D554,283 S *	10/2007	Leeks et al.	D26/111
D563,593 S *	3/2008	Audrito	D26/94
D623,985 S *	9/2010	Scott et al.	D11/157

OTHER PUBLICATIONS

“Eggs With Legs” Salt & Pepper Shaker Set, SMC Electronics Special Estate Sale, identified as “circa 1990s”.*
Casio USB label printer for egg fanatics, Poptagadget website, posted Aug. 3, 2007.*

* cited by examiner

Primary Examiner — Brian N Vinson

(74) *Attorney, Agent, or Firm* — Dickstein Shapiro LLP

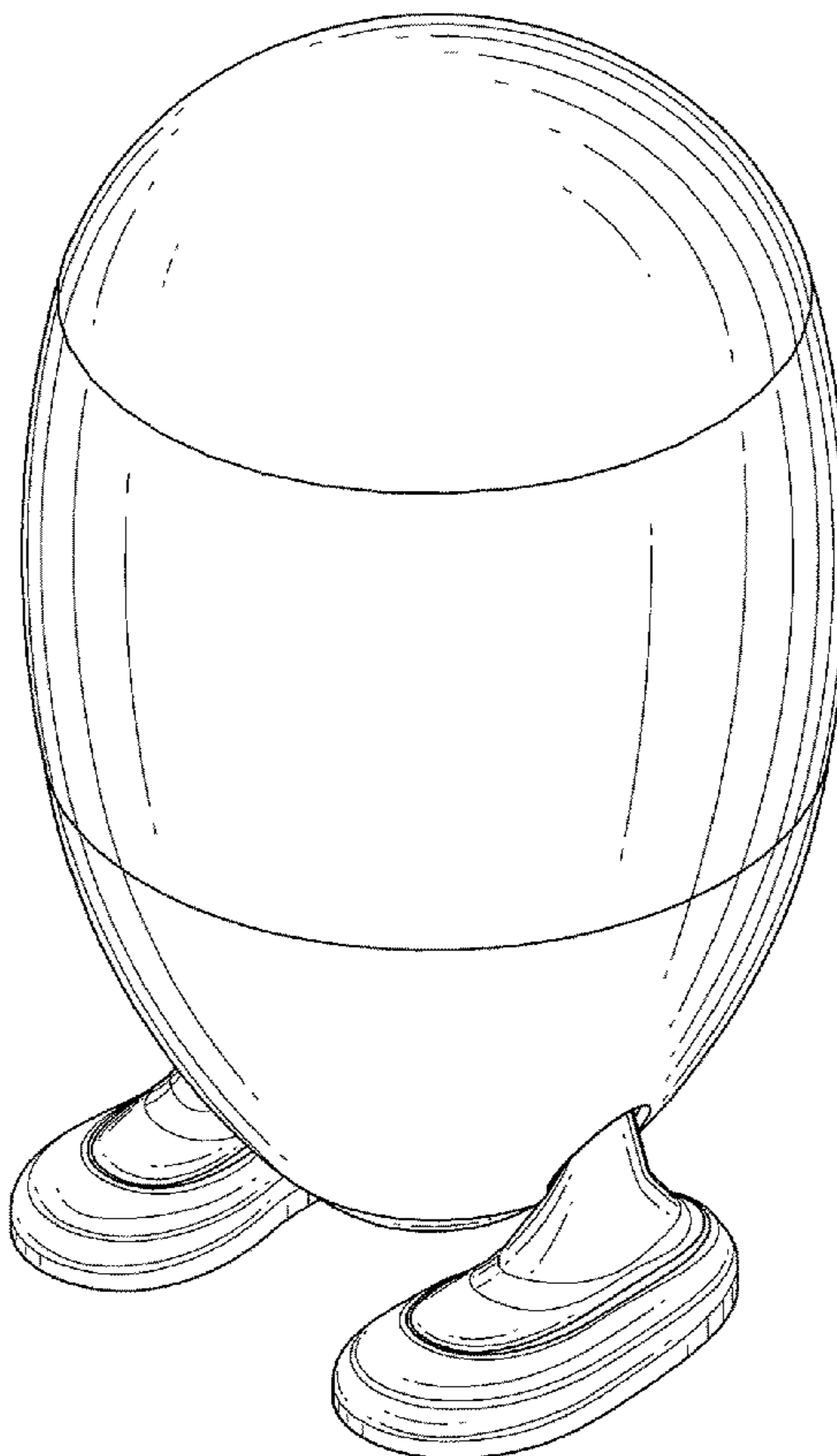
(57) **CLAIM**

The ornamental design for lamp, as shown and described.

DESCRIPTION

FIG. 1 is a perspective view of lamp showing my new design; FIG. 2 is a front elevational view thereof; FIG. 3 is a rear elevational view thereof; FIG. 4 is a left side elevational view thereof; FIG. 5 is a right side elevational view thereof; FIG. 6 is a top plan view thereof; and, FIG. 7 is a bottom plan view thereof. The portions shown in dashed lines do not form part of the design.

1 Claim, 6 Drawing Sheets



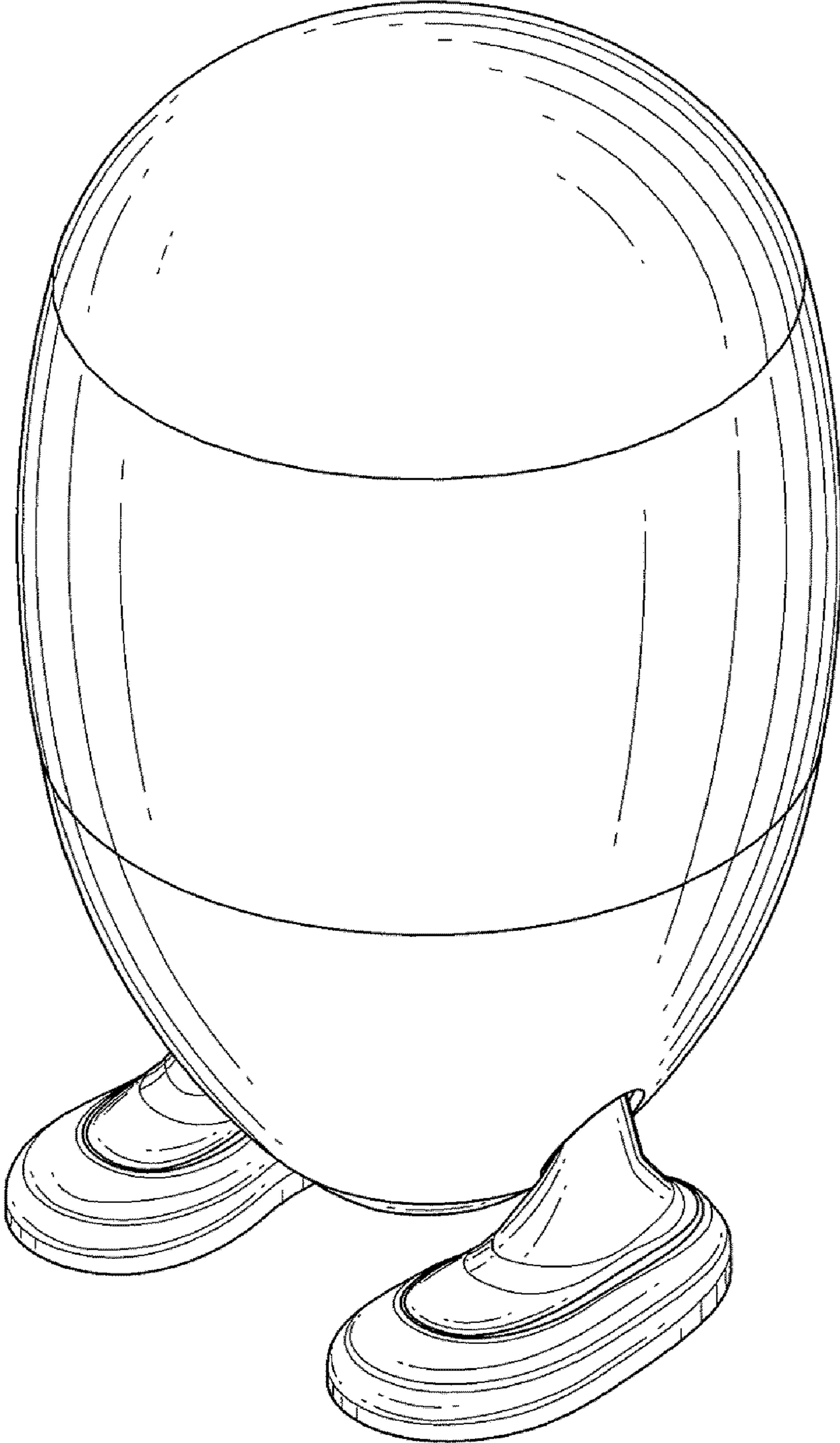


FIG. 1

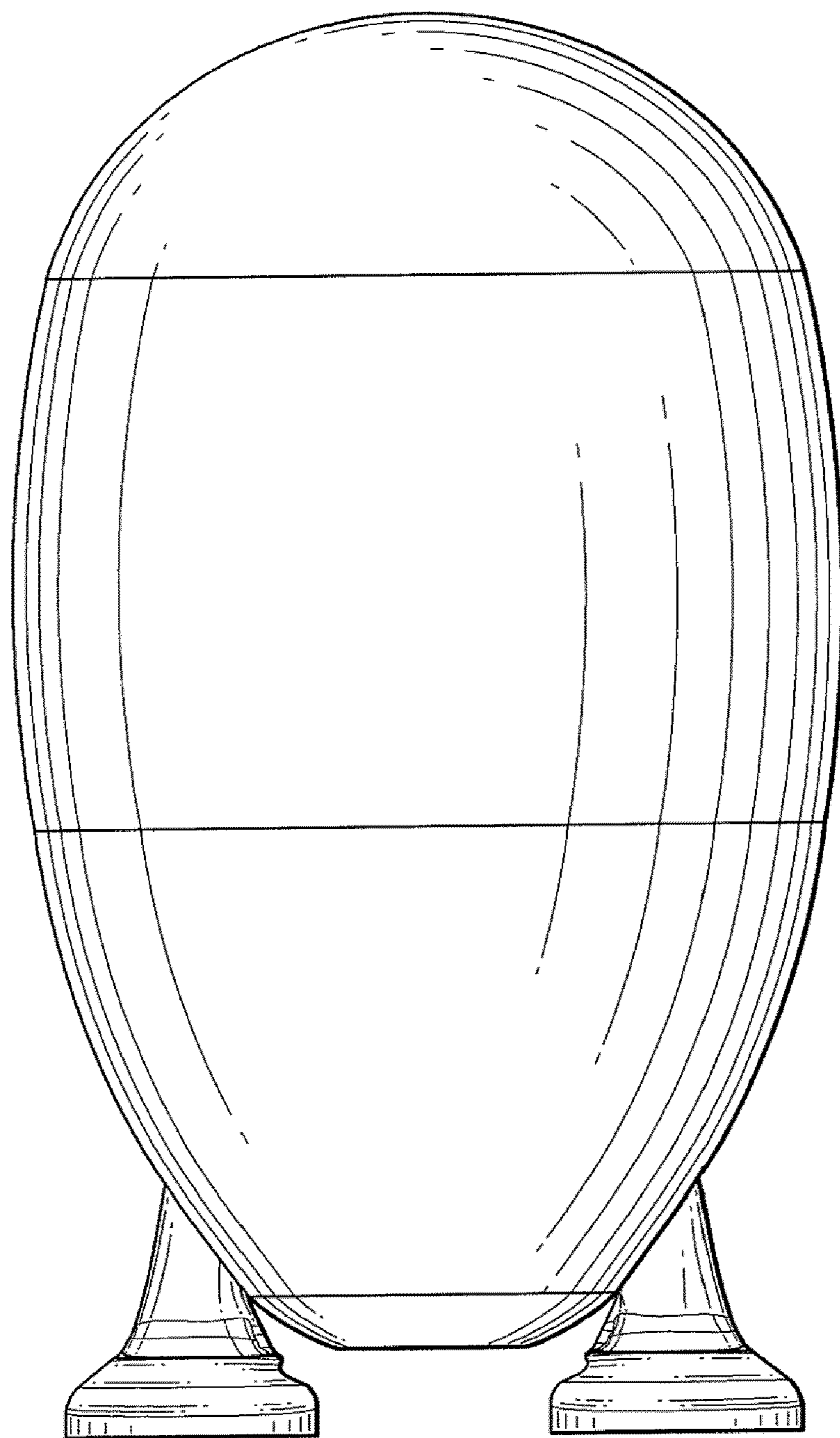


FIG. 2

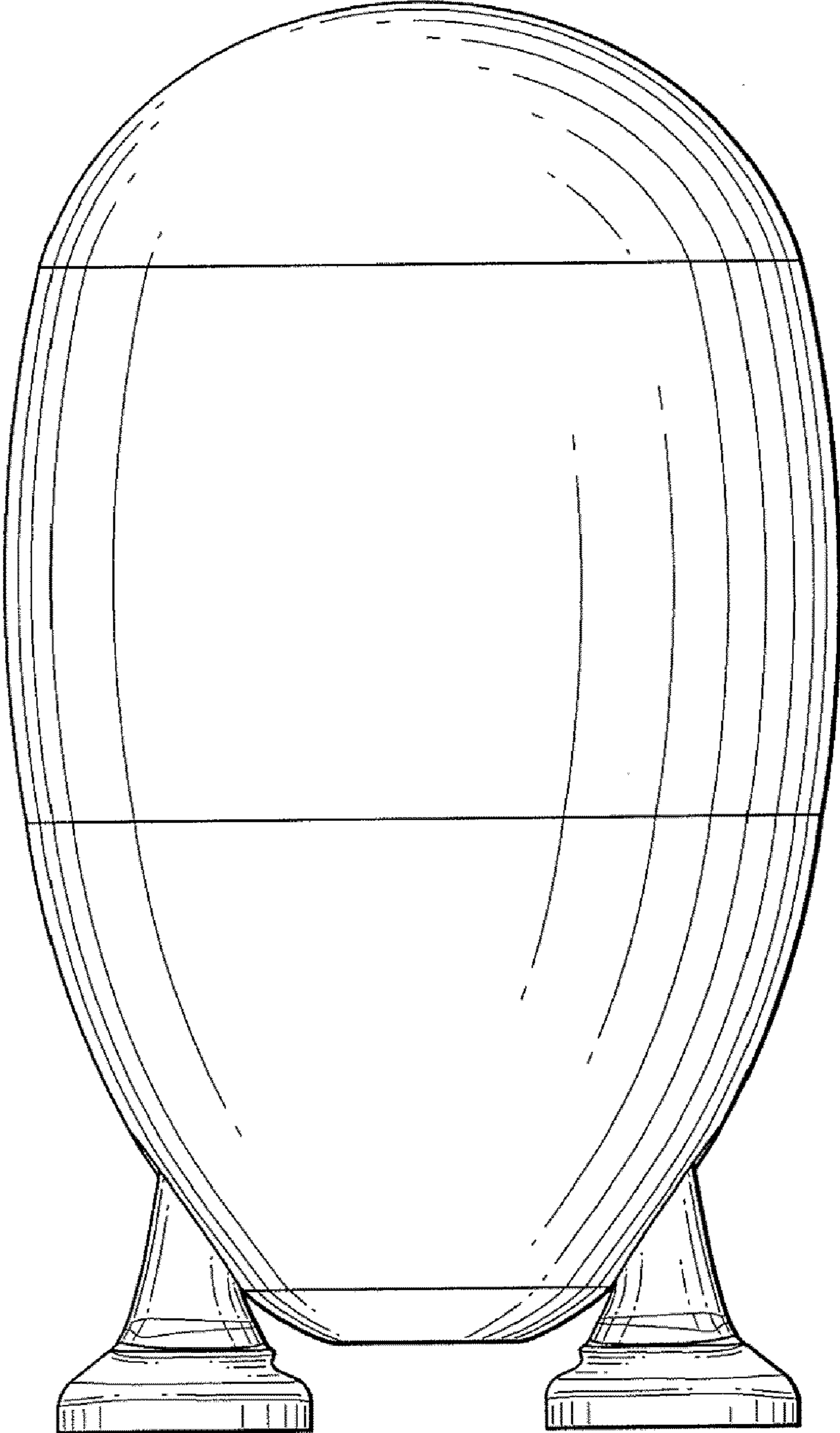


FIG. 3

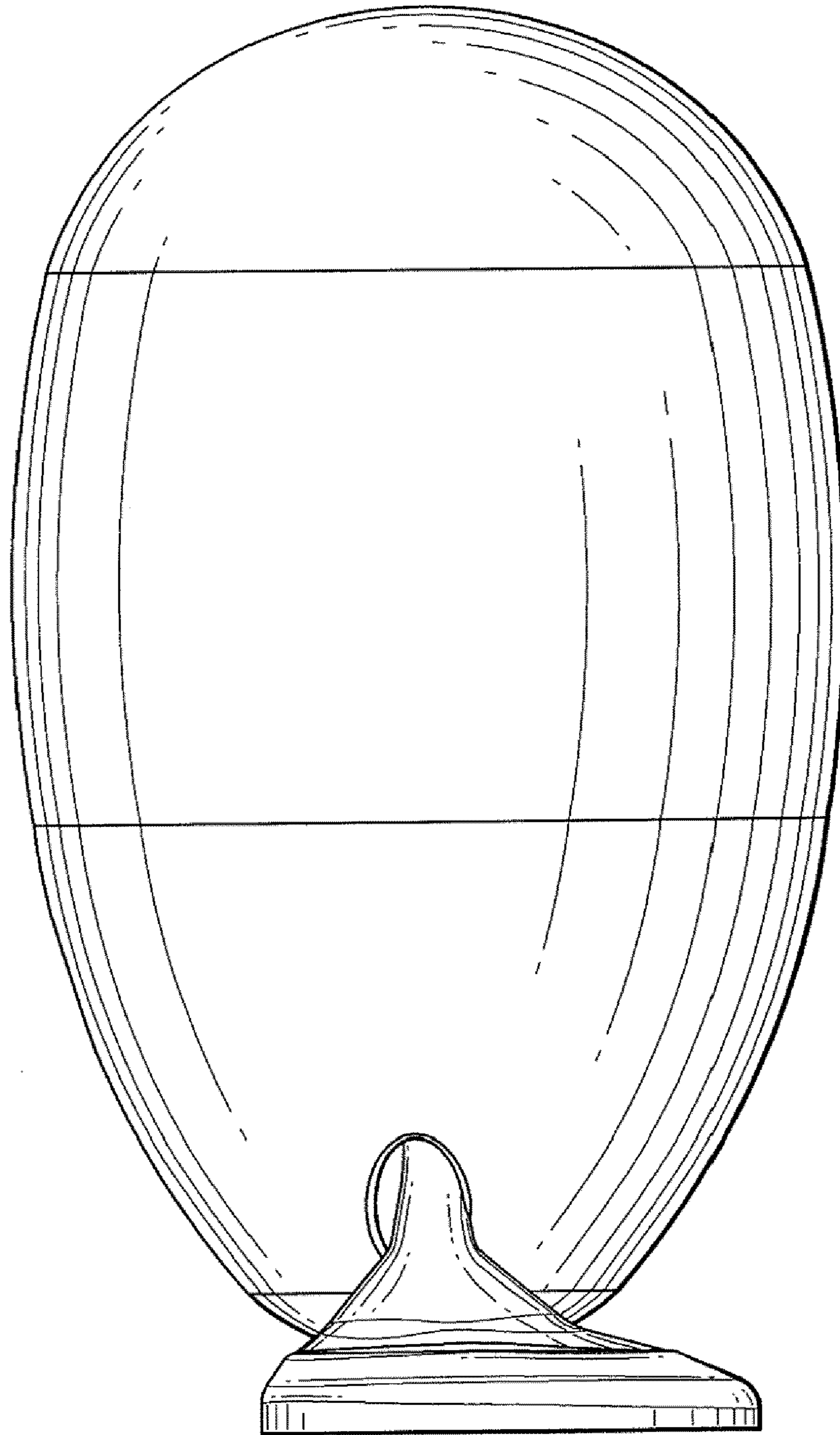


FIG. 4

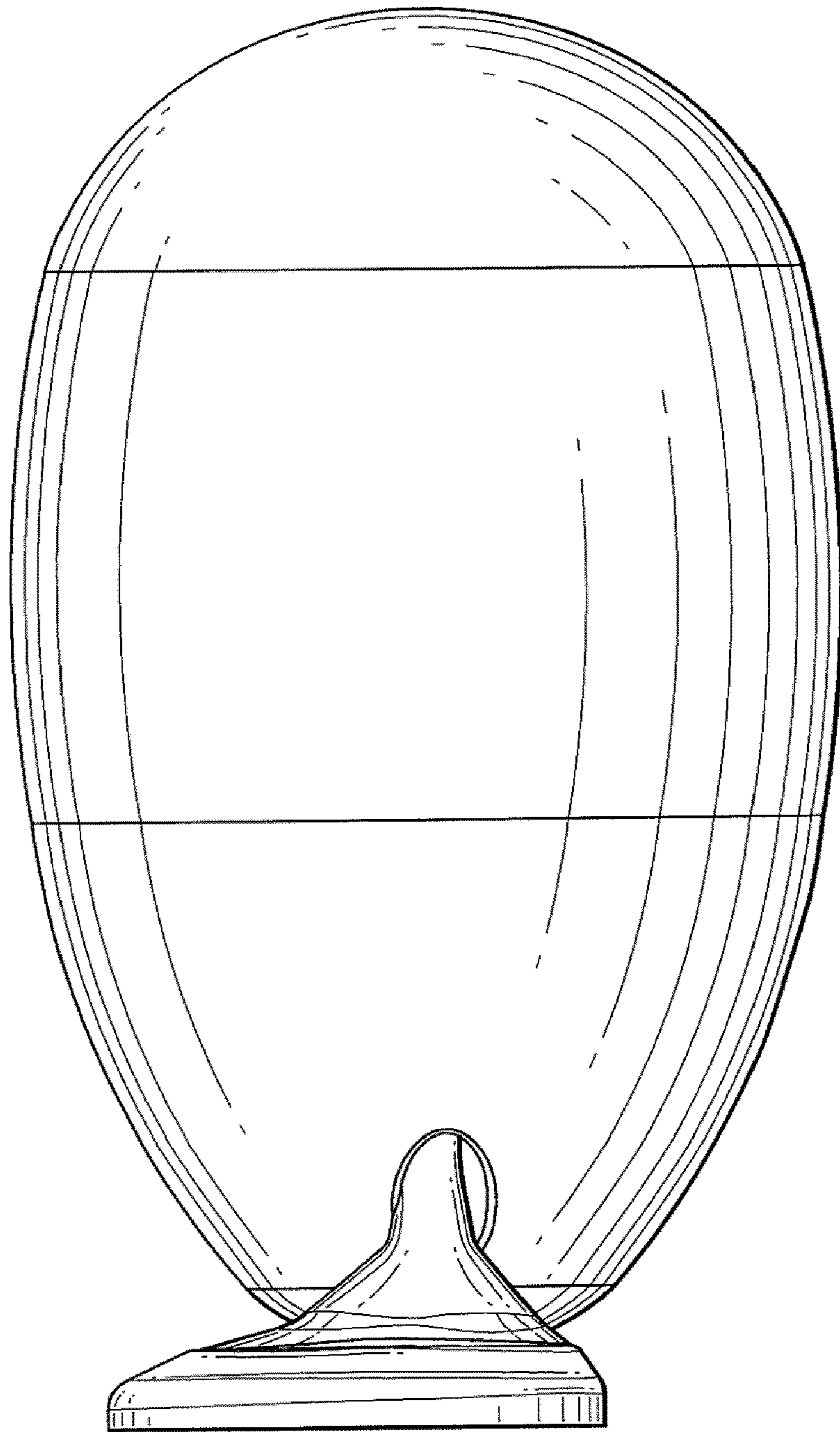


FIG. 5

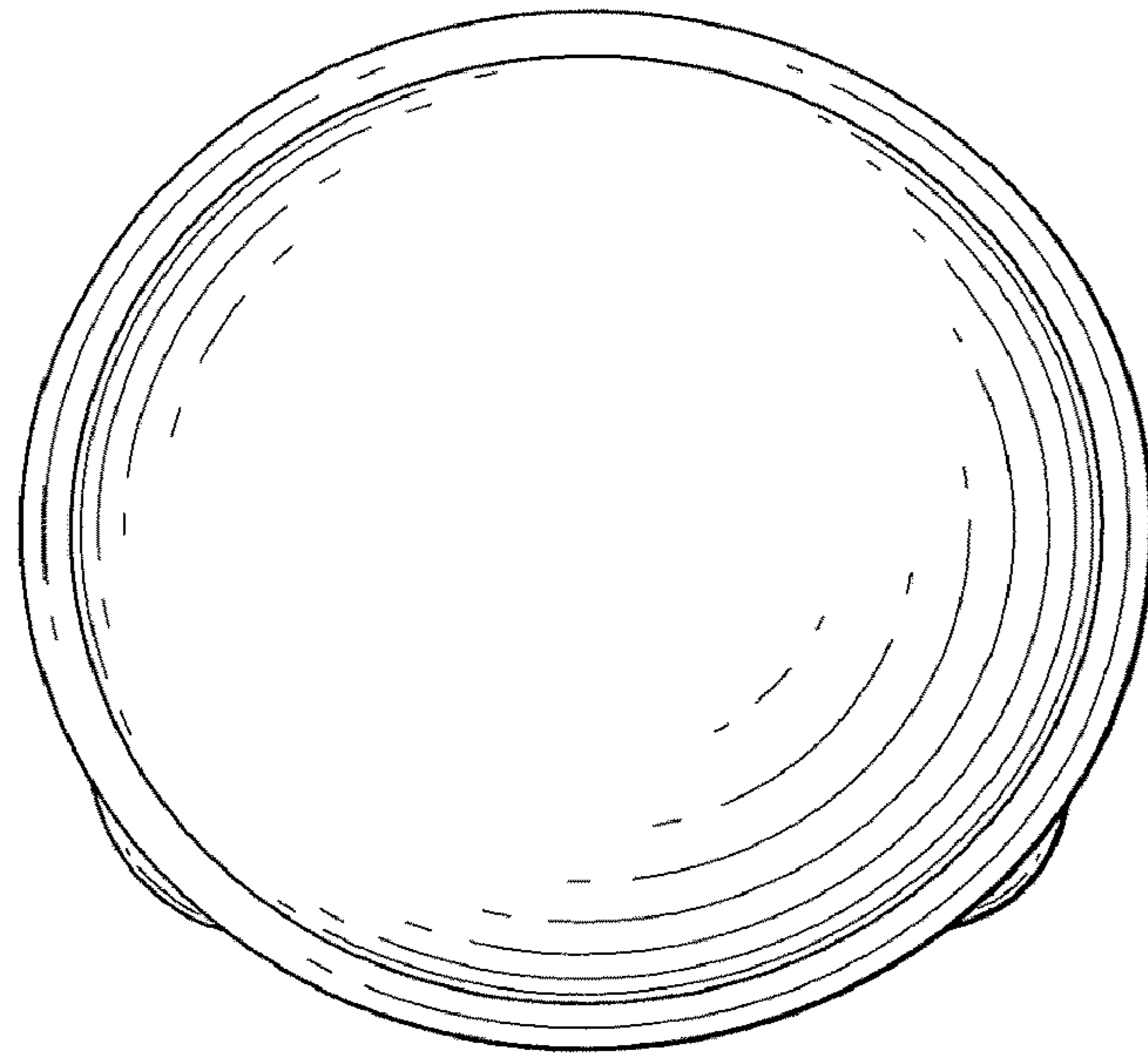


FIG. 6

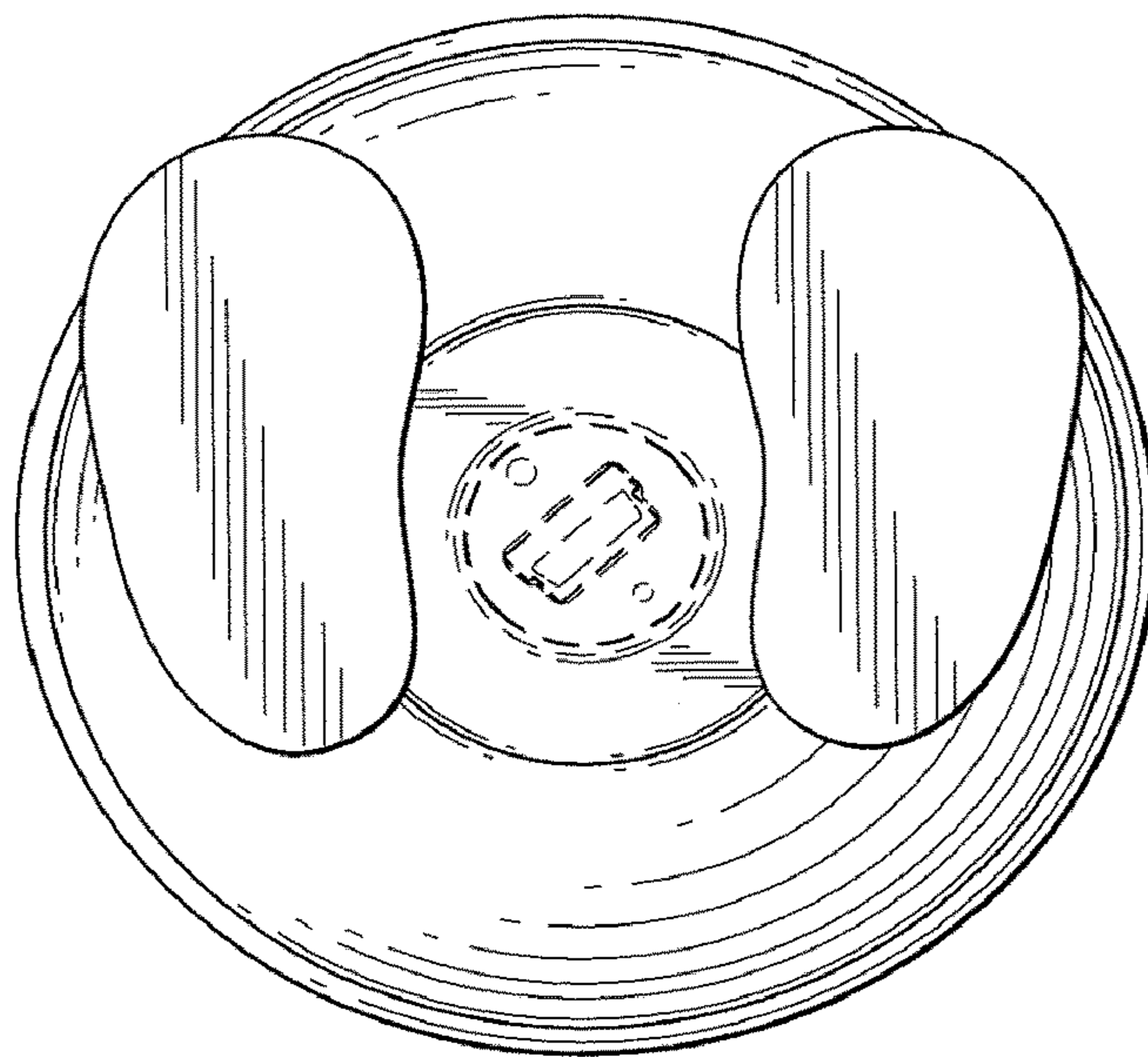


FIG. 7