



US00D670851S

(12) **United States Design Patent**
Tsai

(10) **Patent No.:** **US D670,851 S**

(45) **Date of Patent:** **** Nov. 13, 2012**

(54) **LAMP**

(75) Inventor: **Chi-Fang Tsai**, Chiayi County (TW)

(73) Assignee: **An Cheng Enterprise Co., Ltd.**, Chiayi County (TW)

(**) Term: **14 Years**

(21) Appl. No.: **29/400,800**

(22) Filed: **Sep. 1, 2011**

(51) **LOC (9) Cl.** **26-03**

(52) **U.S. Cl.** **D26/76**

(58) **Field of Classification Search** D26/72,
D26/74, 75, 76, 77, 78, 79, 80, 81, 82, 83,
D26/84, 85, 88, 89, 90, 122; 362/145, 146,
362/147, 148, 150, 151, 152, 153, 153.1,
362/217.01, 217.02, 217.05, 217.06, 217.07,
362/217.08, 217.09, 217.1, 217.11, 249.02,
362/260, 296.07, 311.02

See application file for complete search history.

(56) **References Cited**

U.S. PATENT DOCUMENTS

D215,340 S * 9/1969 Wince D26/76
D331,119 S * 11/1992 Hagebo D26/76
D404,165 S * 1/1999 Vakil D26/85

D448,103 S * 9/2001 Yuen D26/42
D457,981 S * 5/2002 Yeh D26/76
D579,139 S * 10/2008 Ghini D26/76
D585,581 S * 1/2009 Purcell D26/85
D604,884 S * 11/2009 Moritz D26/76
D606,229 S * 12/2009 Johansen et al. D26/80
D609,841 S * 2/2010 Bush D26/76
D617,935 S * 6/2010 Miletich et al. D26/76
D621,085 S * 8/2010 Kochanski et al. D26/76
D621,086 S * 8/2010 Purcell D26/76

* cited by examiner

Primary Examiner — Angela J Lee

(74) *Attorney, Agent, or Firm* — Rosenberg, Klein & Lee

(57) **CLAIM**

The ornamental design for a lamp, as shown and described.

DESCRIPTION

FIG. 1 is a perspective view of a lamp showing my new design;

FIG. 2 is a front elevational view thereof;

FIG. 3 is a rear elevational view thereof;

FIG. 4 is a left side elevational view thereof;

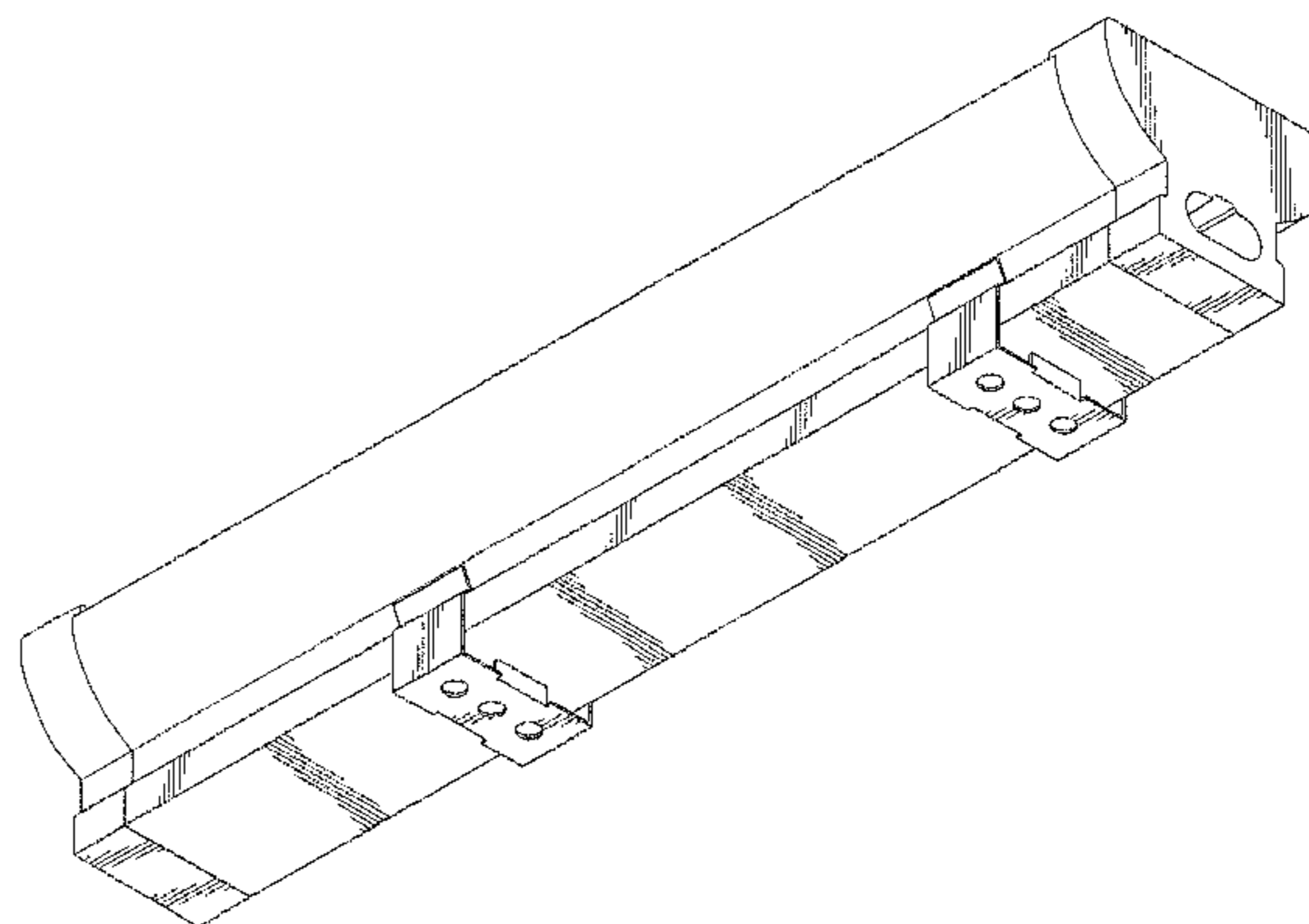
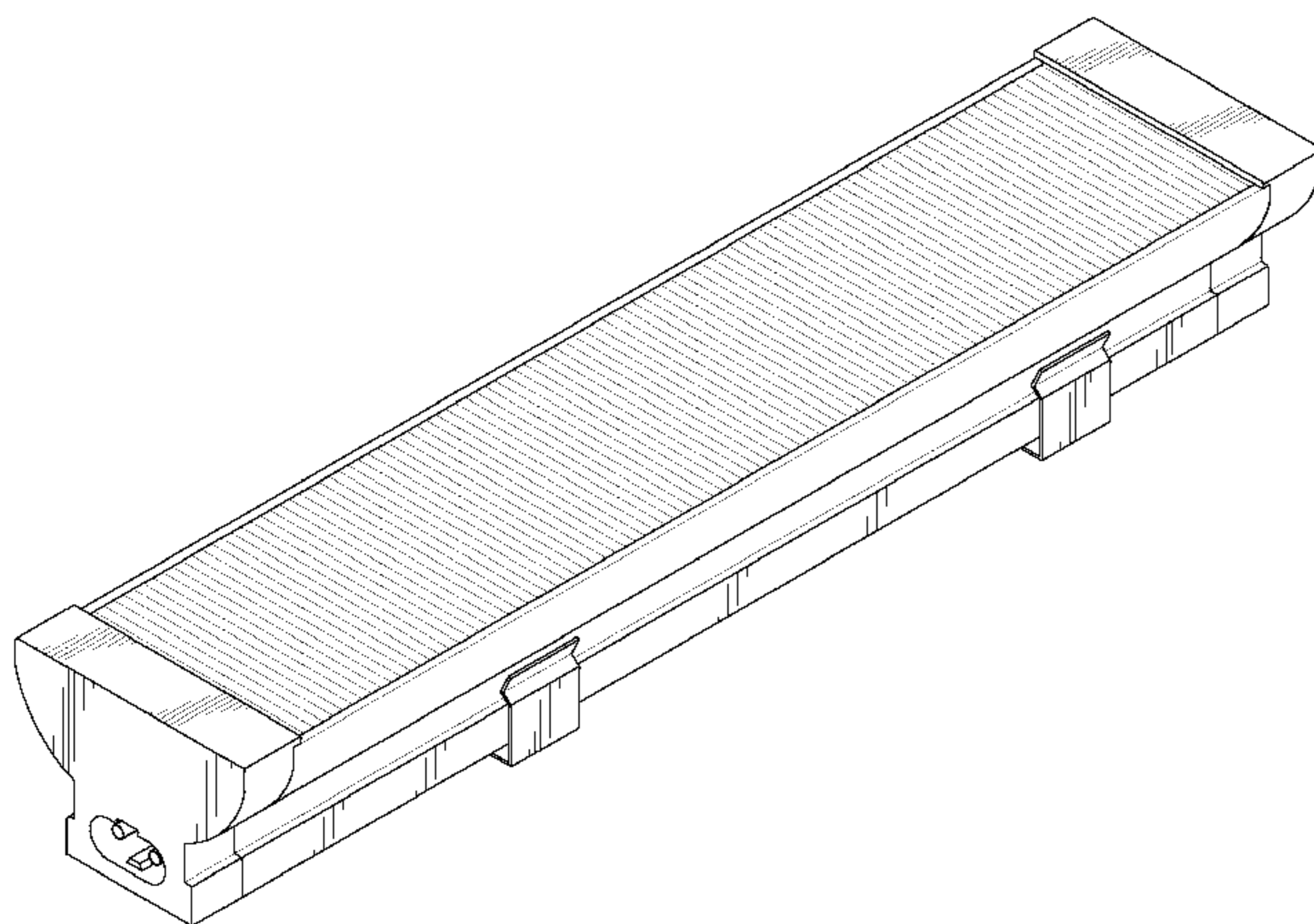
FIG. 5 is a right side elevational view thereof;

FIG. 6 is a top plan view thereof;

FIG. 7 is a bottom plan view thereof; and,

FIG. 8 is a second perspective view of a lamp showing my new design.

1 Claim, 8 Drawing Sheets



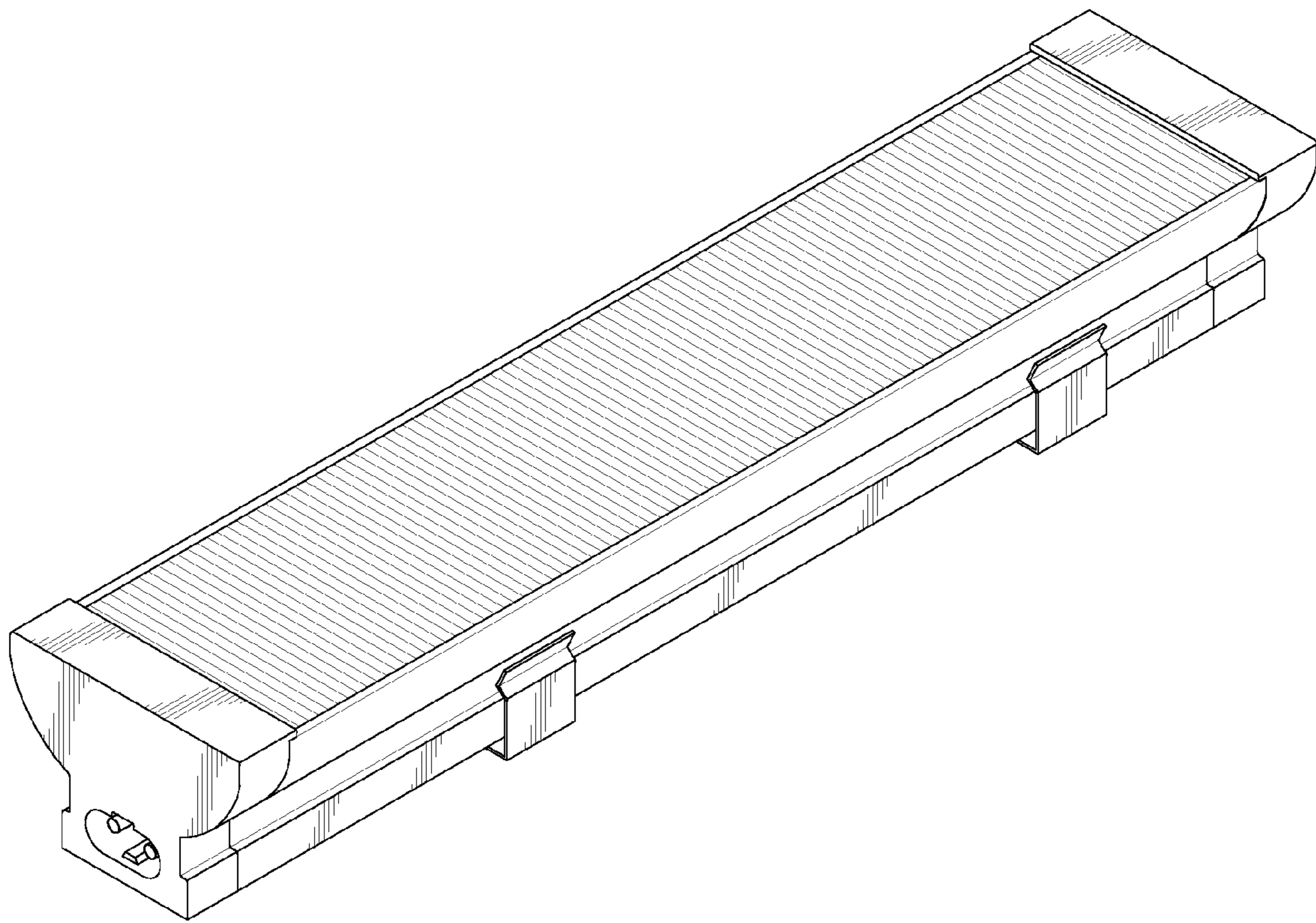


FIG. 1

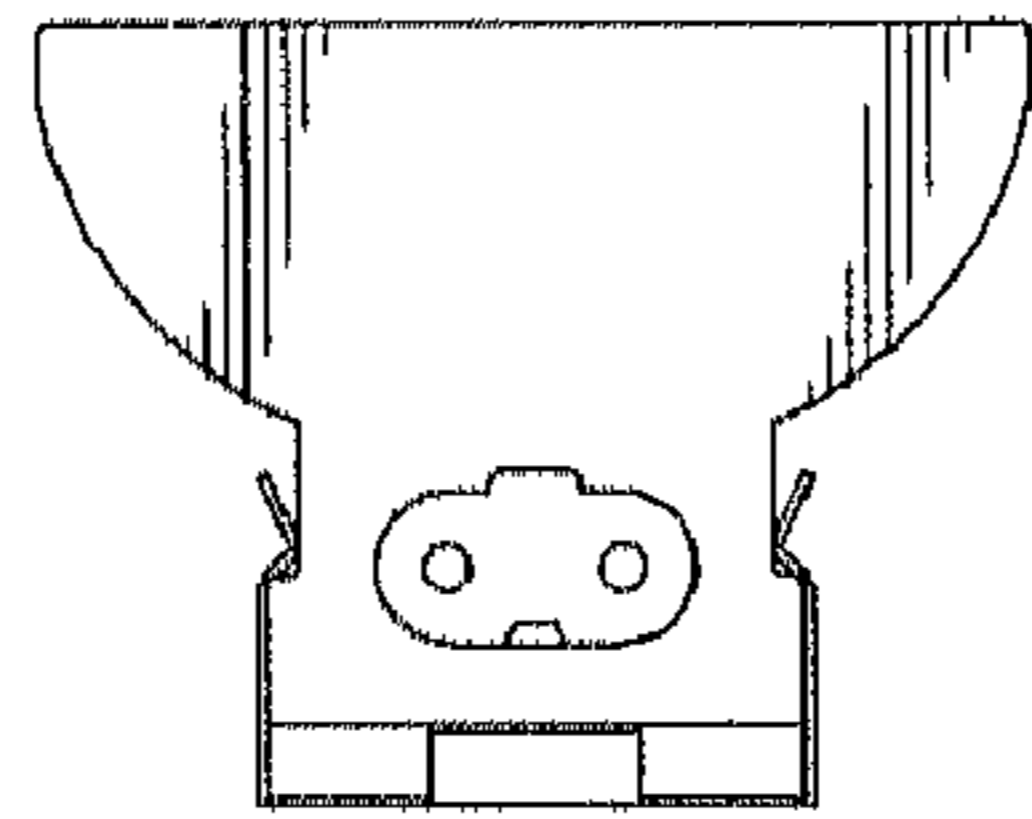


FIG. 2

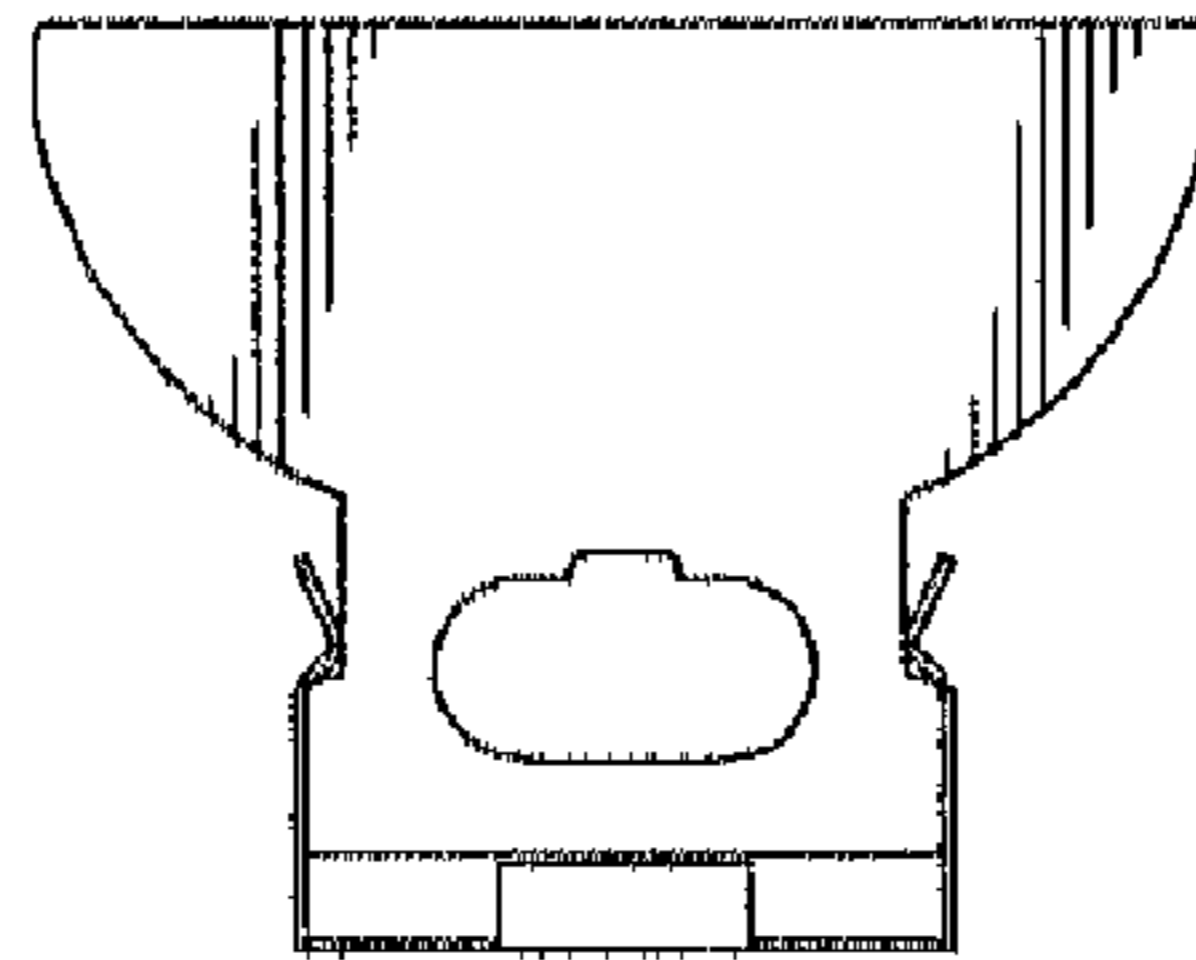


FIG. 3

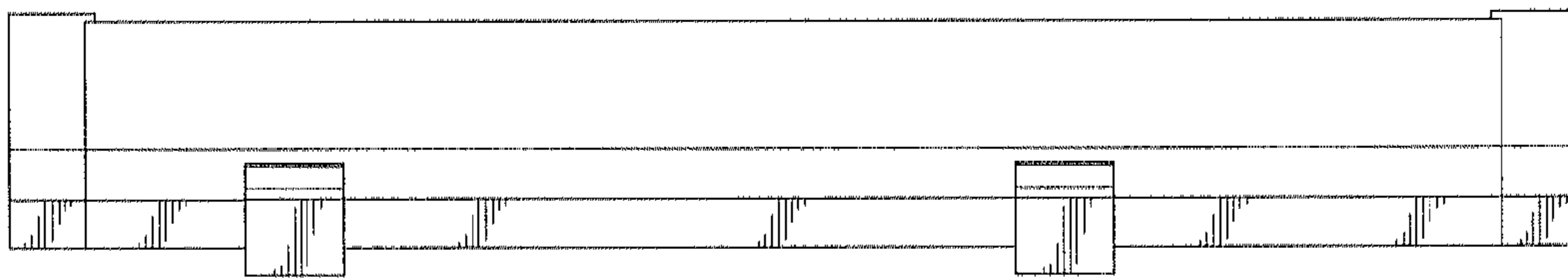


FIG. 4

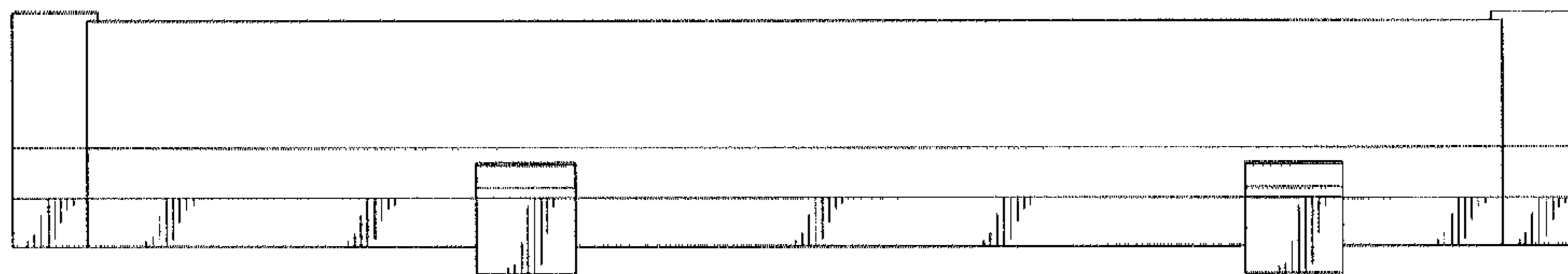


FIG. 5

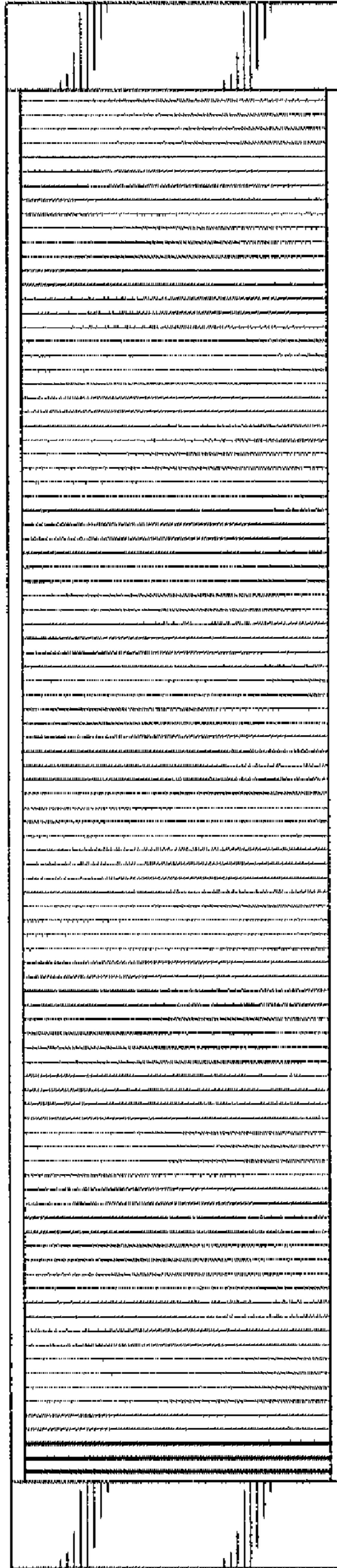


FIG. 6

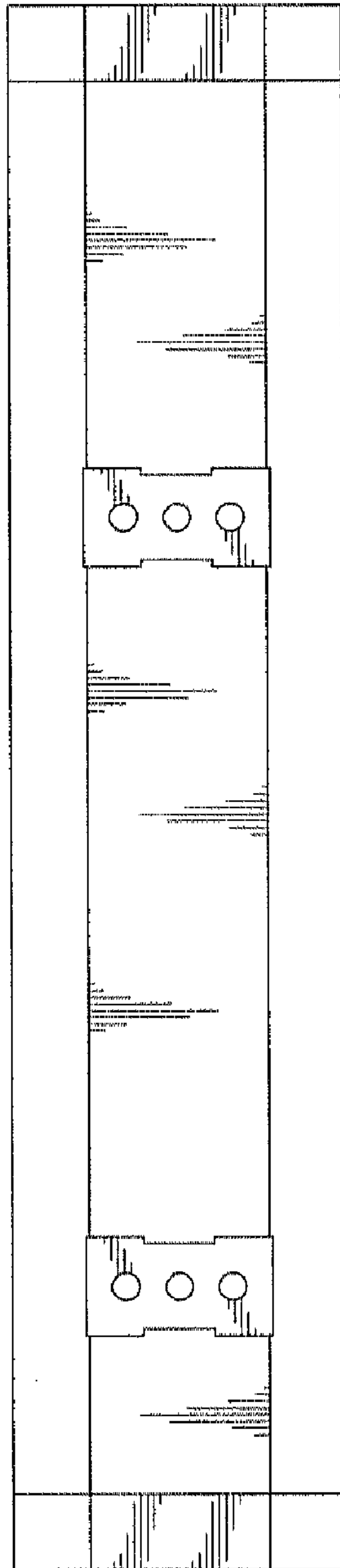


FIG. 7

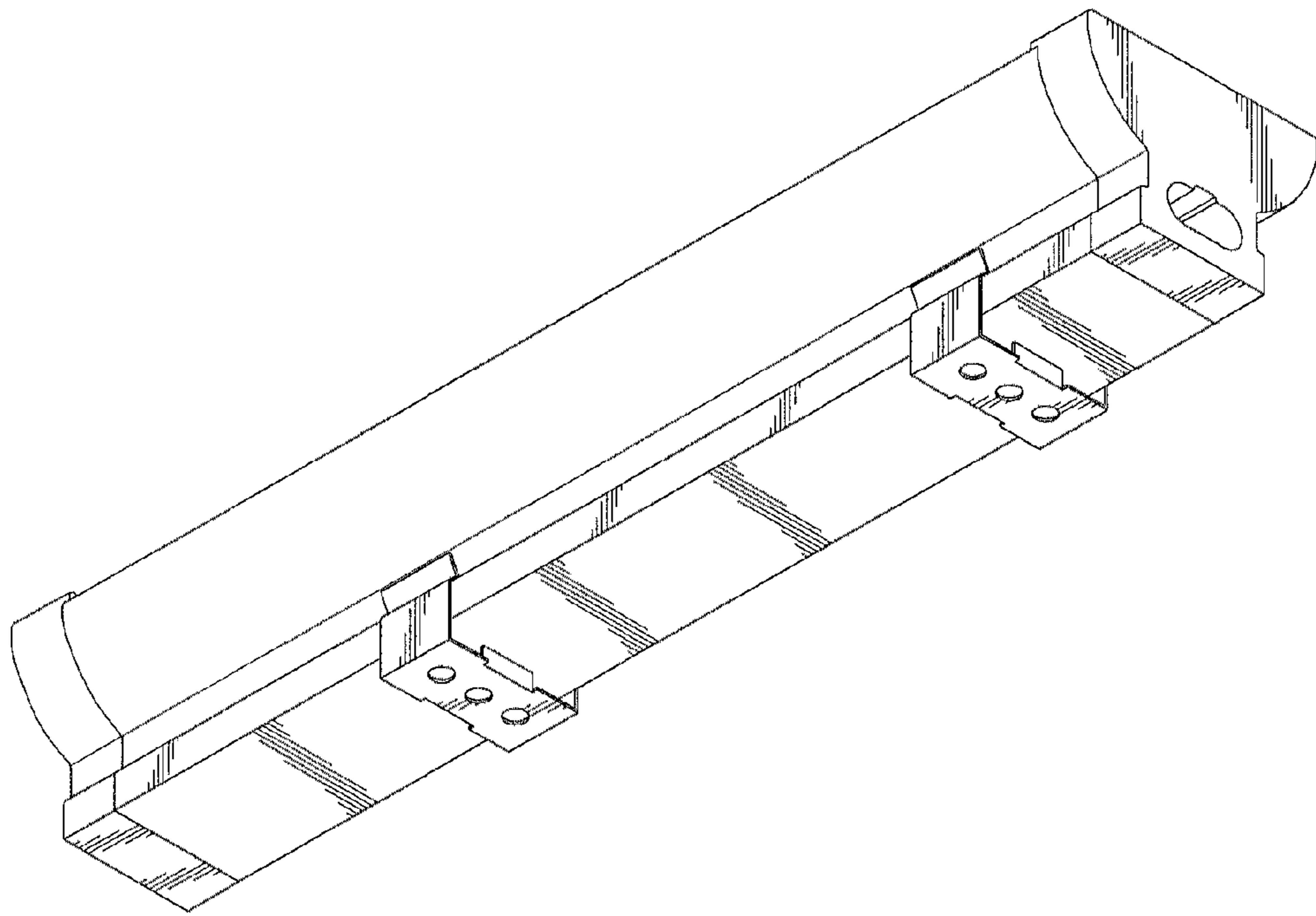


FIG. 8