



US00D670850S

(12) **United States Design Patent**
Helenowski

(10) **Patent No.:** **US D670,850 S**

(45) **Date of Patent:** **** Nov. 13, 2012**

(54) **LIGHT FIXTURE**

(76) Inventor: **Jacek Helenowski**, Stone Park, IL (US)

(**) Term: **14 Years**

(21) Appl. No.: **29/372,392**

(22) Filed: **Nov. 15, 2010**

(51) **LOC (9) Cl.** **26-03**

(52) **U.S. Cl.** **D26/76**

(58) **Field of Classification Search** D26/72,
D26/74, 75, 76, 77, 78, 79, 80, 81, 82, 83,
D26/84, 85, 88, 89, 90, 122; 362/145, 146,
362/147, 148, 150, 151, 152, 153, 153.1,
362/217.01, 217.02, 217.05, 217.06, 217.07,
362/217.08, 217.09, 217.1, 217.11, 249.02,
362/260, 296.07, 311.02

See application file for complete search history.

(56) **References Cited**

U.S. PATENT DOCUMENTS

D122,145 S *	8/1940	MacCarthy	D26/78
D123,768 S *	12/1940	Scribner	D26/78
D125,091 S *	2/1941	Miles	D26/78
D374,301 S *	10/1996	Kleffman	D26/76
5,865,528 A *	2/1999	Compton et al.	362/300
D452,030 S *	12/2001	Collver	D26/76

D485,635 S *	1/2004	Schuetz et al.	D26/76
D499,504 S *	12/2004	Meyer	D26/76
7,175,312 B2 *	2/2007	Fowler, Jr.	362/260
D592,786 S *	5/2009	Bisberg et al.	D26/76
D632,418 S *	2/2011	Bisberg et al.	D26/76
2003/0058640 A1 *	3/2003	McAlpin	362/225
2011/0235317 A1 *	9/2011	Verfuert et al.	362/217.05

* cited by examiner

Primary Examiner — Angela J Lee

(57) **CLAIM**

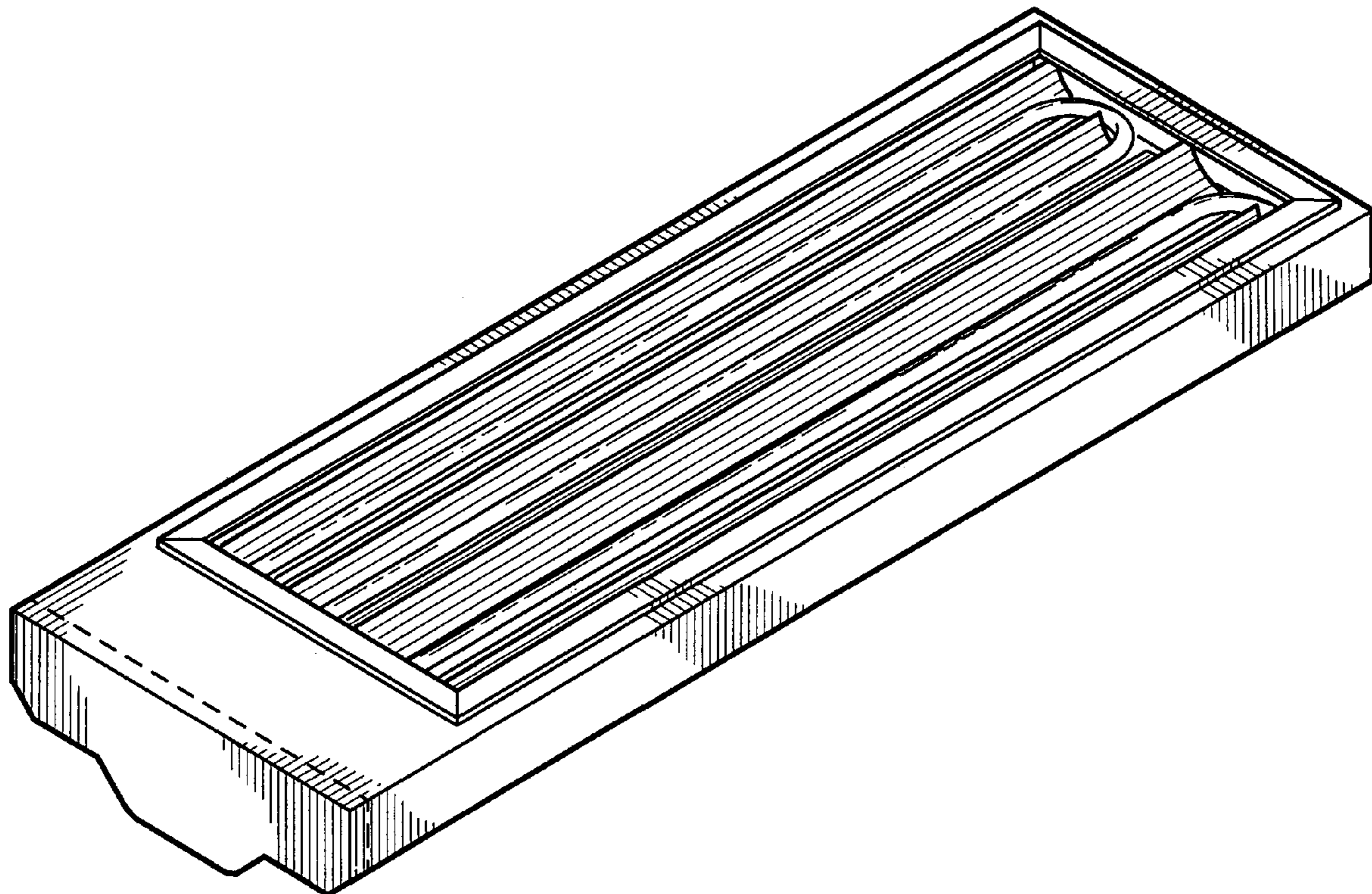
I claim the ornamental design for a light fixture, as shown and described.

DESCRIPTION

FIG. 1 is a perspective view of an embodiment of an ornamental design for a light fixture;
FIG. 2 is a top plan view thereof;
FIG. 3 is a left side elevation view thereof;
FIG. 4 is a right side elevation thereof; and,
FIG. 5 is a rear elevation thereof.

The broken lines showing in FIG. 1, FIG. 3, and FIG. 4 are presented for illustrative purposes only and form no part of the claimed design.

1 Claim, 2 Drawing Sheets



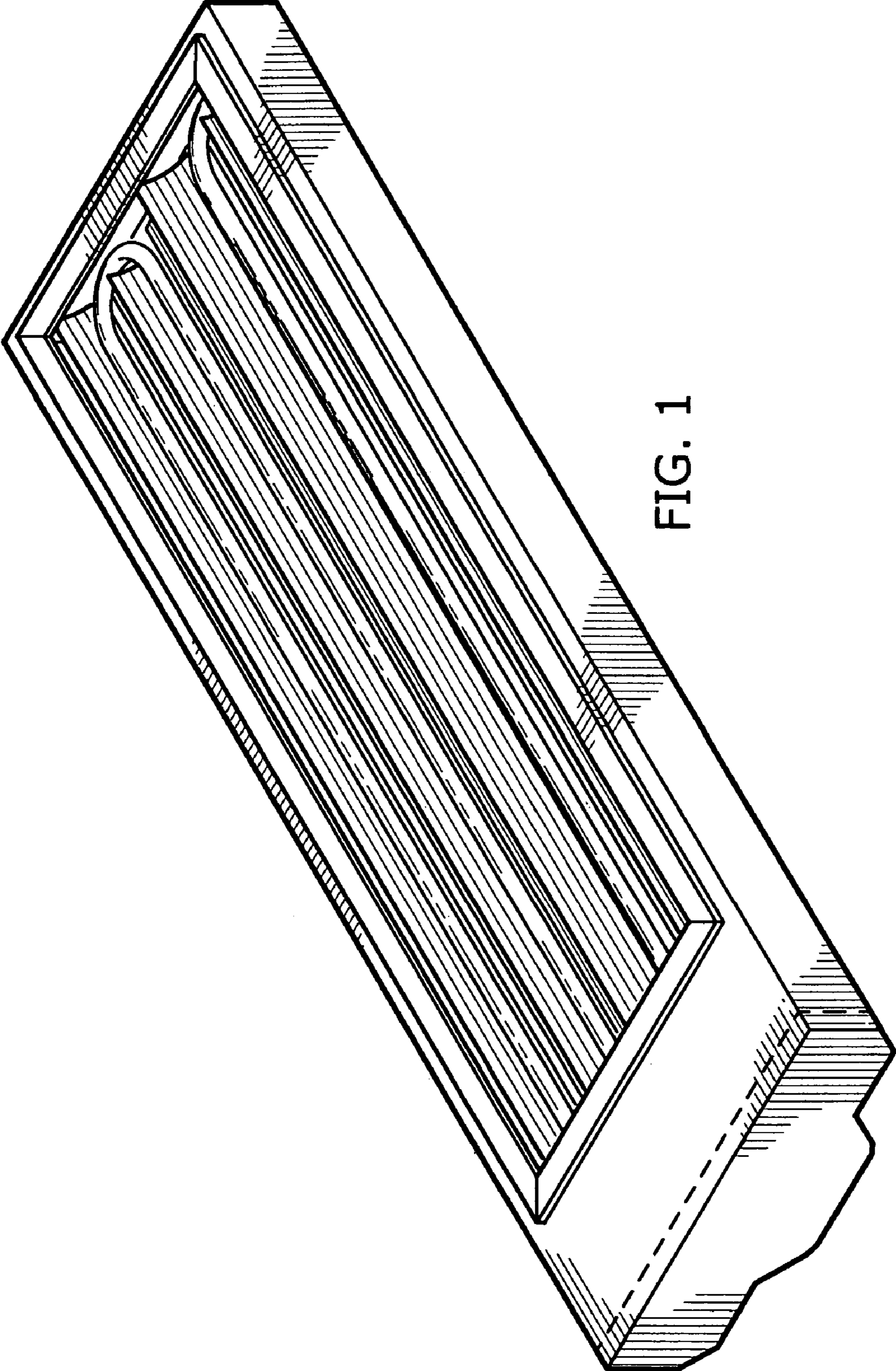


FIG. 1

FIG. 5

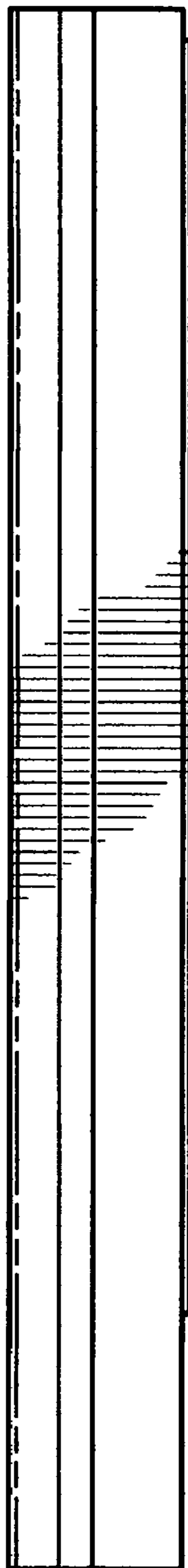


FIG. 2

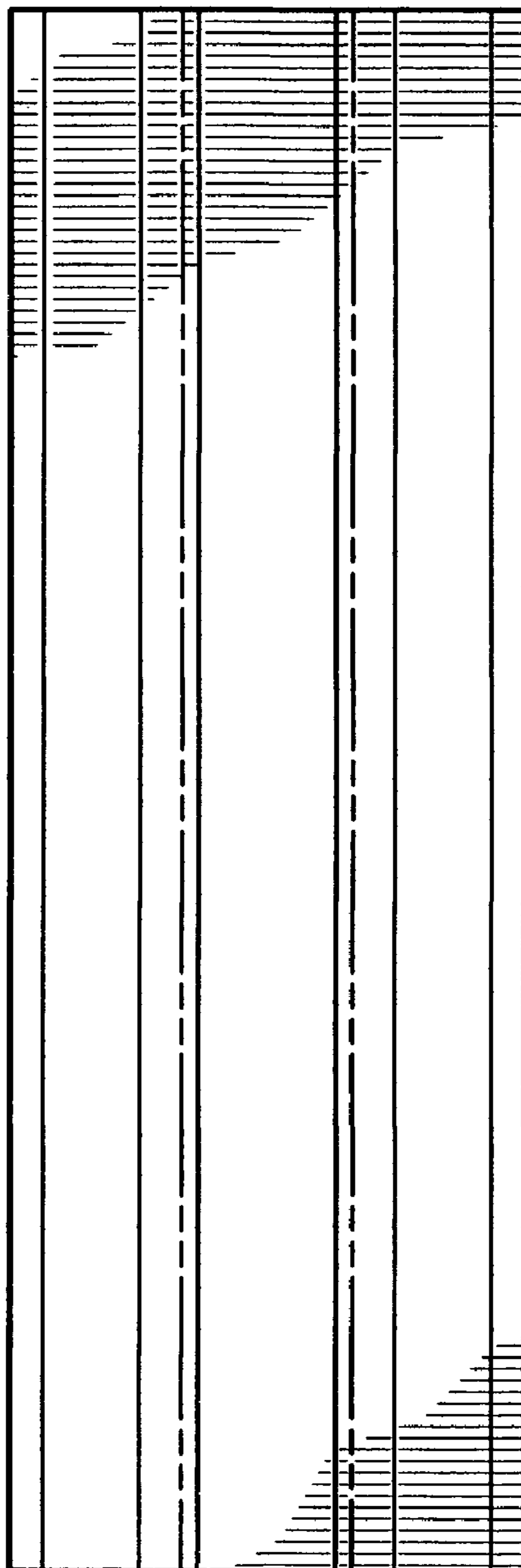


FIG. 3



FIG. 4

