



US00D670847S

(12) **United States Design Patent**
Herberholt

(10) **Patent No.:** **US D670,847 S**

(45) **Date of Patent:** **** Nov. 13, 2012**

(54) **INTERIOR LIGHT ASSEMBLY WITH
FLARED VISOR**

(75) Inventor: **Steven James Herberholt**, St. Charles,
MO (US)

(73) Assignee: **Code 3, Inc.**, St. Louis, MO (US)

(**) Term: **14 Years**

(21) Appl. No.: **29/391,472**

(22) Filed: **May 9, 2011**

(51) **LOC (9) Cl.** **26-05**

(52) **U.S. Cl.** **D26/63; D26/60**

(58) **Field of Classification Search** D26/60-66,
D26/28, 29, 31, 34, 72, 74, 76, 77, 85, 87;
362/240, 249.1, 249.01-249.03, 249.07,
362/249.09, 269, 270, 277, 280-285, 287,
362/311.02, 217.02, 278, 418, 432, 449,
362/319, 322, 253, 257, 268, 397, 806, 227,
362/487-490, 509-512, 516-519, 523, 540,
362/544, 546-549, 396, 301, 362, 368-371,
362/220-225, 217.08, 249.11, 365, 459,
362/542; D10/109.1, 111, 114.1, 114.3

See application file for complete search history.

(56) **References Cited**

U.S. PATENT DOCUMENTS

4,222,092	A	9/1980	Bray
4,575,782	A	3/1986	Levine et al.
4,654,757	A	3/1987	Birkhauser
4,734,675	A	3/1988	Wen

(Continued)

OTHER PUBLICATIONS

CrossFire LED & Safety Products, 'The Flash' Single Head Wind-
shield Mount Warning Light on p. 1 of 2. © 2009. [Retrieved on Feb.

8, 2012]. Retrieved from the Internet <URL: http://www.crossfireled.com/mm5/merchant.mvc?Screen=CTGY & Store_Code=CF& Categ...>.*

(Continued)

Primary Examiner — Susan M Lee

Assistant Examiner — Linda G. Brooks

(74) *Attorney, Agent, or Firm* — Senniger Powers LLP

(57) **CLAIM**

The ornamental design for an interior light assembly with flared visor, as shown and described.

DESCRIPTION

FIG. 1 is a top perspective view of an interior light assembly with flared visor, and illustrates a mounting bracket therefor in phantom;

FIG. 2 is a bottom perspective view of the interior light assembly with flared visor;

FIG. 3 is a front view of the interior light assembly with flared visor;

FIG. 4 is a right side view of the interior light assembly with flared visor, the left side view being a mirror image thereof;

FIG. 5 is a right side view of the interior light assembly with flared visor illustrating a pivoted position of the flared visor, the left side view being a mirror image thereof;

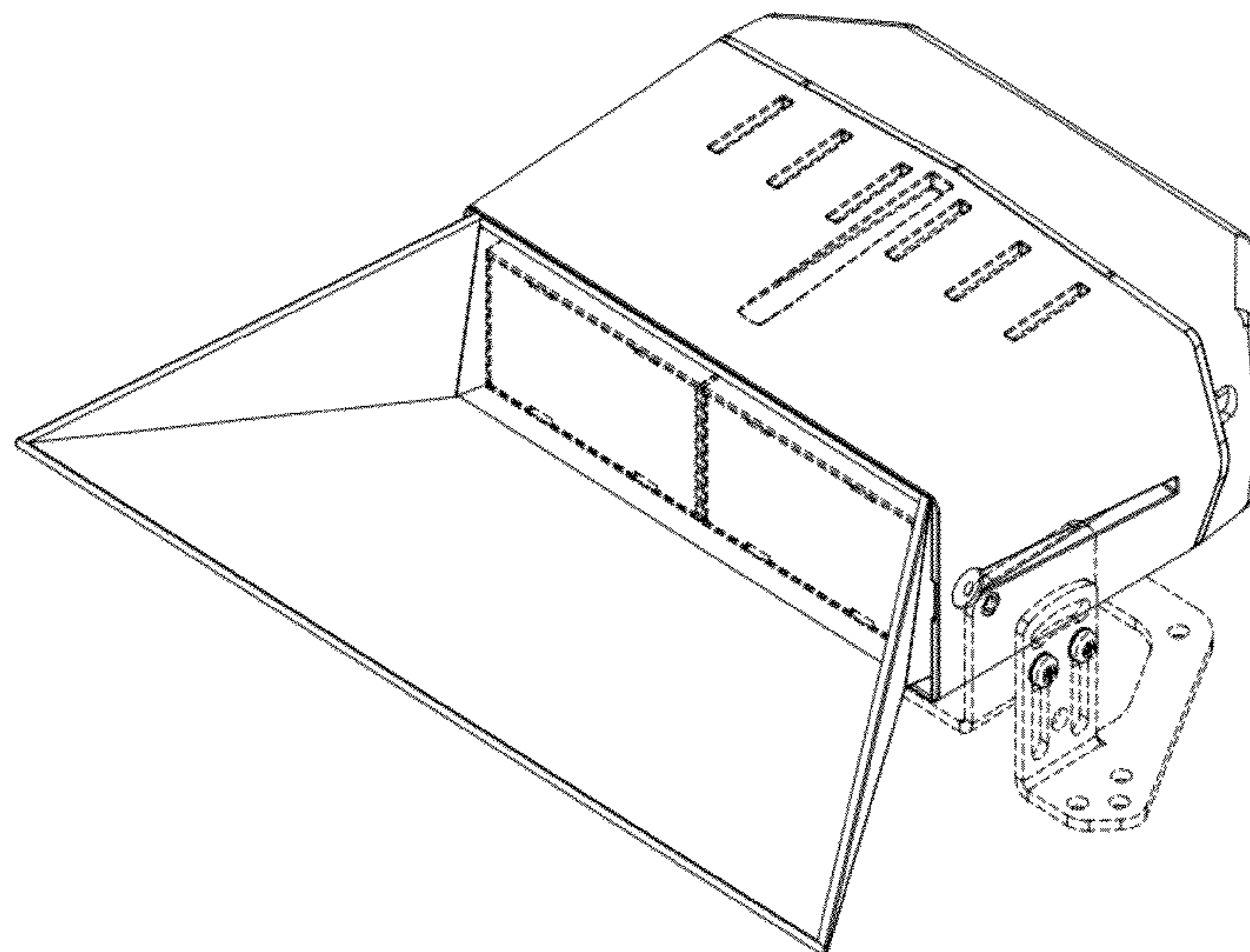
FIG. 6 is a bottom view of the interior light assembly with flared visor;

FIG. 7 is a rear view thereof; and,

FIG. 8 is a top view thereof.

All areas contained within the broken lines on the top and bottom surfaces of the interior light assembly with flared visor form no part of the claimed design. The other features shown in broken lines are environmental structure that form no part of the claimed design.

1 Claim, 8 Drawing Sheets



U.S. PATENT DOCUMENTS

4,751,493 A 6/1988 Miller
4,851,970 A 7/1989 Bronder
D304,504 S 11/1989 Chen
D313,480 S 1/1991 Criswell
5,319,530 A 6/1994 Kreutzer et al.
5,486,808 A 1/1996 Nejdil
6,264,354 B1 7/2001 Motilal
7,093,959 B2 8/2006 Tsao
7,106,185 B1 9/2006 Neufeglise
7,325,938 B2 2/2008 Yoshida et al.
D617,929 S * 6/2010 Kuo D26/60
7,771,092 B2 8/2010 Yeh
D629,548 S * 12/2010 Cai et al. D26/63

OTHER PUBLICATIONS

CrossFire LED & Safety Products, 'X2 Dual Linear LED Emergency Warning Windshield Mount and Dash Light.' © 2009. [Retrieved on Feb. 8, 2012]. Retrieved from the Internet <URL: http://www.crossfireled.com/mm5/merchant.mvc!Screen=PROD & Store_Code=CF&pRODUC...22 .*

Whelen® dash lights and Signal® dash light . 2008. [Retrieved on Feb. 8, 2012]. Retrieved from the Internet <URL: <http://powellsemergencyvehicleupfitting.ecrater.com/c/614938/led-dash-lights-interior-light...> .*

* cited by examiner

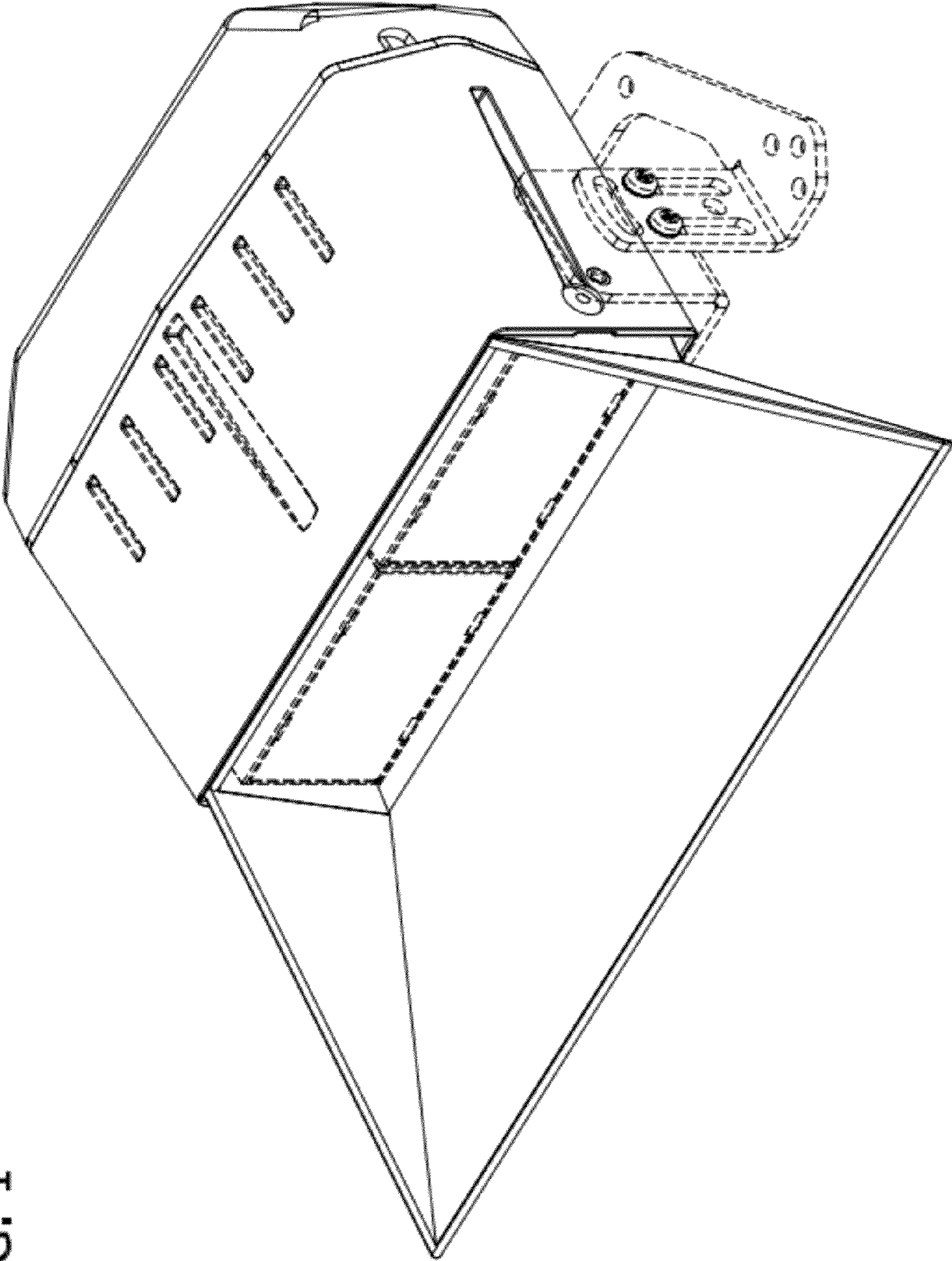


FIG. 1

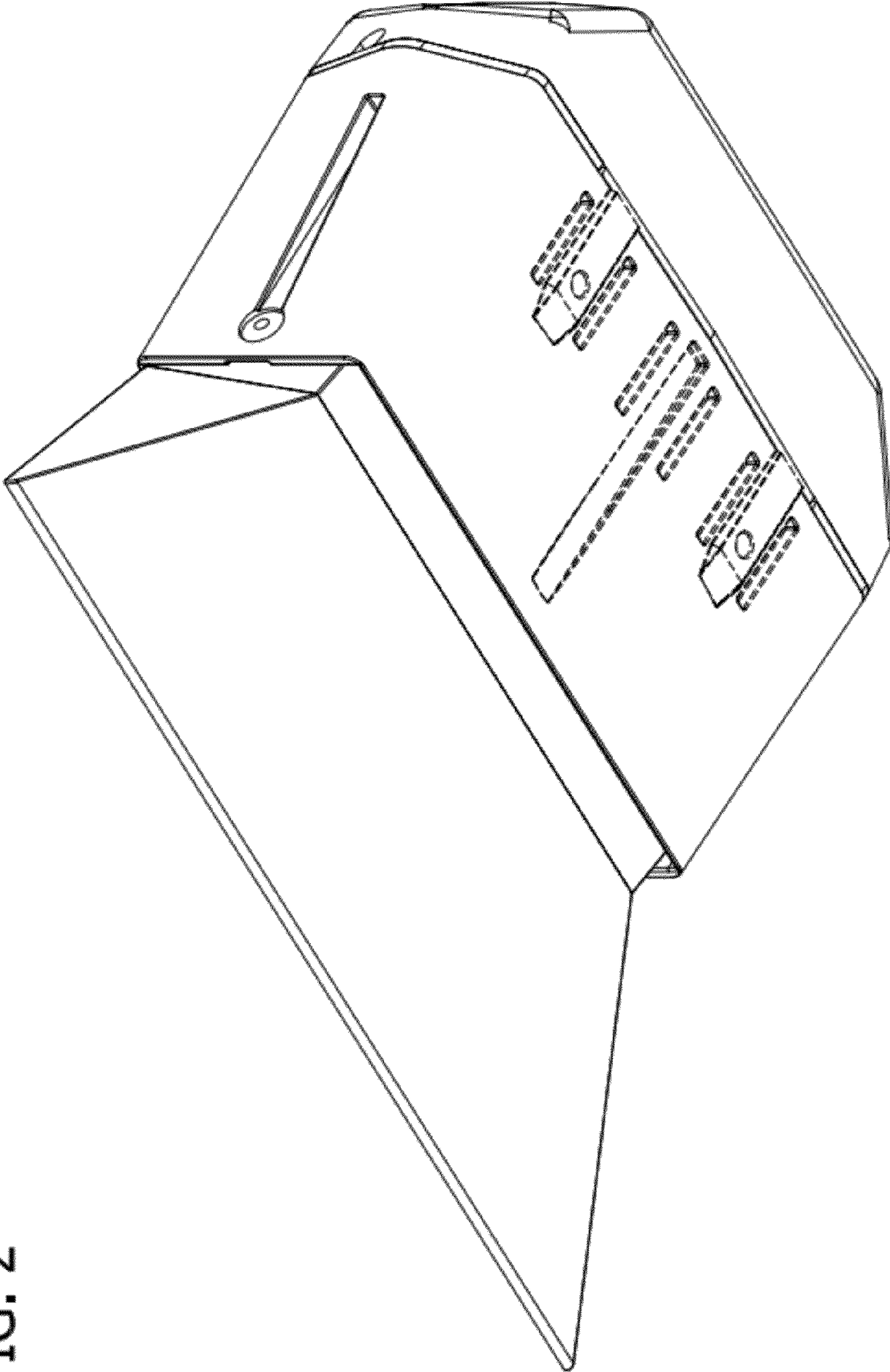
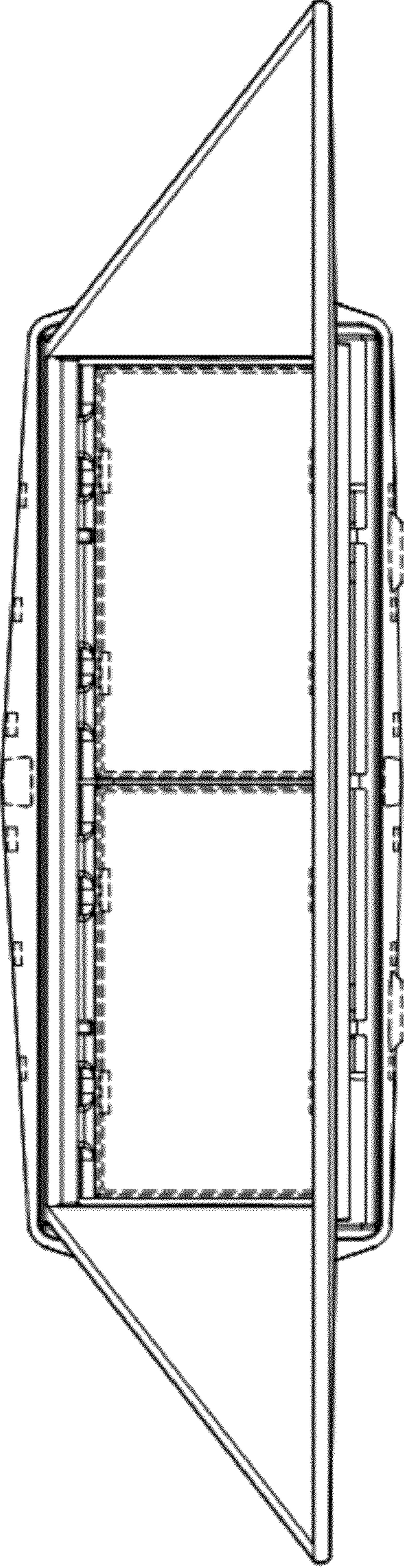


FIG. 2

FIG. 3



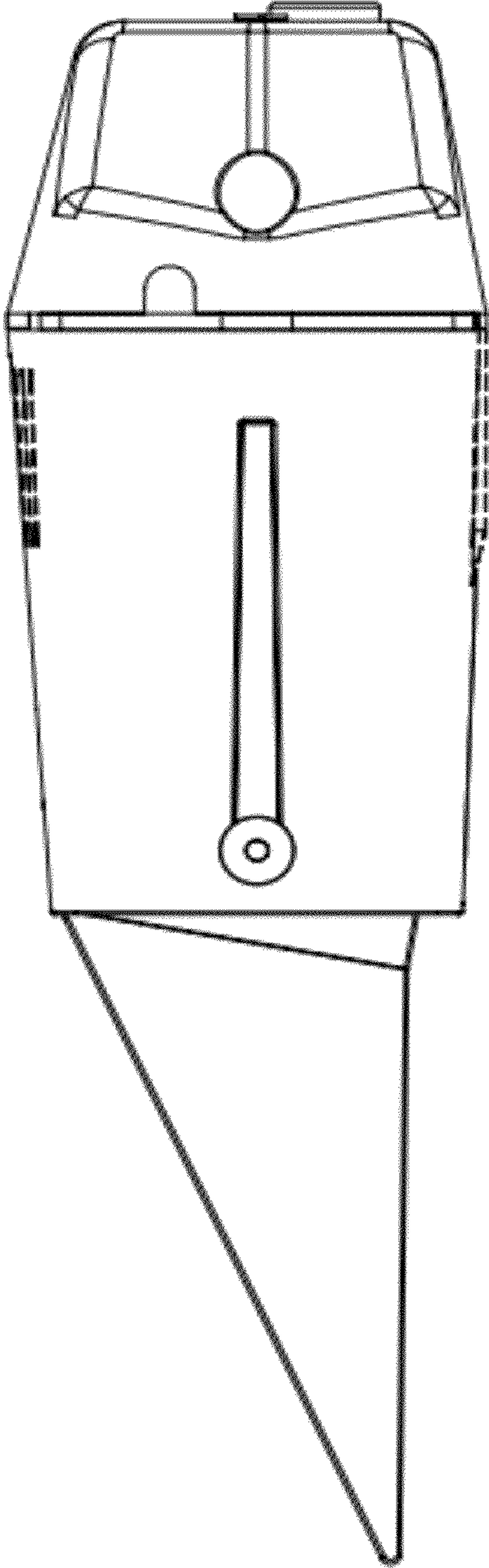


FIG. 4

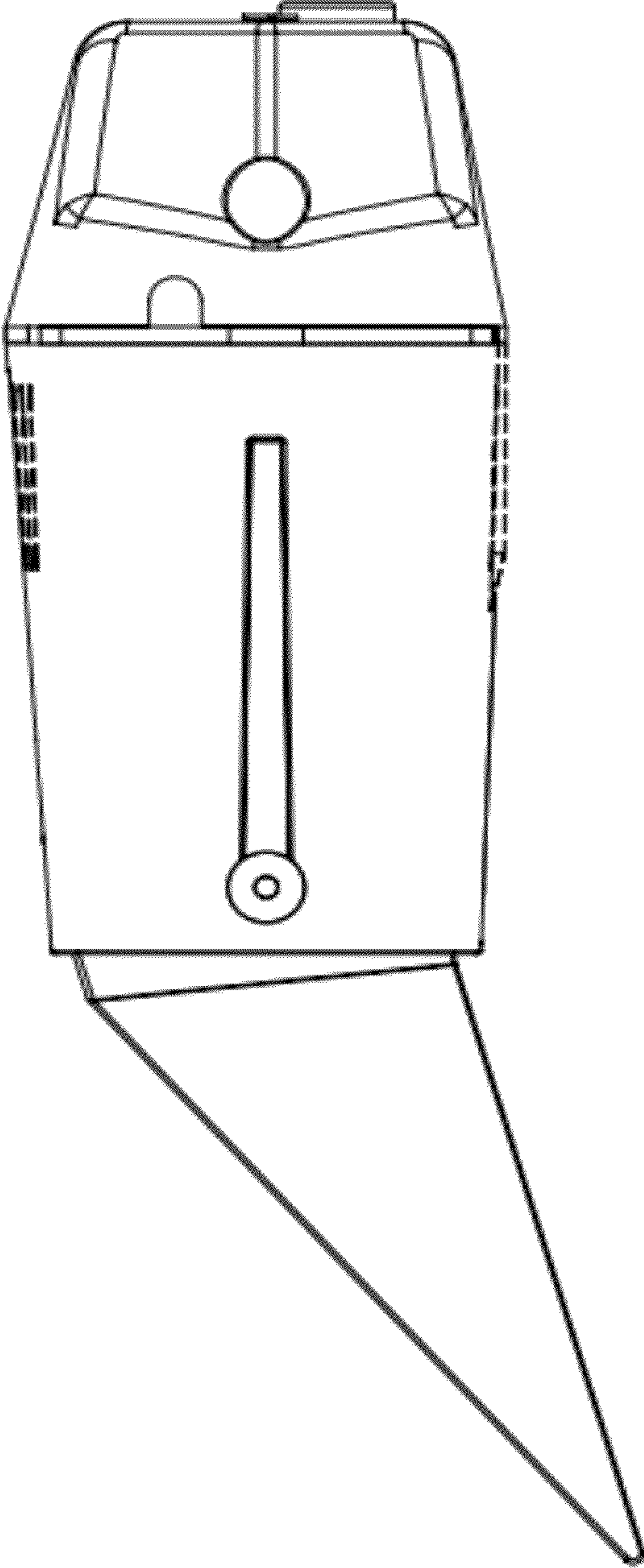


FIG. 5

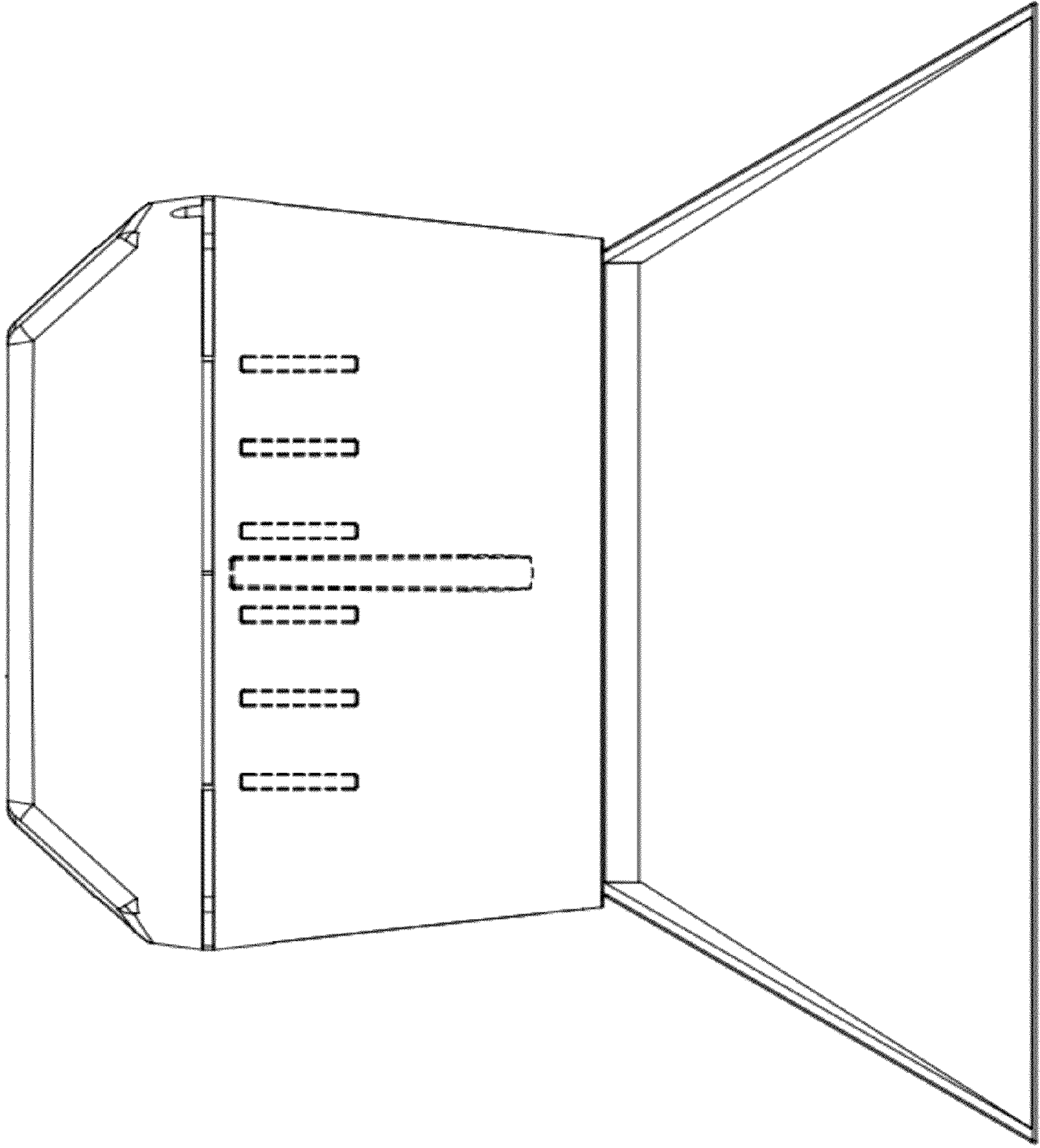


FIG. 6

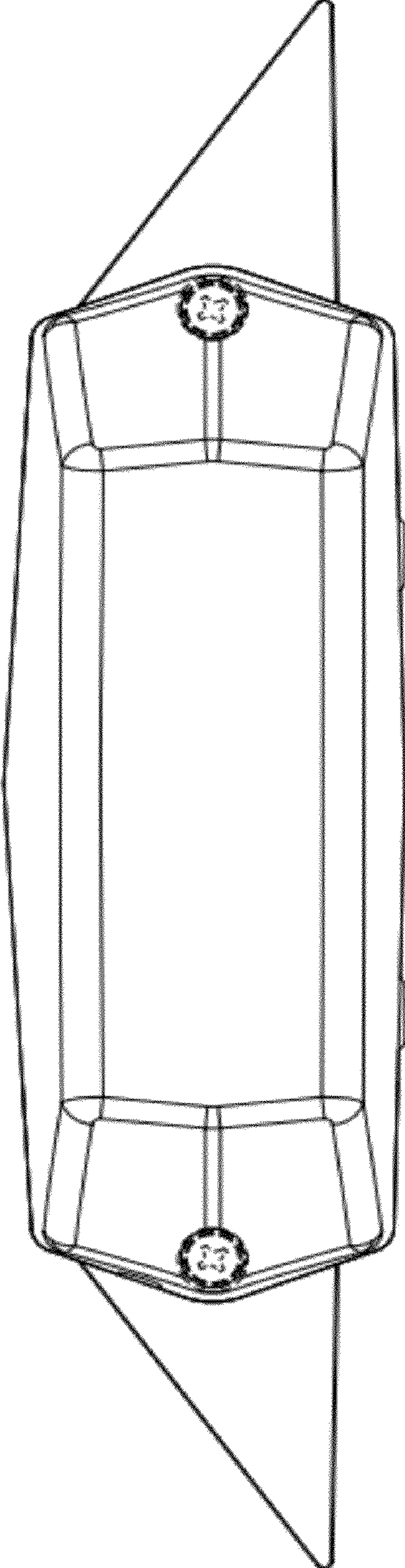


FIG. 7

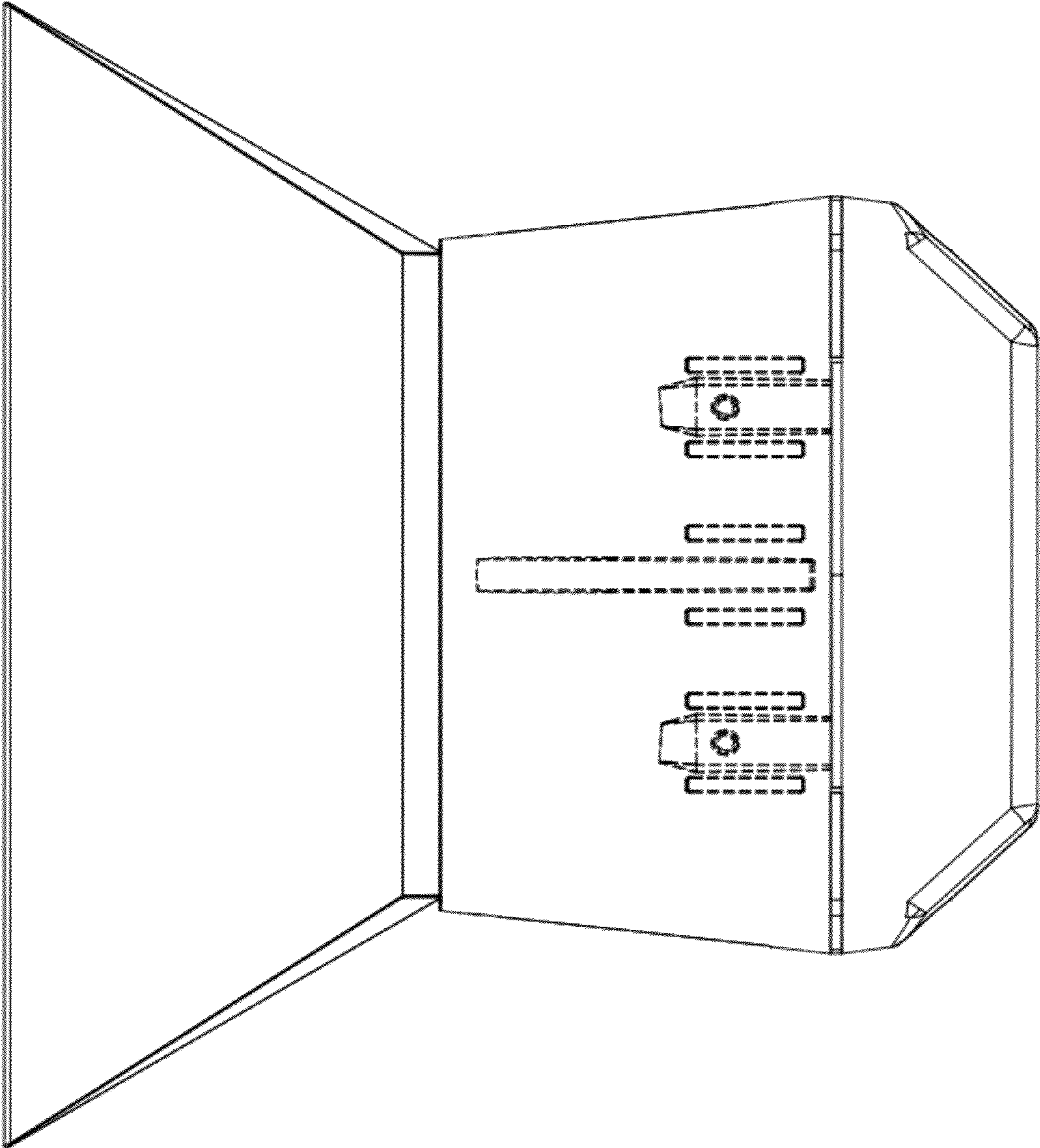


FIG. 8