



US00D670846S

(12) **United States Design Patent**  
**Ramirez**

(10) **Patent No.:** **US D670,846 S**

(45) **Date of Patent:** **\*\* Nov. 13, 2012**

(54) **LIGHTING FIXTURE**

(75) **Inventor:** **Rafael M. Ramirez**, Brooklyn, NY (US)

(73) **Assignee:** **Litelab Corp.**, Buffalo, NY (US)

(\*\*) **Term:** **14 Years**

(21) **Appl. No.:** **29/389,012**

(22) **Filed:** **Apr. 5, 2011**

(51) **LOC (9) Cl.** ..... **26-05**

(52) **U.S. Cl.** ..... **D26/63**

(58) **Field of Classification Search** ..... D26/60-66,  
D26/72, 80, 87, 89, 85, 92, 82, 86, 88, 90,  
D26/91; 362/551-561, 580-582, 640, 648,  
362/404, 408, 287, 319, 418, 419, 430, 432,  
362/647, 653, 311.13, 362, 382, 367, 368,  
362/427, 257, 147, 269-271, 277, 278, 282,  
362/285, 227, 235, 236-241, 249.1, 249.01-249.09,  
362/249.11, 249.14, 249.16, 264, 268, 294,  
362/652, 800, 806

See application file for complete search history.

(56) **References Cited**

**U.S. PATENT DOCUMENTS**

5,548,500	A *	8/1996	MacKay	.....	362/427
5,683,173	A *	11/1997	Gronet et al.	.....	362/294
6,612,729	B1 *	9/2003	Hoffman	.....	362/551
6,632,008	B2 *	10/2003	Kalkbrenner	.....	362/554
D541,456	S *	4/2007	Kosche	.....	D26/63
7,334,945	B2 *	2/2008	Bina et al.	.....	385/88
7,341,362	B2 *	3/2008	Bjornson et al.	.....	362/294

D587,832	S *	3/2009	Bergmann et al.	.....	D26/63
D604,880	S *	11/2009	Lovegrove	.....	D26/63
7,762,688	B2 *	7/2010	Dixon et al.	.....	362/287
D625,451	S *	10/2010	Rashidi	.....	D26/63
D625,867	S *	10/2010	Rashidi	.....	D26/63
D627,498	S *	11/2010	Chipperfield	.....	D26/63
D642,720	S *	8/2011	You	.....	D26/63
2005/0169015	A1 *	8/2005	Luk et al.	.....	362/648

\* cited by examiner

*Primary Examiner* — Susan M Lee

*Assistant Examiner* — Linda G. Brooks

(74) *Attorney, Agent, or Firm* — Hodgson Russ LLP

(57) **CLAIM**

The ornamental design for a lighting fixture, as shown and described.

**DESCRIPTION**

FIG. 1 is a perspective view of a lighting fixture according to the claimed design;

FIG. 2 is a front view of the lighting fixture depicted in FIG. 1;

FIG. 3 is a rear view of the lighting fixture depicted in FIG. 1;

FIG. 4 is a side view of the lighting fixture depicted in FIG. 1;

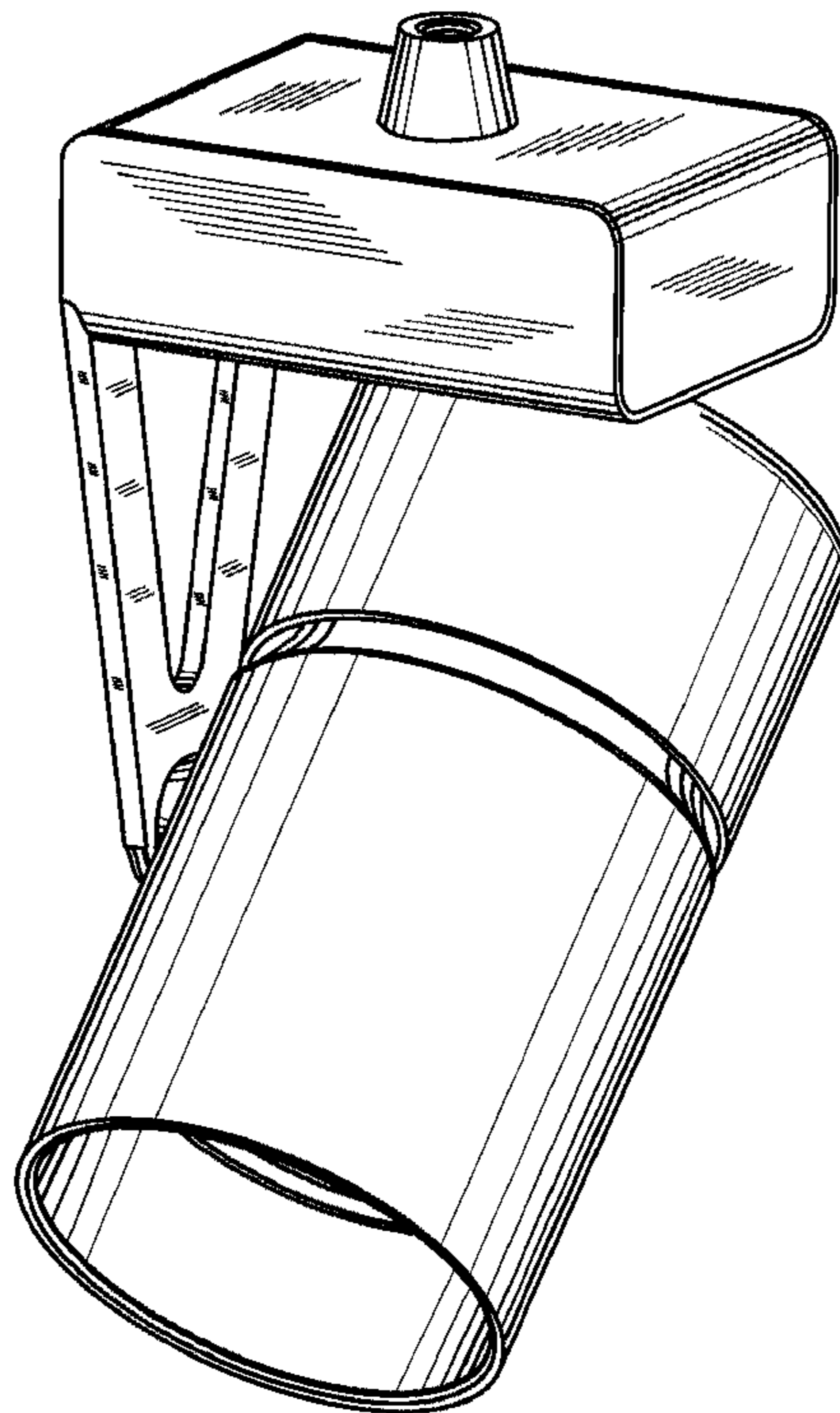
FIG. 5 is the opposite side view of the lighting fixture depicted in FIG. 4;

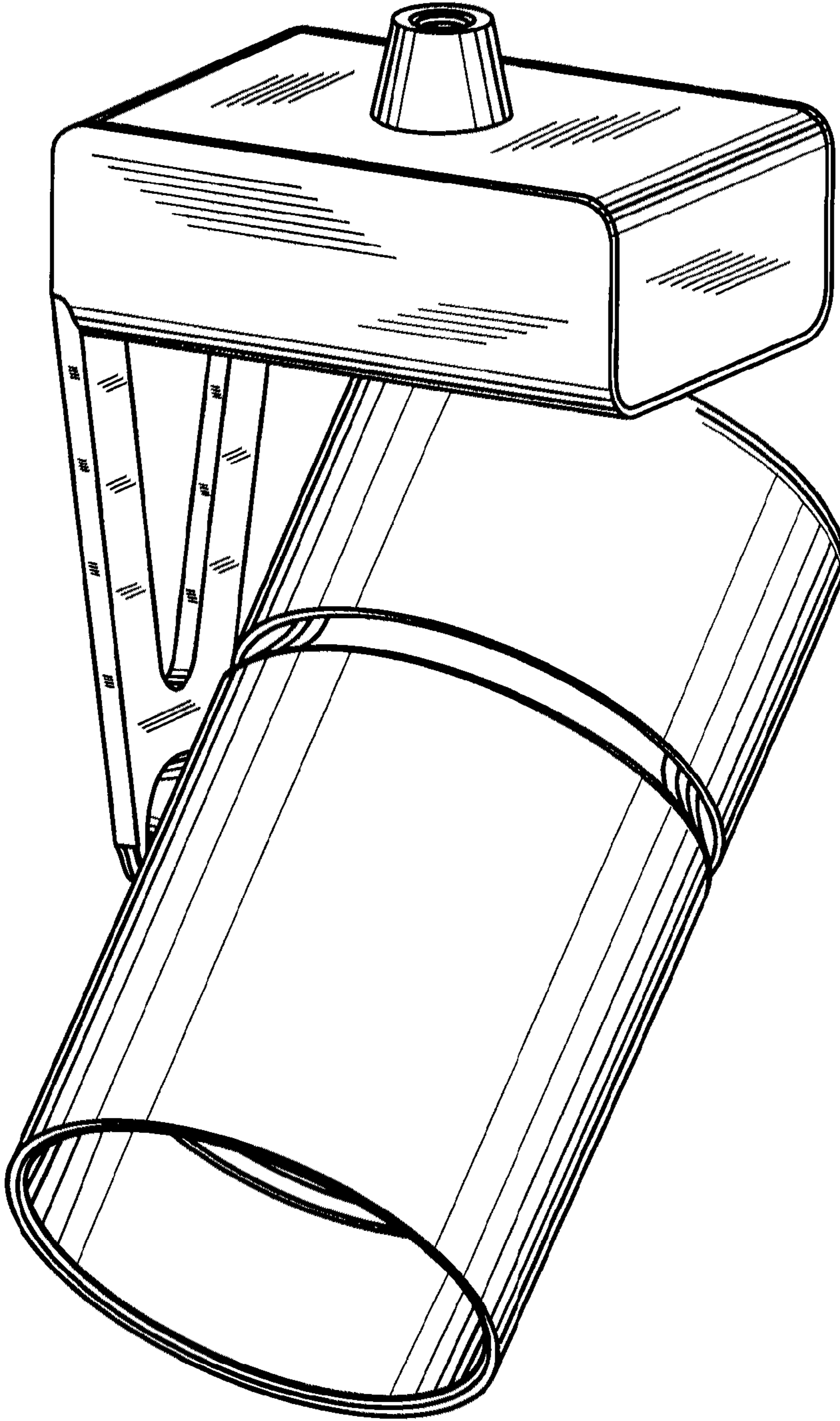
FIG. 6 is a bottom view of the lighting fixture depicted in FIG. 1; and,

FIG. 7 is a top view of the lighting fixture depicted in FIG. 1.

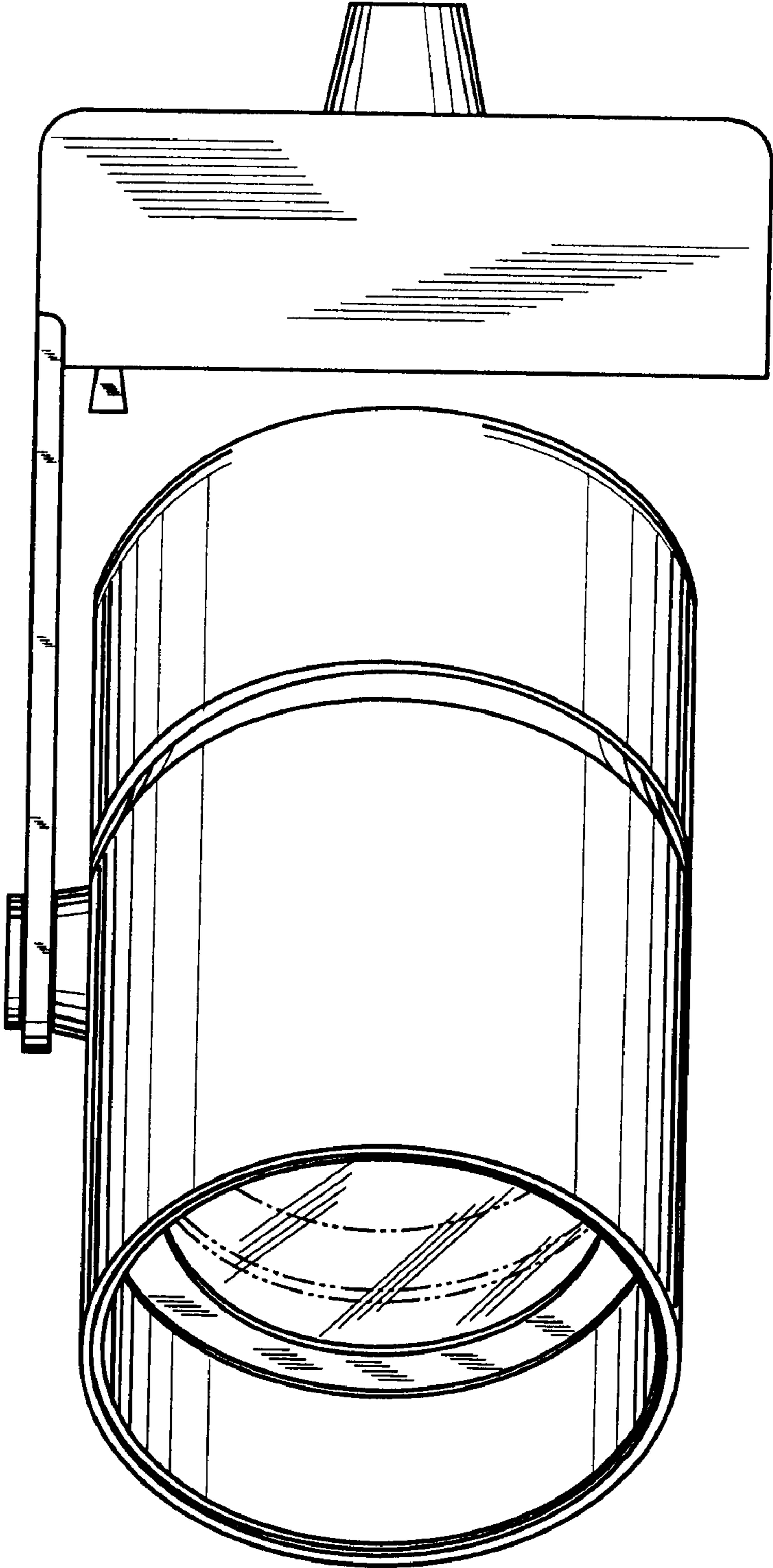
The broken lines in FIGS. 2 and 6 illustrate environmental features that form no part of the claimed design.

**1 Claim, 7 Drawing Sheets**

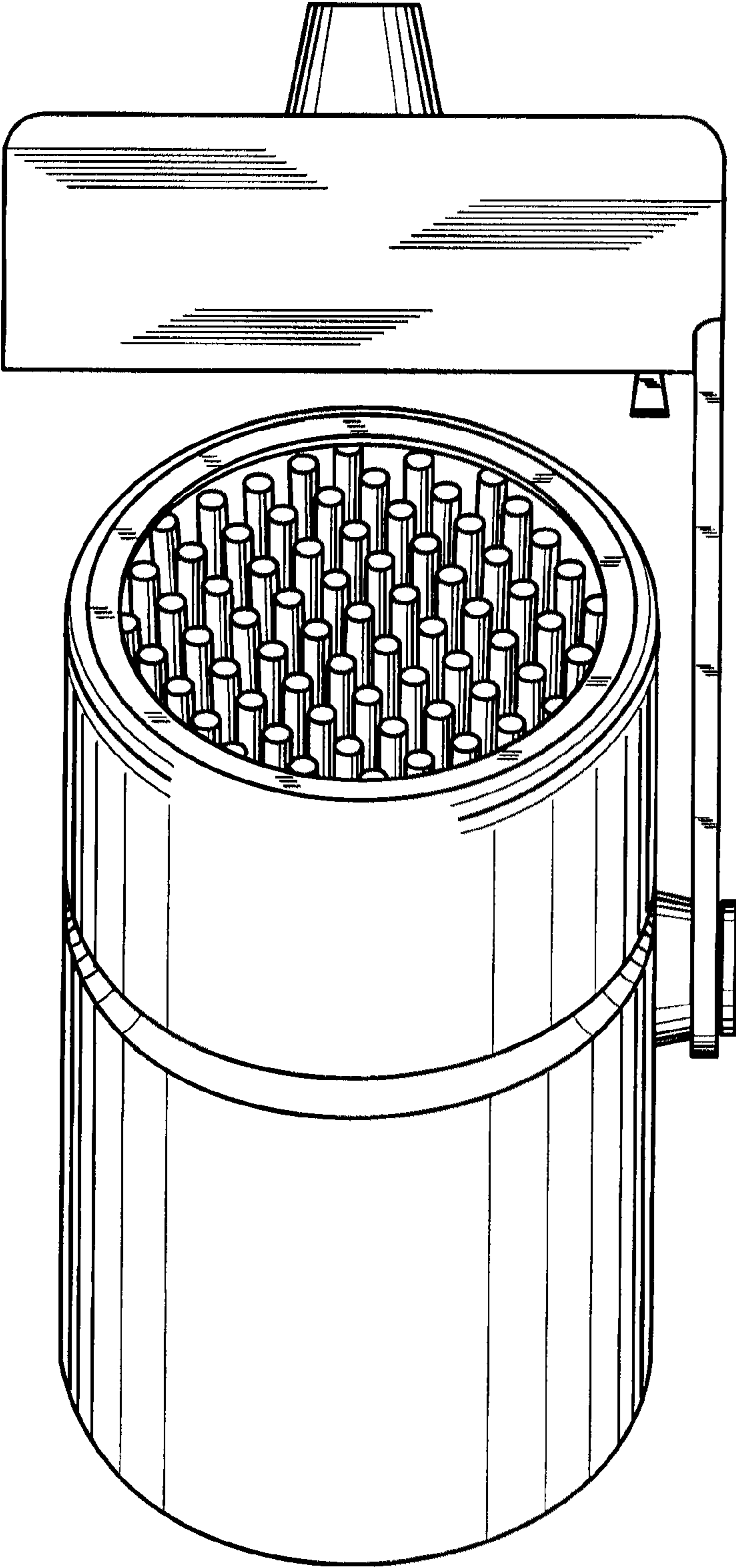




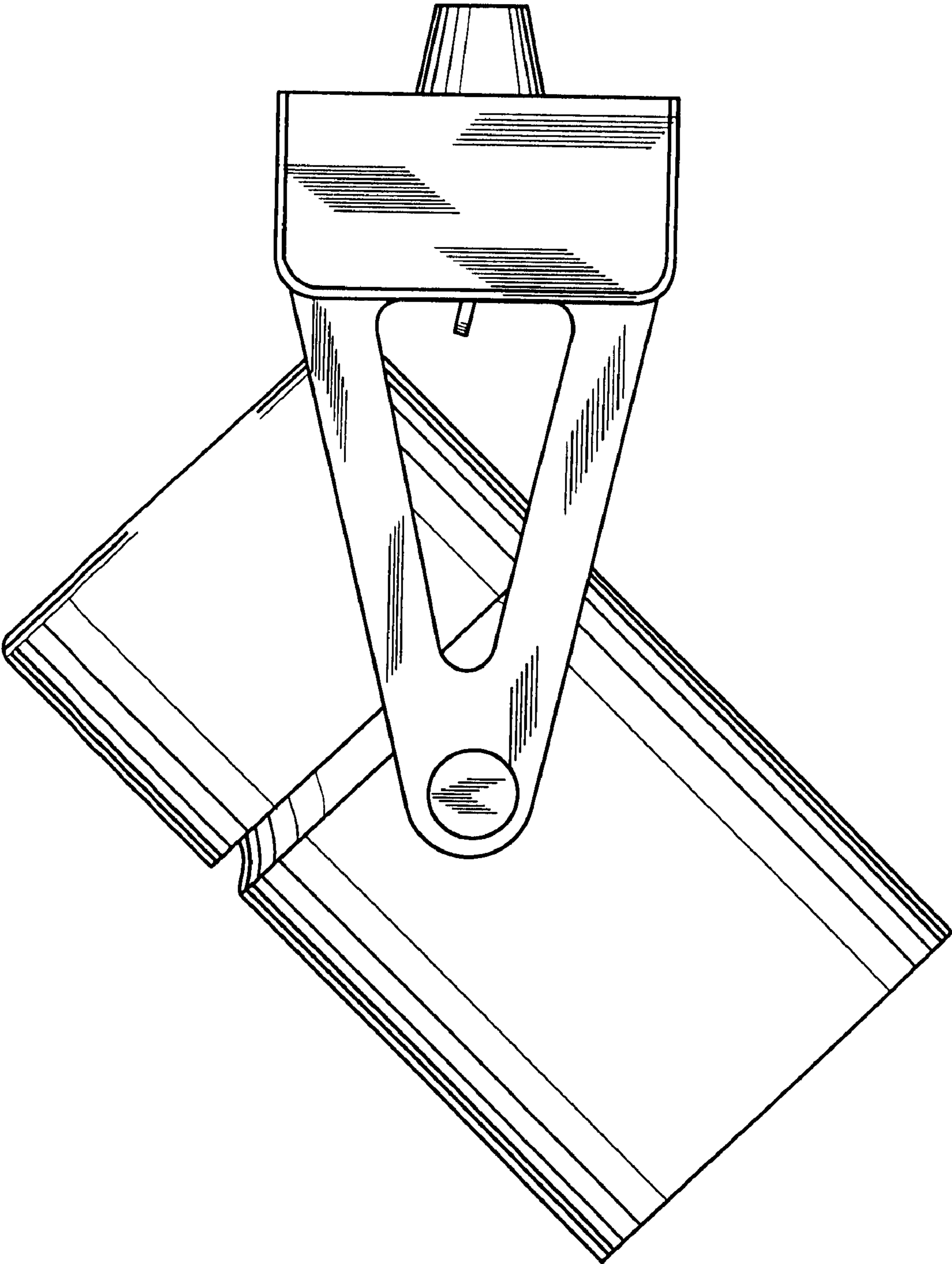
—FIG. 1



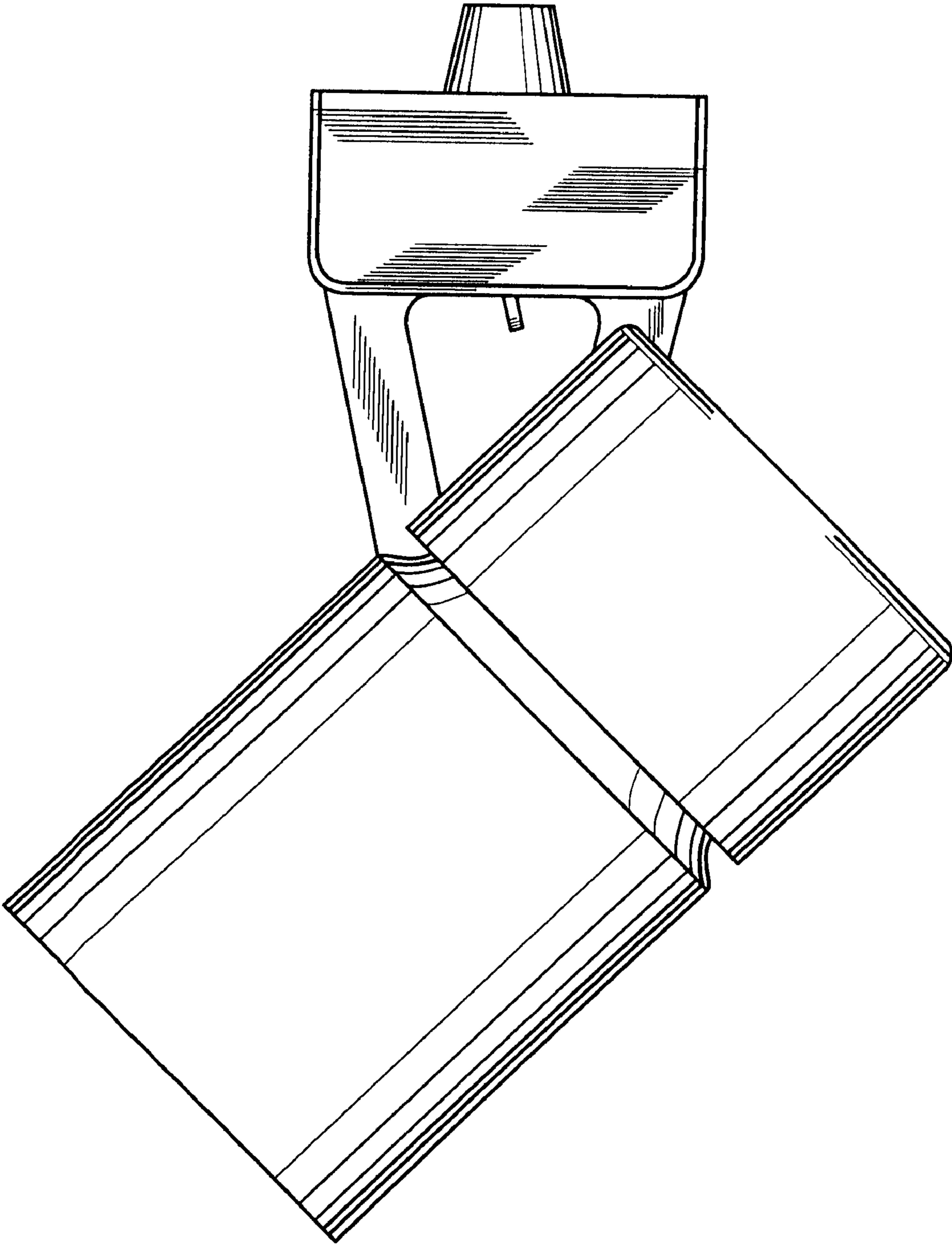
—FIG. 2



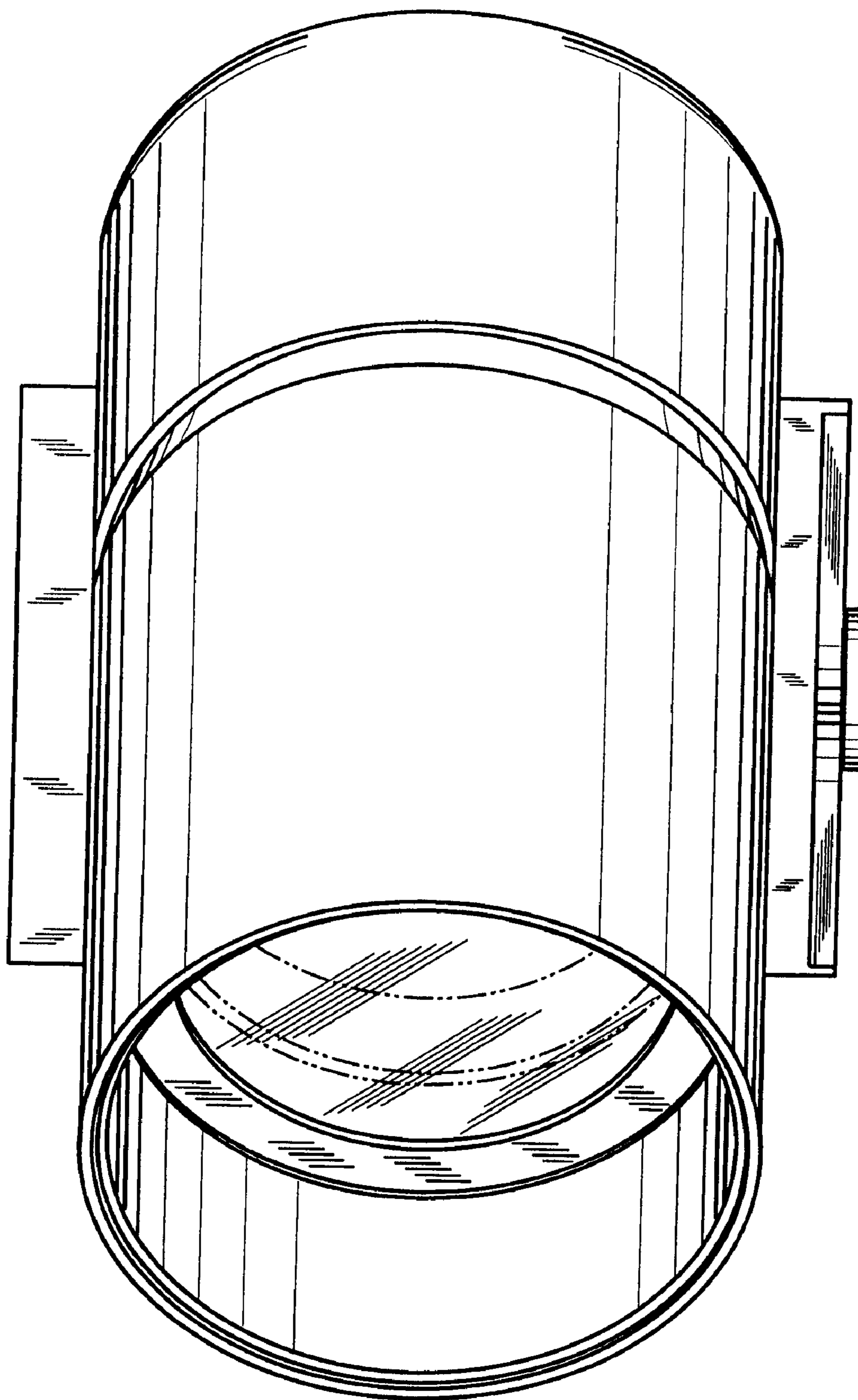
—FIG. 3



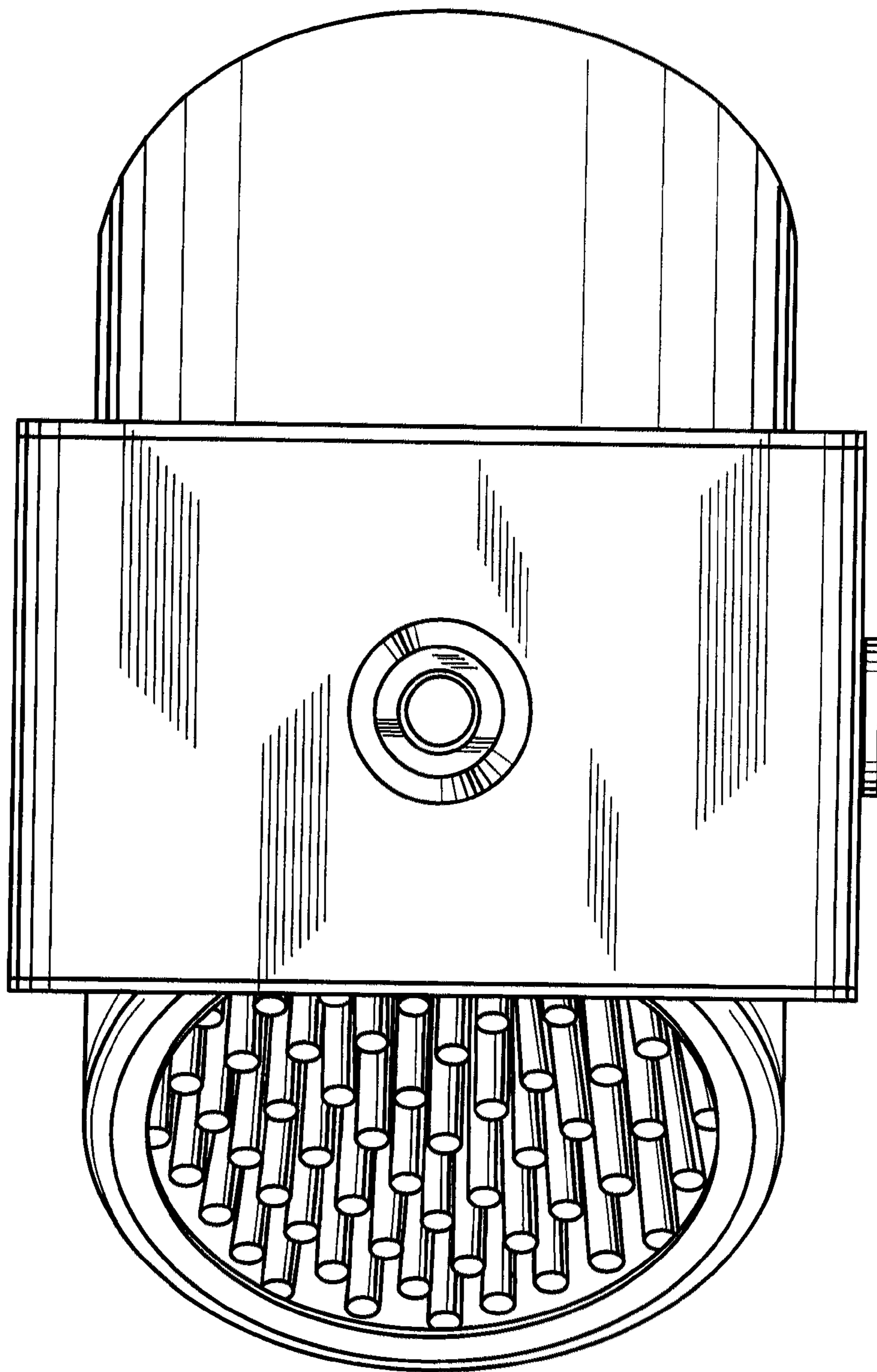
—FIG. 4



—FIG. 5



—FIG. 6



—FIG. 7