



US00D670845S

(12) **United States Design Patent**
Hsu

(10) **Patent No.:** **US D670,845 S**

(45) **Date of Patent:** **** Nov. 13, 2012**

(54) **CLAMP LAMP**

(76) Inventor: **Ching-Feng Hsu**, New Taipei (TW)

(**) Term: **14 Years**

(21) Appl. No.: **29/395,579**

(22) Filed: **Feb. 22, 2012**

(51) **LOC (9) Cl.** **26-05**

(52) **U.S. Cl.** **D26/60; D26/62**

(58) **Field of Classification Search** D26/60-66,
D26/37, 43, 44; 362/396, 98, 99, 157, 190,
362/191, 197, 198, 640, 269, 270, 274, 277,
362/278, 281-285, 287, 288, 418, 427, 430,
362/253, 33, 174, 428, 371, 372, 368
See application file for complete search history.

(56) **References Cited**

U.S. PATENT DOCUMENTS

5,209,562	A	*	5/1993	Glassford	362/378
D376,665	S	*	12/1996	Chan	D26/60
D376,865	S	*	12/1996	Chan	D26/60
D383,559	S	*	9/1997	Chan	D26/60
5,765,793	A	*	6/1998	Yu	362/396
D427,703	S	*	7/2000	Chan	D26/60

D438,318	S	*	2/2001	Lo	D26/60
D498,322	S	*	11/2004	Schnell	D26/60
D529,651	S	*	10/2006	Chan	D26/60
D544,124	S	*	6/2007	Chan	D26/60
D635,706	S	*	4/2011	Hodgson	D26/60

* cited by examiner

Primary Examiner — Susan M Lee

Assistant Examiner — Linda G. Brooks

(74) *Attorney, Agent, or Firm* — Charles E. Baxley

(57) **CLAIM**

The ornamental design for a clamp lamp, as shown.

DESCRIPTION

FIG. 1 is a perspective view of a clamp lamp showing my new design;

FIG. 2 is a front view thereof;

FIG. 3 is a rear view thereof;

FIG. 4 is a left side view thereof;

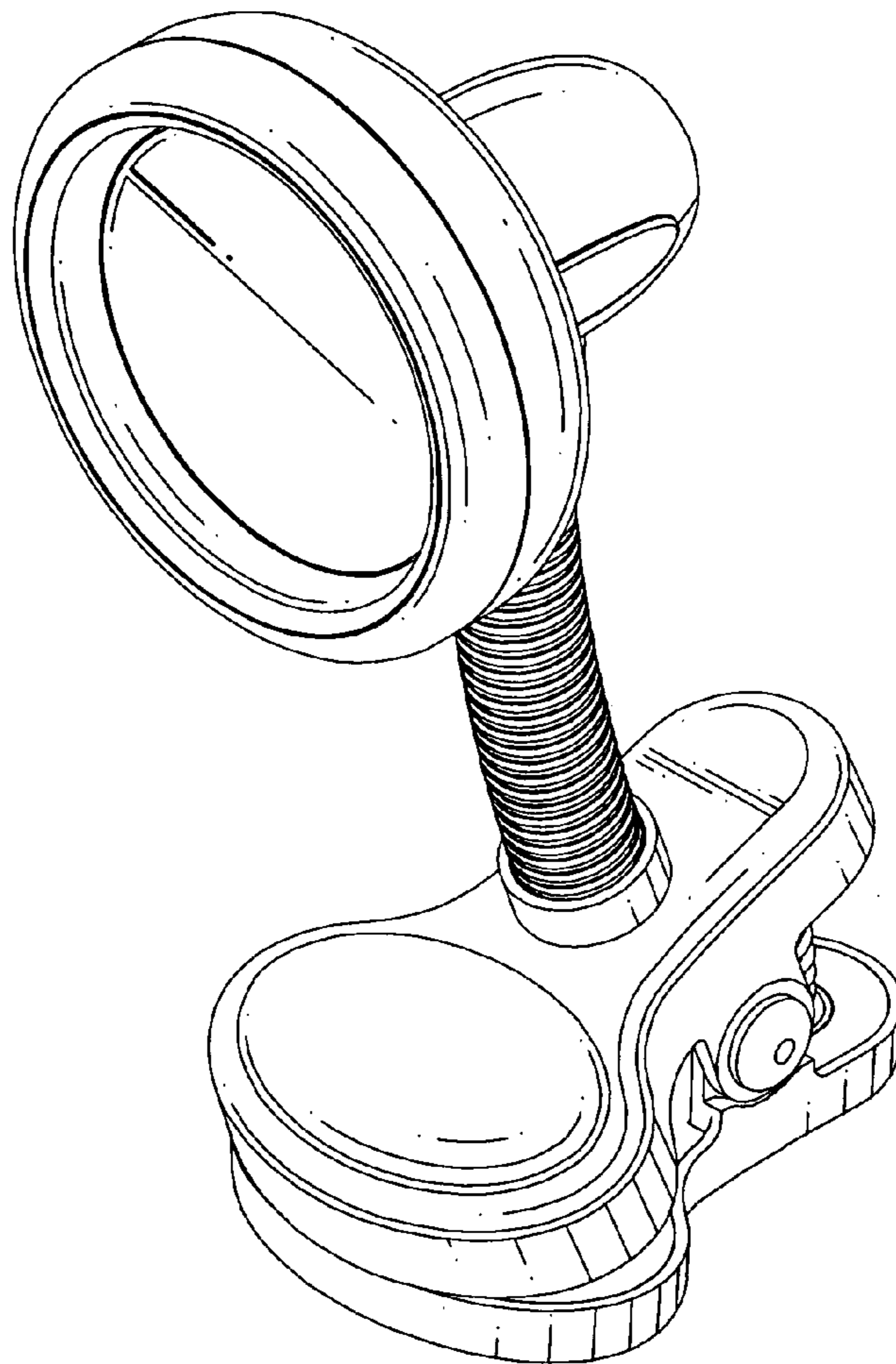
FIG. 5 is a right side view thereof;

FIG. 6 is a top view thereof;

FIG. 7 is a bottom view thereof; and,

FIG. 8 is another perspective view thereof.

1 Claim, 8 Drawing Sheets



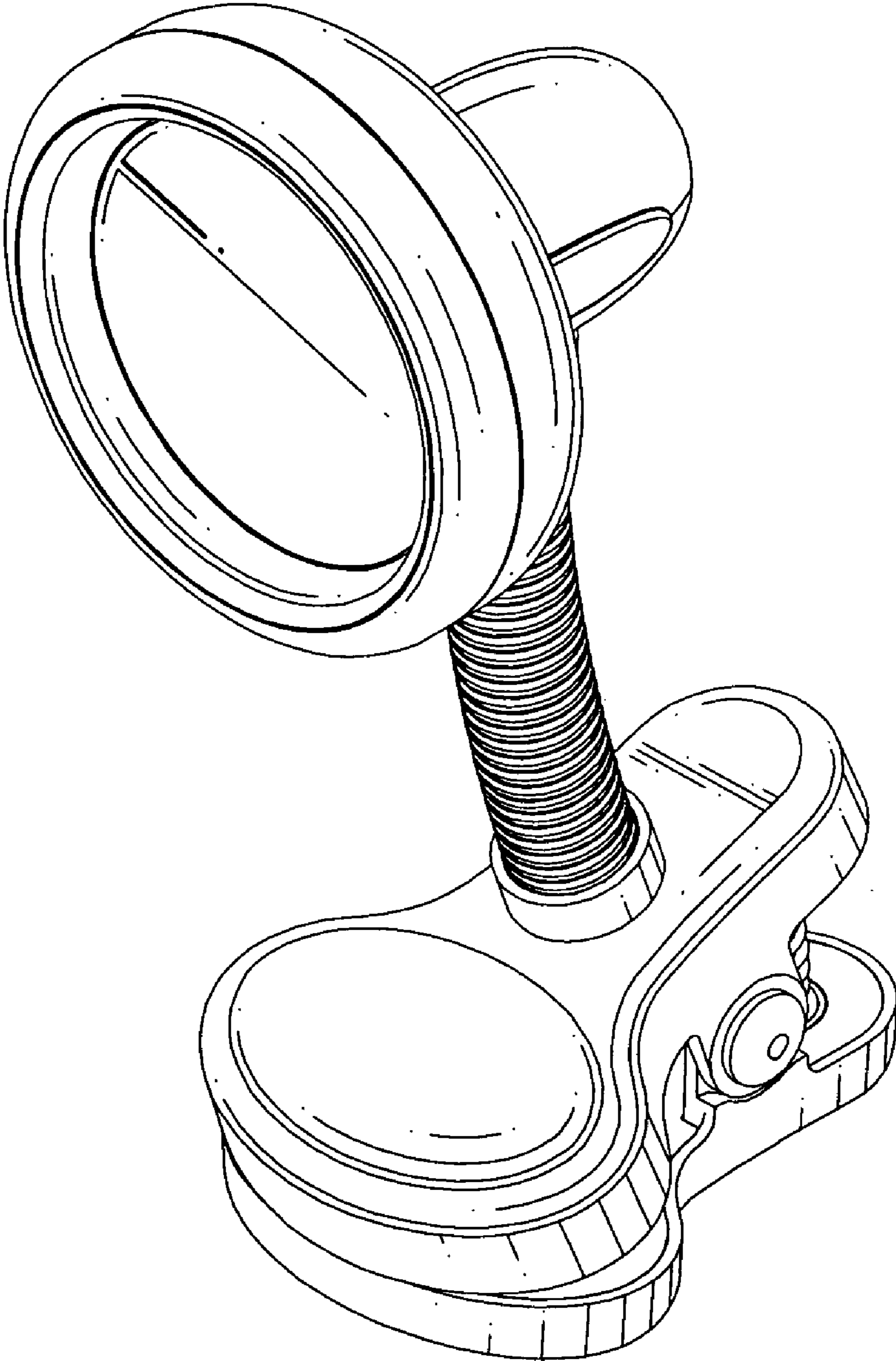


FIG.1

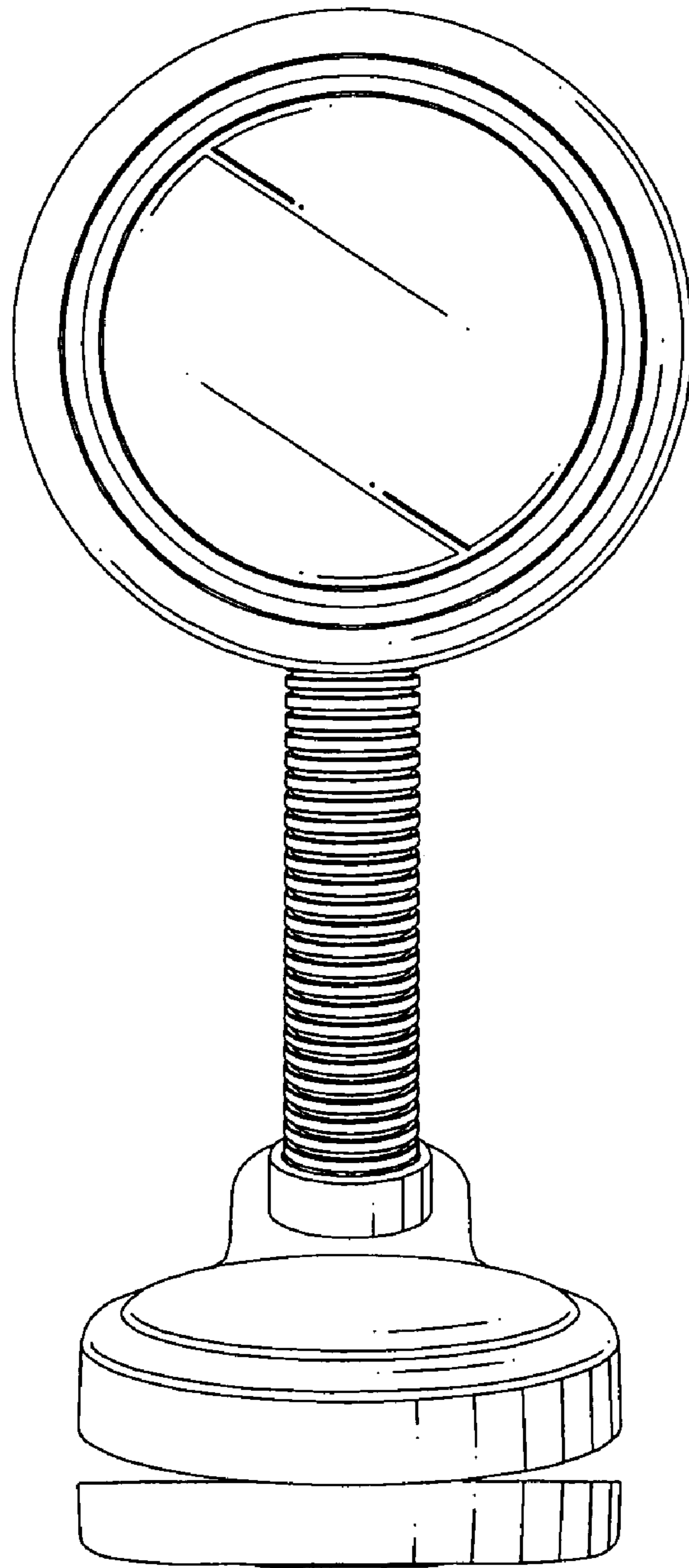


FIG.2

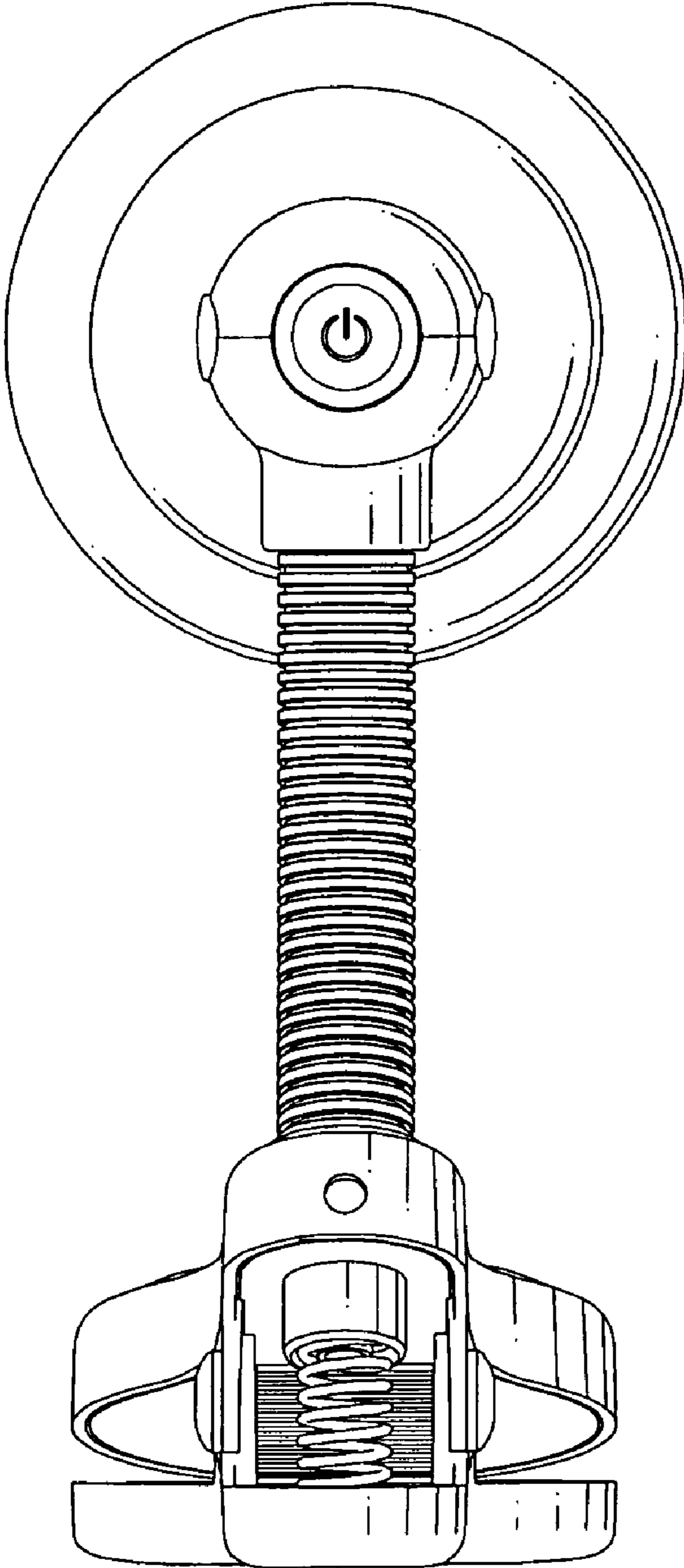


FIG.3

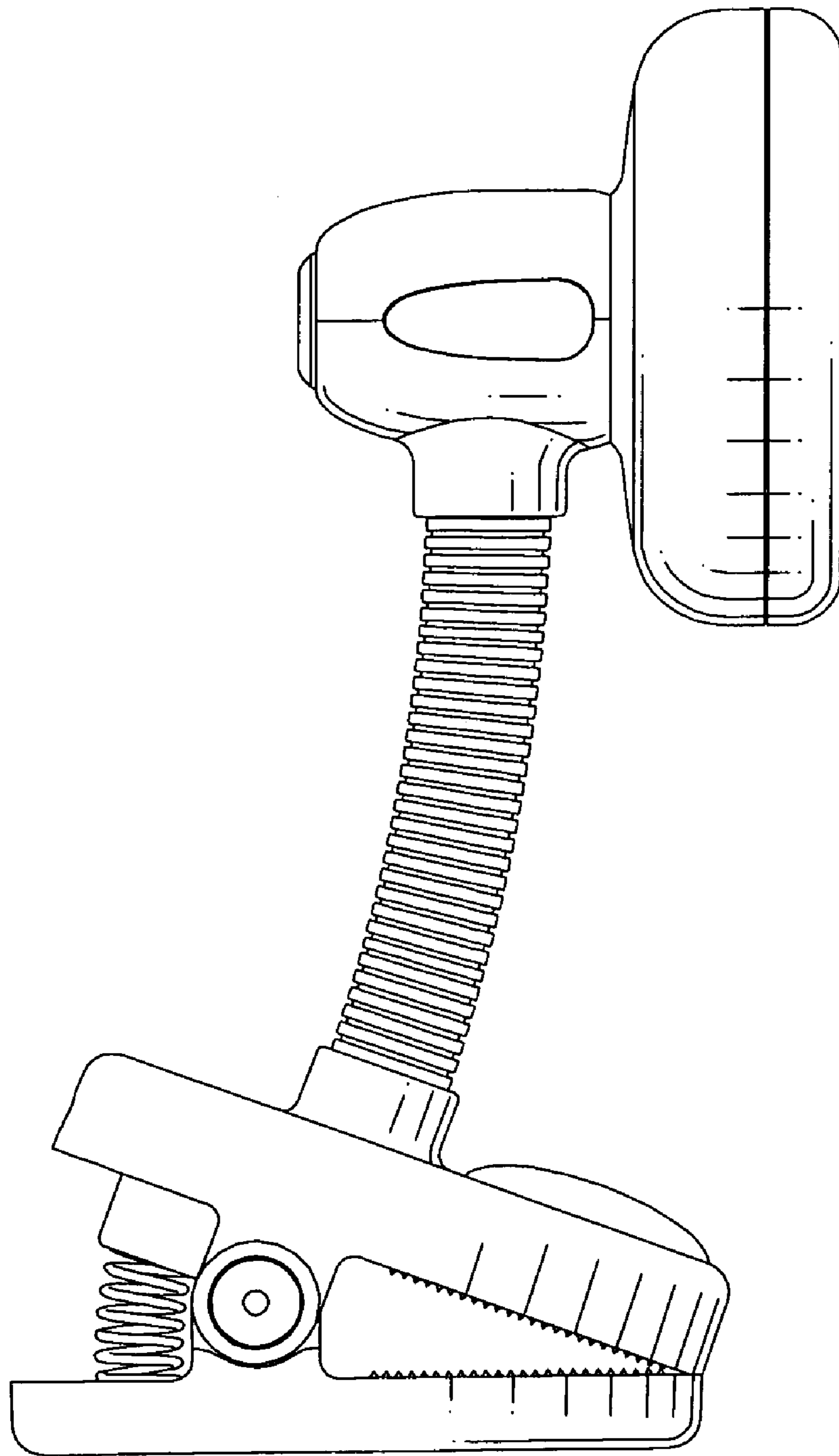


FIG.4

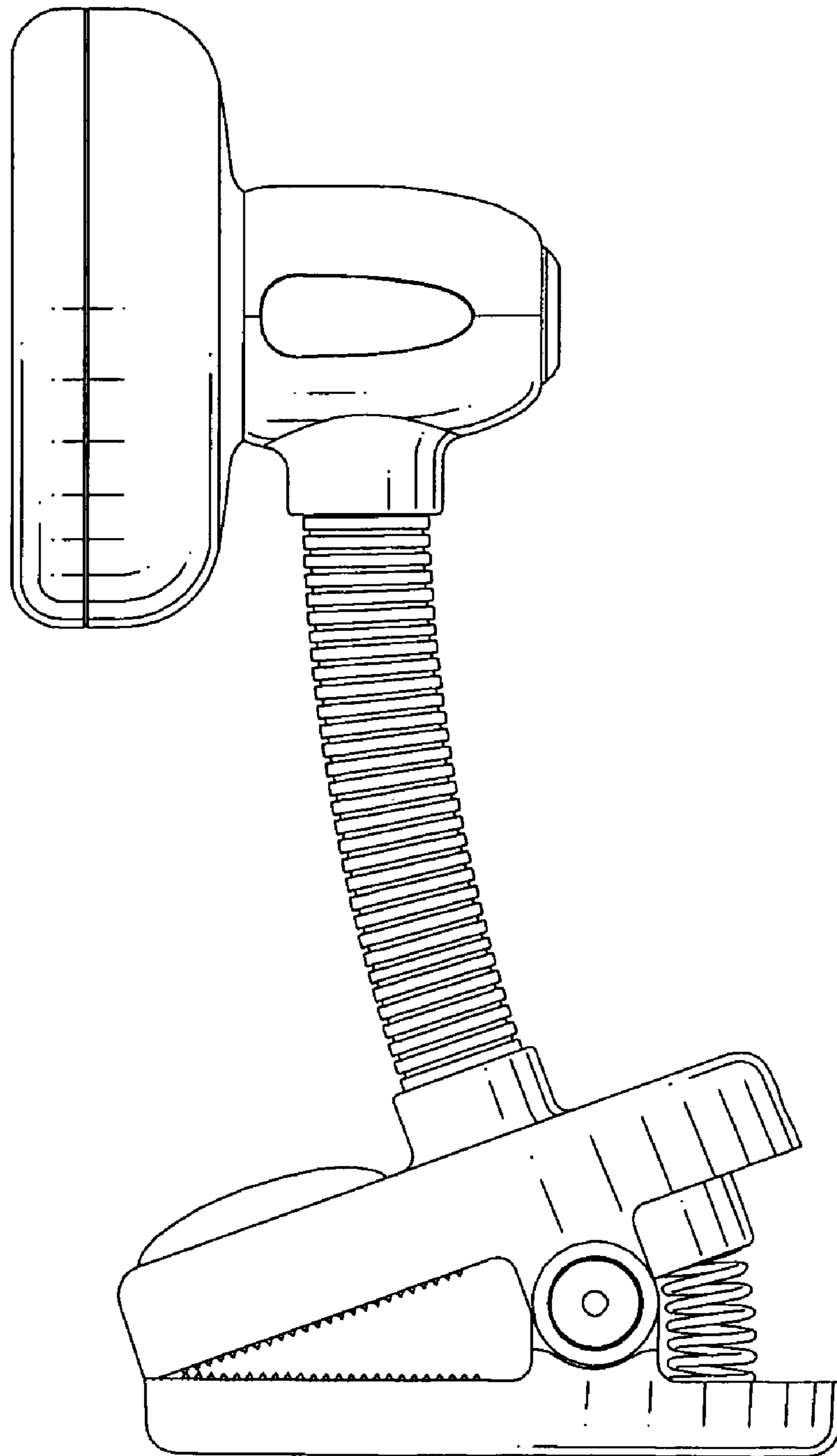


FIG.5

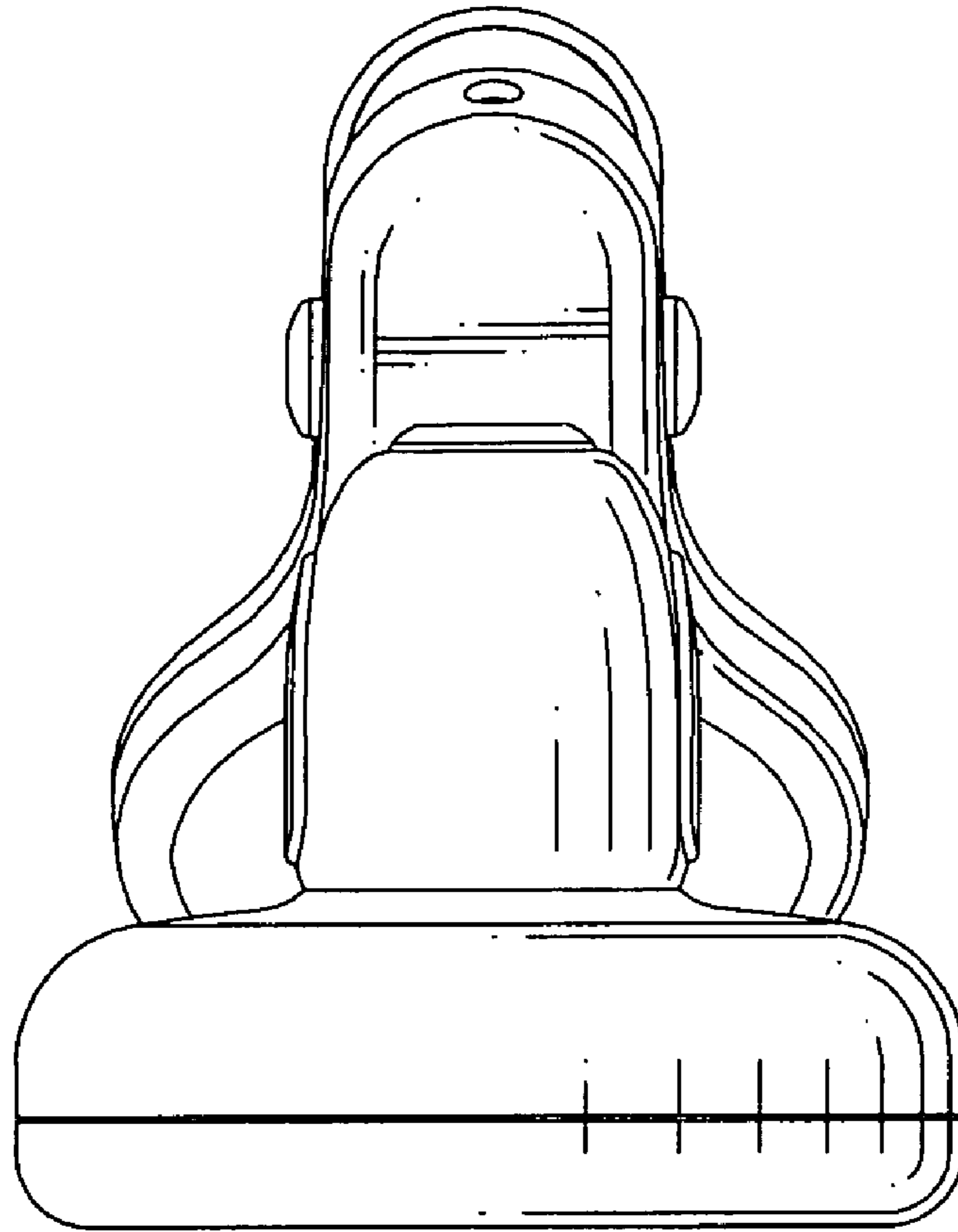


FIG.6

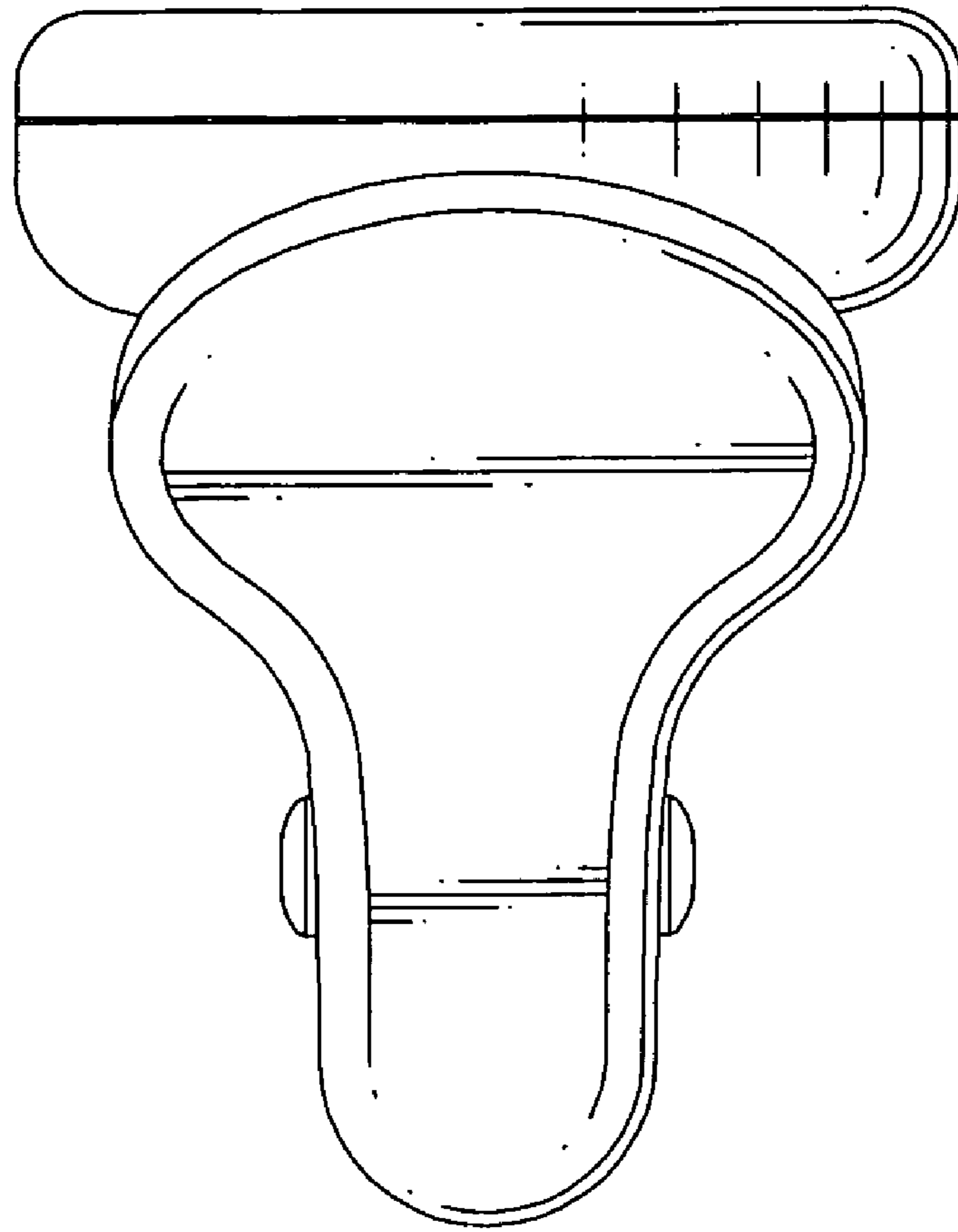


FIG. 7

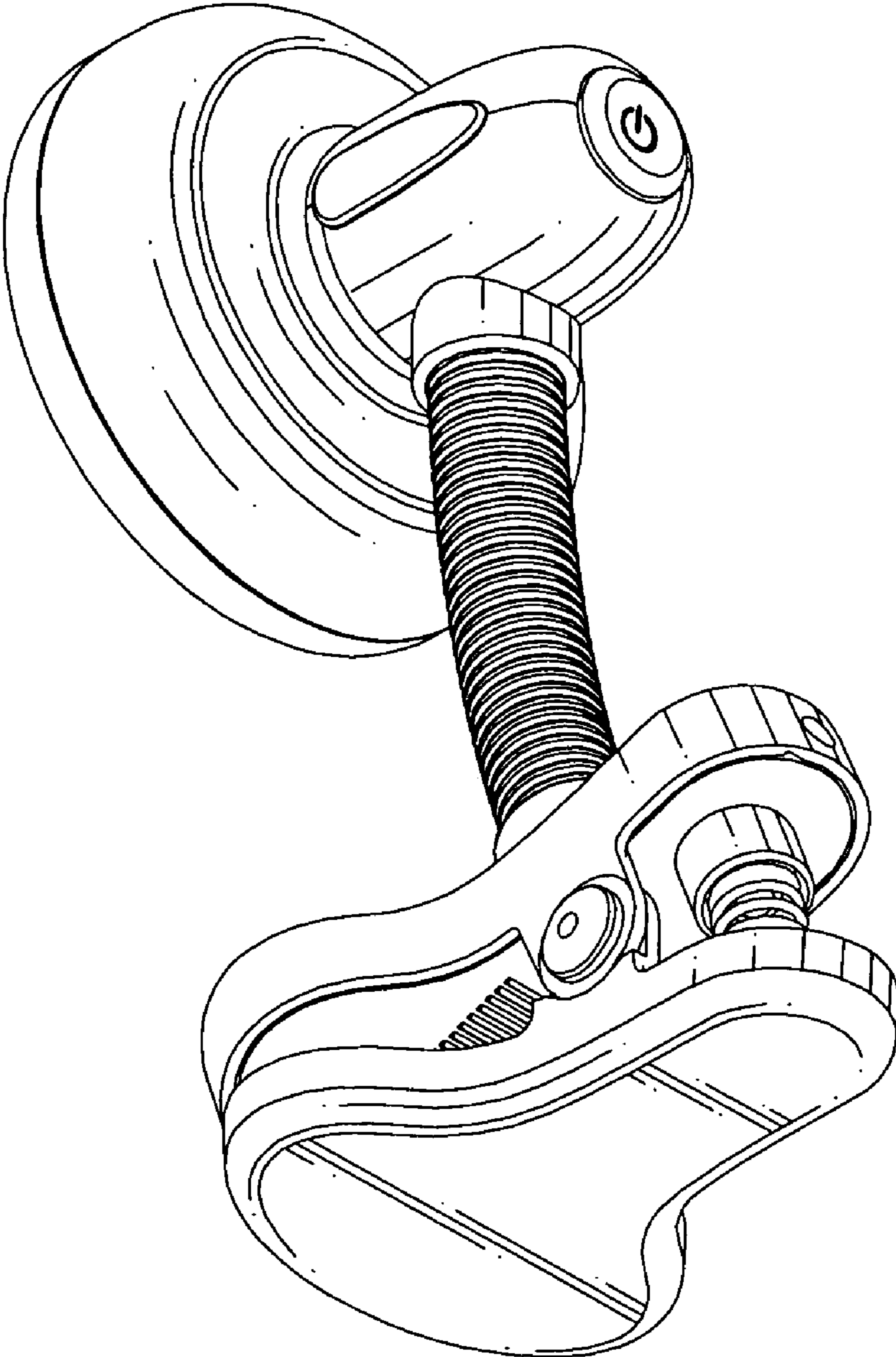


FIG.8