



US00D670843S

(12) **United States Design Patent**
von Waldthausen

(10) **Patent No.:** **US D670,843 S**

(45) **Date of Patent:** **** Nov. 13, 2012**

(54) **FLASHLIGHT**

(75) Inventor: **Daniel von Waldthausen**, Berlin (DE)

(73) Assignee: **Osram AG**, Munich (DE)

(**) Term: **14 Years**

(21) Appl. No.: **29/408,755**

(22) Filed: **Dec. 16, 2011**

(30) **Foreign Application Priority Data**

Jul. 1, 2011 (EM) 001885625

(51) **LOC (9) Cl.** **26-02**

(52) **U.S. Cl.** **D26/37; D26/60**

(58) **Field of Classification Search** D26/37,
D26/46, 49, 38, 51, 60, 39; 362/157, 158,
362/183, 184, 194-196, 198, 200-208, 103,
362/105, 10

See application file for complete search history.

(56) **References Cited**

U.S. PATENT DOCUMENTS

D267,352 S * 12/1982 Suzuki D26/118
D267,980 S * 2/1983 Gibstein et al. D26/37
D361,633 S * 8/1995 Chabria D26/37
D395,720 S * 6/1998 Galli D26/37
D396,120 S * 7/1998 Petruzzi D26/37

6,497,495 B1 * 12/2002 Janz 362/194
D524,469 S * 7/2006 Pitot et al. D26/37
D524,974 S * 7/2006 Zernov D26/60
D552,277 S * 10/2007 Chue D26/37
D580,078 S * 11/2008 Lee D26/37
D580,573 S * 11/2008 Leslie et al. D26/37
D602,186 S * 10/2009 Lee D26/37
D609,377 S * 2/2010 Taiga D26/60
D633,239 S * 2/2011 Chen D26/41
D633,635 S * 3/2011 Poon D26/60
D638,964 S * 5/2011 Cappuccio D26/39
D639,494 S * 6/2011 Schrimmer D26/104
D648,470 S * 11/2011 Rains D26/60
D653,382 S * 1/2012 Sekowski et al. D26/118

* cited by examiner

Primary Examiner — Ian Simmons

Assistant Examiner — Carissa C Fitts

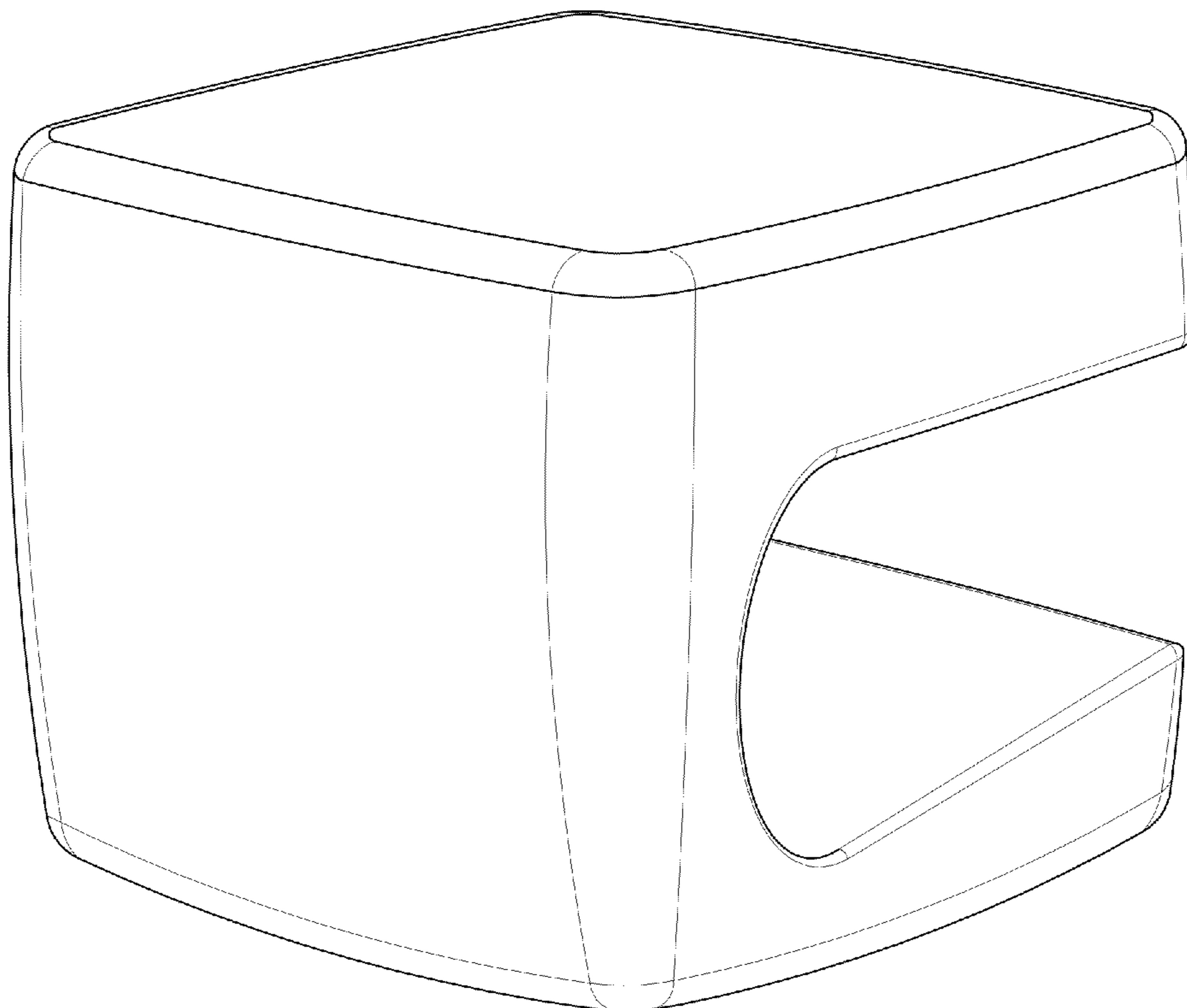
(57) **CLAIM**

The ornamental design for a flashlight, as shown and described.

DESCRIPTION

FIG. 1 is a perspective view of a flashlight;
FIG. 2 is a first side view of the flashlight;
FIG. 3 is a second side view of the flashlight;
FIG. 4 is a back view of the flashlight;
FIG. 5 is a front view of the flashlight;
FIG. 6 is a bottom view of the flashlight; and,
FIG. 7 is a top view of the flashlight.

1 Claim, 7 Drawing Sheets



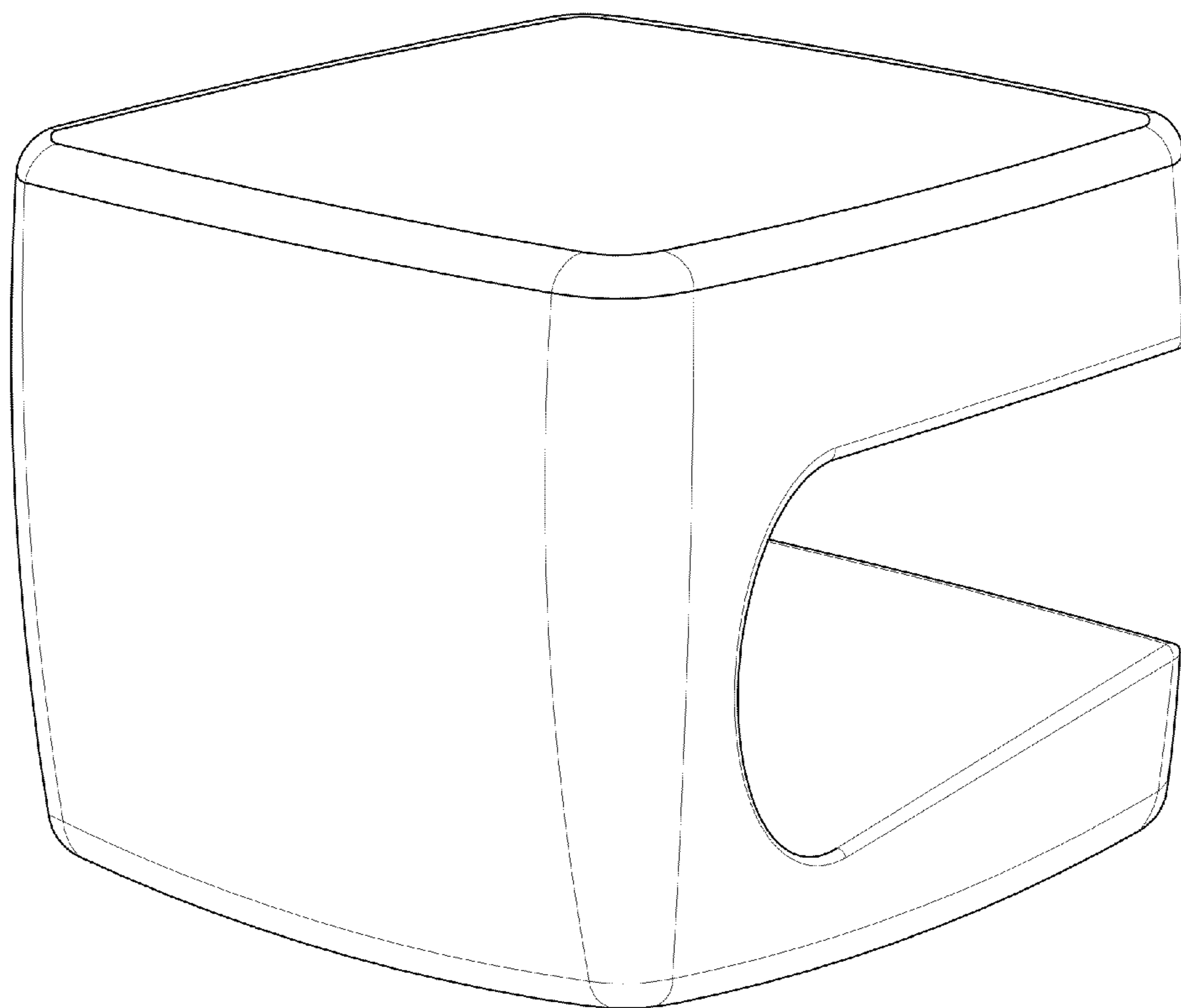


Fig. 1

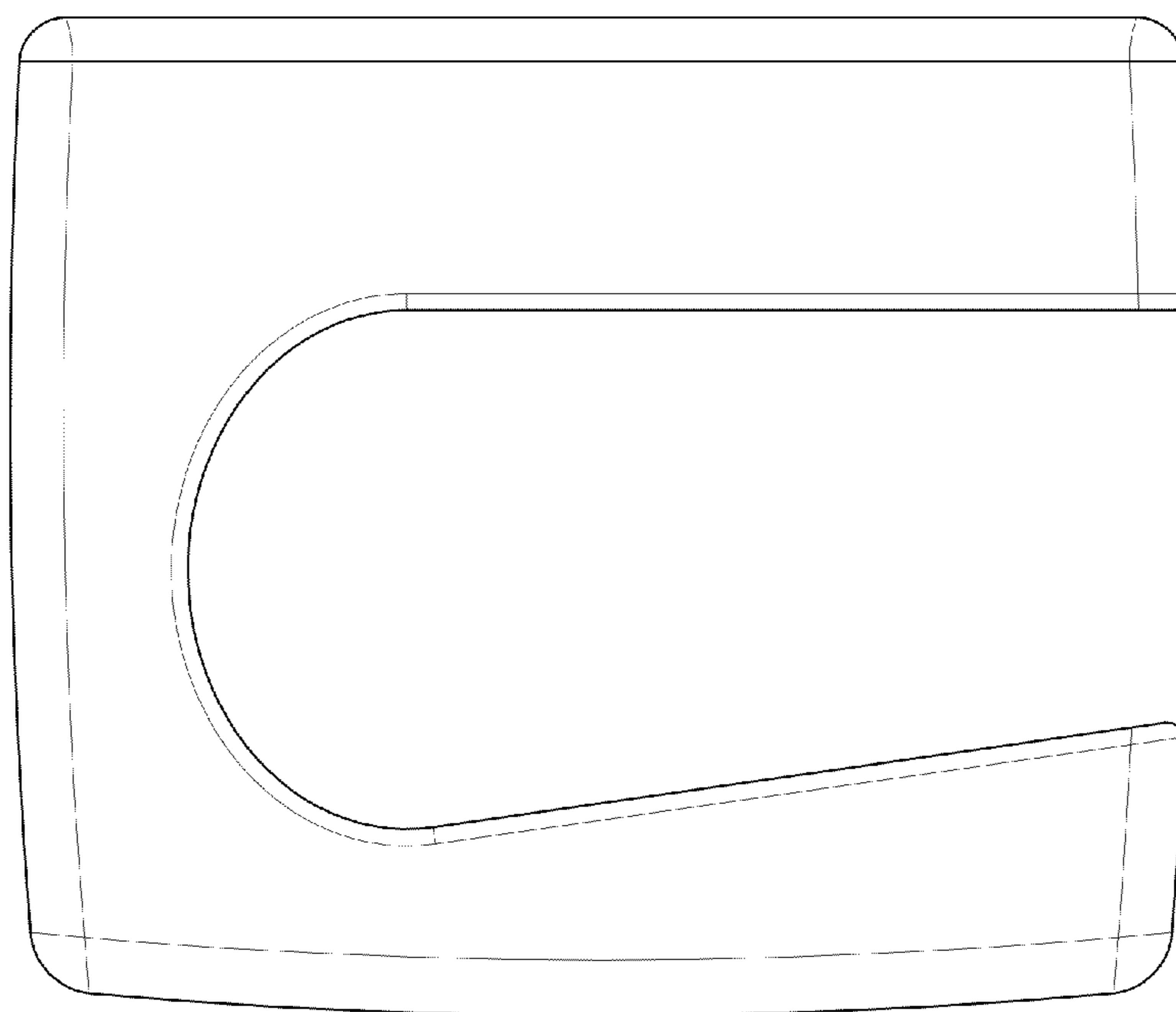


Fig. 2

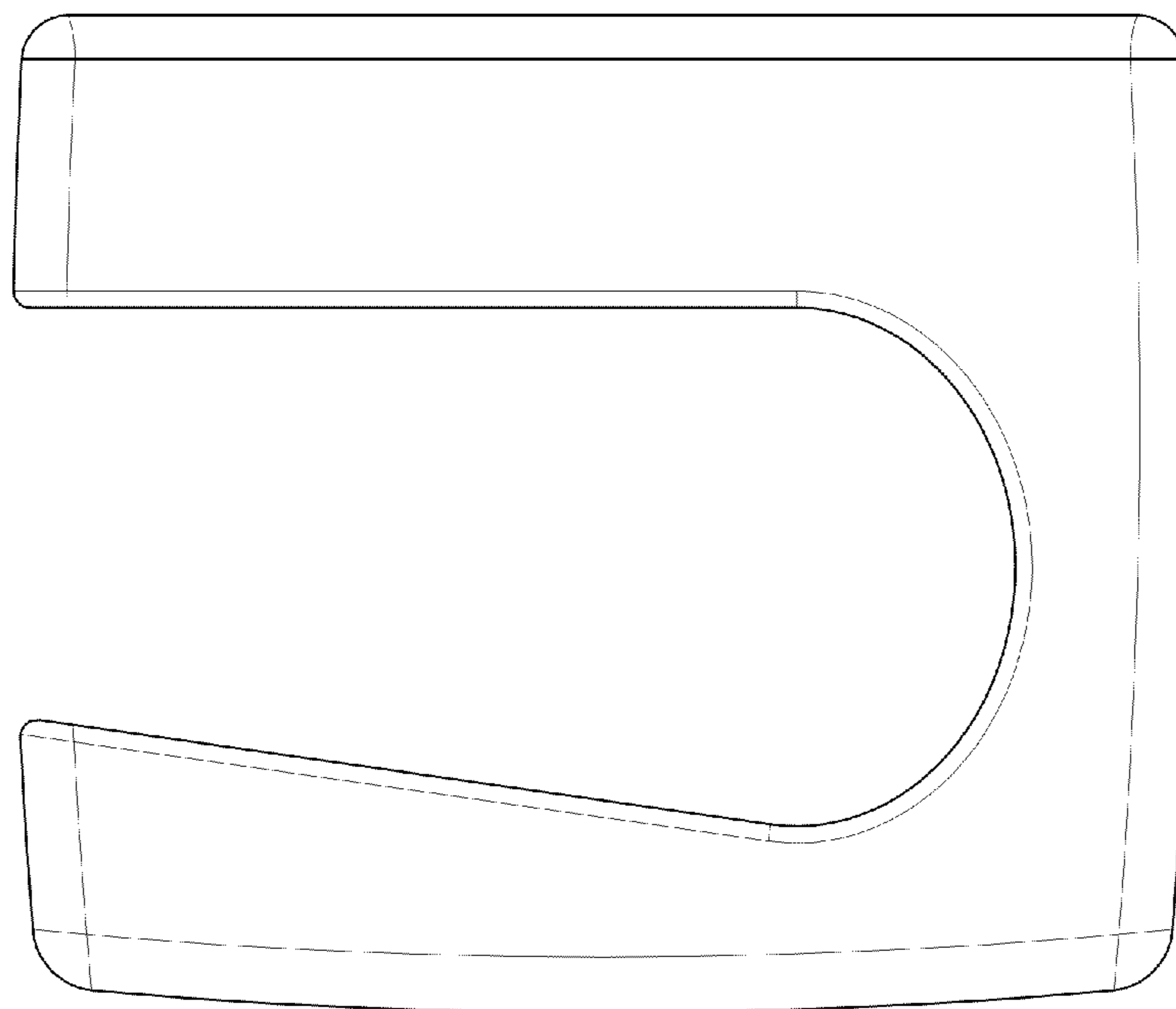


Fig. 3

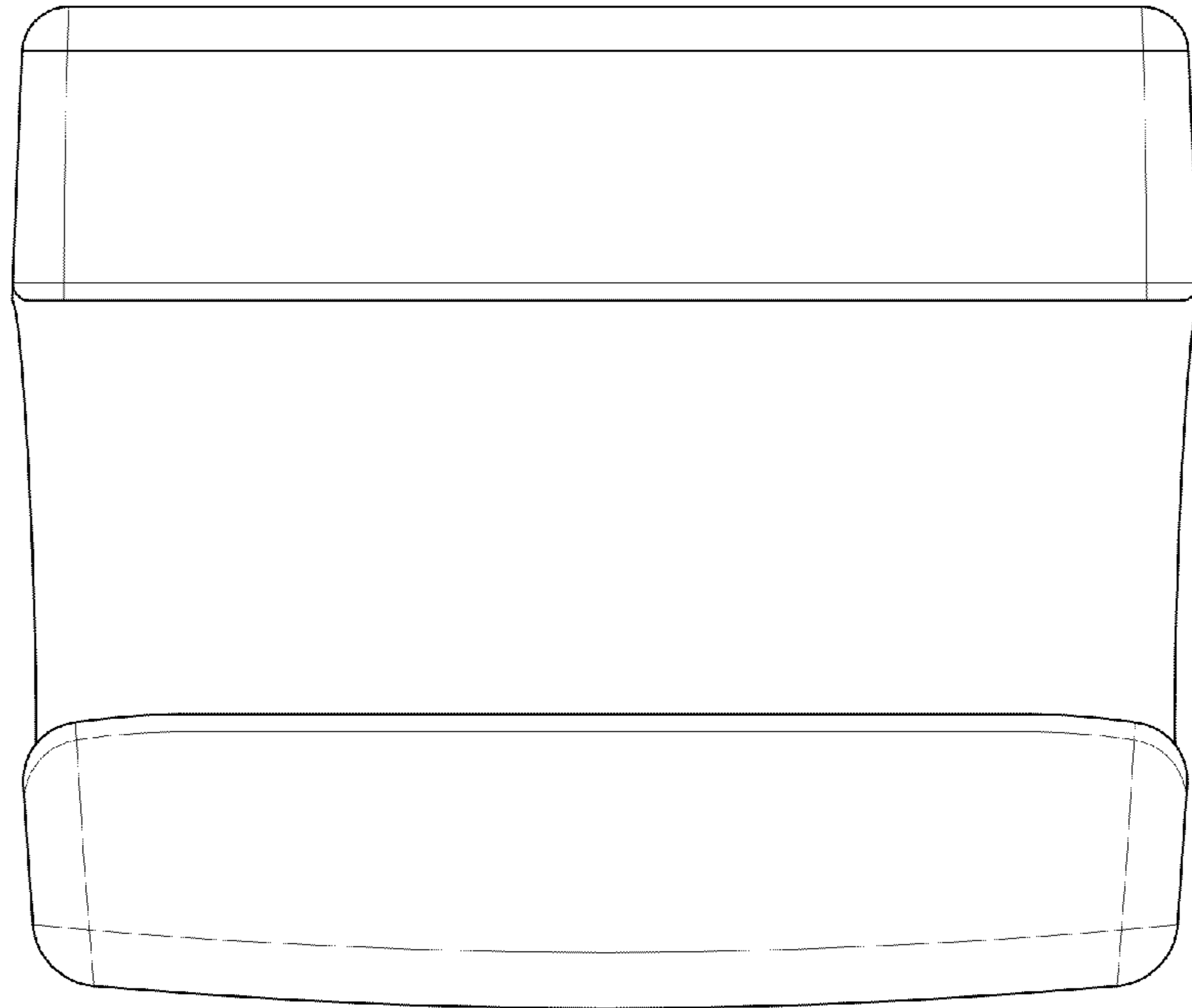


Fig. 4

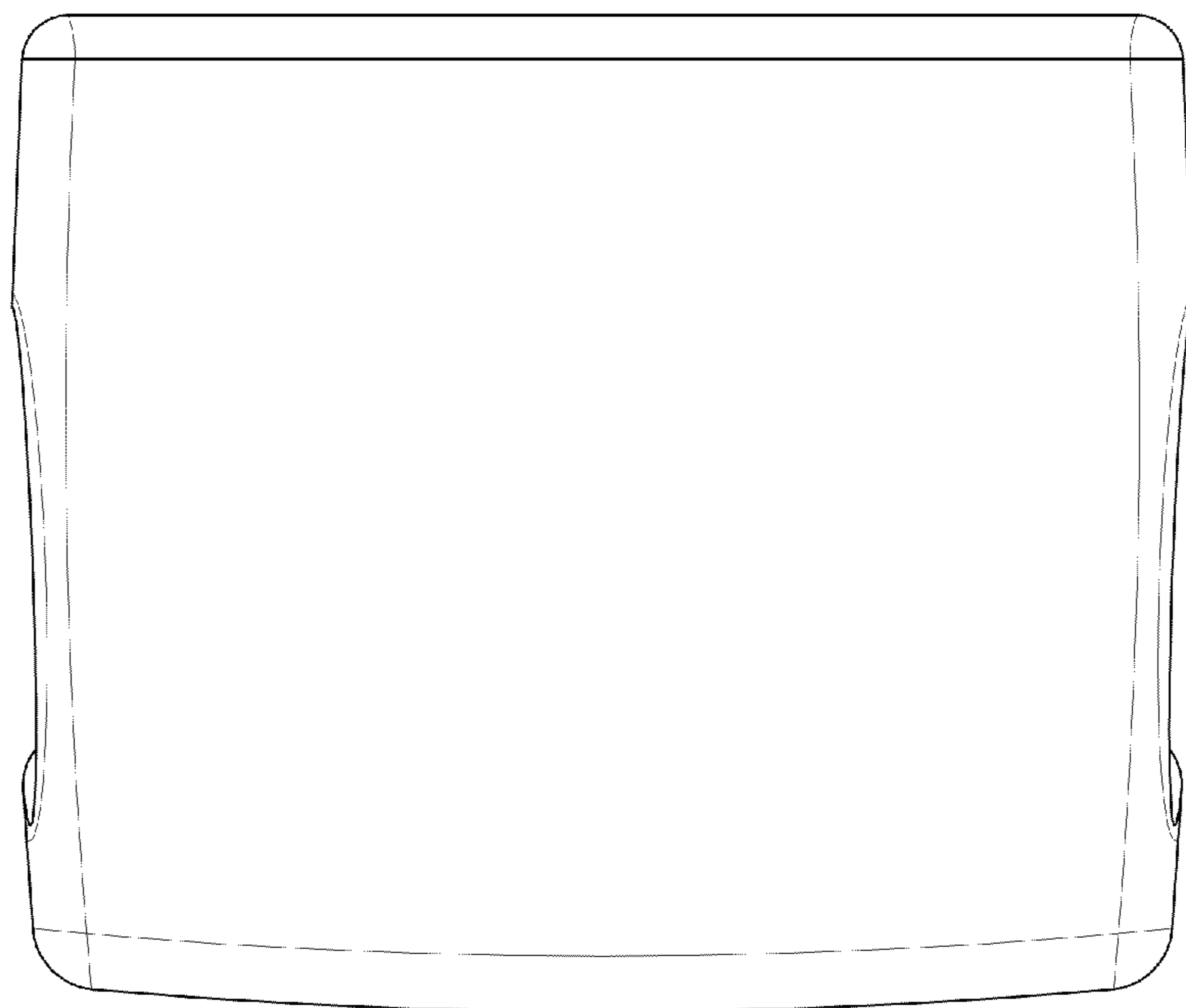


Fig. 5

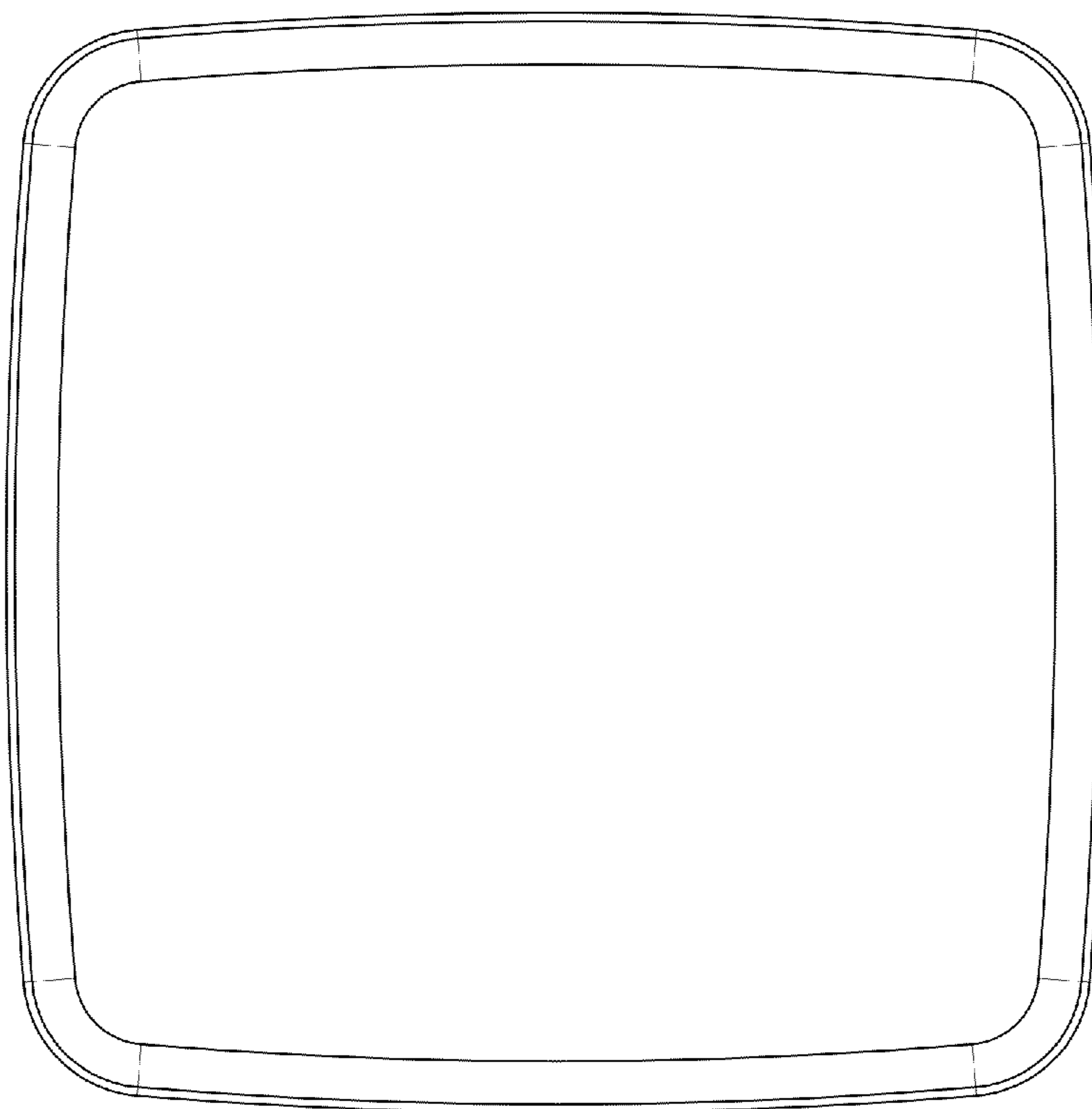


Fig. 6

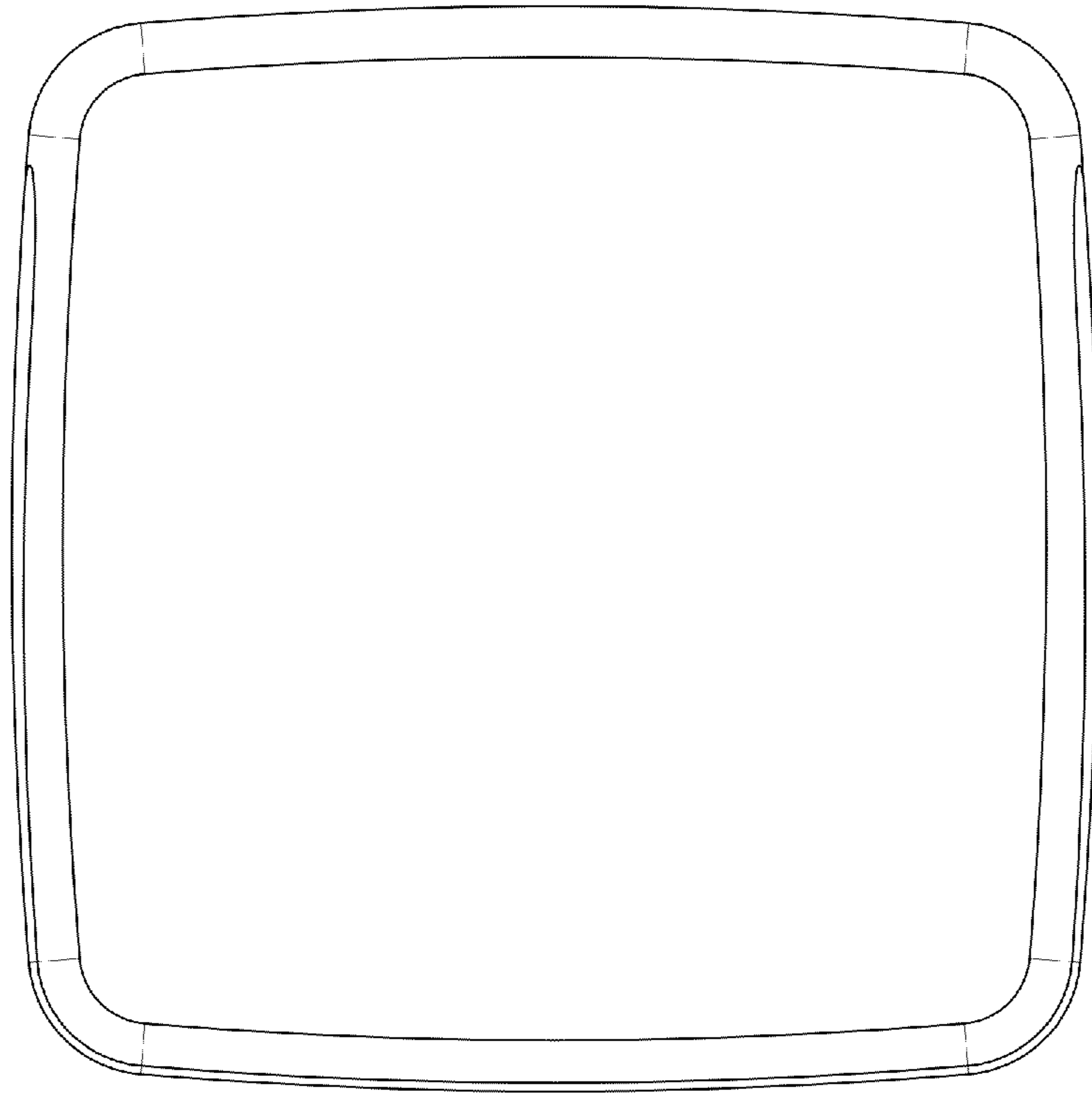


Fig. 7