



US00D670842S

(12) **United States Design Patent**  
**Fuchigami et al.**

(10) **Patent No.:** **US D670,842 S**  
(45) **Date of Patent:** **\*\* Nov. 13, 2012**

(54) **REAR COMBINATION LAMP FOR AN  
AUTOMOBILE**

(75) Inventors: **Hideyuki Fuchigami**, Kanagawa-ken  
(JP); **Hisatugu Hirabayashi**,  
Kanagawa-ken (JP)

(73) Assignee: **Nissan Motor Co., Ltd.**, Kanagawa (JP)

(\*\*) Term: **14 Years**

(21) Appl. No.: **29/414,179**

(22) Filed: **Feb. 24, 2012**

(30) **Foreign Application Priority Data**

Feb. 1, 2012 (JP) ..... 2012-001994

(51) **LOC (9) Cl.** ..... **26-06**

(52) **U.S. Cl.** ..... **D26/28**

(58) **Field of Classification Search** ..... D26/28-36;  
362/459-468, 475-478, 485-487

See application file for complete search history.

(56) **References Cited**

U.S. PATENT DOCUMENTS

D549,363 S \* 8/2007 Pfeiffer ..... D26/28  
D552,769 S \* 10/2007 Leclercq ..... D26/28  
D570,015 S \* 5/2008 Hsu ..... D26/28  
D574,524 S \* 8/2008 Tomatsu ..... D26/28

\* cited by examiner

*Primary Examiner* — Marcus Jackson

(74) *Attorney, Agent, or Firm* — Fross Zelnick Lehrman &  
Zissu, P.C.; Lawrence E. Apolzon, Esq.

(57) **CLAIM**

The ornamental design for a rear combination lamp for an  
automobile, as shown and described.

**DESCRIPTION**

FIG. 1 is a perspective view of a rear combination lamp for an  
automobile showing our new design;  
FIG. 2 is a front view thereof;  
FIG. 3 is a left side view thereof; and,  
FIG. 4 is a top view thereof.

**1 Claim, 2 Drawing Sheets**





FIG. 1

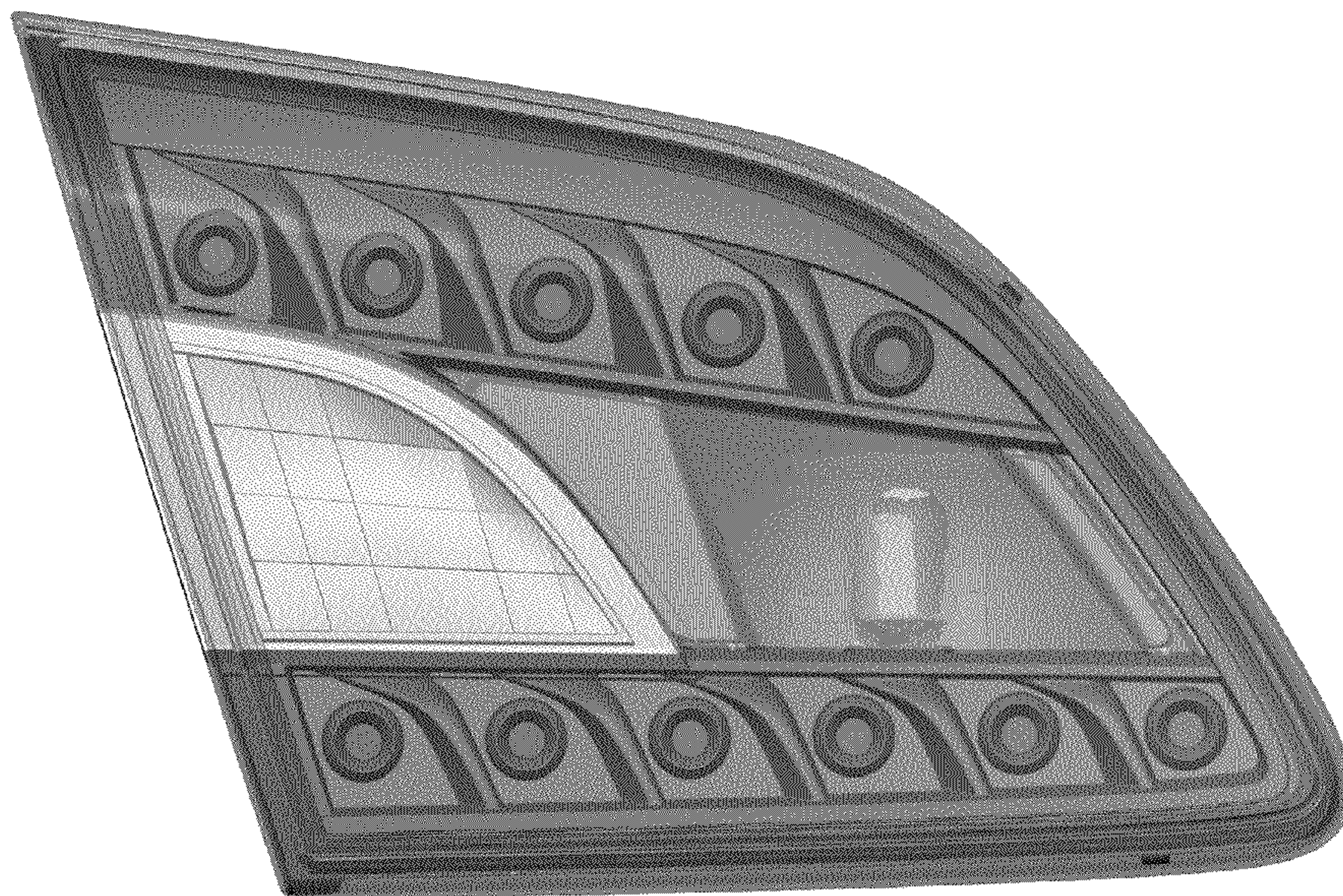
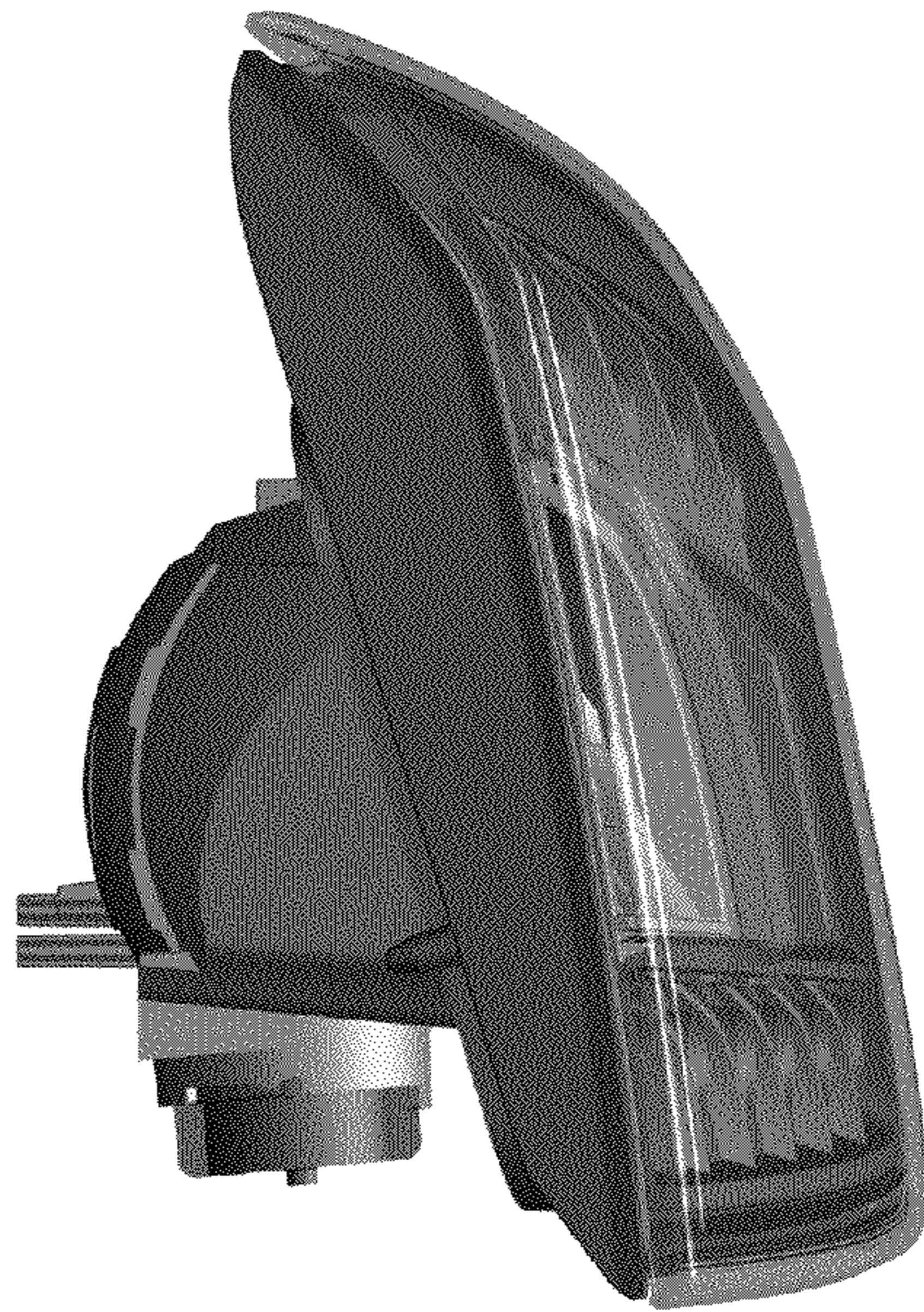
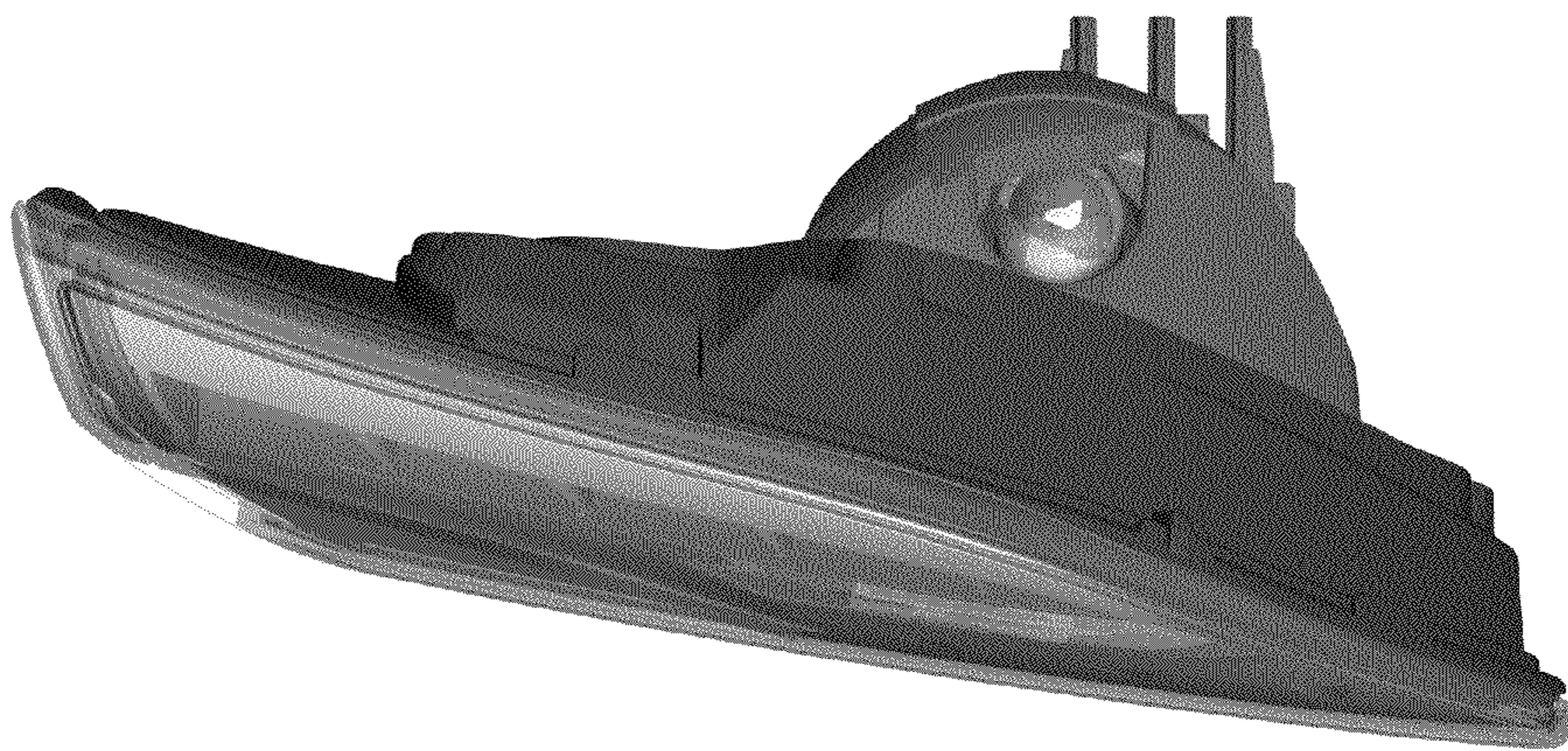


FIG. 2



*FIG. 3*



*FIG. 4*