



US00D670838S

(12) **United States Design Patent**
Ueda et al.

(10) **Patent No.:** **US D670,838 S**
(45) **Date of Patent:** **** Nov. 13, 2012**

(54) **HEADLAMP FOR A BICYCLE**

(75) Inventors: **Takashi Ueda**, Osaka (JP); **Yoji Okuda**,
Osaka (JP)

(73) Assignee: **Cateye Co., Ltd.**, Osaka (JP)

(**) Term: **14 Years**

(21) Appl. No.: **29/374,503**

(22) Filed: **Aug. 23, 2011**

(30) **Foreign Application Priority Data**

Mar. 11, 2011 (JP) 2011-005596

(51) **LOC (9) Cl.** **26-06**

(52) **U.S. Cl.** **D26/28; D26/60**

(58) **Field of Classification Search** D26/60,
D26/63, 28-37; 362/196, 473-477, 486,
362/459, 460, 464, 465, 183, 186, 187, 188,
362/189, 191, 194, 195, 197, 198, 199, 202,
362/205, 508, 512, 523, 200, 396

See application file for complete search history.

(56) **References Cited**

U.S. PATENT DOCUMENTS

D540,966	S	*	4/2007	Ueda et al.	D26/28
D541,447	S	*	4/2007	Ueda et al.	D26/28
D560,833	S	*	1/2008	Ueda et al.	D26/28
D560,834	S	*	1/2008	Nagano	D26/28
D601,733	S	*	10/2009	Nagano	D26/37
D605,790	S	*	12/2009	Hsing-Tsun	D26/28
D629,538	S	*	12/2010	Nagano	D26/28

* cited by examiner

Primary Examiner — Susan M Lee

Assistant Examiner — Linda G. Brooks

(74) *Attorney, Agent, or Firm* — Olson & Cerpuritis, Ltd.

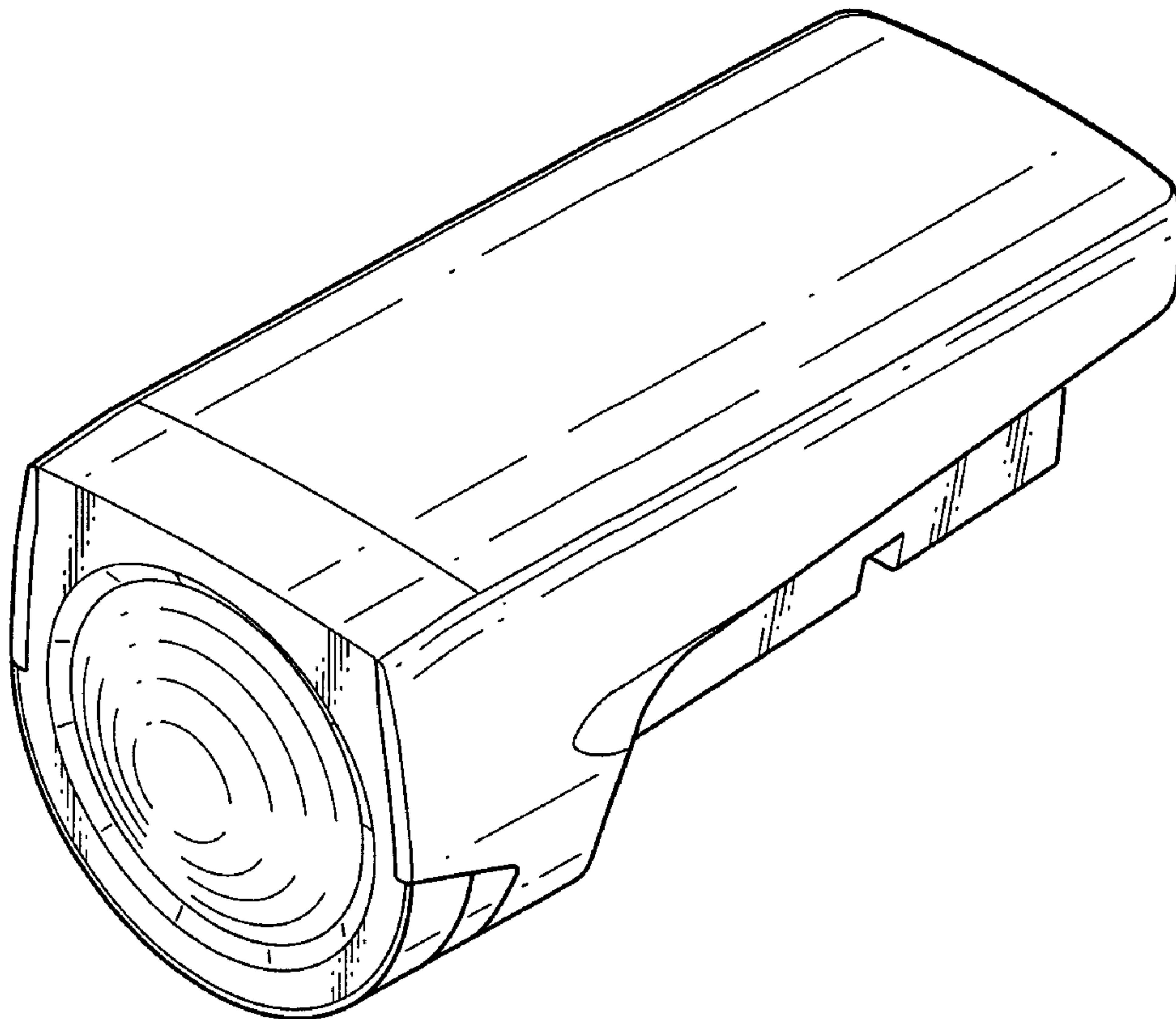
(57) **CLAIM**

The ornamental design for a headlamp for a bicycle, as shown.

DESCRIPTION

FIG. 1 is a perspective view of a headlamp for a bicycle showing our new design;
FIG. 2 is a front view thereof;
FIG. 3 is a rear view thereof;
FIG. 4 is a top plan view thereof;
FIG. 5 is a bottom plan view thereof;
FIG. 6 is a right side view thereof; and,
FIG. 7 is a left side view thereof.

1 Claim, 4 Drawing Sheets



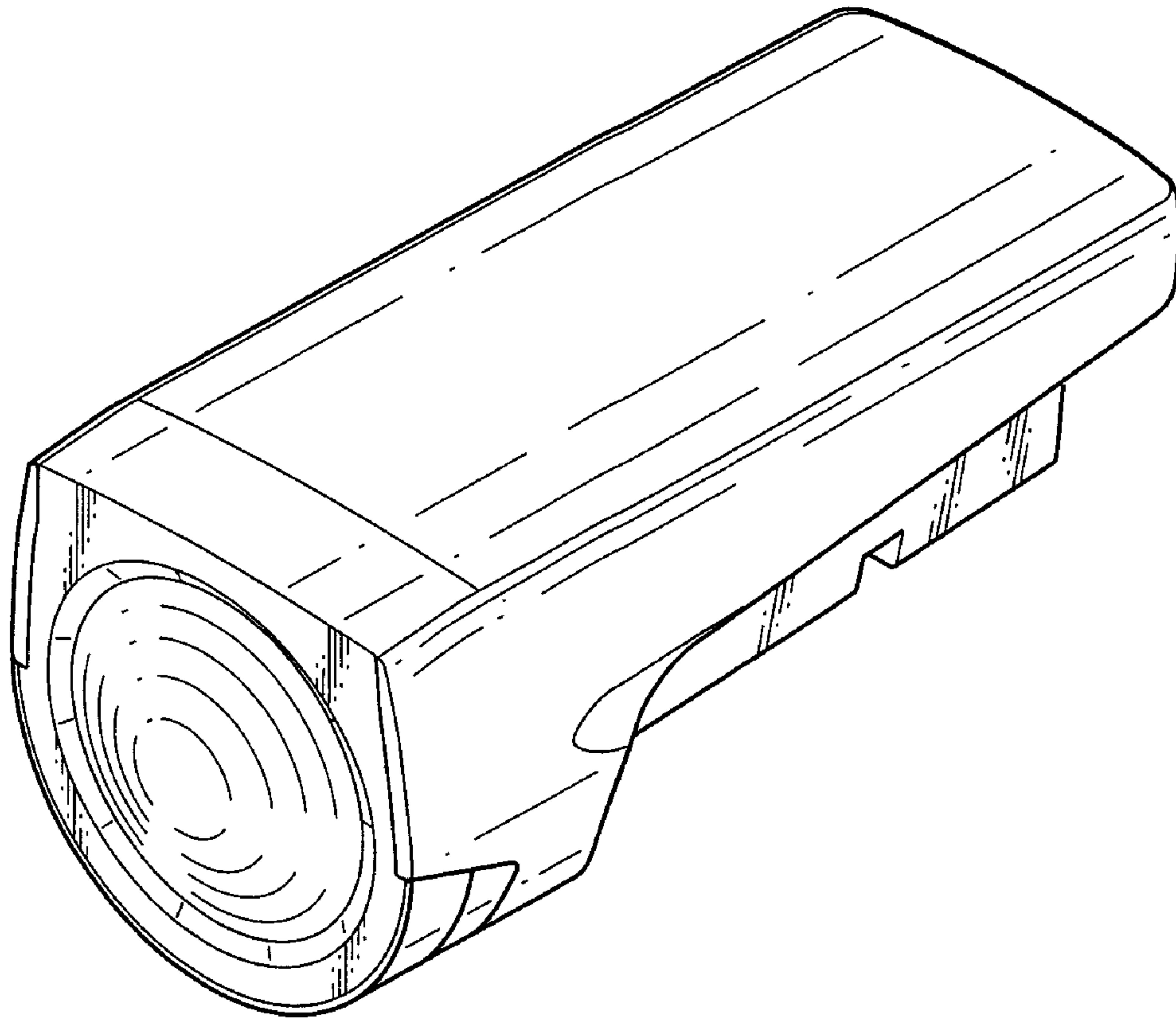


Fig. 1

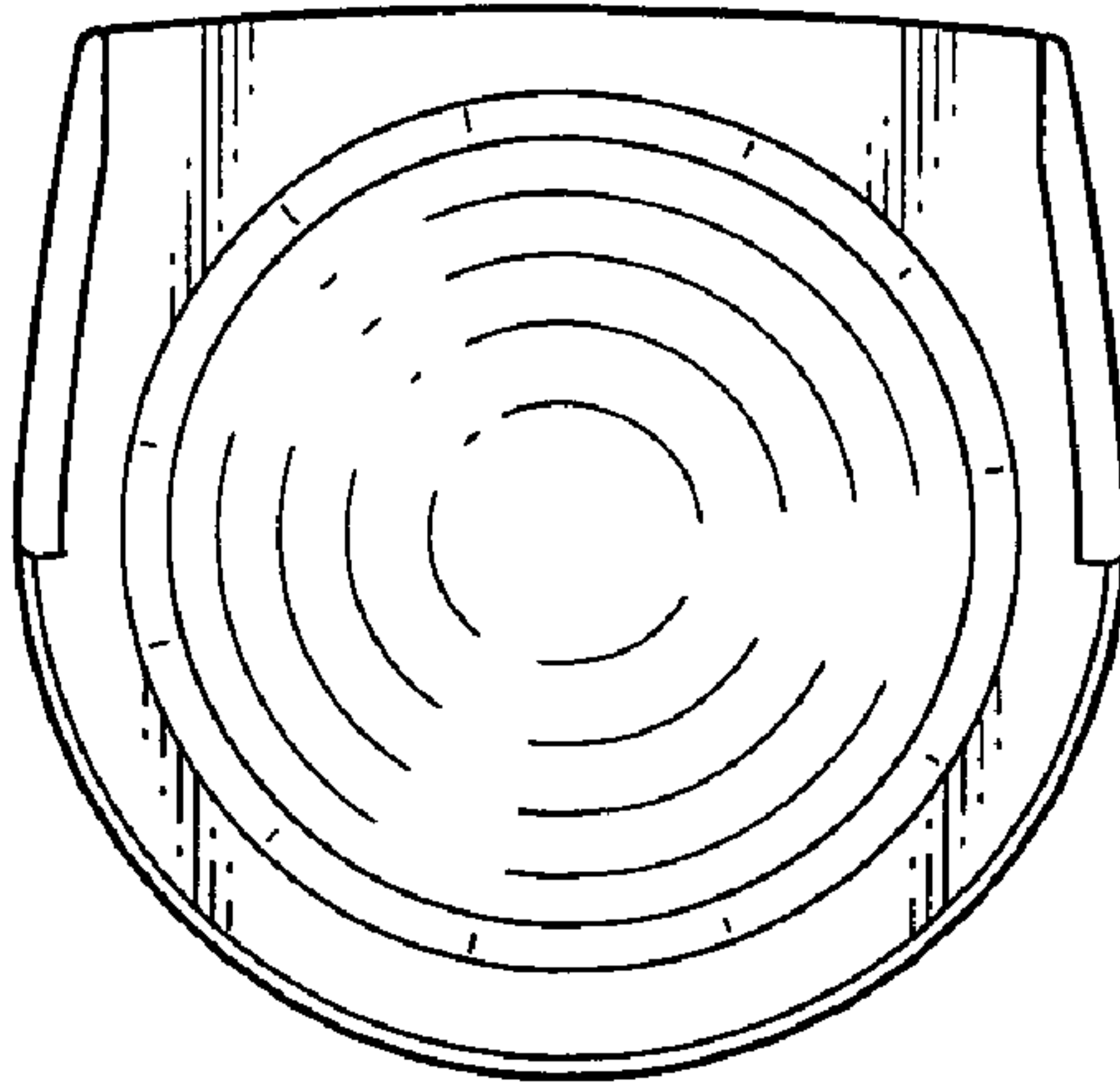


Fig. 2

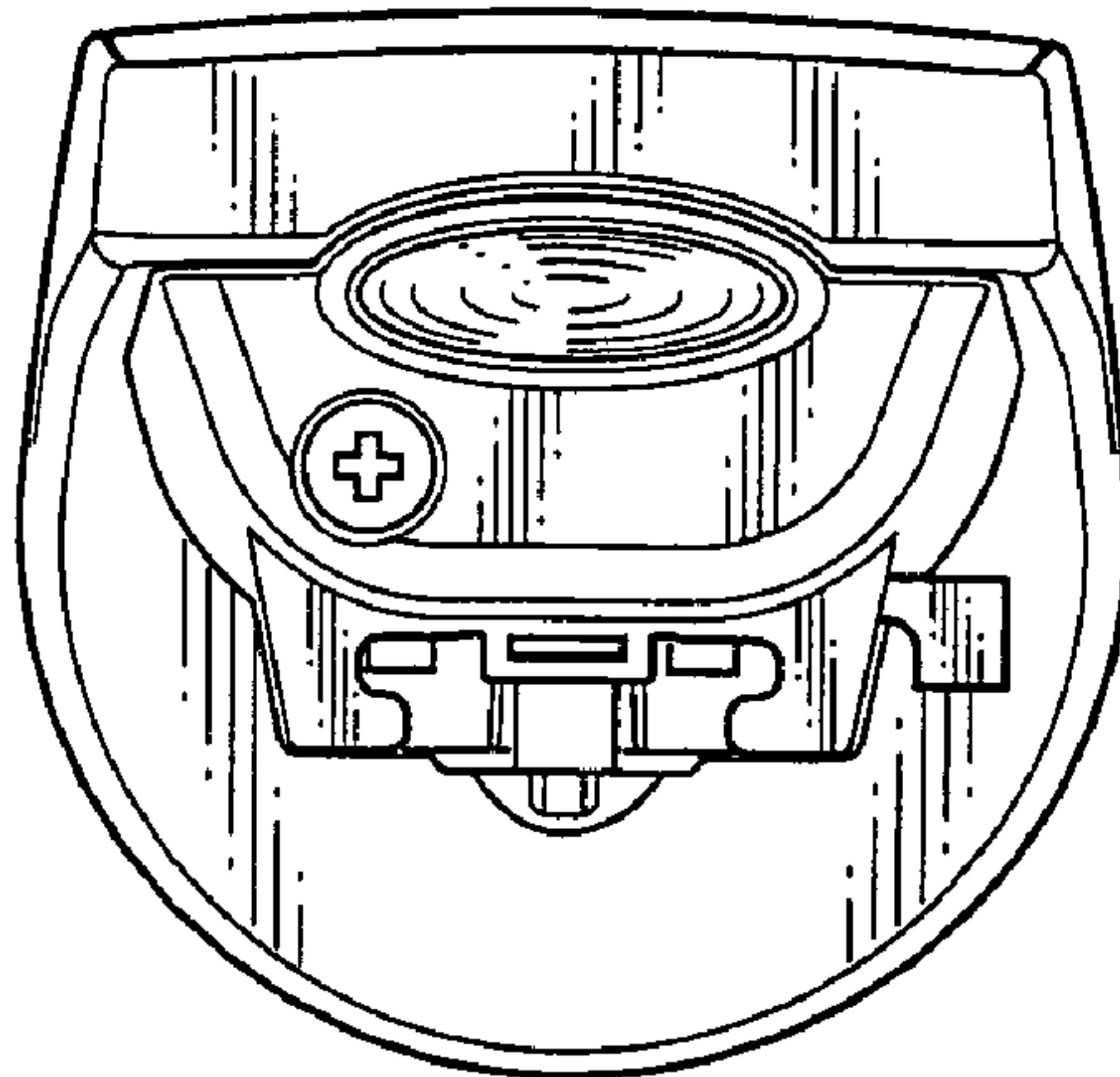


Fig. 3

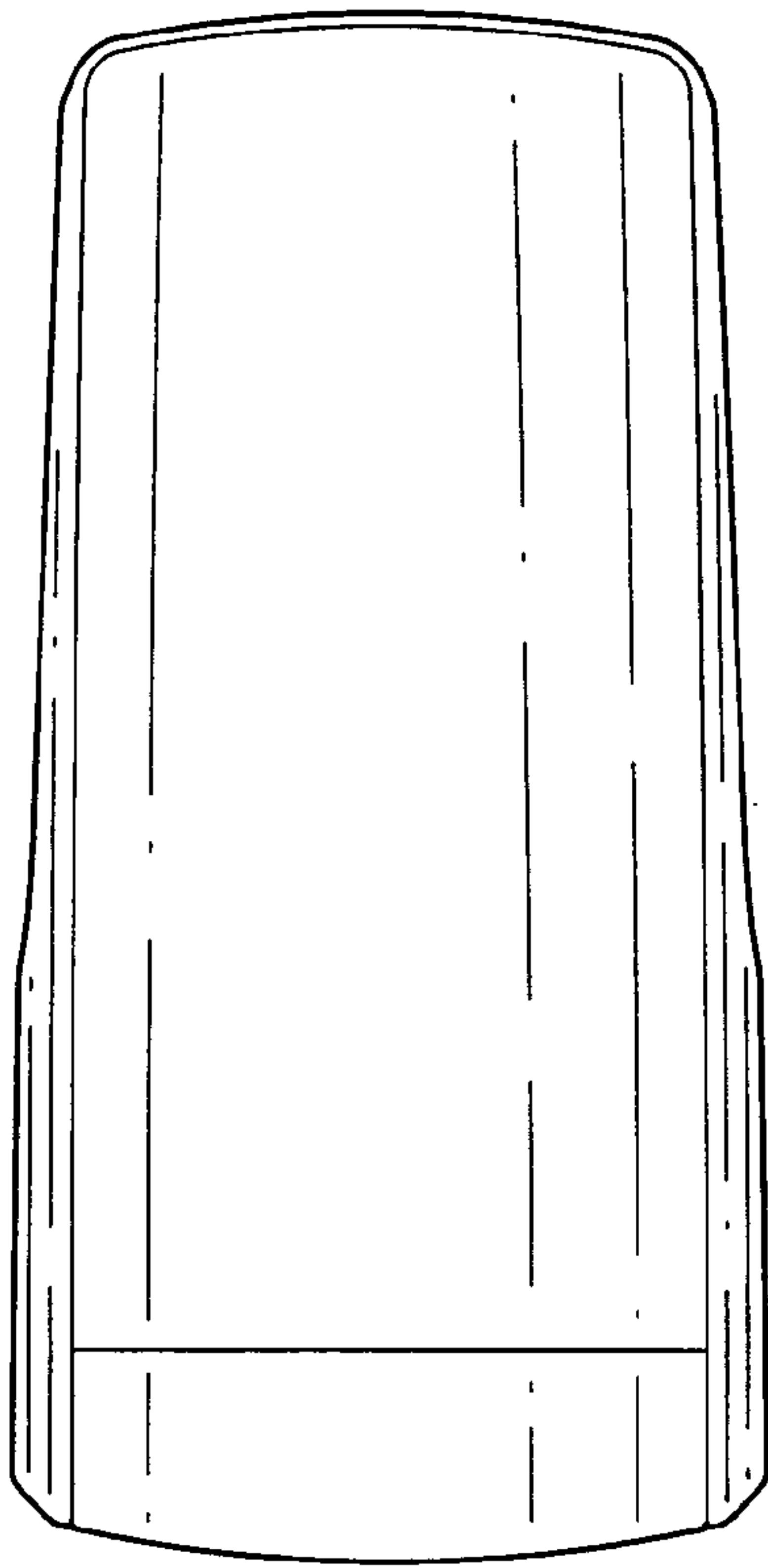


Fig. 4

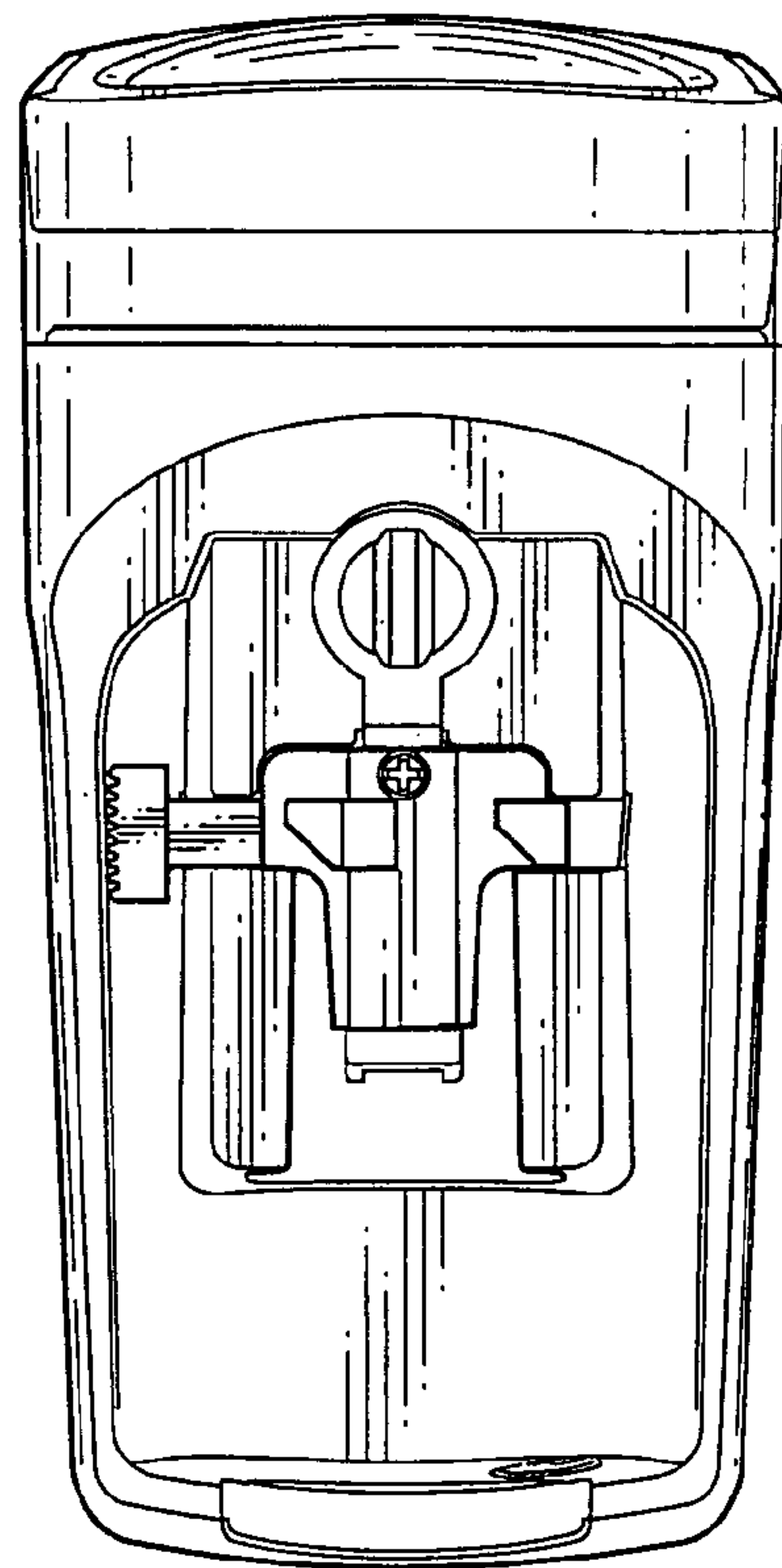


Fig. 5

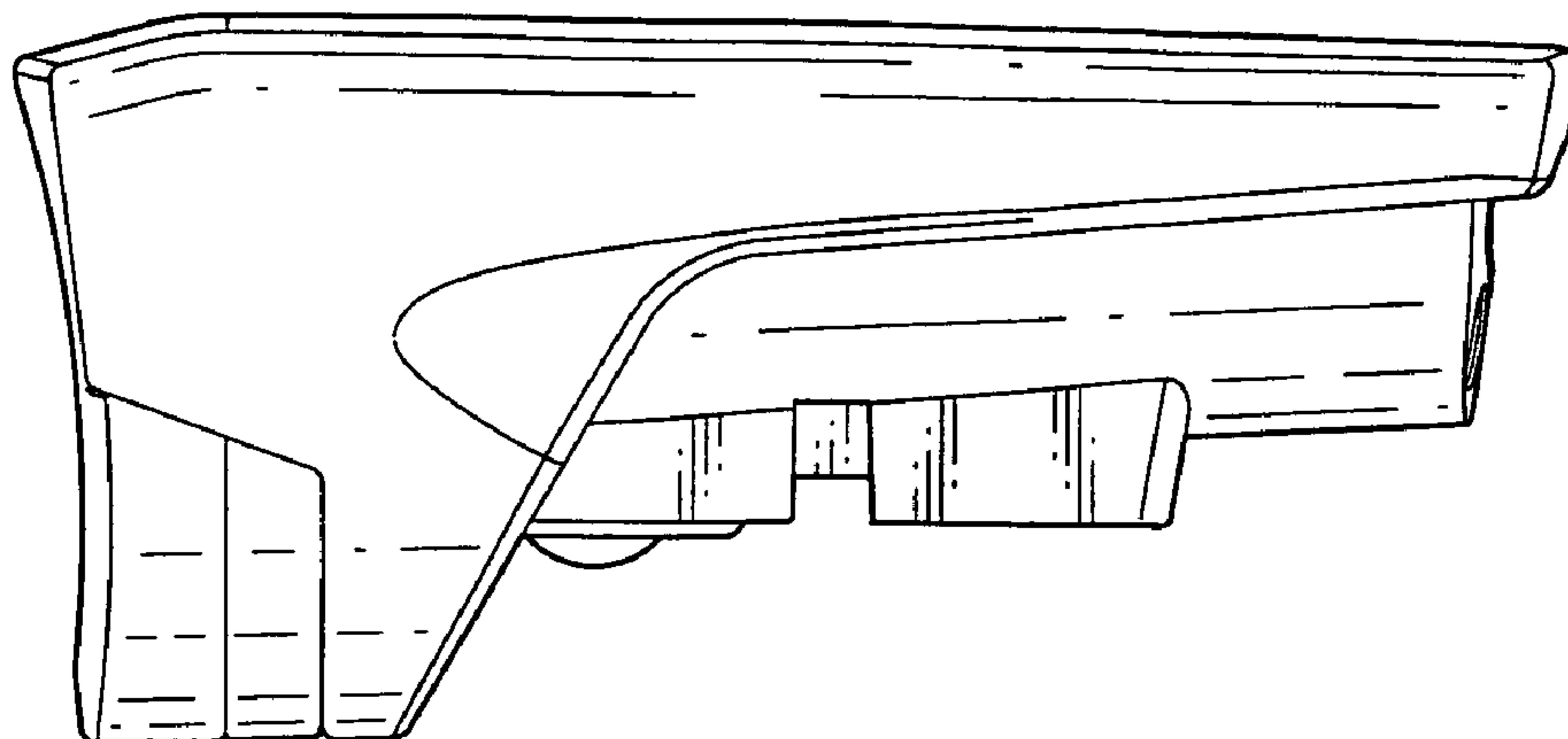


Fig. 6

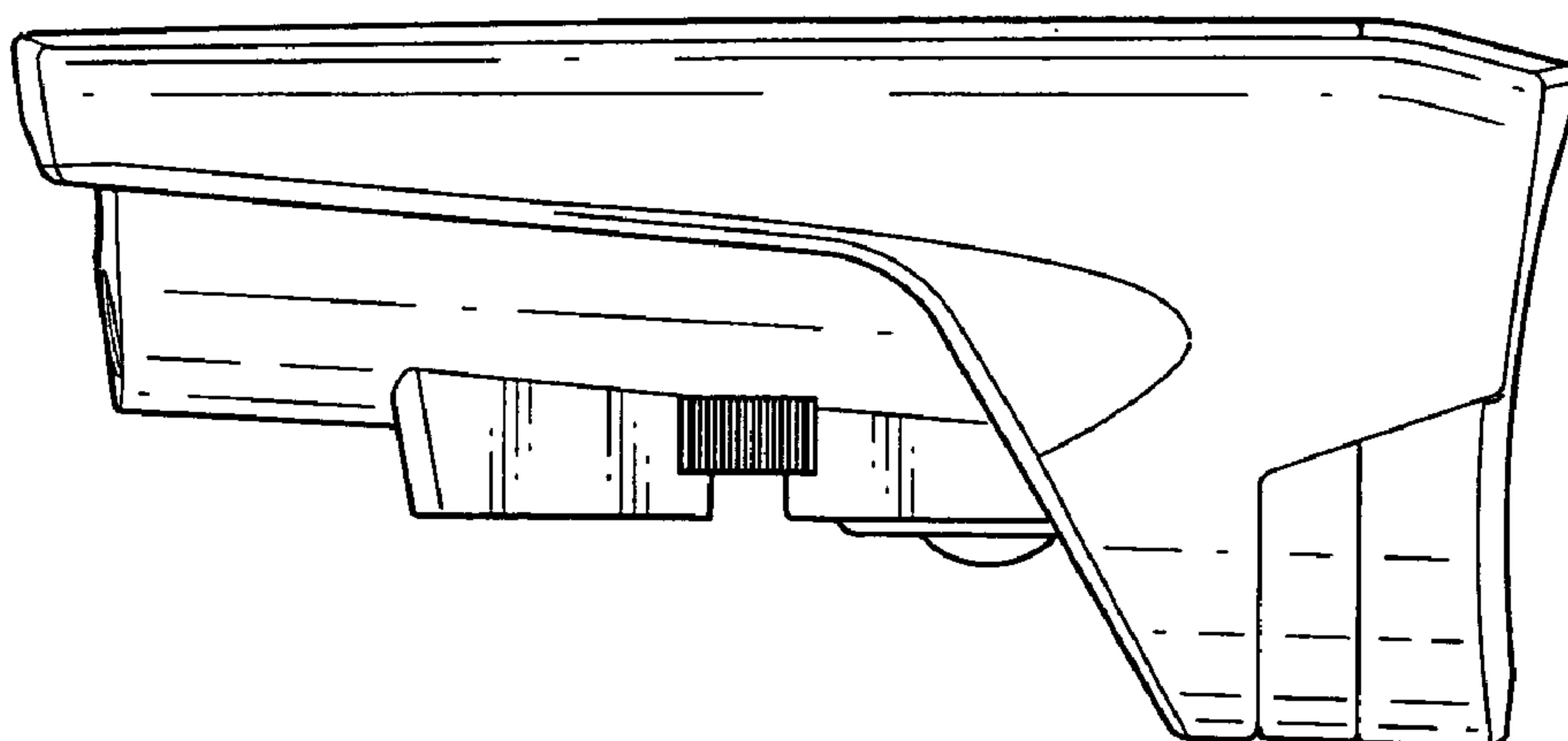


Fig. 7