



US00D670836S

(12) **United States Design Patent**
Hisey et al.

(10) **Patent No.:** **US D670,836 S**
(45) **Date of Patent:** **** Nov. 13, 2012**

- (54) **CANDLE JAR**
- (75) Inventors: **Christopher B. Hisey**, Burlington, WI (US); **Russell Lewis Ernest Blanchard**, Brooklyn, NY (US); **Vanessa S. Sättele**, Los Reyes Coyoacan (MX)
- (73) Assignee: **S.C. Johnson & Son, Inc.**, Racine, WI (US)
- (**) Term: **14 Years**
- (21) Appl. No.: **29/402,476**
- (22) Filed: **Sep. 23, 2011**
- (51) **LOC (9) Cl.** **26-01**
- (52) **U.S. Cl.** **26/22**
- (58) **Field of Classification Search** D26/5-23, D26/114-137; 431/289, 291, 292, 295, 350; D7/598; D11/143; D9/500, 503-505, 432, D9/516, 551
See application file for complete search history.

D439,517 S *	3/2001	Lindsay et al.	D9/500
6,241,513 B1	6/2001	Jeneral		
D445,677 S *	7/2001	Lindsay et al.	D9/429
D547,467 S	7/2007	Horenziak et al.		
D547,469 S	7/2007	Flores		
D547,470 S	7/2007	Horenziak et al.		
D553,437 S *	10/2007	Bodum	D7/523
D565,241 S	3/2008	Horenziak et al.		
7,377,772 B2	5/2008	Thune et al.		
D582,063 S	12/2008	Spangler et al.		
D582,580 S	12/2008	Spangler et al.		
D590,078 S	4/2009	Horenziak et al.		
D623,780 S	9/2010	Seum et al.		
D631,294 S	1/2011	Ross		
D631,702 S *	2/2011	Flick	D7/523
2007/0169404 A1 *	7/2007	Cagle	44/275
2008/0081305 A1	4/2008	Horenziak et al.		
2010/0044924 A1 *	2/2010	Cap	264/489
2011/0262875 A1 *	10/2011	Lin	431/289

* cited by examiner

Primary Examiner — T. Chase Nelson
Assistant Examiner — Ania Aman

(57) **CLAIM**
The ornamental design for a candle jar, as shown and described.

(56) **References Cited**

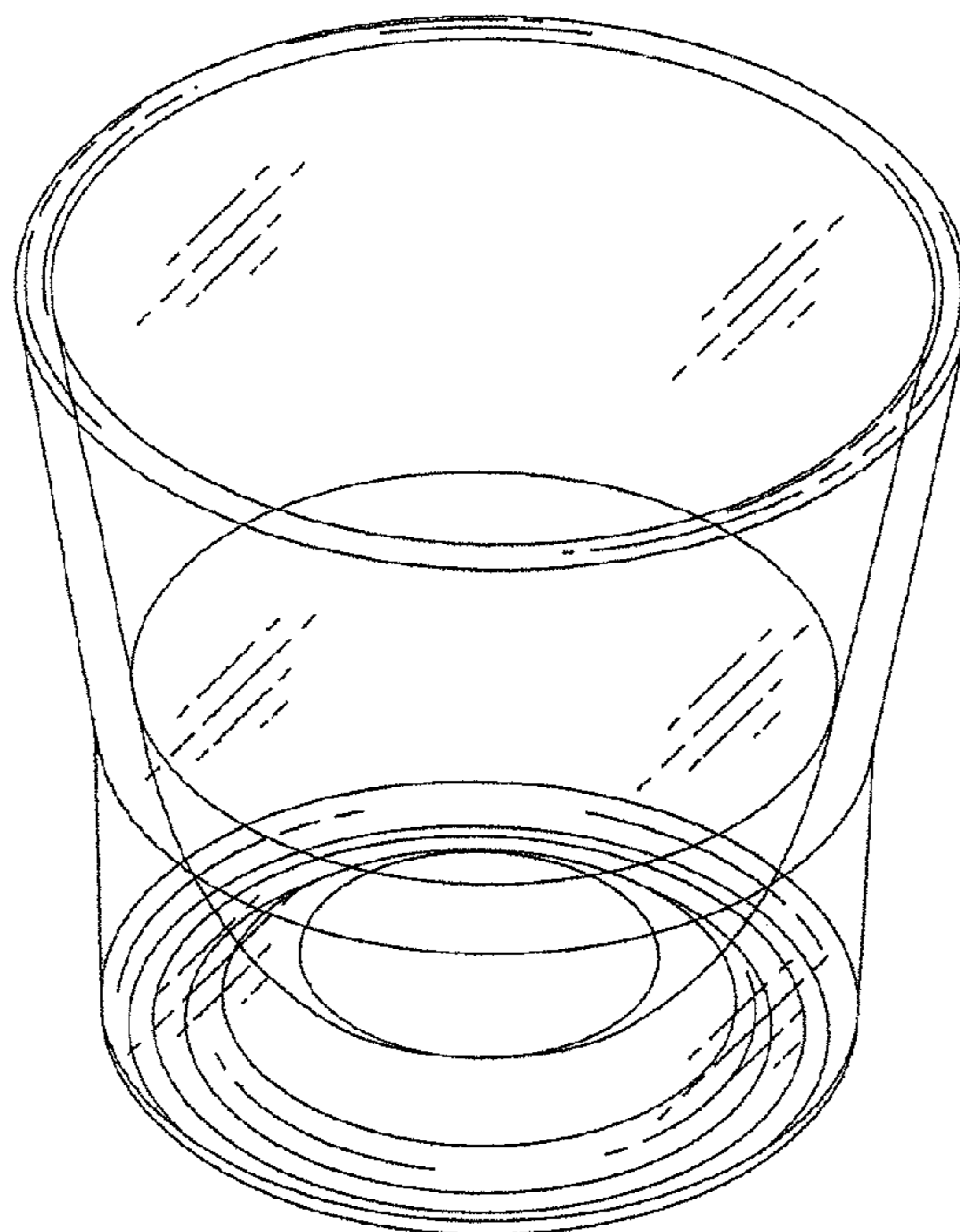
U.S. PATENT DOCUMENTS

2,291,067 A	7/1942	Atkins		
2,323,804 A	7/1943	Driscoll et al.		
D209,307 S *	11/1967	Schiling	D7/523
3,730,385 A *	5/1973	Rost	206/520
3,797,990 A	3/1974	Rogers et al.		
D258,338 S *	2/1981	Gersin	D7/584
D392,032 S	3/1998	Zaragoza et al.		
5,879,151 A	3/1999	Schultz et al.		
D422,101 S	3/2000	Barraclough et al.		
D425,220 S	5/2000	Klett et al.		

DESCRIPTION

FIG. 1 is a perspective view of a candle jar showing our new design;
FIG. 2 is a front view of the candle jar of FIG. 1, the rear, right side, and left side views being identical thereto;
FIG. 3 is a top view of the candle jar of FIG. 1; and,
FIG. 4 is a bottom view of the candle jar of FIG. 1.

1 Claim, 2 Drawing Sheets



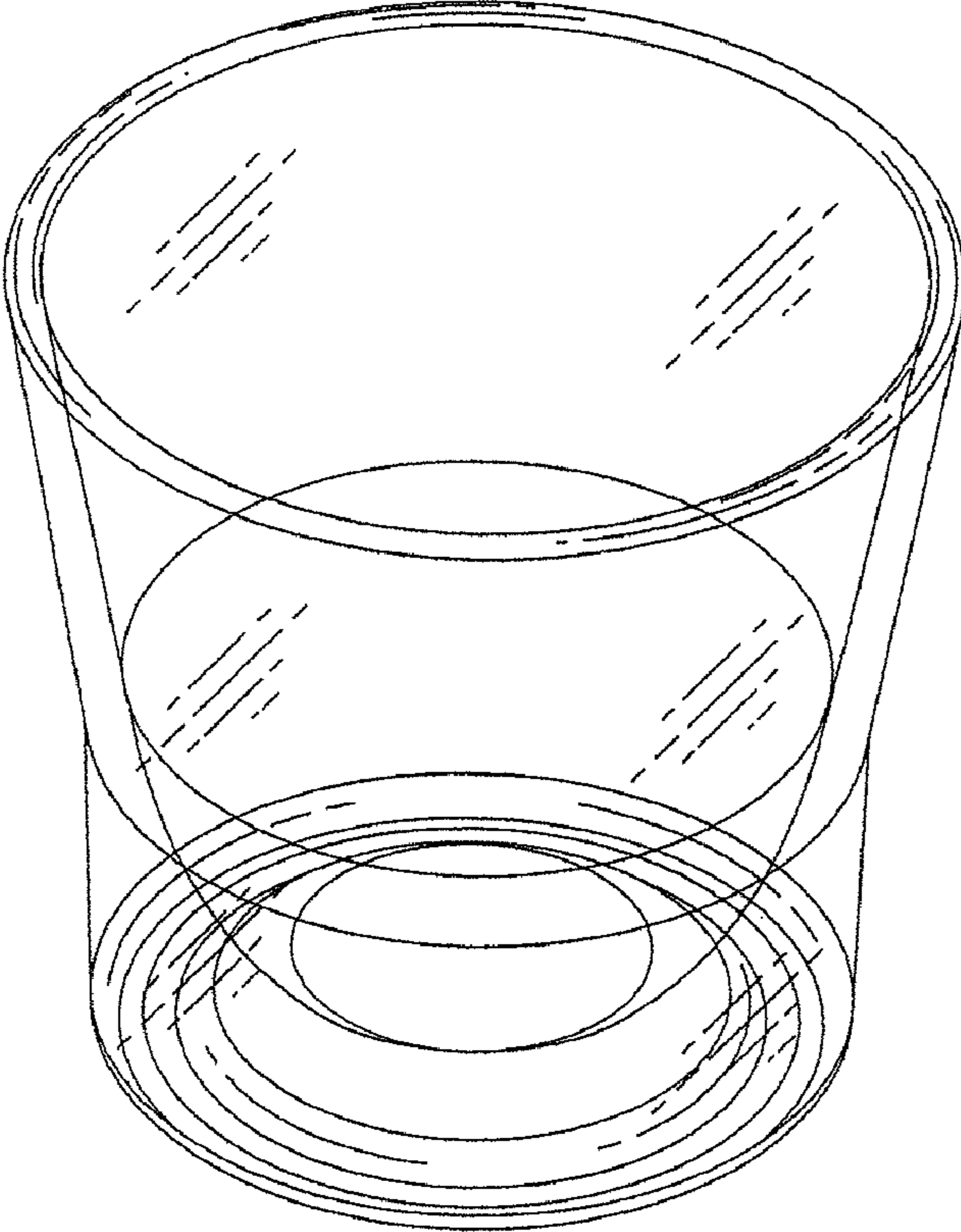


Fig. 1

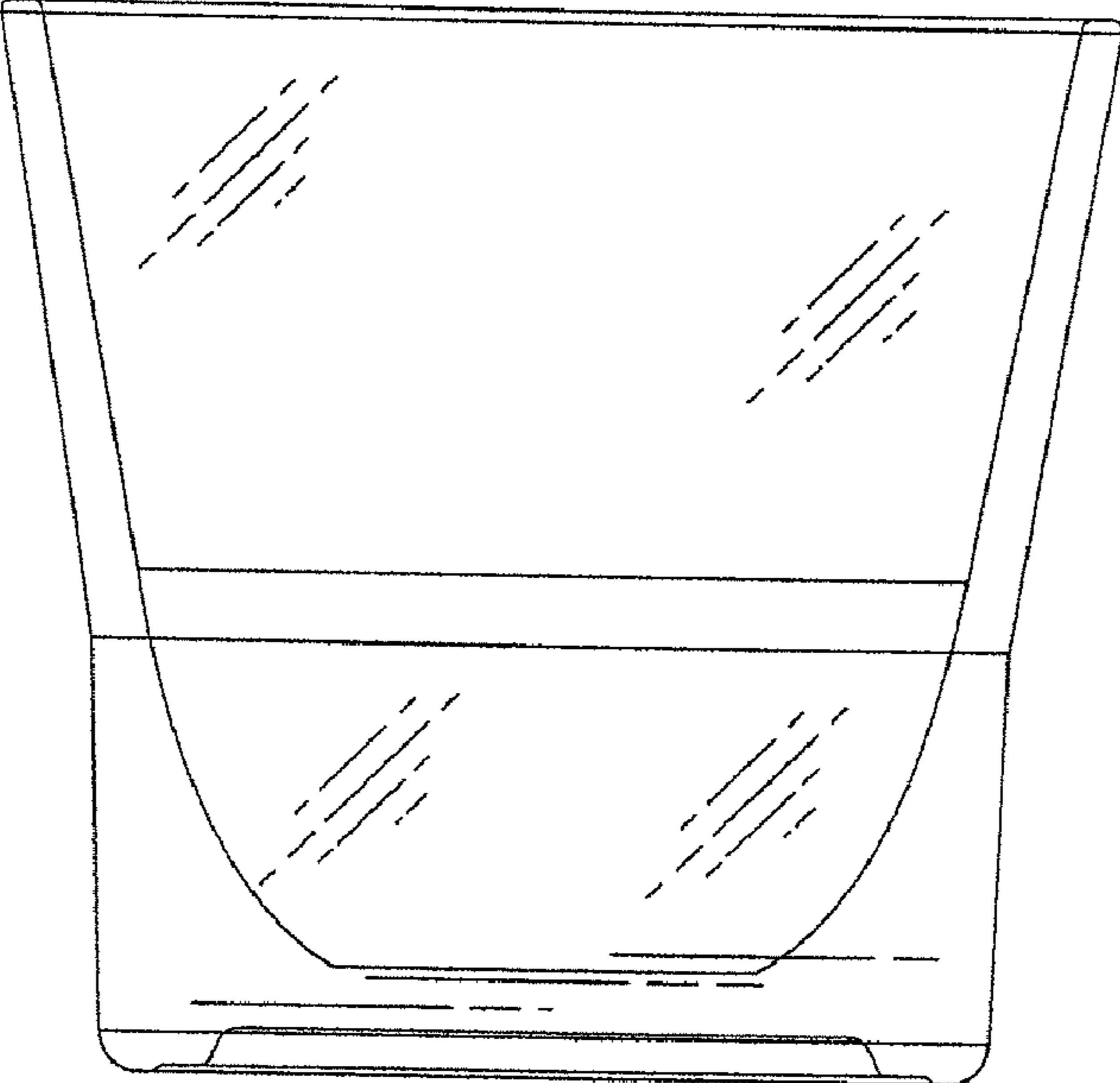


Fig. 2

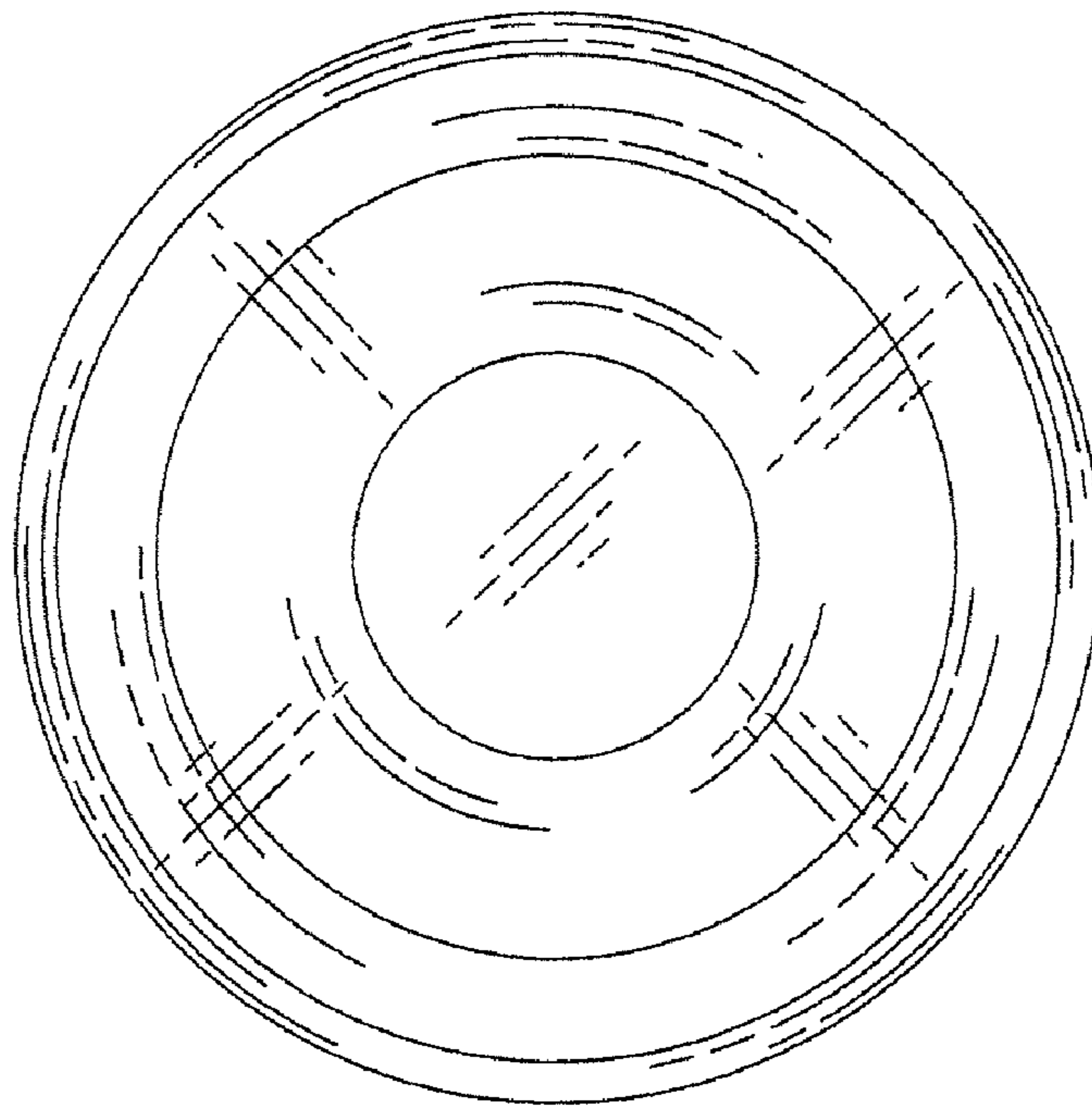


Fig. 3

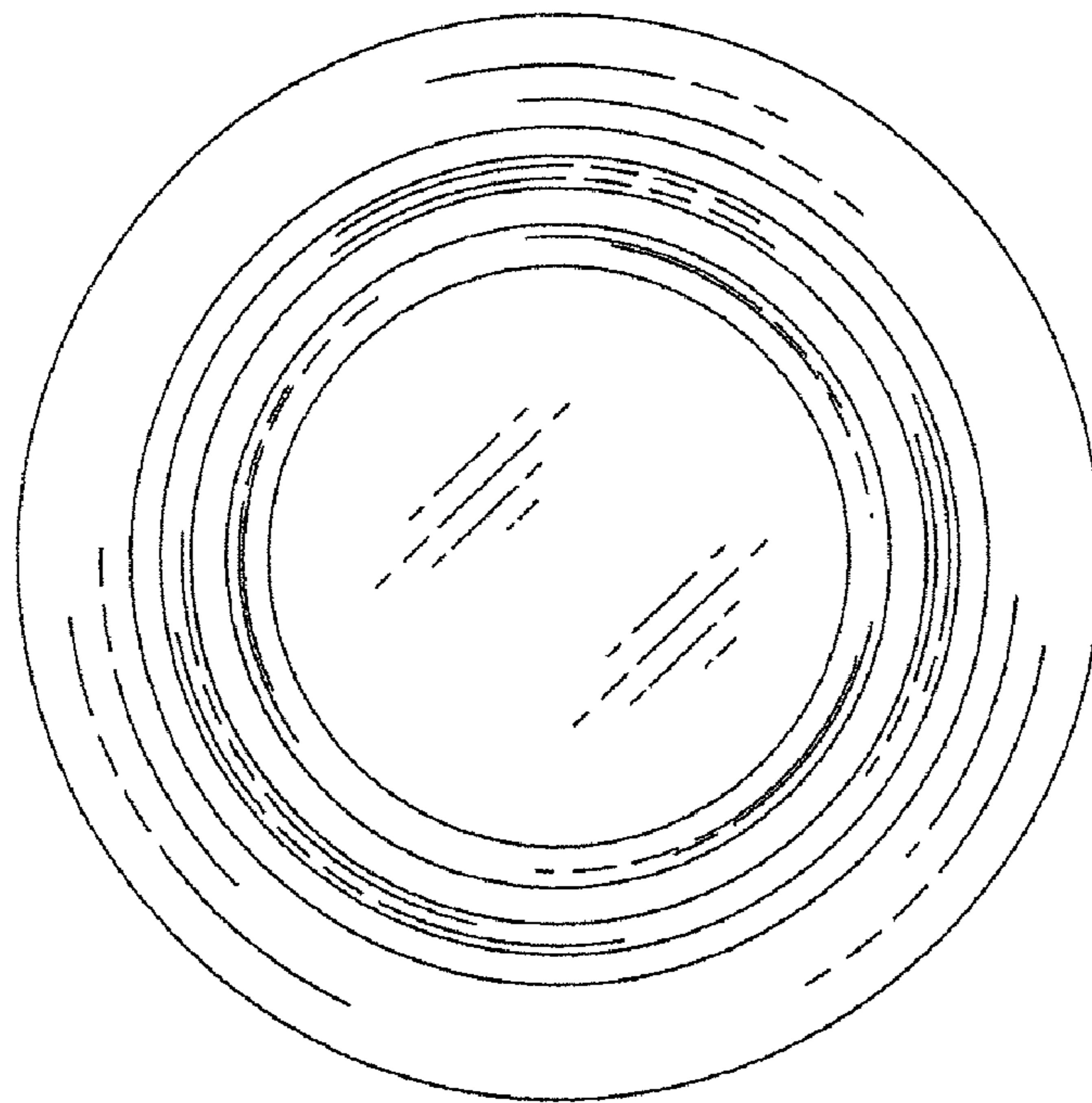


Fig. 4