



US00D670833S

(12) **United States Design Patent**
Chuang

(10) **Patent No.:** **US D670,833 S**

(45) **Date of Patent:** **** Nov. 13, 2012**

(54) **LIGHT EMITTING DIODE LAMP**

Primary Examiner — Marcus Jackson

(76) Inventor: **Sheng-Yi Chuang**, Hsinchu (TW)

(74) *Attorney, Agent, or Firm* — Muncy, Geissler, Olds & Lowe, PLLC

(**) Term: **14 Years**

(21) Appl. No.: **29/415,546**

(57) **CLAIM**

The ornamental design for “light emitting diode lamp,” as shown and described.

(22) Filed: **Mar. 12, 2012**

(51) **LOC (9) Cl.** **26-04**

(52) **U.S. Cl.** **D26/4**

(58) **Field of Classification Search** D26/1-4;
313/313, 315, 316, 317, 318, 493; 315/52,
315/53, 56, 57, 58

See application file for complete search history.

DESCRIPTION

FIG. 1 is a perspective view of “light emitting diode lamp” showing my new design thereof;

FIG. 2 shows that a right side view thereof;

FIG. 3 is a top view thereof

FIG. 4 is a front side elevation view thereof;

FIG. 5 is a bottom plan view thereof;

FIG. 6 is a left side elevation view thereof; and,

FIG. 7 is a rear perspective view hereof.

The broken line showing of the lamp portion is included for the purpose of illustrating only and forms no part of the claimed design.

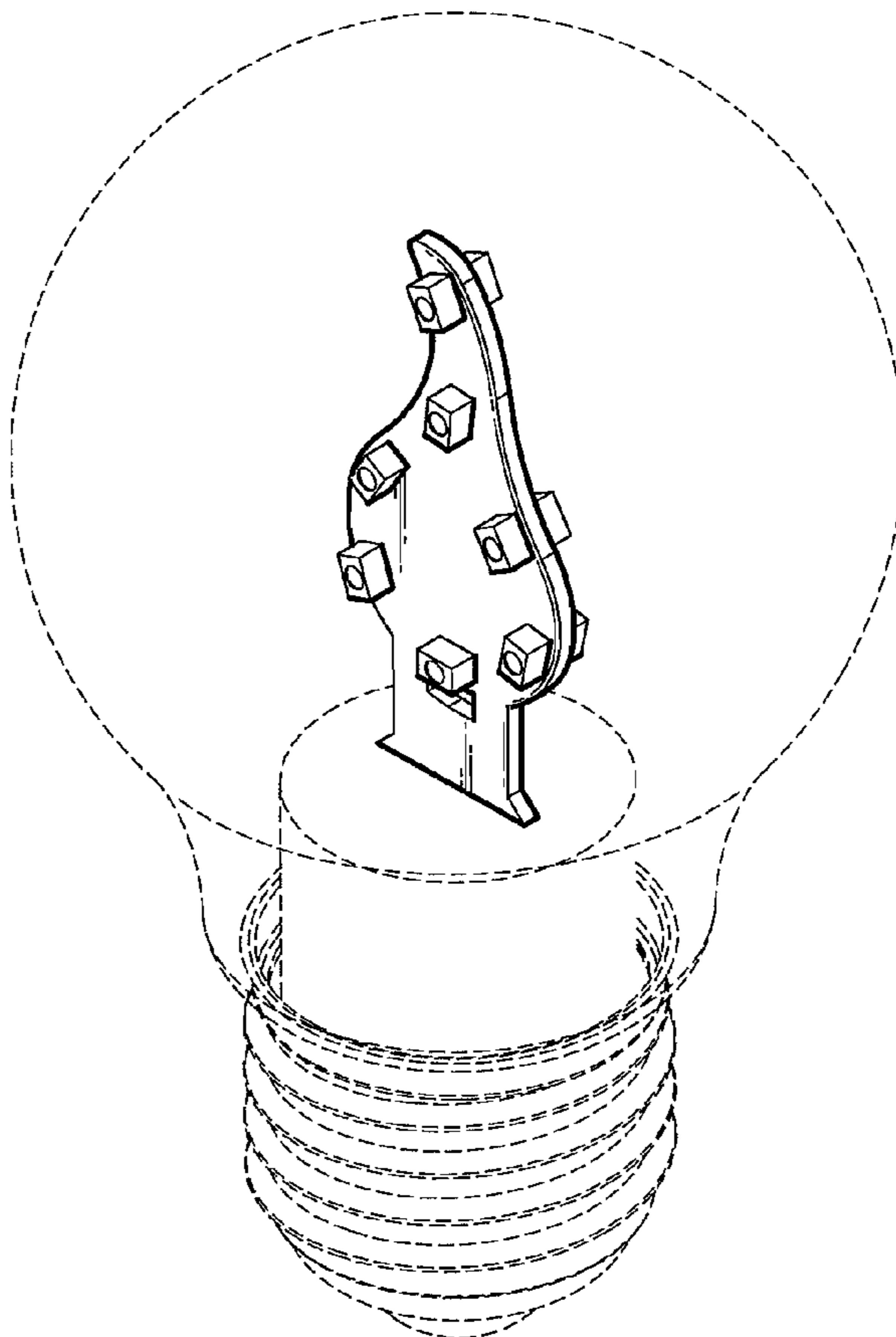
(56) **References Cited**

U.S. PATENT DOCUMENTS

D292,615 S *	11/1987	Tolson, Sr.	D26/4
D370,282 S *	5/1996	Grether	D26/4
D464,445 S *	10/2002	Honda et al.	D26/2
D485,380 S *	1/2004	Goodenow	D26/4
D664,682 S *	7/2012	Matsuda et al.	D26/2

* cited by examiner

1 Claim, 7 Drawing Sheets



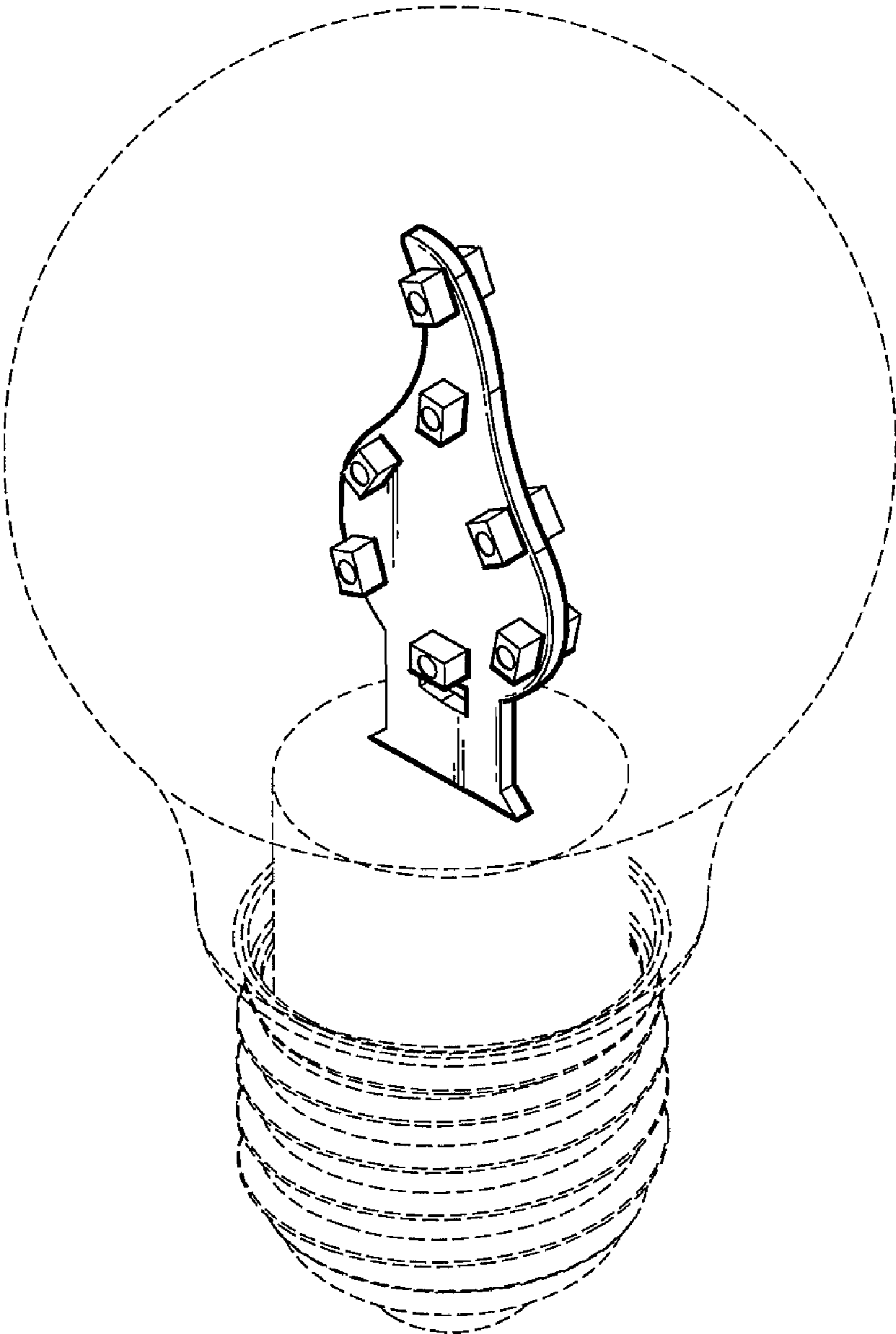


Fig. 1

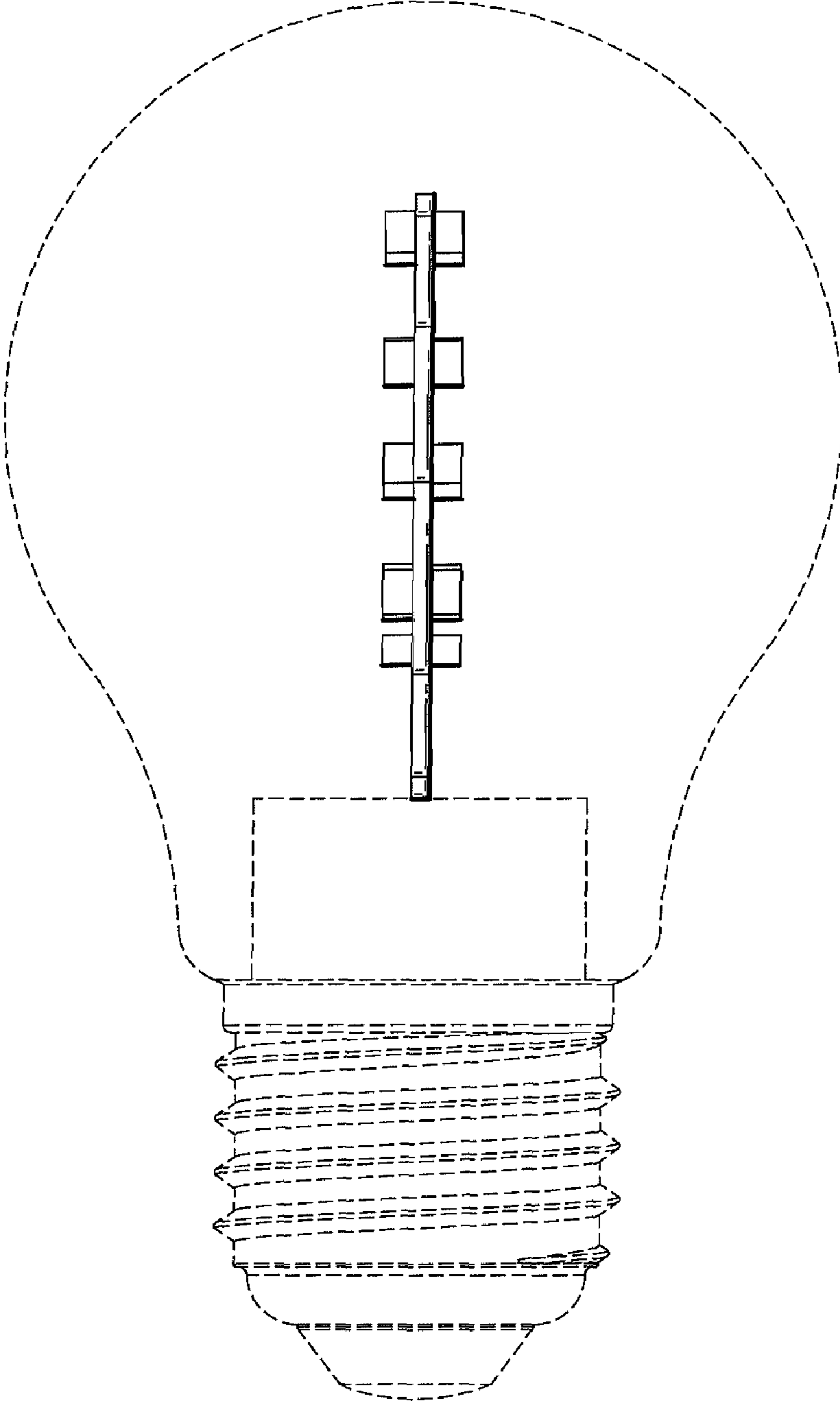


Fig. 2

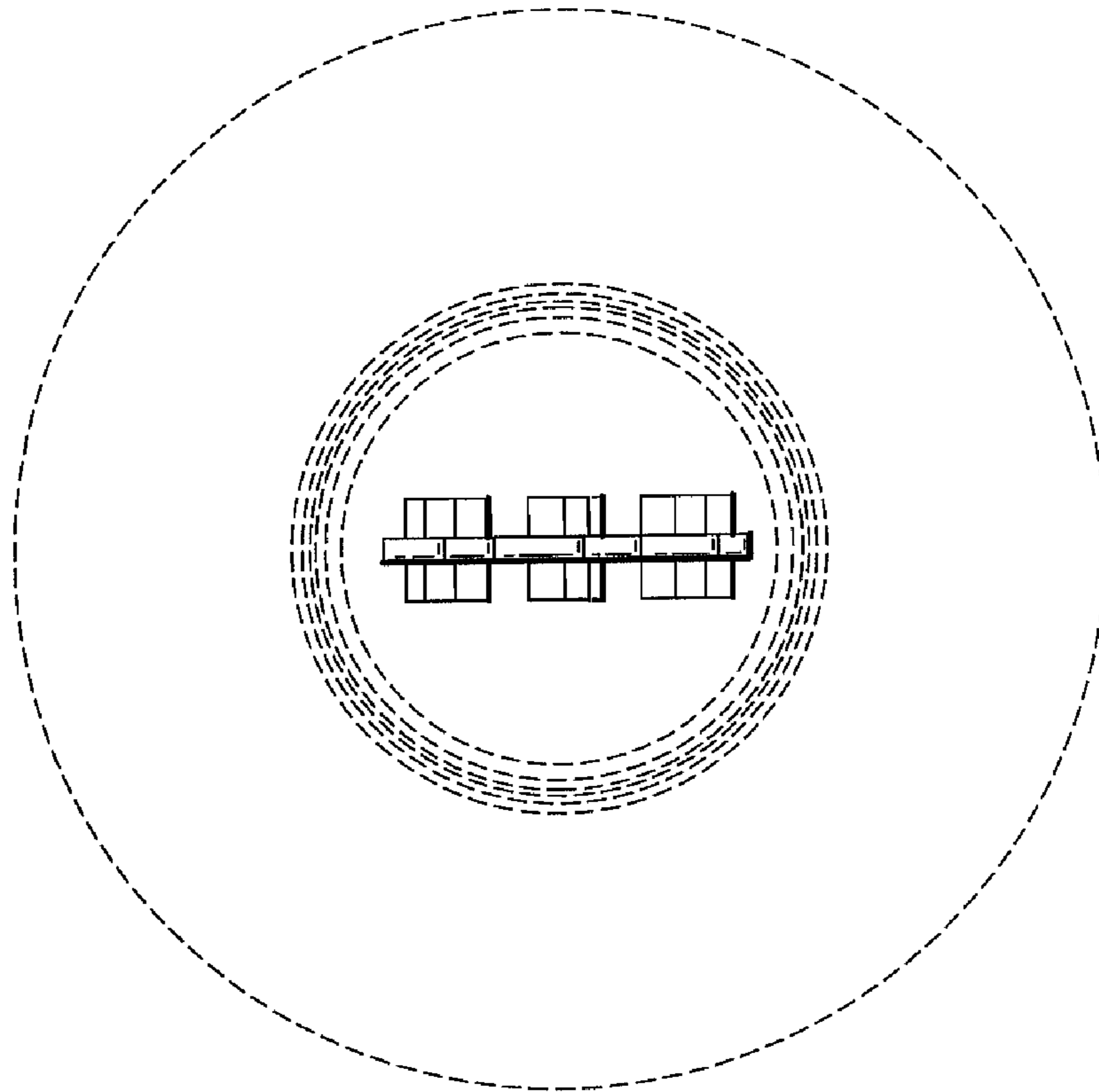


Fig. 3

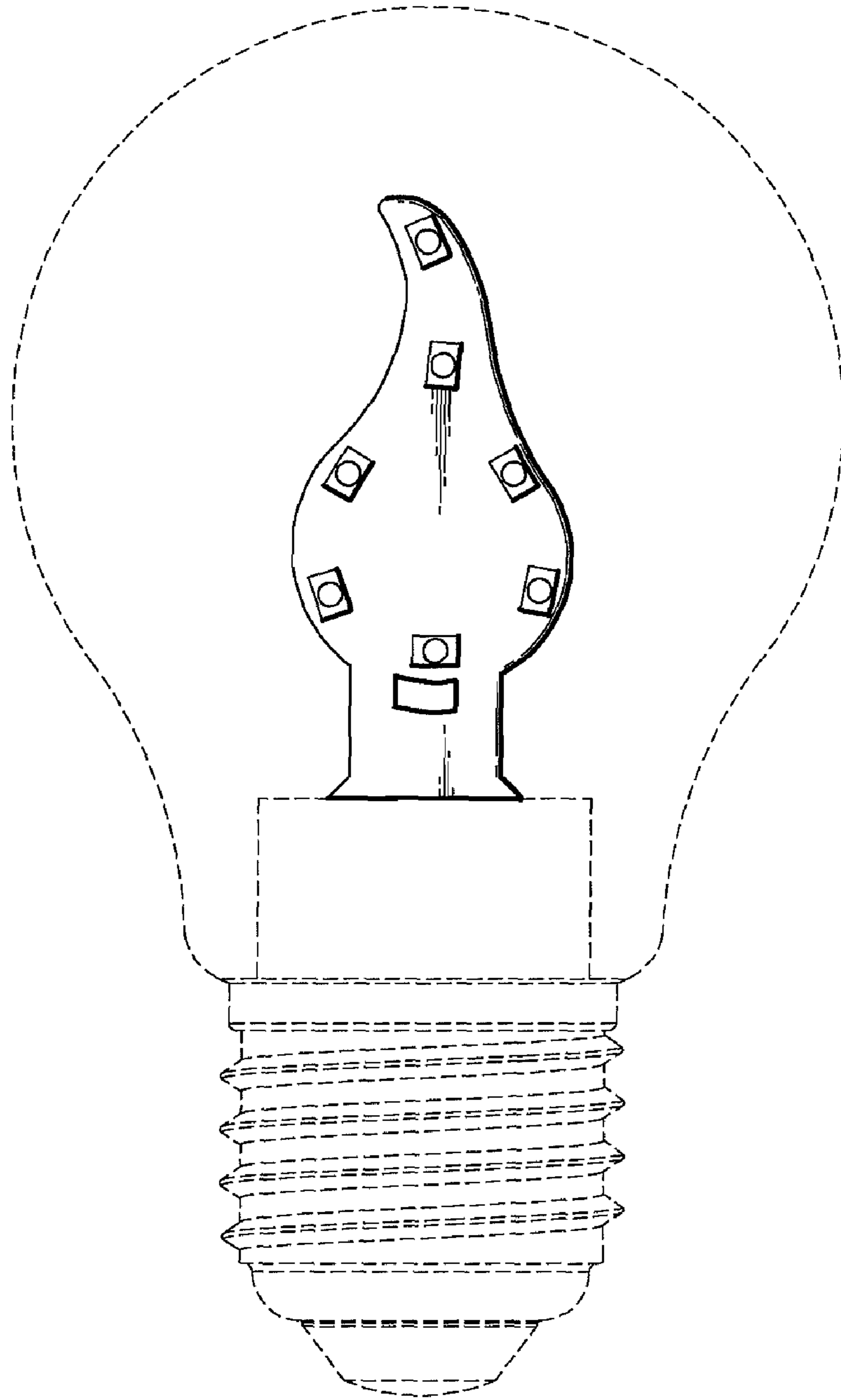


Fig. 4

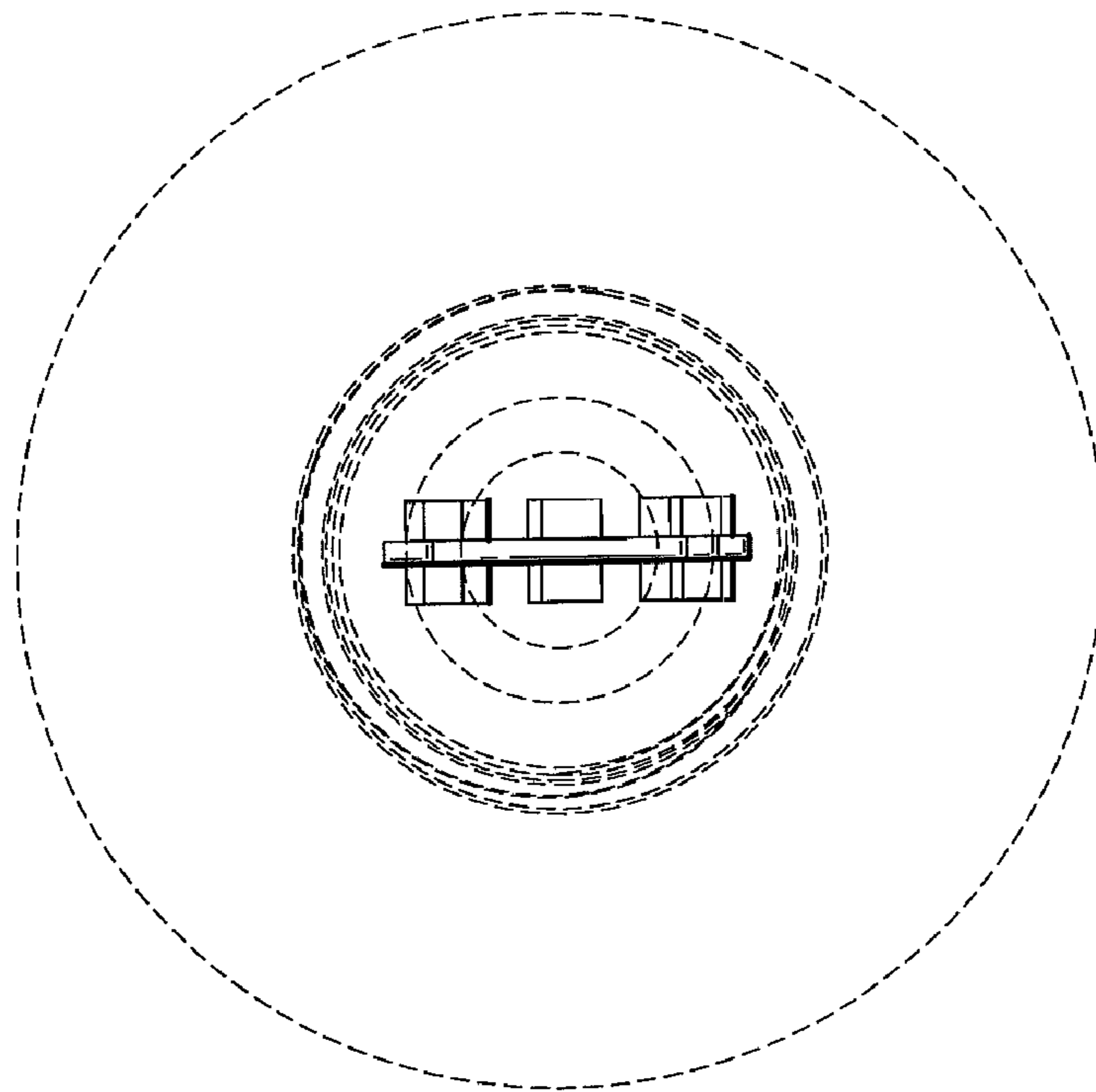


Fig. 5

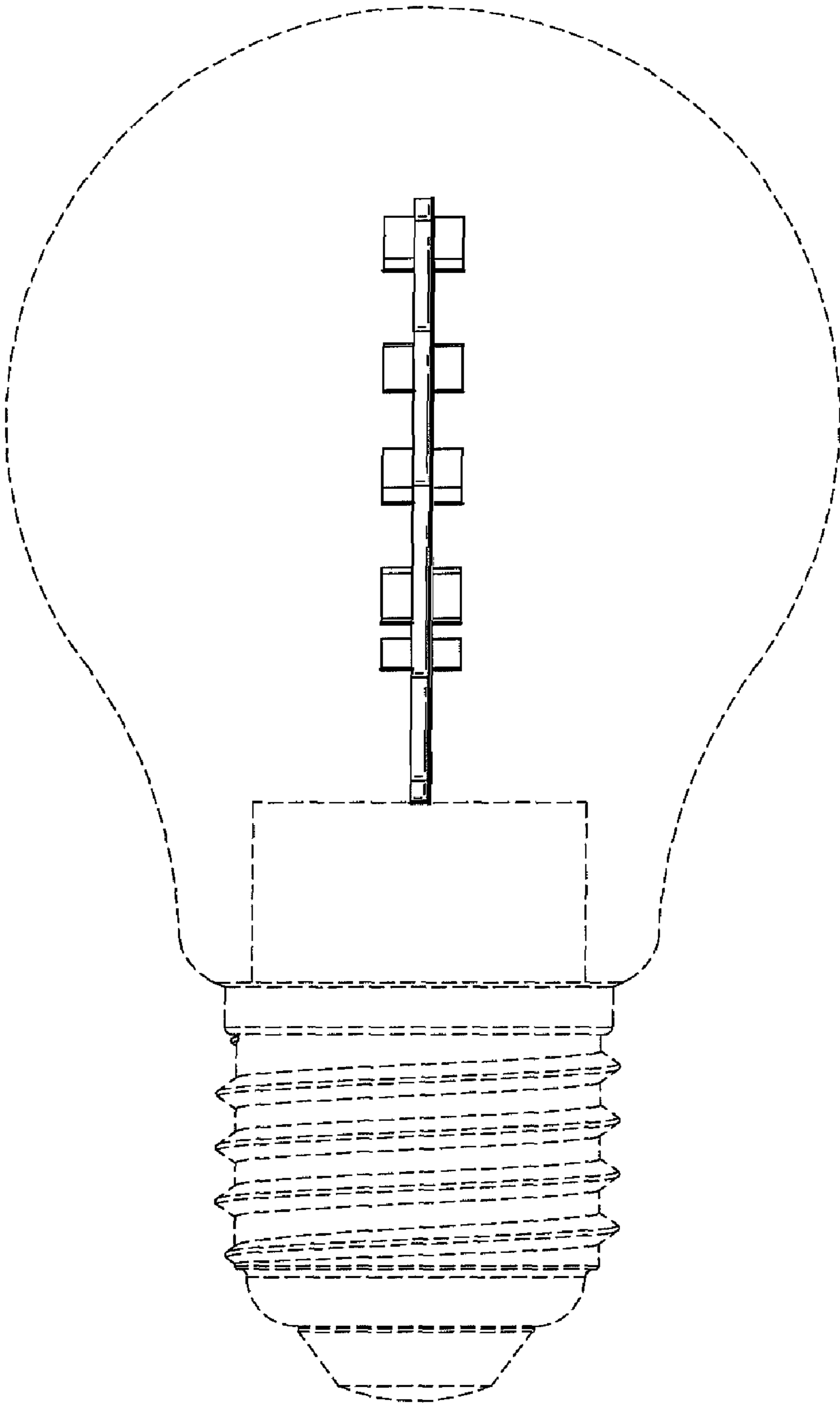


Fig. 6

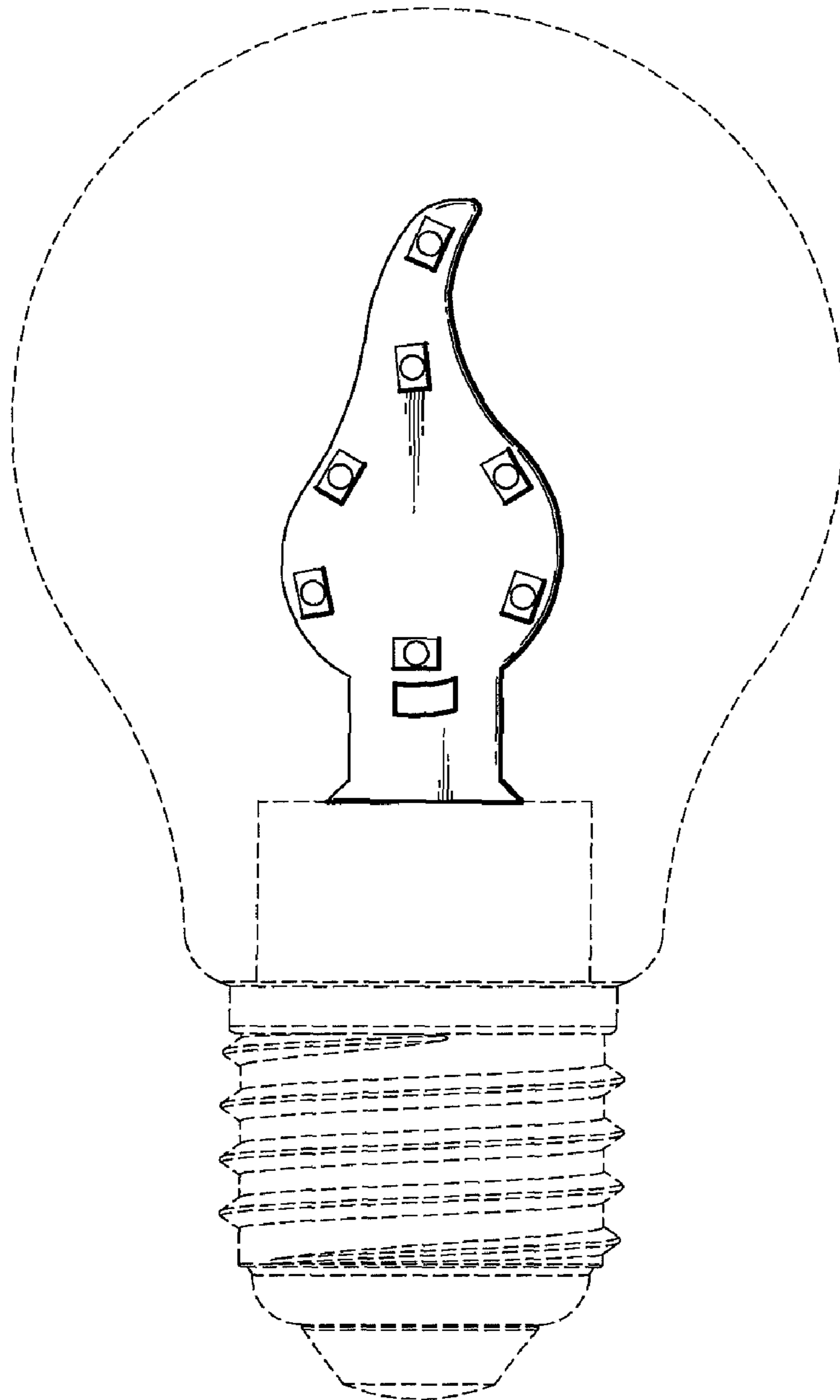


Fig. 7