



US00D670830S

(12) **United States Design Patent**  
**Kim**

(10) **Patent No.:** **US D670,830 S**

(45) **Date of Patent:** **\*\* Nov. 13, 2012**

(54) **LIGHT EMITTING DIODE LAMP**

(75) **Inventor:** **Ha Chul Kim**, Seoul (KR)

(73) **Assignee:** **Lumirich Co., Ltd.**, Incheon (KR)

(\*\*) **Term:** **14 Years**

(21) **Appl. No.:** **29/414,358**

(22) **Filed:** **Feb. 28, 2012**

(30) **Foreign Application Priority Data**

Dec. 9, 2011 (KR) ..... 30-2011-0052363

(51) **LOC (9) Cl.** ..... **26-04**

(52) **U.S. Cl.** ..... **D26/3**

(58) **Field of Classification Search** ..... D26/1-4;

313/313, 315, 316, 317, 318, 493; 315/52,

315/53, 56, 57, 58

See application file for complete search history.

(56) **References Cited**

U.S. PATENT DOCUMENTS

D417,296 S *	11/1999	Kato et al.	.....	D26/3
D428,502 S *	7/2000	Ho	.....	D26/3
D447,254 S *	8/2001	Takeuchi	.....	D26/3
D464,154 S *	10/2002	Xu	.....	D26/3

\* cited by examiner

*Primary Examiner* — Marcus Jackson

(74) *Attorney, Agent, or Firm* — Rabin & Berdo, P.C.

(57) **CLAIM**

The ornamental design for a light emitting diode lamp, as shown and described.

**DESCRIPTION**

FIG. 1 is a perspective view of a light emitting diode lamp showing my new design;

FIG. 2 is a front elevational view thereof;

FIG. 3 is a rear elevational view thereof;

FIG. 4 is a left side elevational view thereof;

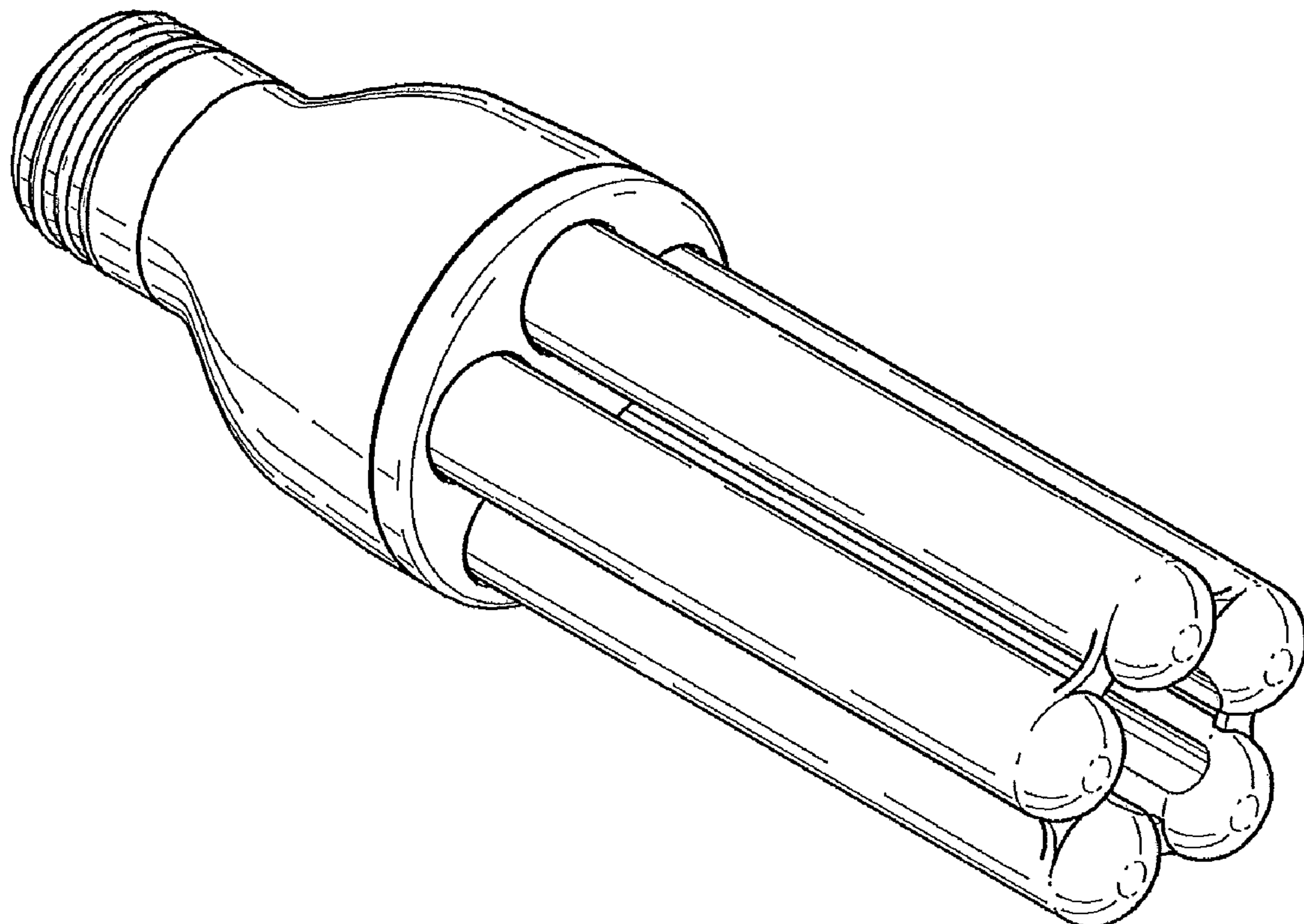
FIG. 5 is a right side elevational view thereof;

FIG. 6 is a top plan view thereof; and,

FIG. 7 is a bottom plan view thereof.

The surface(s) or portion(s) of the article not shown in the drawing or described in the specification form(s) no part of the claimed design.

**1 Claim, 5 Drawing Sheets**



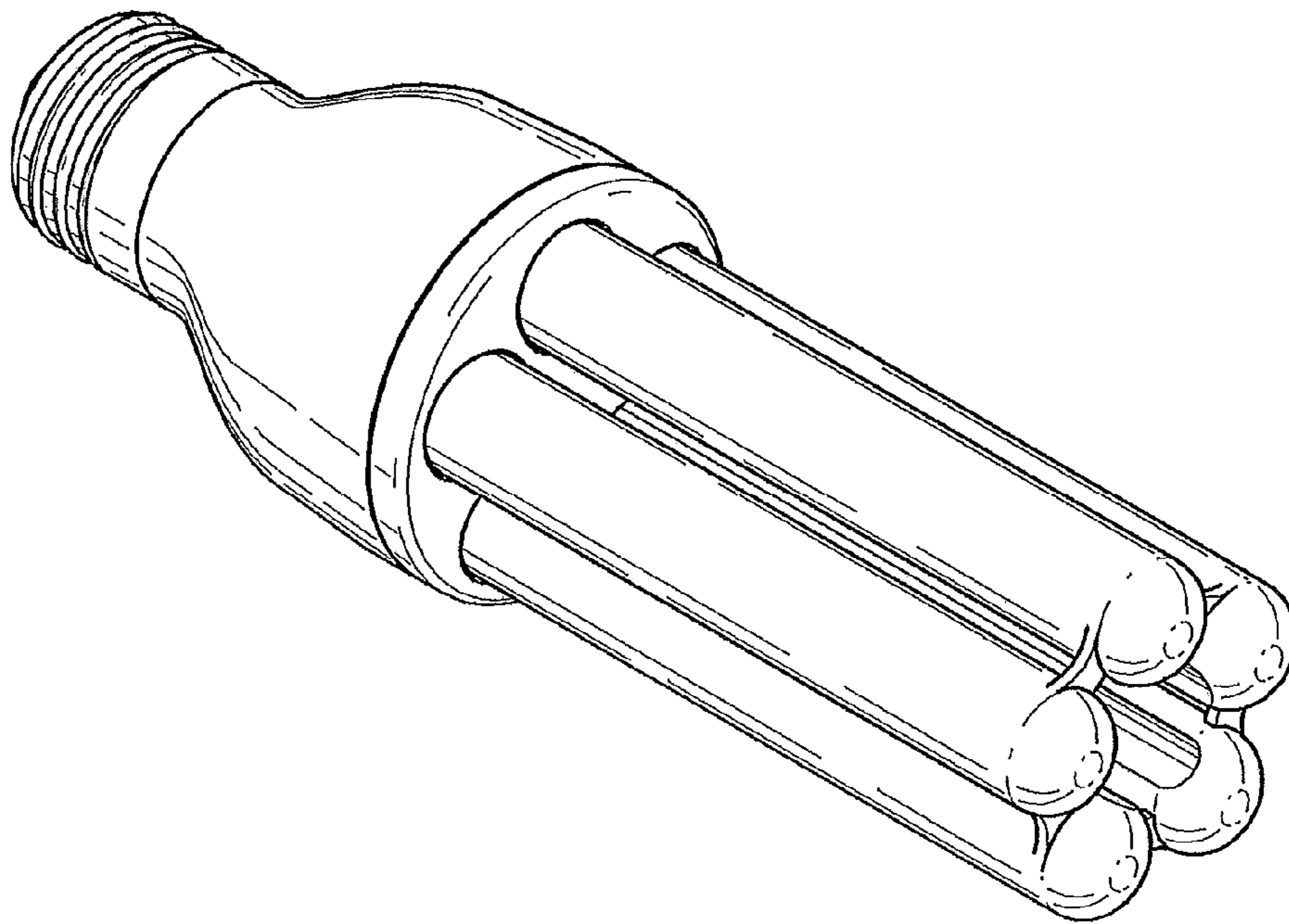


FIG. 1

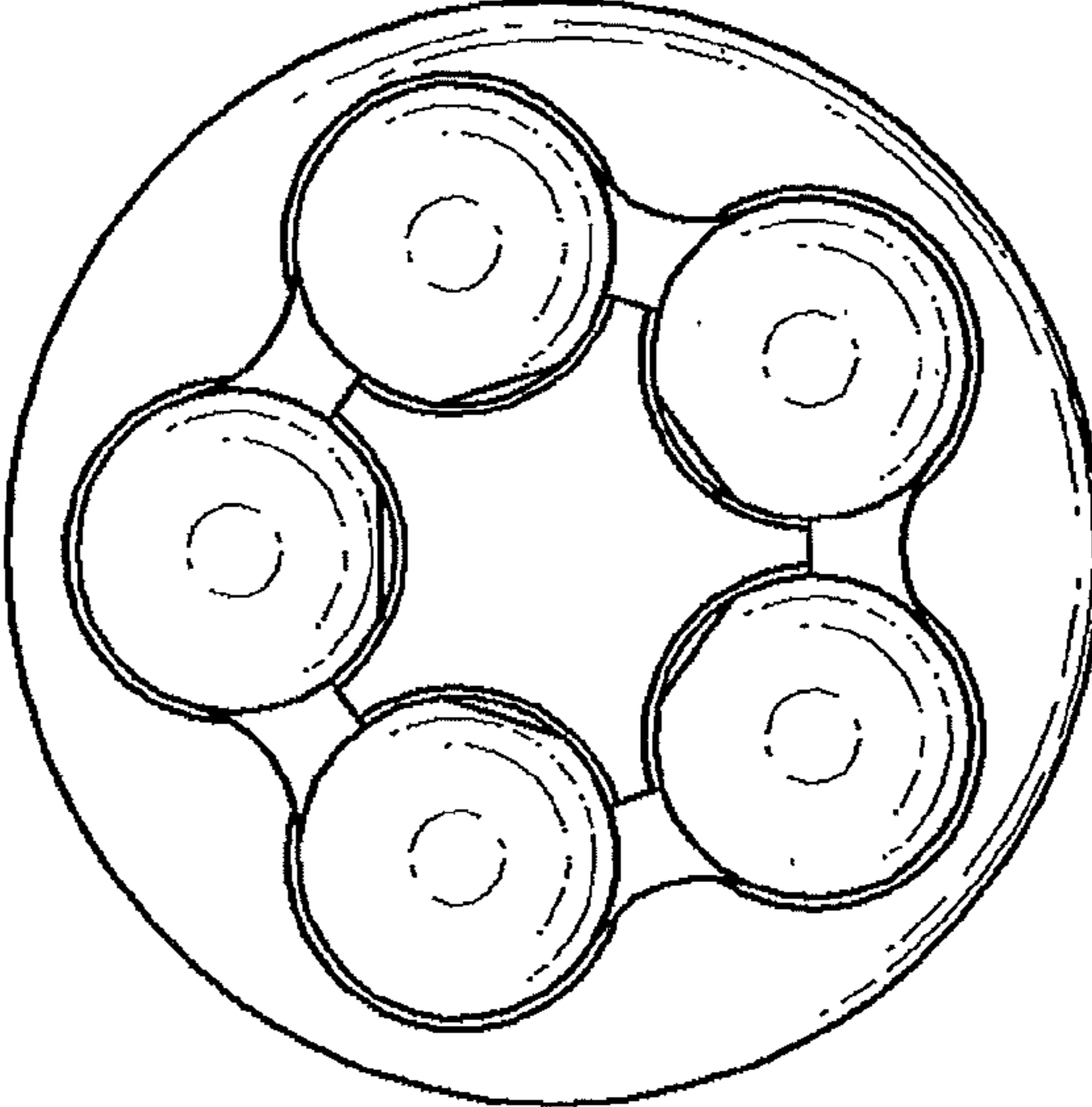


FIG. 2

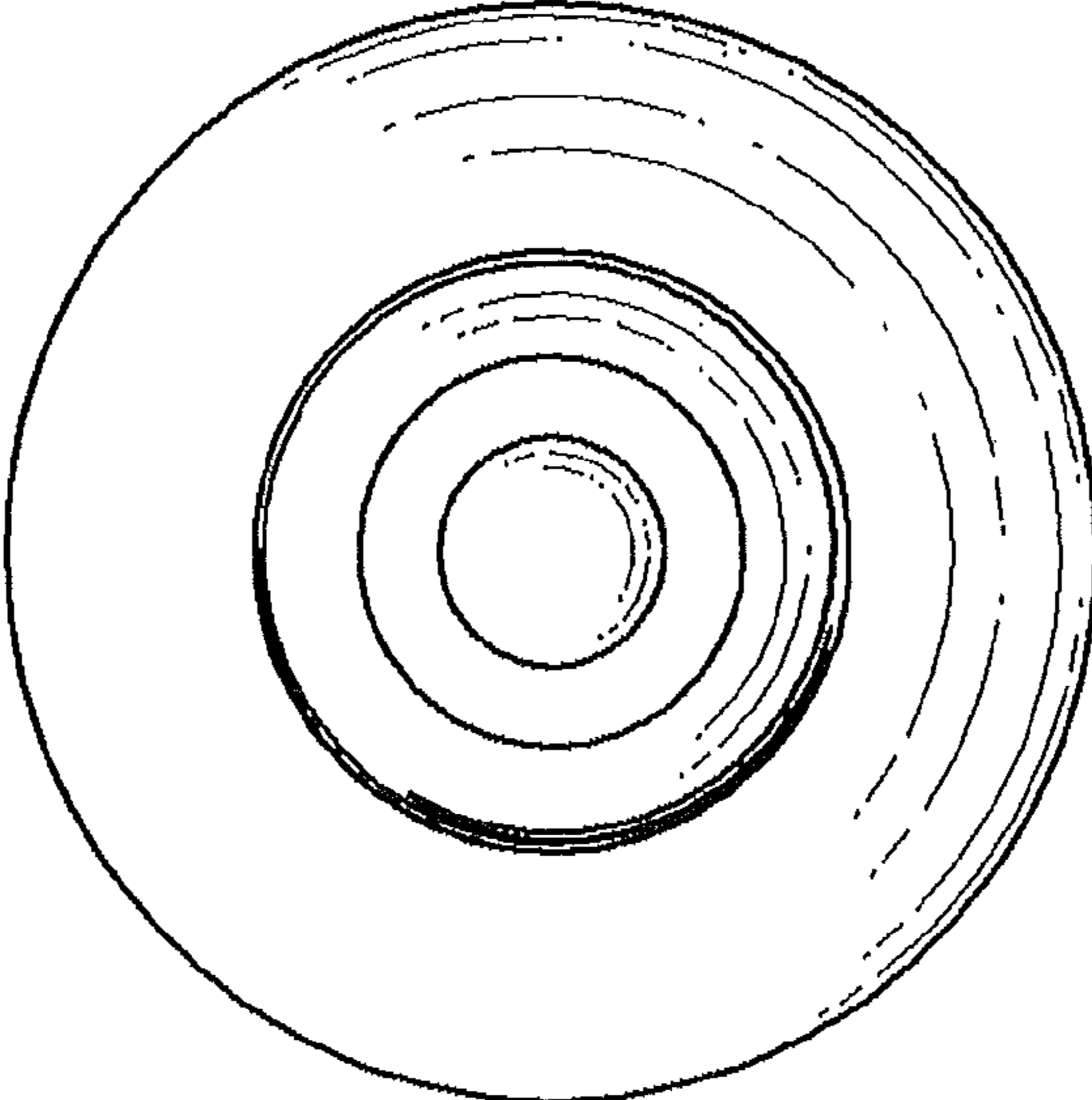


FIG. 3

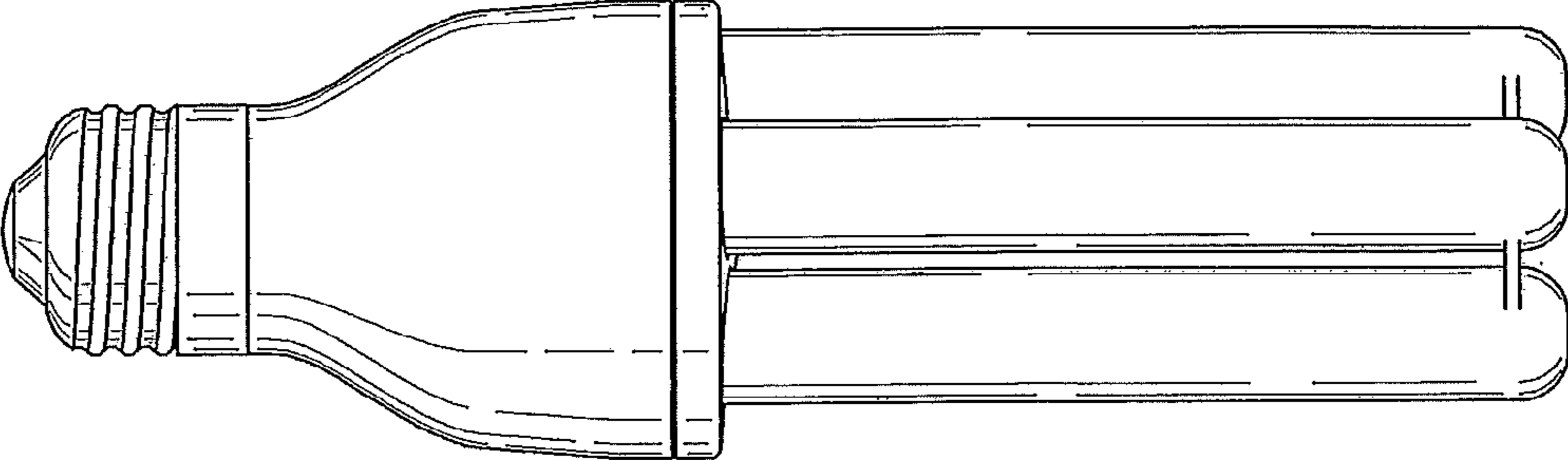


FIG. 4

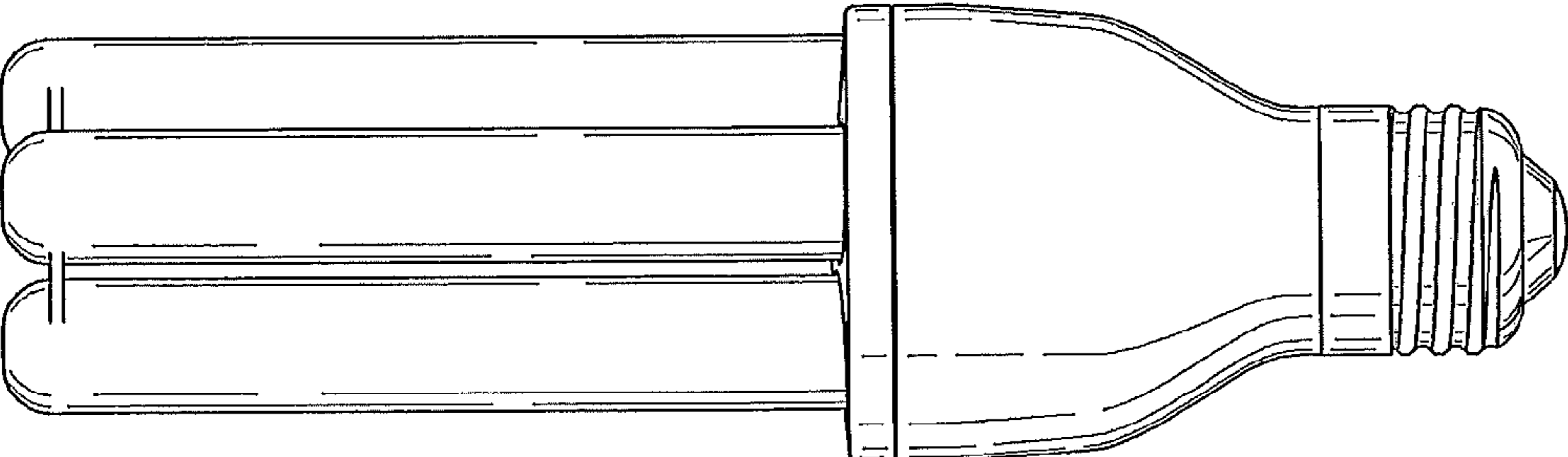


FIG. 5

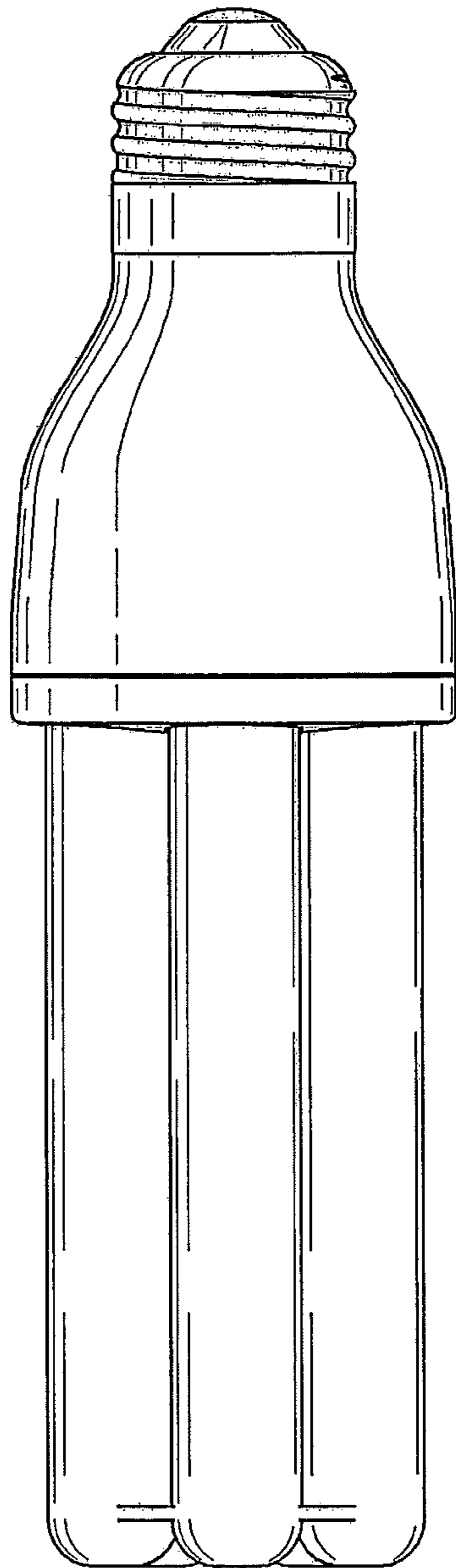


FIG. 6

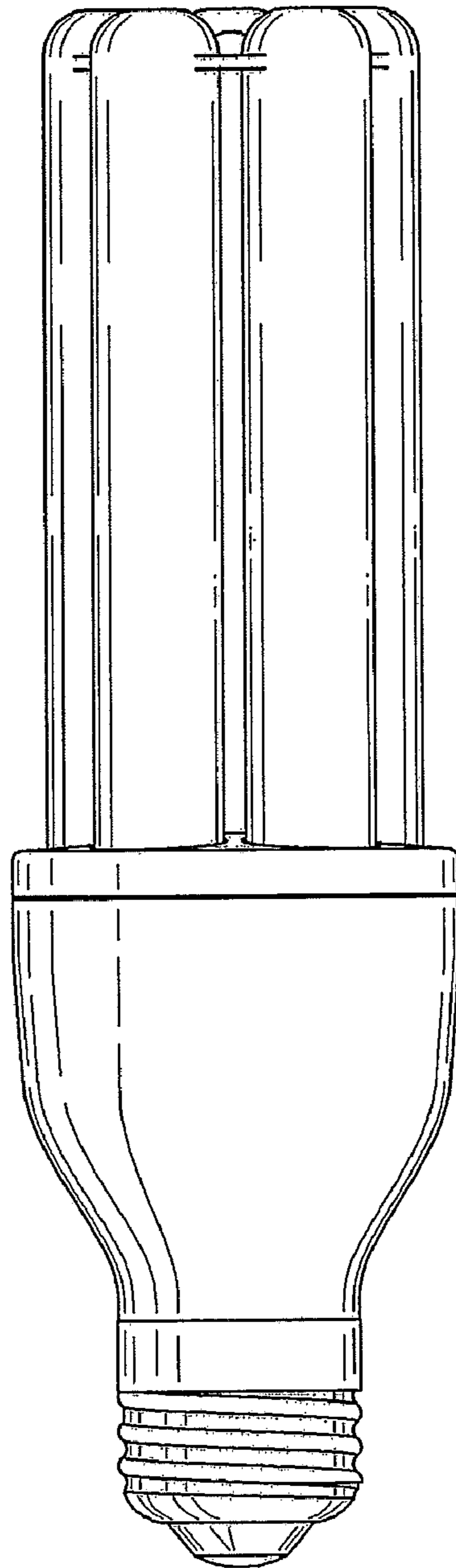


FIG. 7