



US00D670818S

(12) **United States Design Patent**
Galano et al.

(10) **Patent No.:** **US D670,818 S**

(45) **Date of Patent:** **** Nov. 13, 2012**

(54) **REAGENT CARD CASSETTE**

(75) Inventors: **Kenneth Galano**, Wrentham, MA (US);
Philip Martin Reavis, Jr., Somerville,
MA (US); **Aaron Sung-Lien Tang**,
Boston, MA (US)

(73) Assignee: **Siemens Healthcare Diagnostics Inc.**,
Tarrytown, NY (US)

(**) Term: **14 Years**

(21) Appl. No.: **29/408,542**

(22) Filed: **Dec. 14, 2011**

(51) **LOC (9) Cl.** **24-01**

(52) **U.S. Cl.** **D24/224**

(58) **Field of Classification Search** D24/216–217,
D24/219, 222–226, 227, 231, 232; D10/81;
D3/203.1–203.8, 202; 435/288.1, 288.3,
435/304.1, 304.3; 422/500, 547, 548, 549,
422/550, 554, 556, 910; D9/414, 425, 432
See application file for complete search history.

(56) **References Cited**

U.S. PATENT DOCUMENTS

D254,568 S * 3/1980 Mack et al. D24/224
4,218,421 A * 8/1980 Mack et al. 422/66
D280,015 S * 8/1985 Sarajian D3/203.1
D320,280 S * 9/1991 Holen D24/224
D385,206 S * 10/1997 Marks D10/81

D440,401 S * 4/2001 Pauser et al. D3/276
D448,487 S * 9/2001 Saez et al. D24/216
D491,275 S * 6/2004 Walters et al. D24/224
D600,811 S * 9/2009 Rounds et al. D24/216
D644,425 S * 9/2011 Gilmour D3/203.1
8,066,957 B2 * 11/2011 Chan et al. 422/401
2006/0257284 A1 * 11/2006 Rheinheimer et al. 422/55
2007/0196240 A1 * 8/2007 Boozer et al. 422/102

* cited by examiner

Primary Examiner — Anhdao Doan

(74) *Attorney, Agent, or Firm* — Noam R. Pollack

(57) **CLAIM**

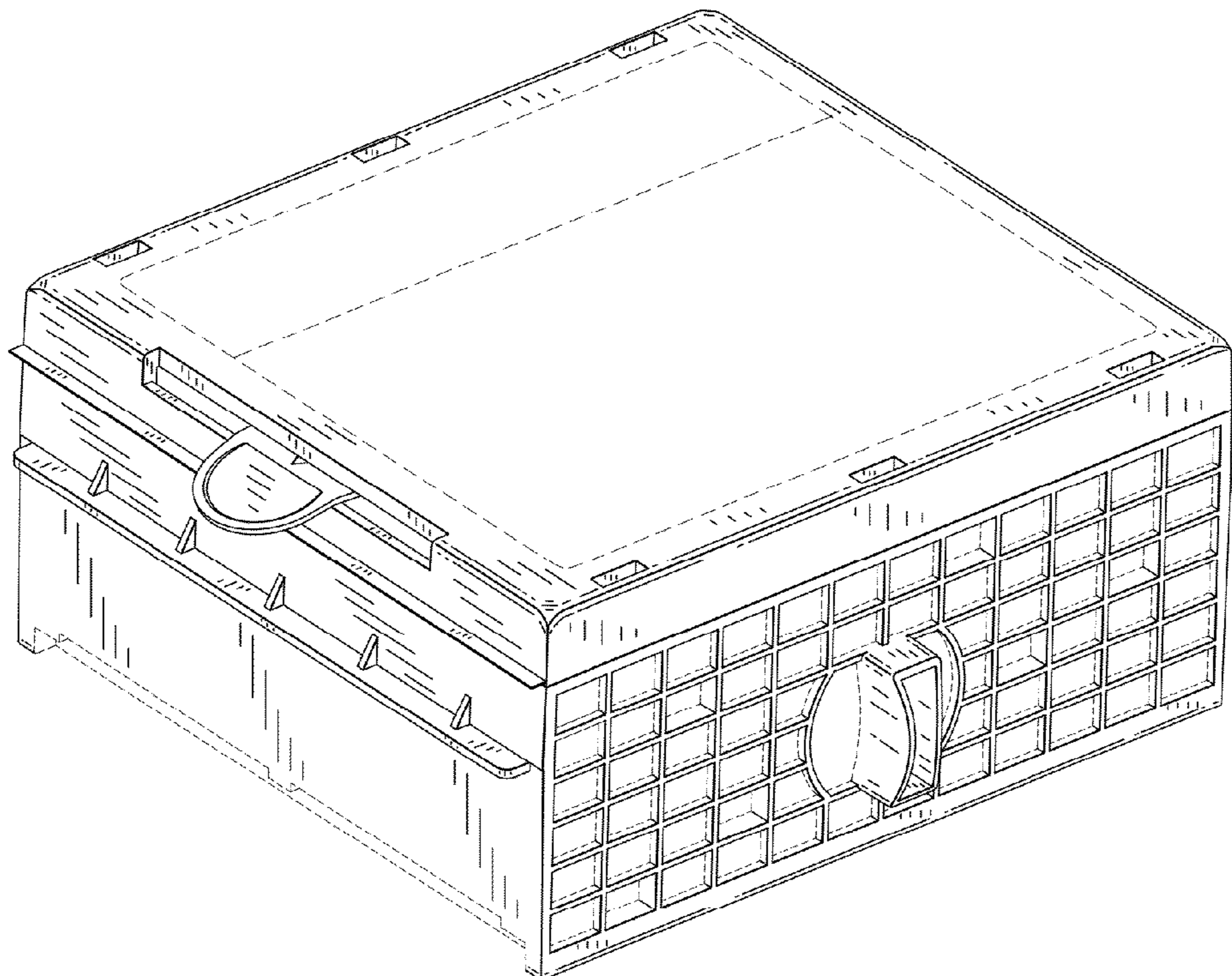
The ornamental design for a reagent card cassette, as shown and described.

DESCRIPTION

FIG. 1 is a top perspective view of a reagent card cassette, showing our new design;
FIG. 2 is a top view thereof;
FIG. 3 is a front view thereof;
FIG. 4 is a rear view thereof;
FIG. 5 is a left side view thereof; and,
FIG. 6 is a right side view thereof.

The bottom view of the design is not shown and forms no part of the claimed design. The broken lines are shown for illustrative purposes only.

1 Claim, 4 Drawing Sheets



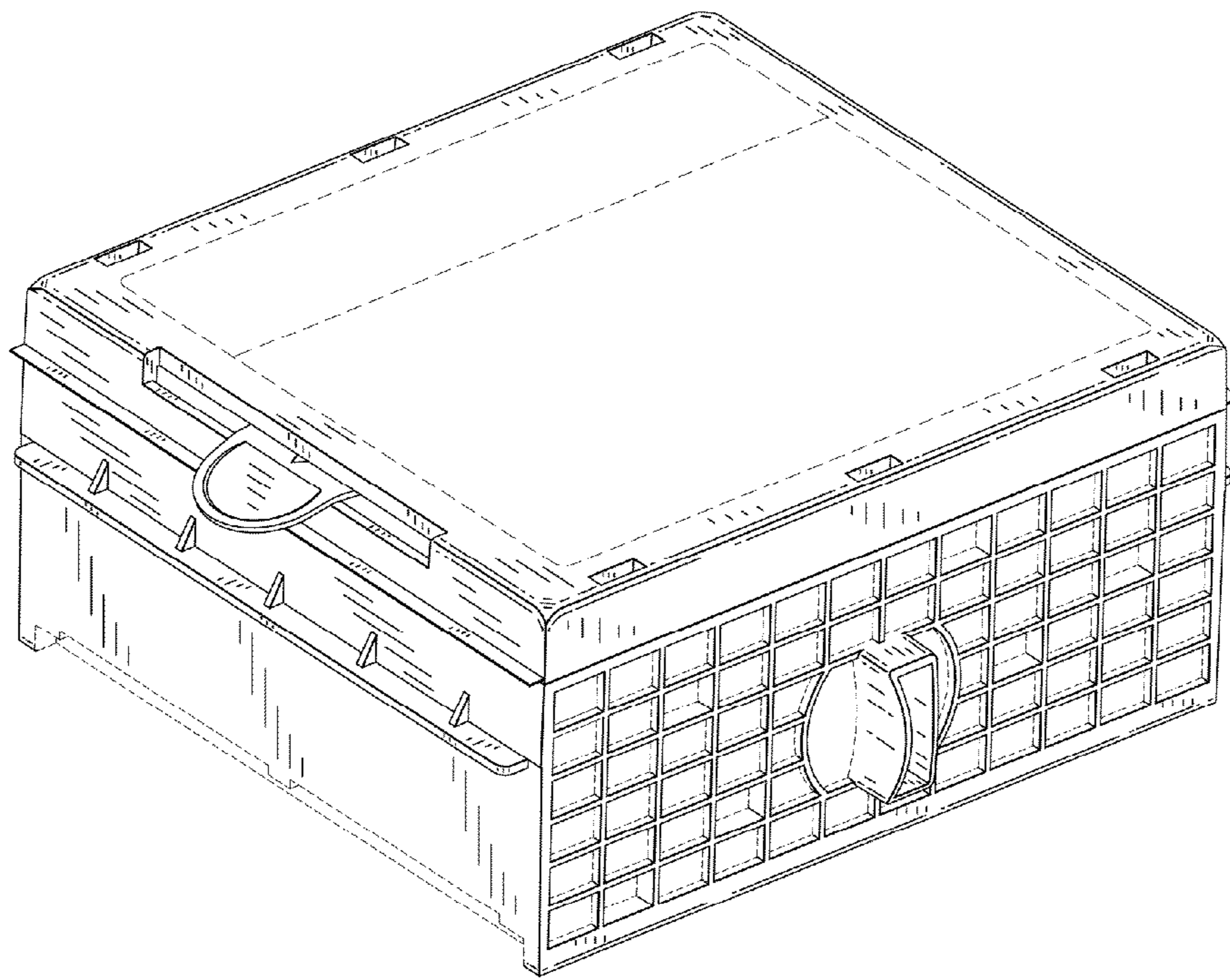


FIG. 1

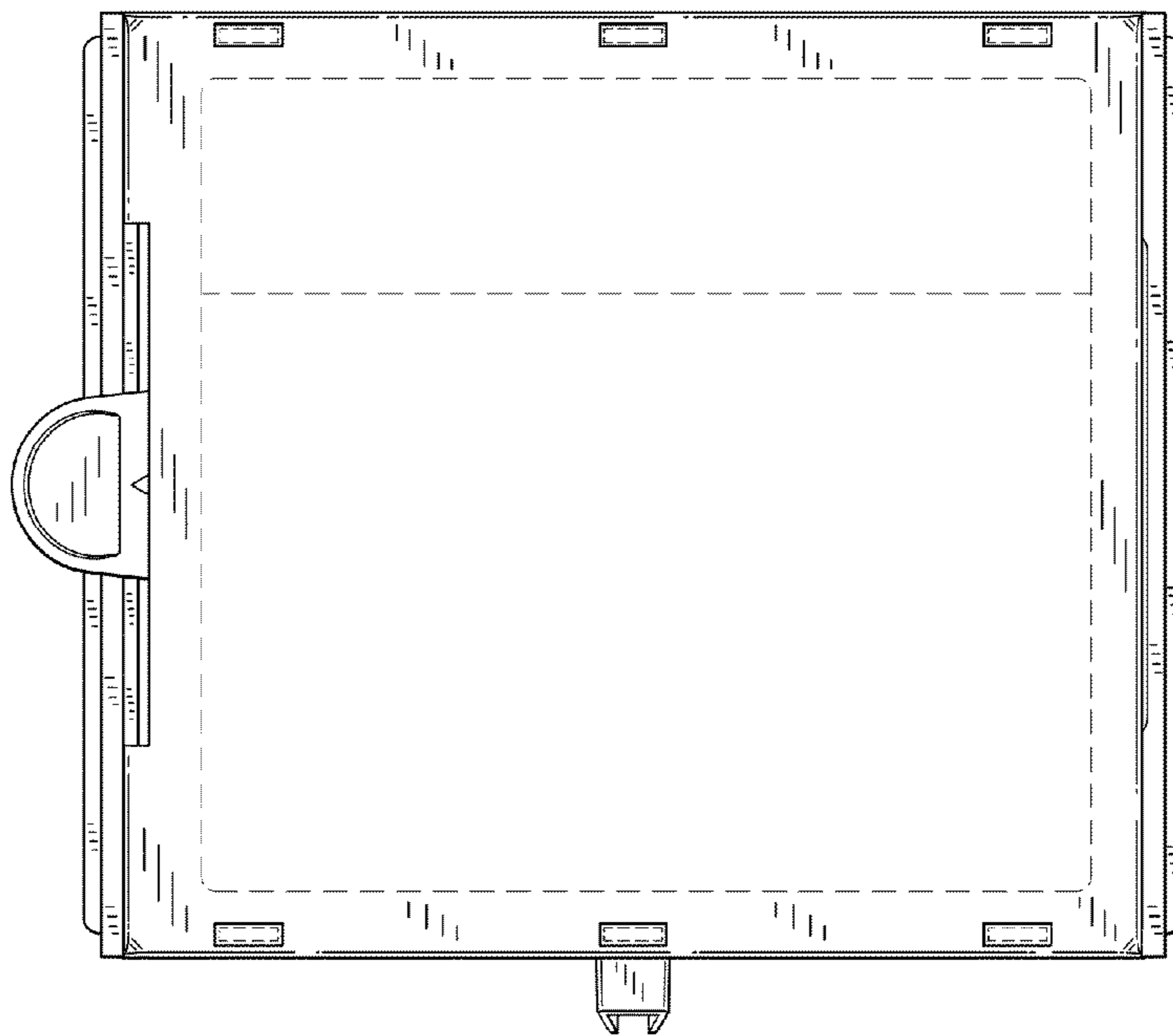


FIG. 2

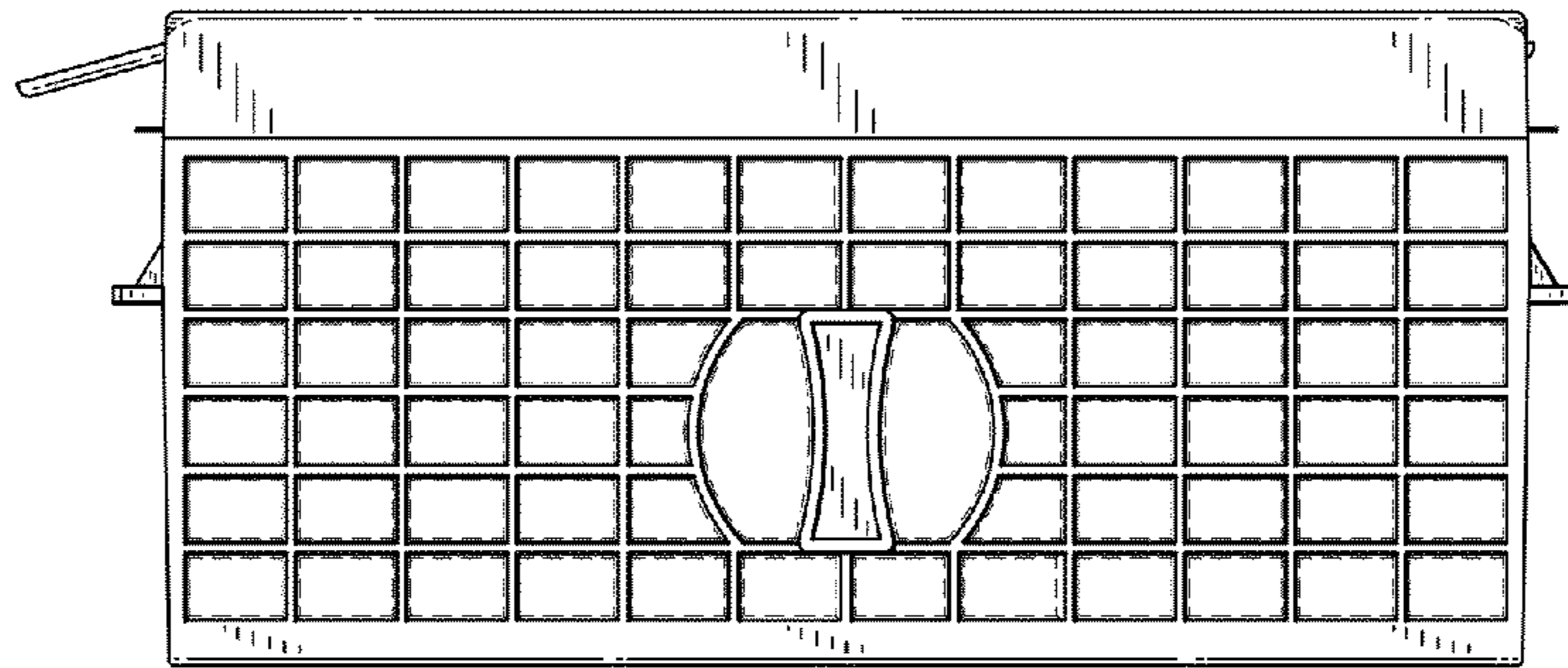


FIG. 3

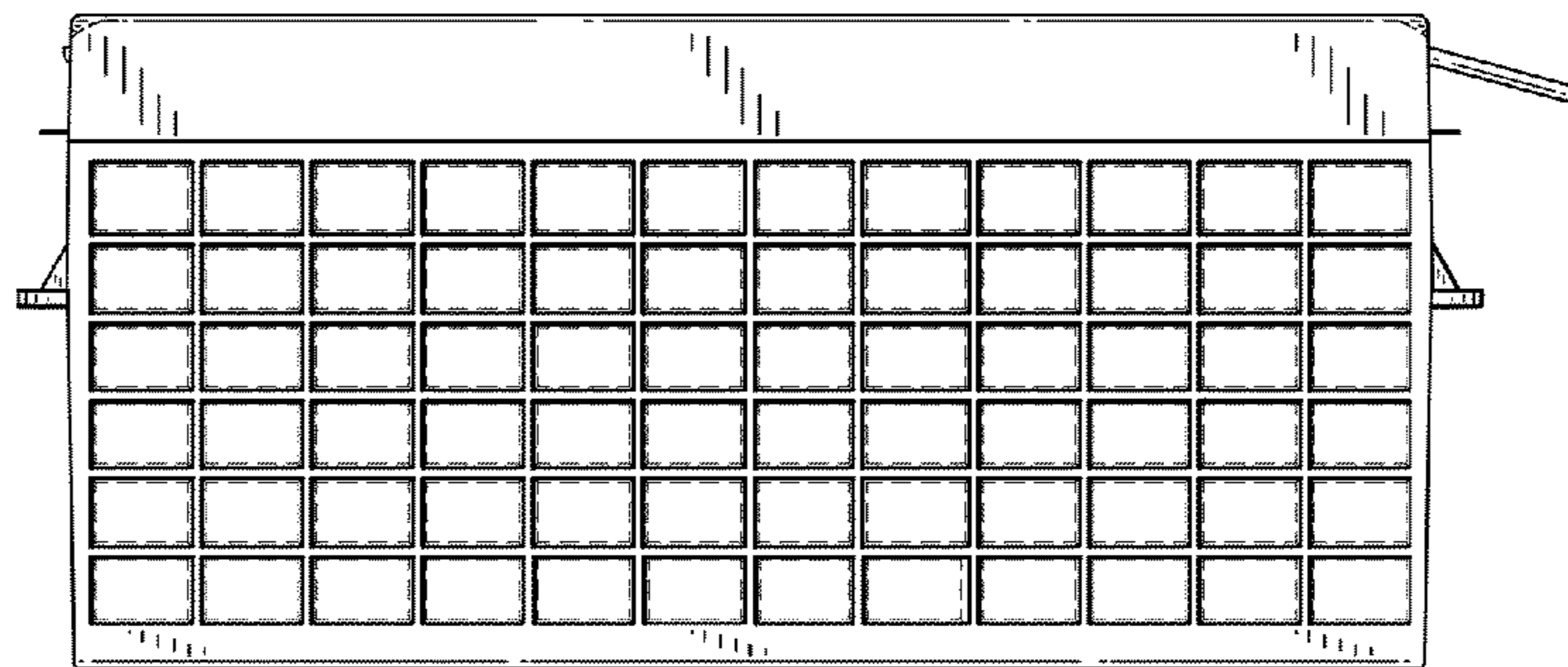


FIG. 4

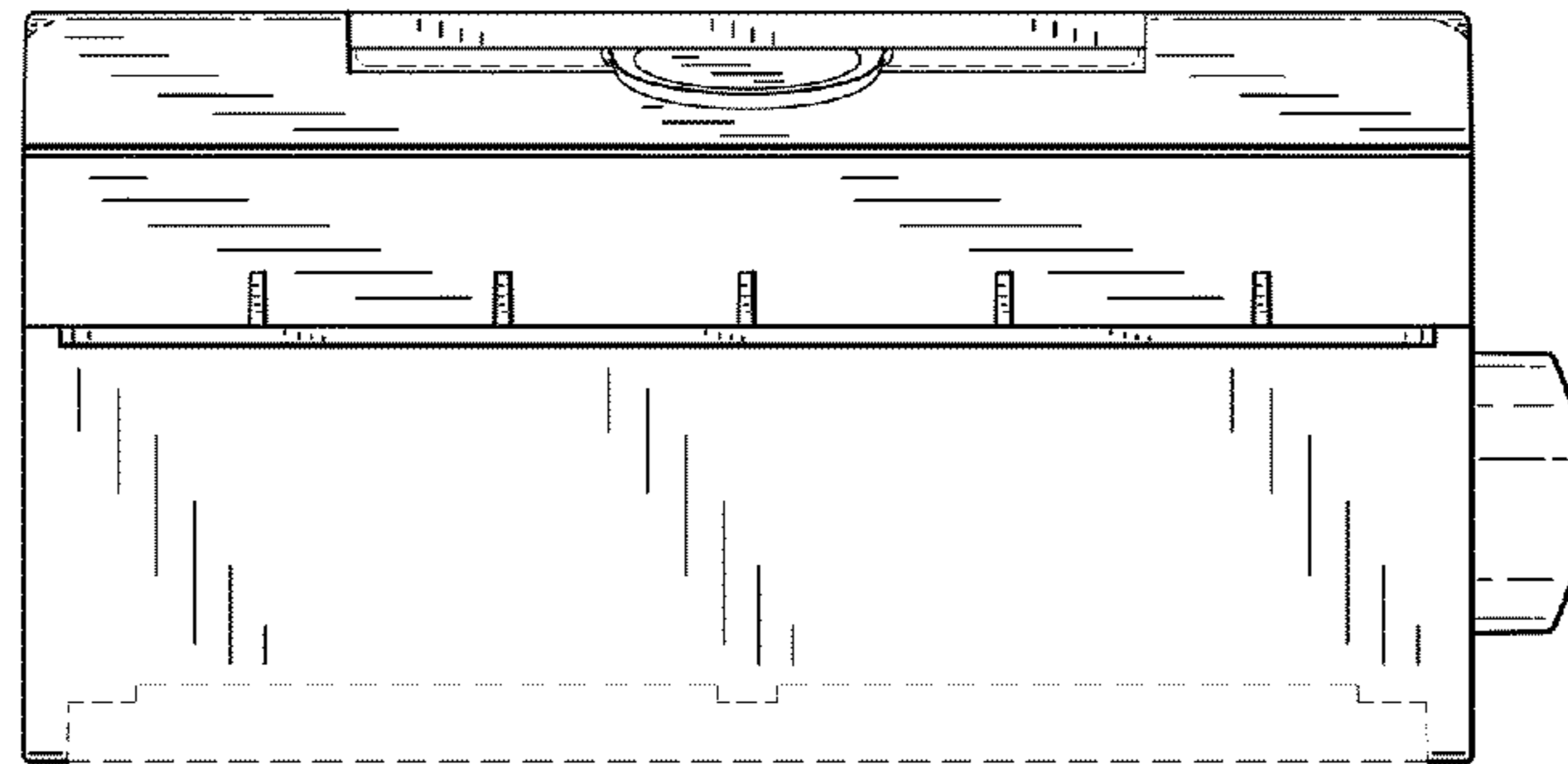


FIG. 5

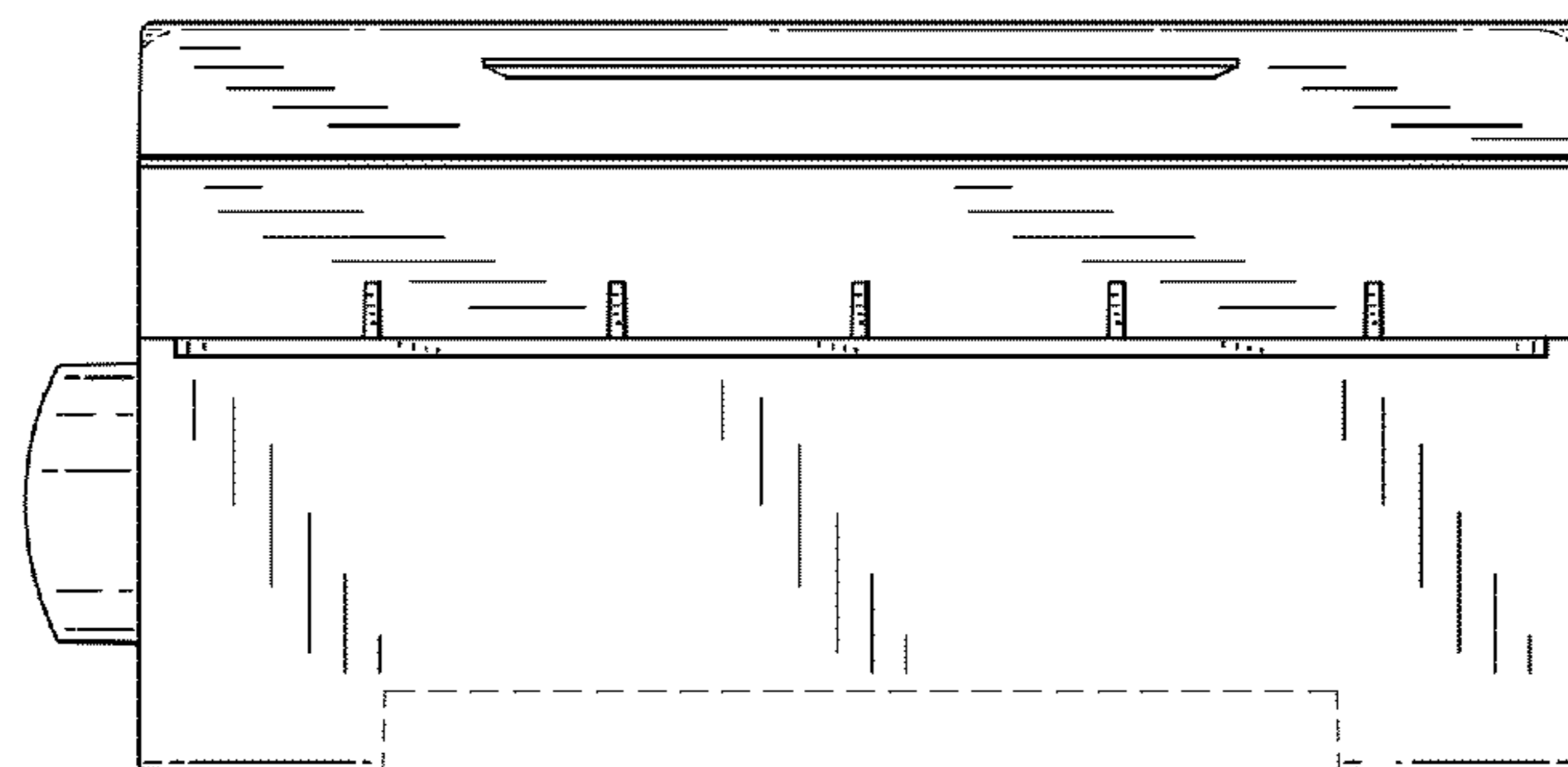


FIG. 6