



US00D670815S

(12) **United States Design Patent**
Py et al.

(10) **Patent No.:** **US D670,815 S**
(45) **Date of Patent:** **** Nov. 13, 2012**

(54) **BOTTLE WITH NIPPLE**

(75) Inventors: **Daniel Py**, Larchmont, NY (US); **Julian Chan**, Milford, CT (US); **Jeffrey Willey**, Brookfield, CT (US)

(73) Assignee: **Medical Instill Technologies, Inc.**, New Milford, CT (US)

(**) Term: **14 Years**

(21) Appl. No.: **29/410,169**

(22) Filed: **Jan. 5, 2012**

Related U.S. Application Data

(60) Division of application No. 29/373,688, filed on Mar. 17, 2011, now Pat. No. Des. 652,938, which is a division of application No. 29/375,051, filed on Sep. 16, 2010, now Pat. No. Des. 636,885, which is a division of application No. 29/357,366, filed on Mar. 11, 2010, now Pat. No. Des. 625,830, which is a continuation of application No. 12/259,279, filed on Oct. 27, 2008, and a continuation of application No. 12/259,284, filed on Oct. 27, 2008, and a continuation of application No. 12/259,290, filed on Oct. 27, 2008.

(51) **LOC (9) Cl.** **07-01**

(52) **U.S. Cl.** **D24/197**

(58) **Field of Classification Search** D24/193-199, D24/117; D7/510-511, 533-534; D9/500, D9/503-504, 547; 215/11.1-11.6, 387, 398, 215/DIG. 8; 219/202

See application file for complete search history.

(56) **References Cited**

U.S. PATENT DOCUMENTS

714,133 A 11/1902 Blatin
1,199,025 A 9/1916 Worlock

(Continued)

FOREIGN PATENT DOCUMENTS

EM 000400734-0001 11/2005

(Continued)

OTHER PUBLICATIONS

International Search Report and Written Opinion of the International Searching Authority for International Application No. PCT/US2008/81393.

(Continued)

Primary Examiner — Susan E Krakower

(74) *Attorney, Agent, or Firm* — McCarter & English, LLP

(57) **CLAIM**

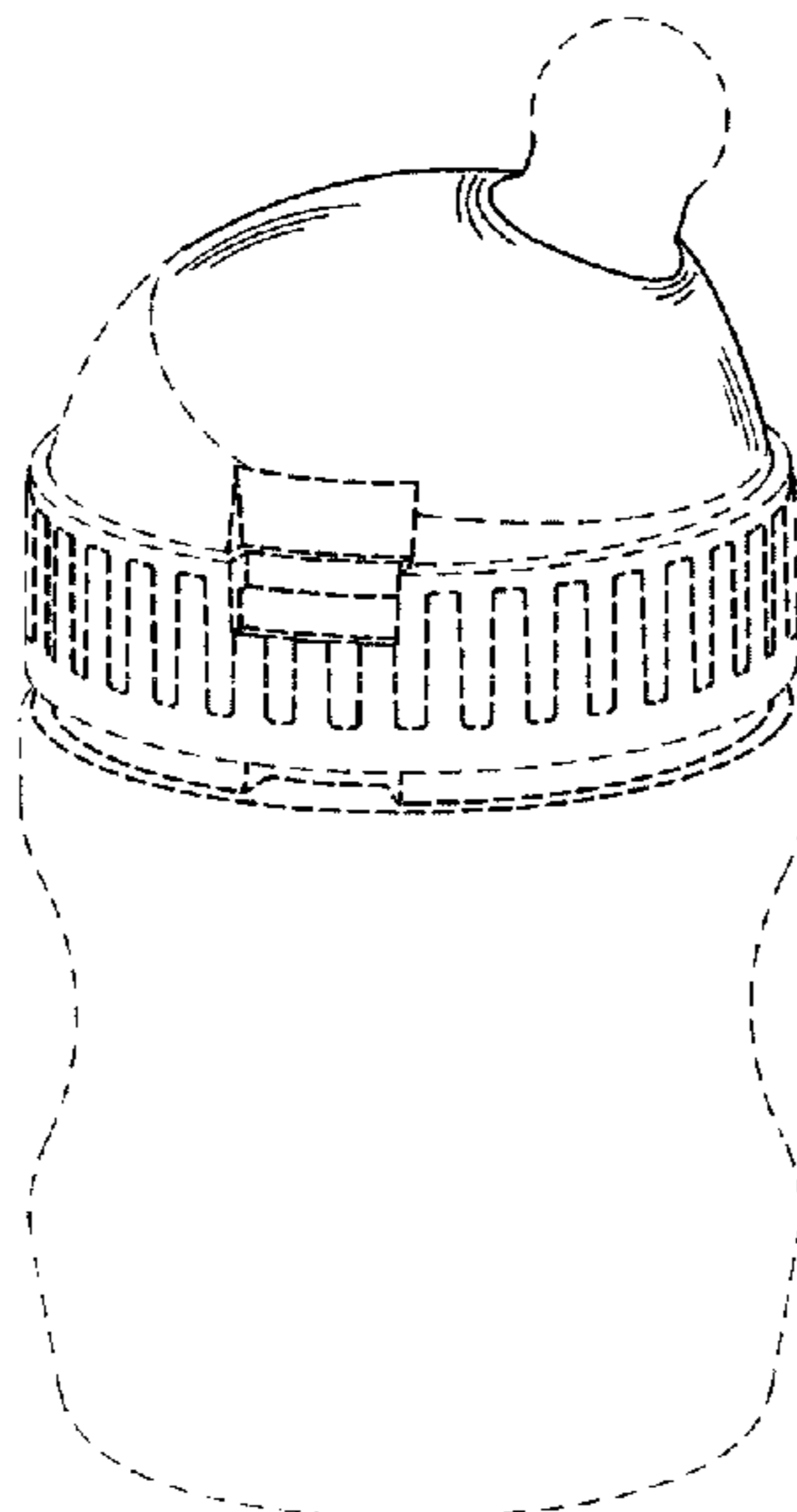
The ornamental design for a bottle with nipple, as shown and described.

DESCRIPTION

FIG. 1 is a side perspective view of a bottle with nipple;
FIG. 2 is a left side elevational view of the bottle with nipple of FIG. 1;
FIG. 3 is a right side elevational view of the bottle with nipple of FIG. 1;
FIG. 4 is a rear elevational view of the bottle with nipple of FIG. 1;
FIG. 5 is a front elevational view of the bottle with nipple of FIG. 1;
FIG. 6 is a top plan view of the bottle with nipple of FIG. 1;
and,
FIG. 7 is a bottom plan view of the bottle with nipple of FIG. 1.

The broken lines appearing in the drawings are for the purpose of illustrating portions of the article in which the design is embodied. Portions of the article appearing in broken lines form no part of the claimed design.

1 Claim, 4 Drawing Sheets



US D670,815 S

Page 2

U.S. PATENT DOCUMENTS

D60,567 S 3/1922 Palmer
1,440,235 A 12/1922 Orson
1,620,329 A 3/1927 Donaldson
1,733,184 A 10/1929 Decker
1,913,460 A * 6/1933 Smetana 222/142.4
2,014,236 A * 9/1935 McNamara 100/125
2,079,611 A * 5/1937 Harvey 219/202
2,105,170 A 1/1938 Tarrant
2,150,835 A 3/1939 Kazimirow
2,388,915 A 11/1945 Heilborn
2,812,764 A 11/1957 Crisp
2,822,102 A 2/1958 Holland
5,101,991 A 4/1992 Morifuji et al.
D371,847 S 7/1996 Francisco
D382,059 S 8/1997 Maya et al.
5,690,679 A 11/1997 Prentiss
D406,648 S 3/1999 Frazier
6,098,795 A 8/2000 Mollstam et al.
D440,317 S 4/2001 Tollman
6,257,428 B1 7/2001 Caola
D464,434 S 10/2002 Morano
6,481,571 B1 11/2002 Kelders et al.
6,499,615 B1 12/2002 Szieff et al.
6,508,379 B1 1/2003 Nagelvoort et al.
D479,333 S 9/2003 Turnbough
6,616,319 B2 9/2003 Renz
6,745,915 B2 6/2004 Rees
D511,385 S 11/2005 Lieberman et al.
6,971,551 B2 12/2005 Widgery
7,204,380 B2 4/2007 Webb et al.
D547,874 S * 7/2007 Horie et al. D24/194
D551,021 S * 9/2007 Rousso et al. D7/510
D551,904 S * 10/2007 Rousso et al. D7/510
D564,665 S 3/2008 Kim
D599,481 S 9/2009 Drummond
D599,482 S 9/2009 Drummond

7,637,382 B2 12/2009 Kraus et al.
D609,355 S 2/2010 Strickler et al.
D617,465 S 6/2010 Hakim
D625,830 S 10/2010 Py et al.
D635,683 S 4/2011 Shaikh et al.
D635,684 S * 4/2011 Shaikh et al. D24/197
D636,885 S 4/2011 Py et al.
D639,969 S 6/2011 Pukall et al.
D642,436 S 8/2011 Schofield et al.
D642,437 S 8/2011 Schofield et al.
D642,865 S 8/2011 Schofield et al.
D644,334 S * 8/2011 Py D24/197
D652,938 S * 1/2012 Py et al. D24/197
2002/0035997 A1 3/2002 Shapira
2004/0124168 A1 7/2004 Silver
2005/0194341 A1 9/2005 Houraney
2006/0137998 A1 6/2006 Spector et al.
2007/0283666 A1 12/2007 Py et al.
2008/0054001 A1 3/2008 Roth et al.
2008/0099422 A1 5/2008 Rees
2009/0139949 A1 6/2009 Py
2009/0139995 A1 6/2009 Py

FOREIGN PATENT DOCUMENTS

EM 001171391-0001 10/2009
GB 2 164 325 A 3/1986
WO WO 2007/120719 A2 10/2007

OTHER PUBLICATIONS

International Search Report and Written Opinion of the International Searching Authority for International Application No. PCT/US2008/81395.

International Search Report and Written Opinion of the International Searching Authority for International Application No. PCT/US2008/81396.

* cited by examiner

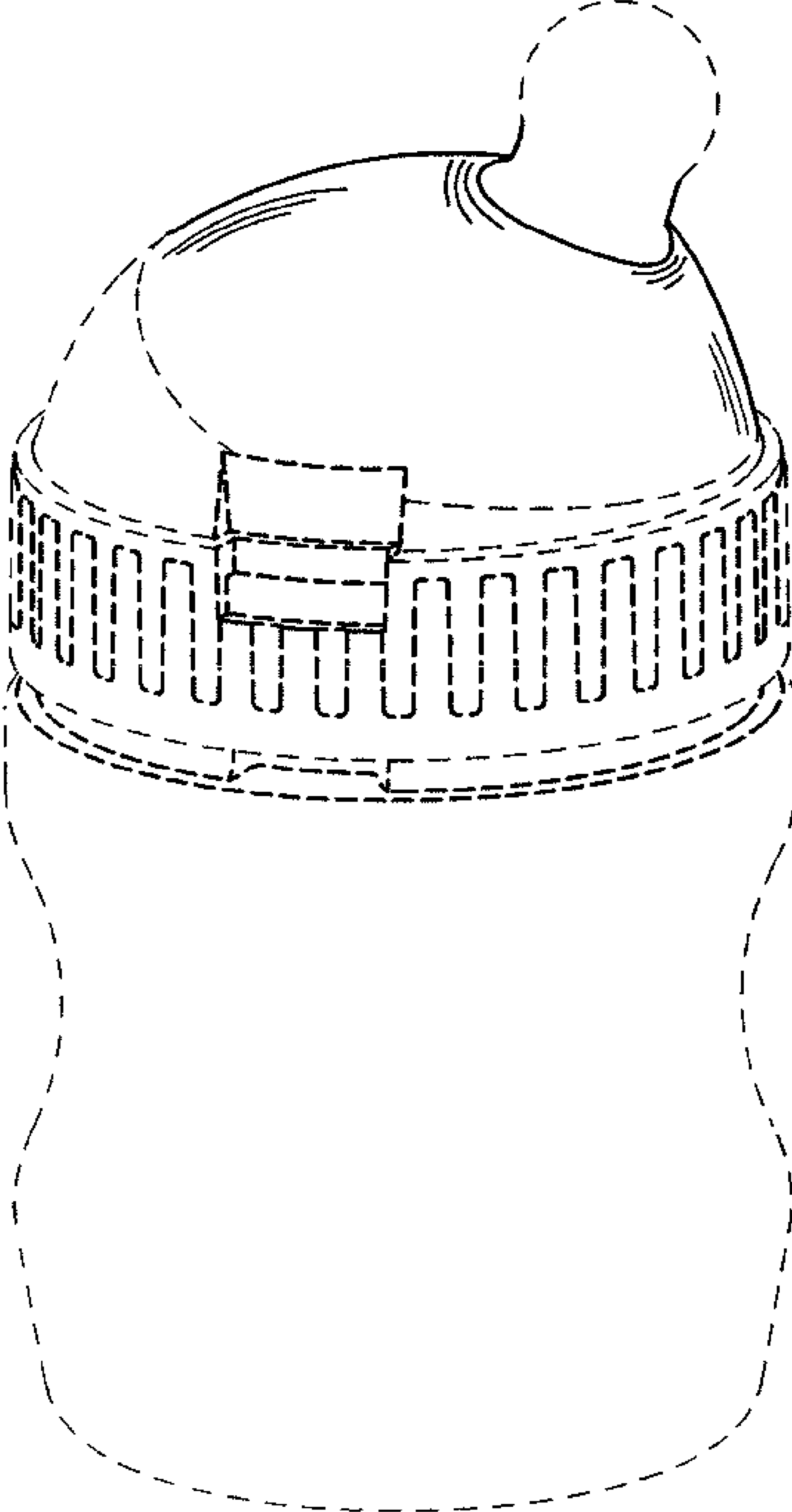


FIG. 1

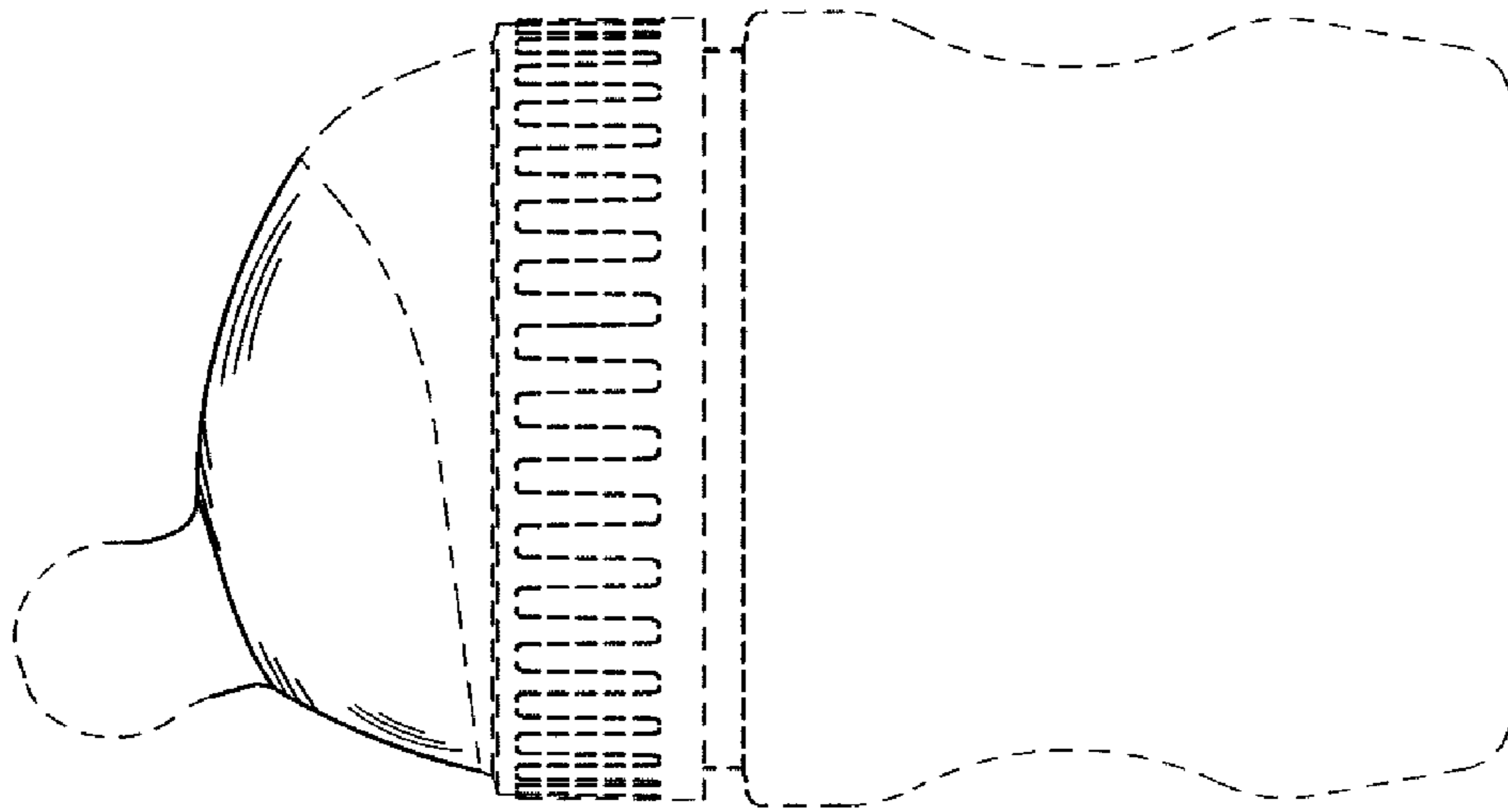


FIG. 3

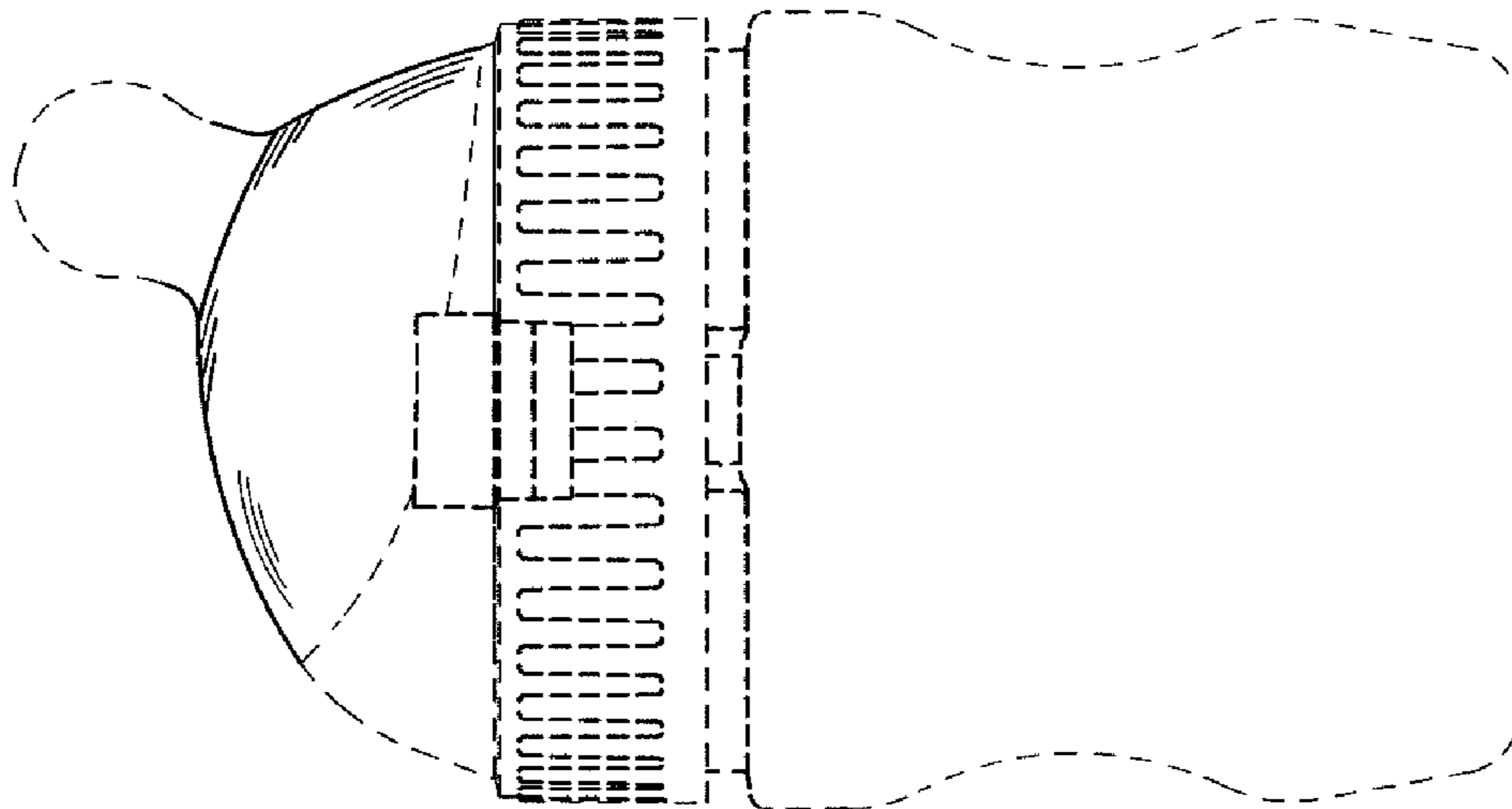


FIG. 2

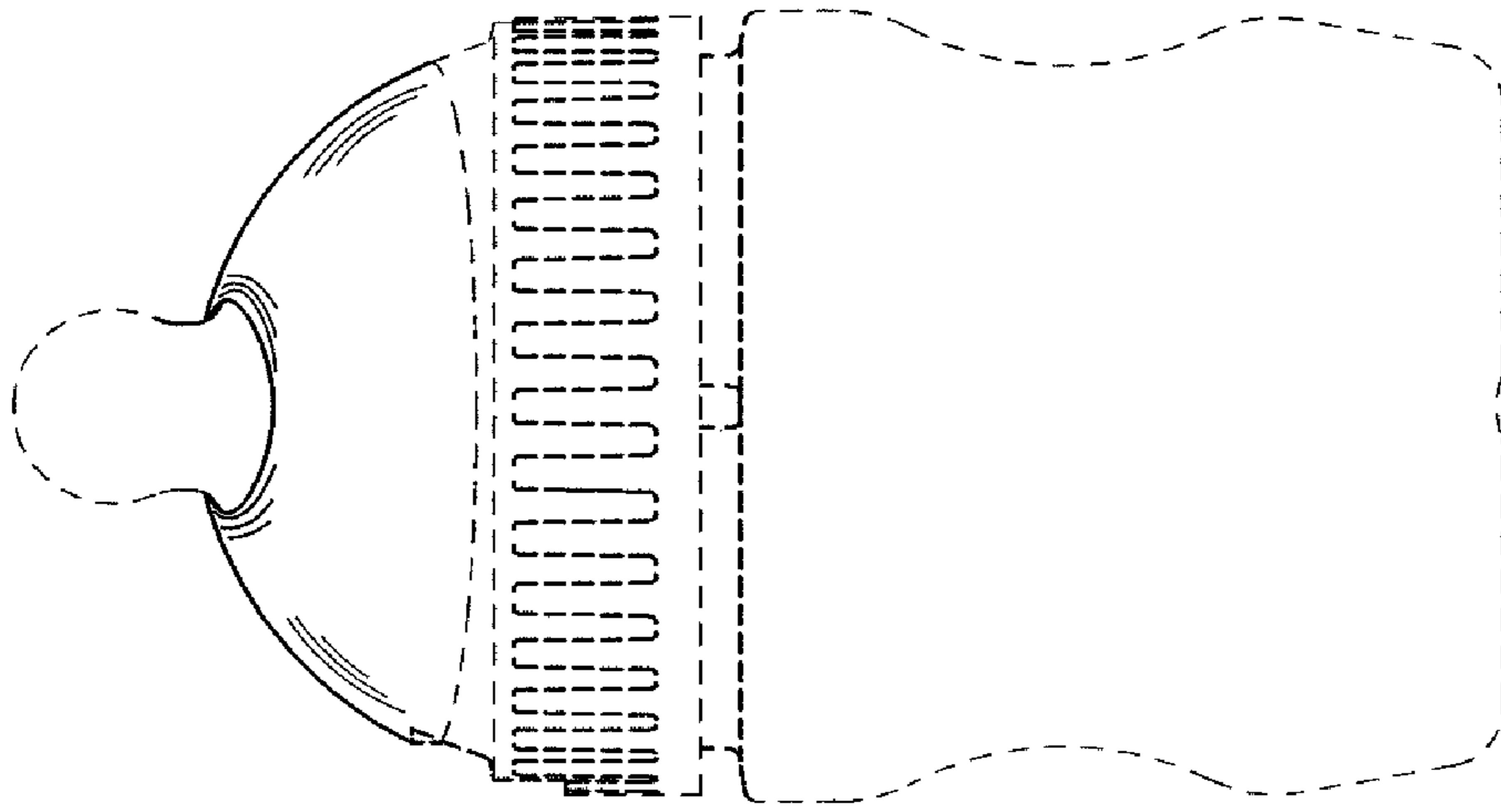


FIG. 4

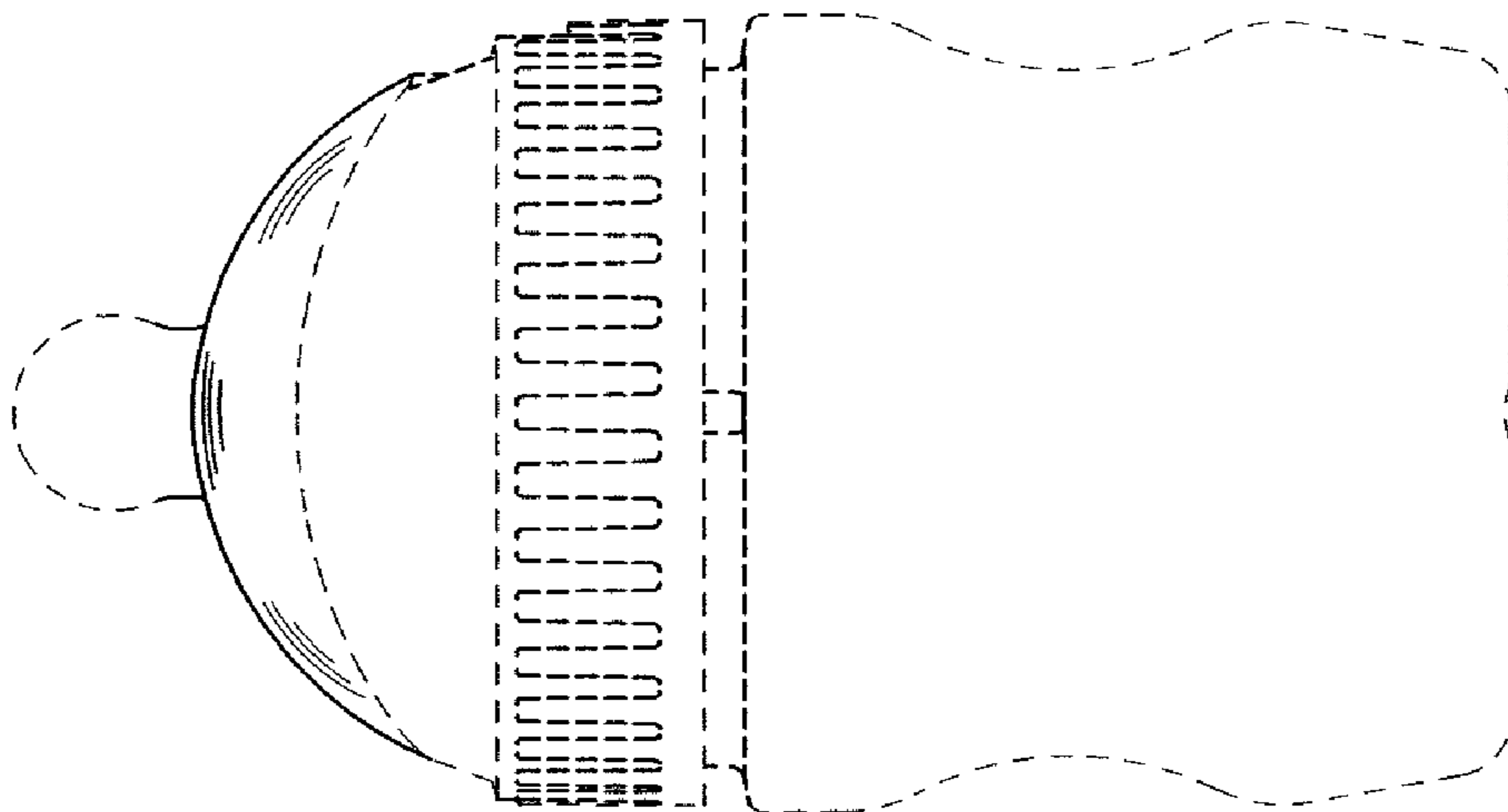


FIG. 5

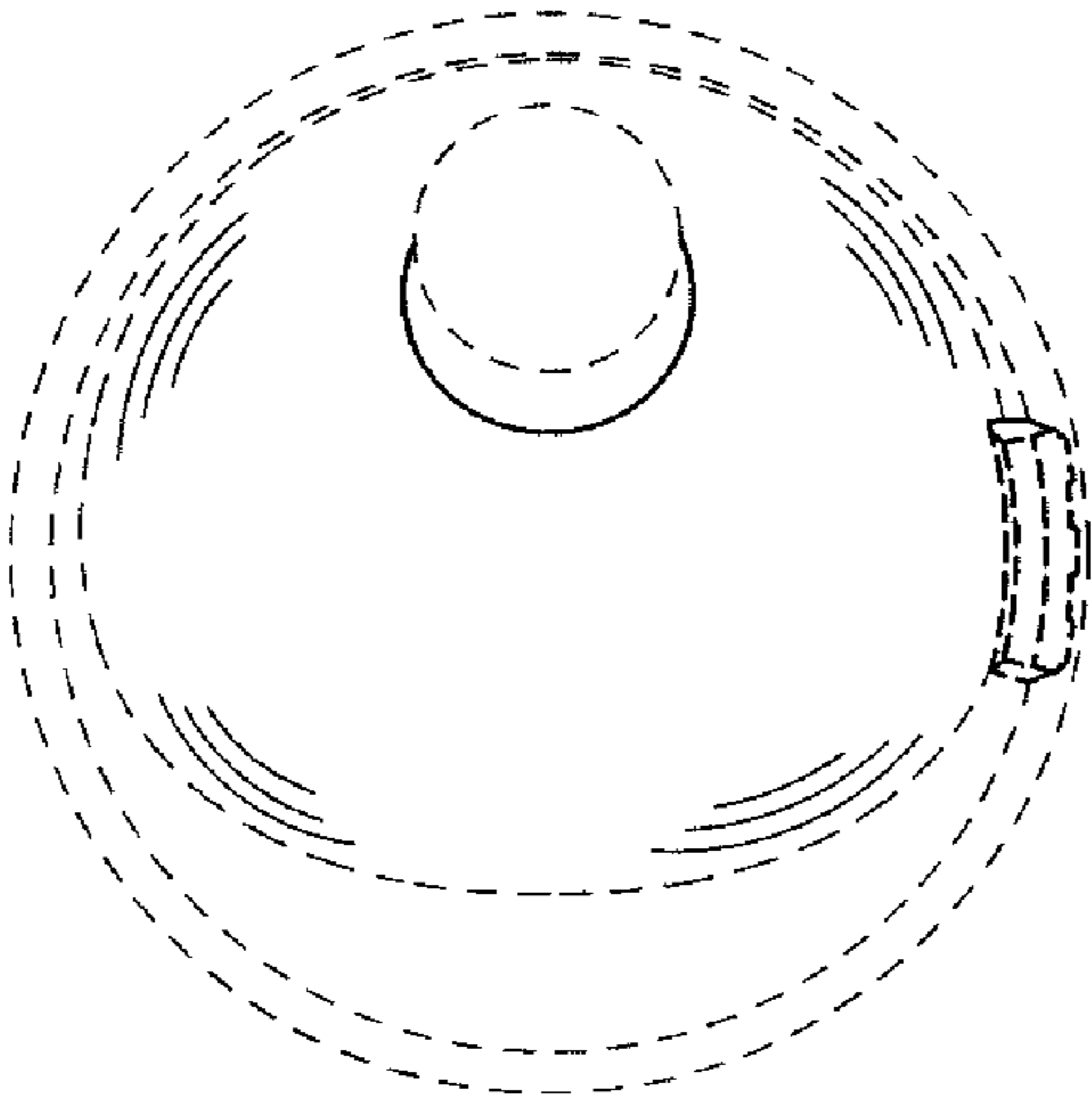


FIG. 6

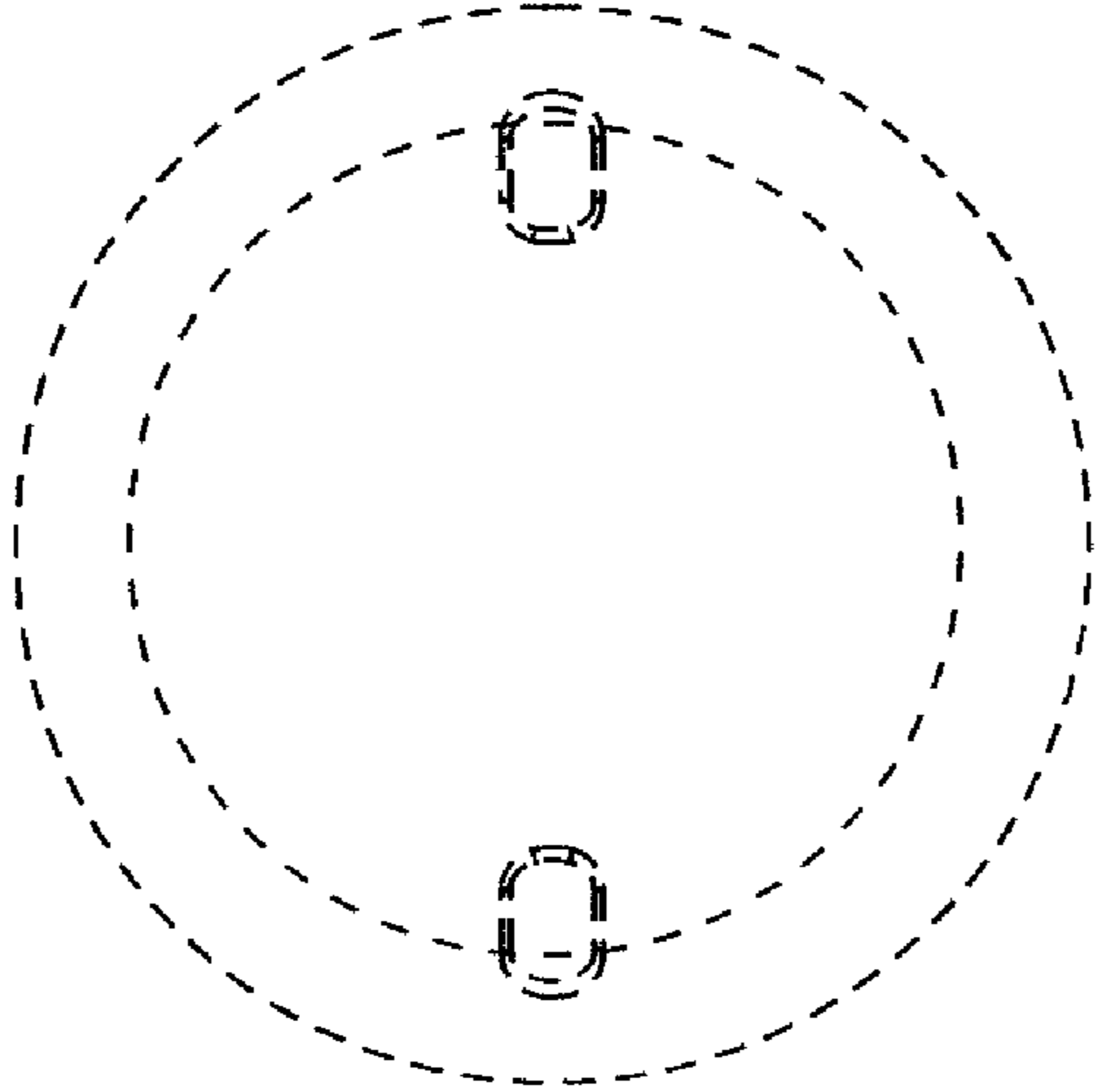


FIG. 7