



US00D670814S

(12) **United States Design Patent**
Kwon

(10) **Patent No.:** **US D670,814 S**

(45) **Date of Patent:** **** Nov. 13, 2012**

(54) **HEARING AID**

(75) Inventor: **You Jung Kwon**, Gwangju (KR)

(73) Assignee: **Algorkorea Co., Ltd.**, Gwangju (KR)

(**) Term: **14 Years**

(21) Appl. No.: **29/371,870**

(22) Filed: **Nov. 16, 2011**

(51) **LOC (9) Cl.** **24-99**

(52) **U.S. Cl.** **D24/174**

(58) **Field of Classification Search** D24/173-175,
D24/151; D14/205, 223, 224, 249, 206,
D14/225, 226; 381/23.1, 312, 322-324,
381/328, 330, 380, 381; 181/135
See application file for complete search history.

(56) **References Cited**

U.S. PATENT DOCUMENTS

6,496,587 B1 * 12/2002 Mueller 381/330
D568,480 S * 5/2008 Lockenwitz D24/174

D595,856 S * 7/2009 Tronza D24/174
D635,264 S * 3/2011 Dubs D24/174
D647,204 S * 10/2011 Borregaard D24/175
2007/0183612 A1 * 8/2007 Ochsenbein et al. 381/322
2011/0235834 A1 * 9/2011 Brimhall et al. 381/314

* cited by examiner

Primary Examiner — Anhdao Doan

(74) *Attorney, Agent, or Firm* — Rabin & Berdo, P.C.

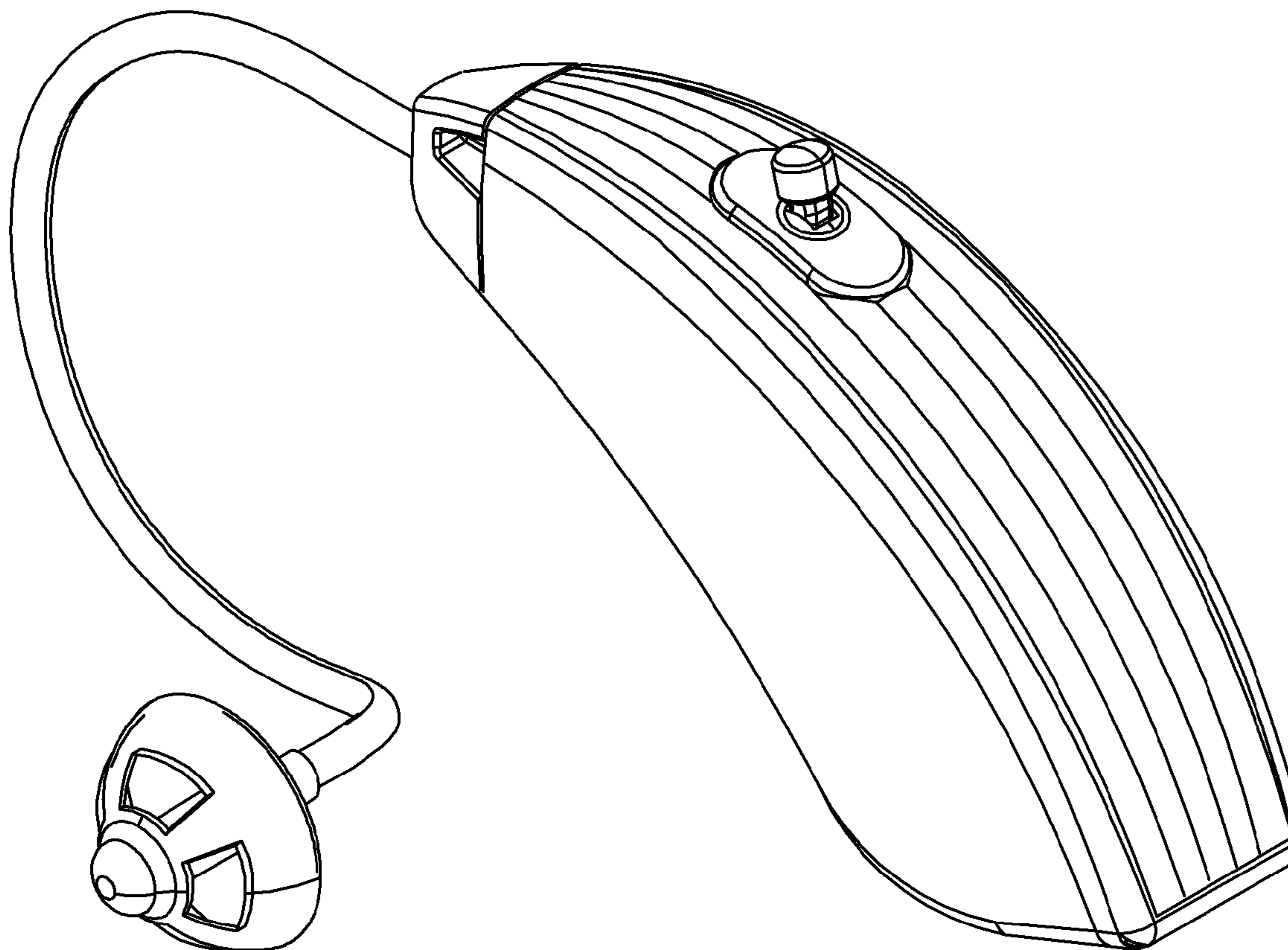
(57) **CLAIM**

The ornamental design for a hearing aid, as shown and described.

DESCRIPTION

FIG. 1 is a front view thereof;
FIG. 2 is a rear view thereof;
FIG. 3 is a right side view thereof;
FIG. 4 is a left side view thereof;
FIG. 5 is a top plan view thereof;
FIG. 6 is a bottom plan view thereof; and,
FIG. 7 is a perspective view thereof.

1 Claim, 6 Drawing Sheets



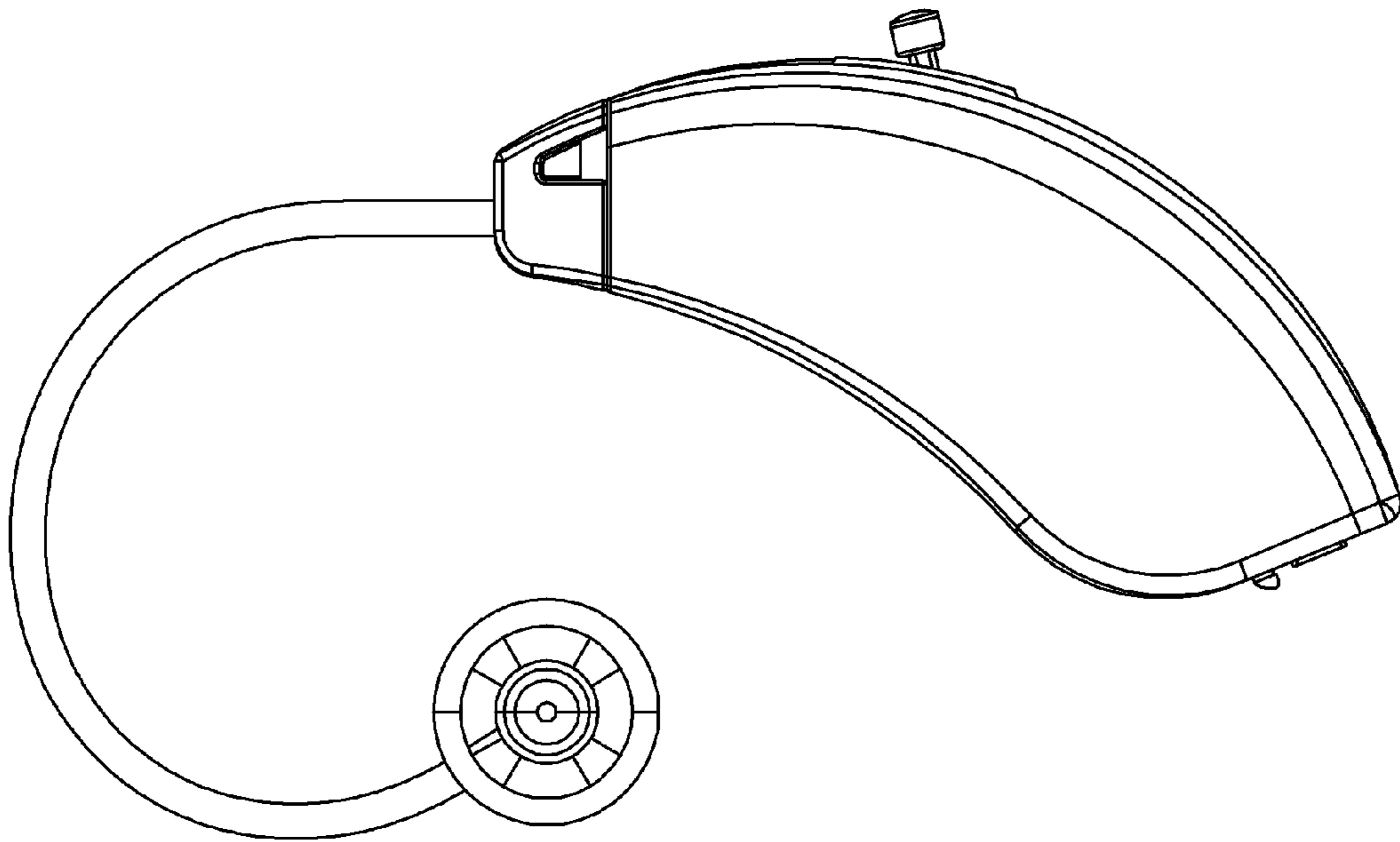


FIG. 1

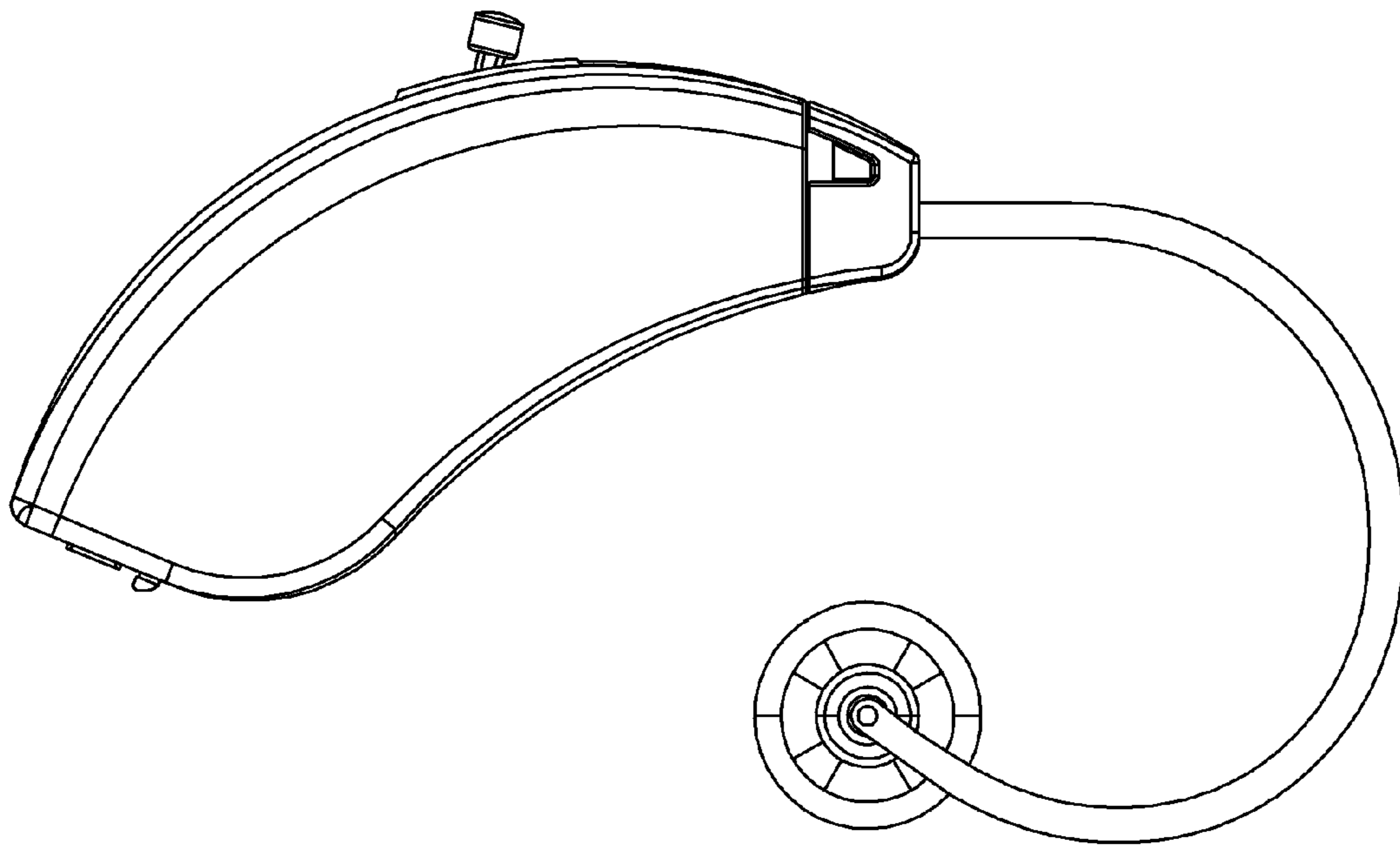


FIG. 2

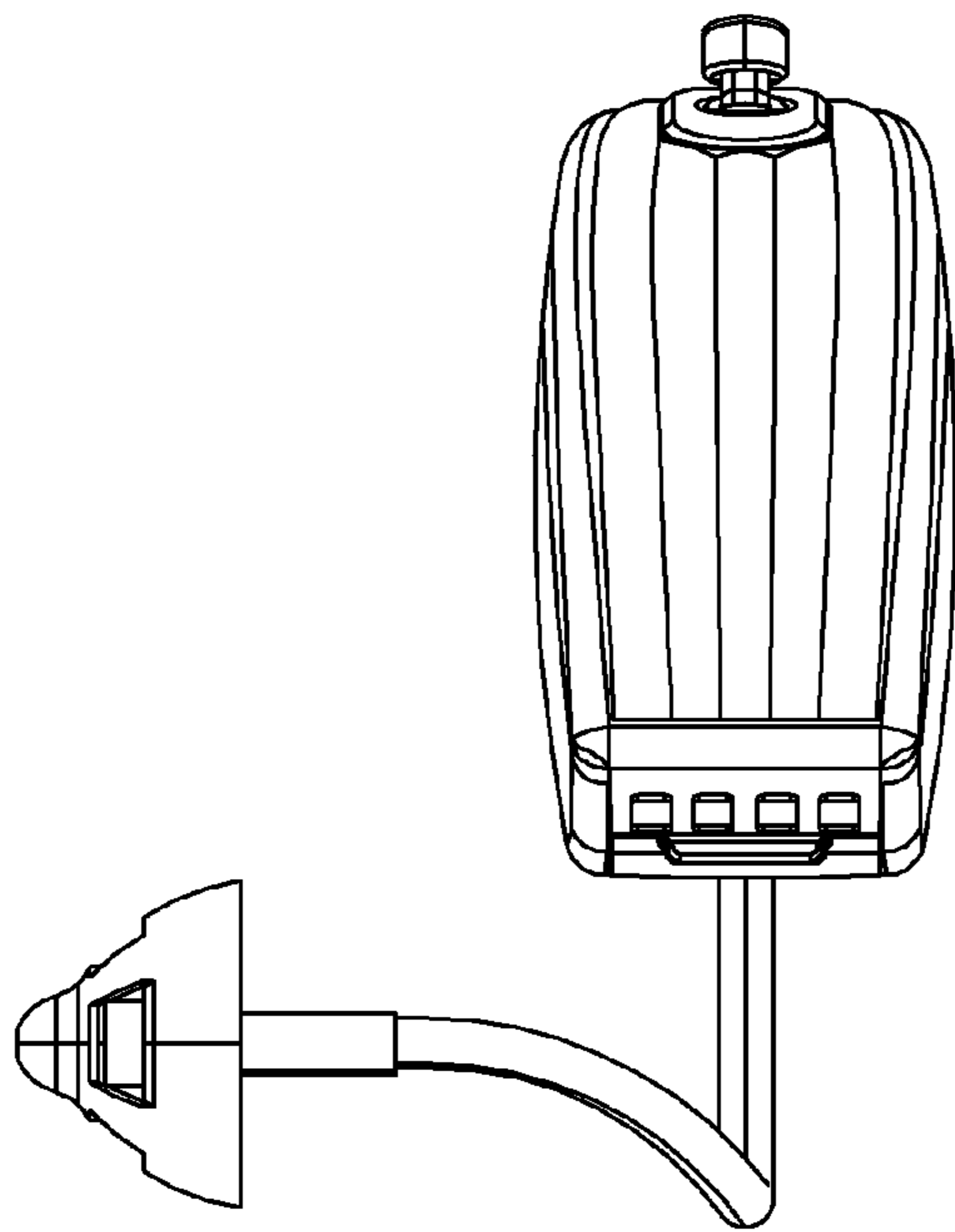


FIG. 3

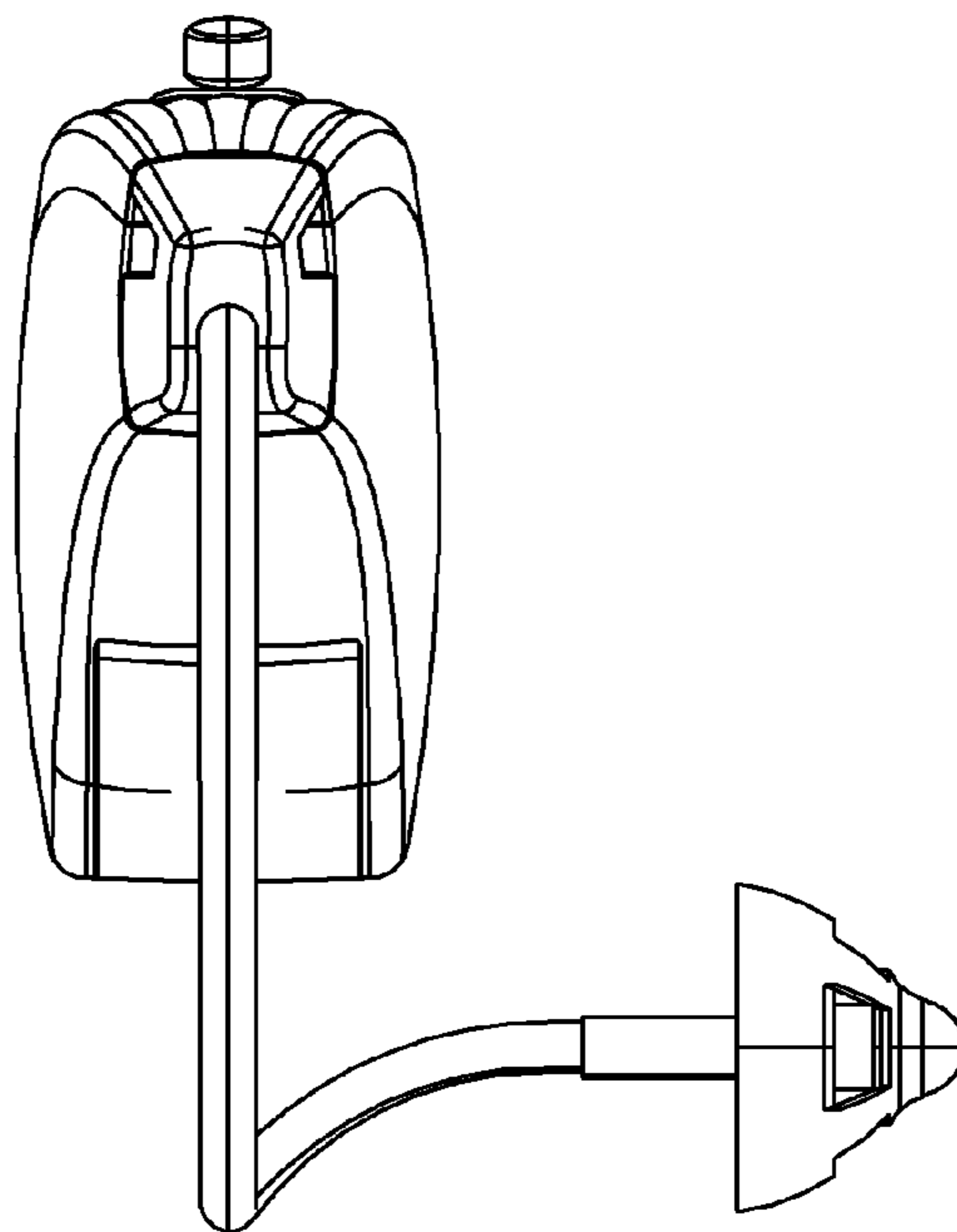


FIG. 4

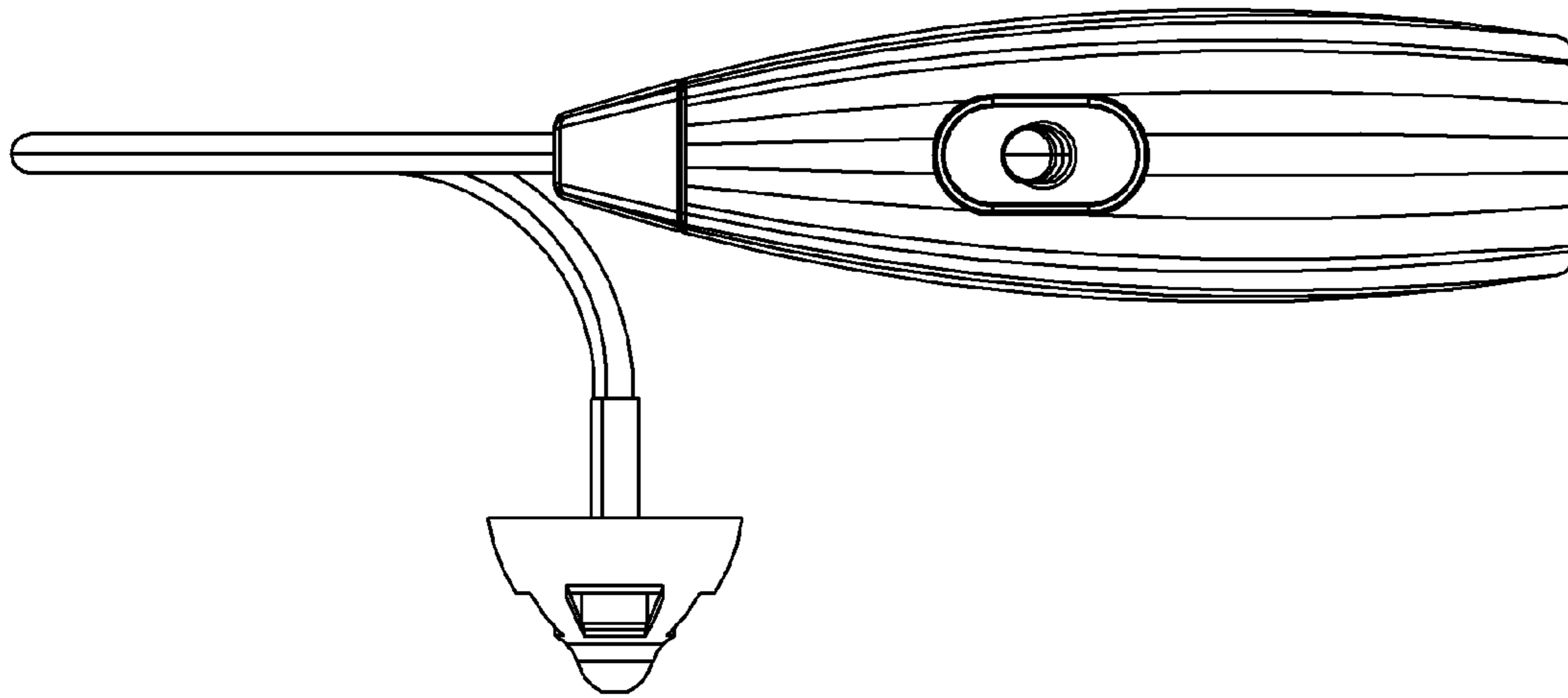


FIG. 5

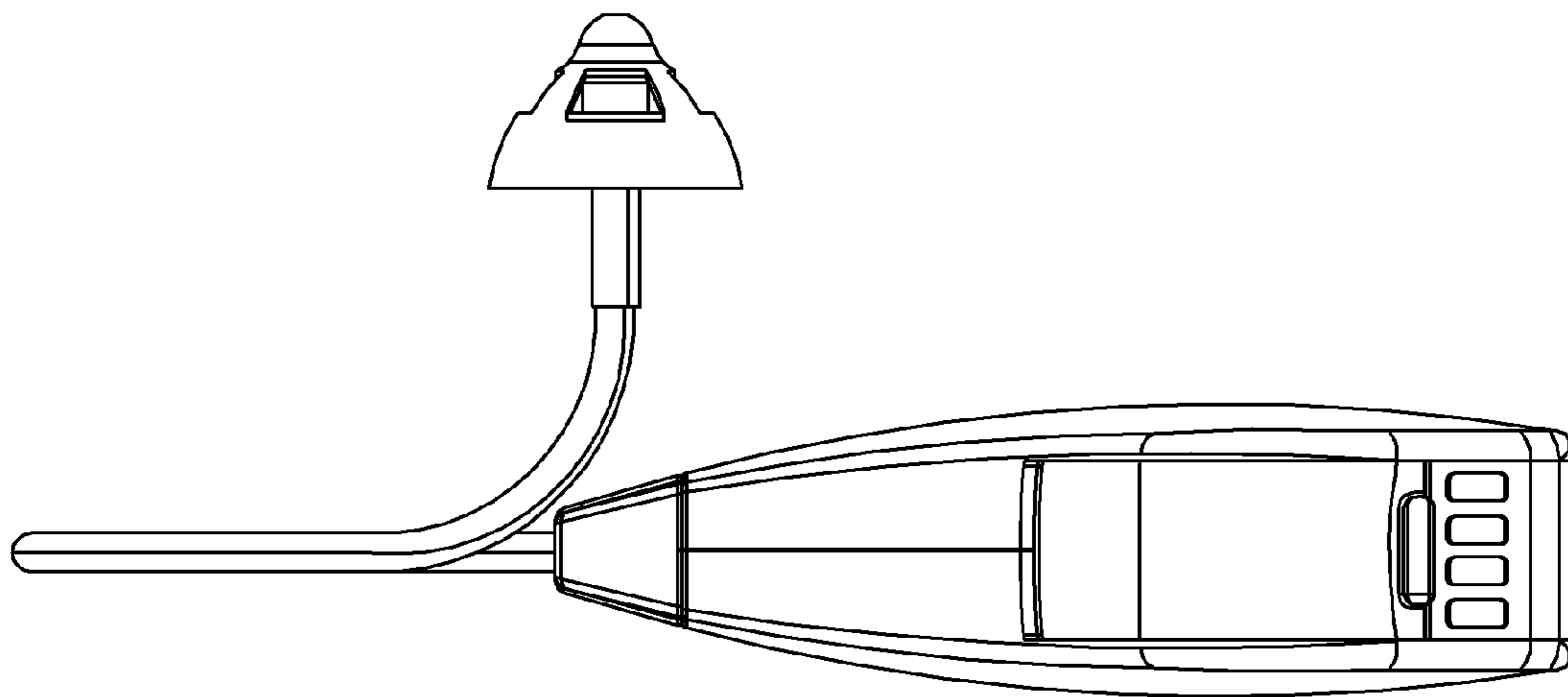


FIG. 6

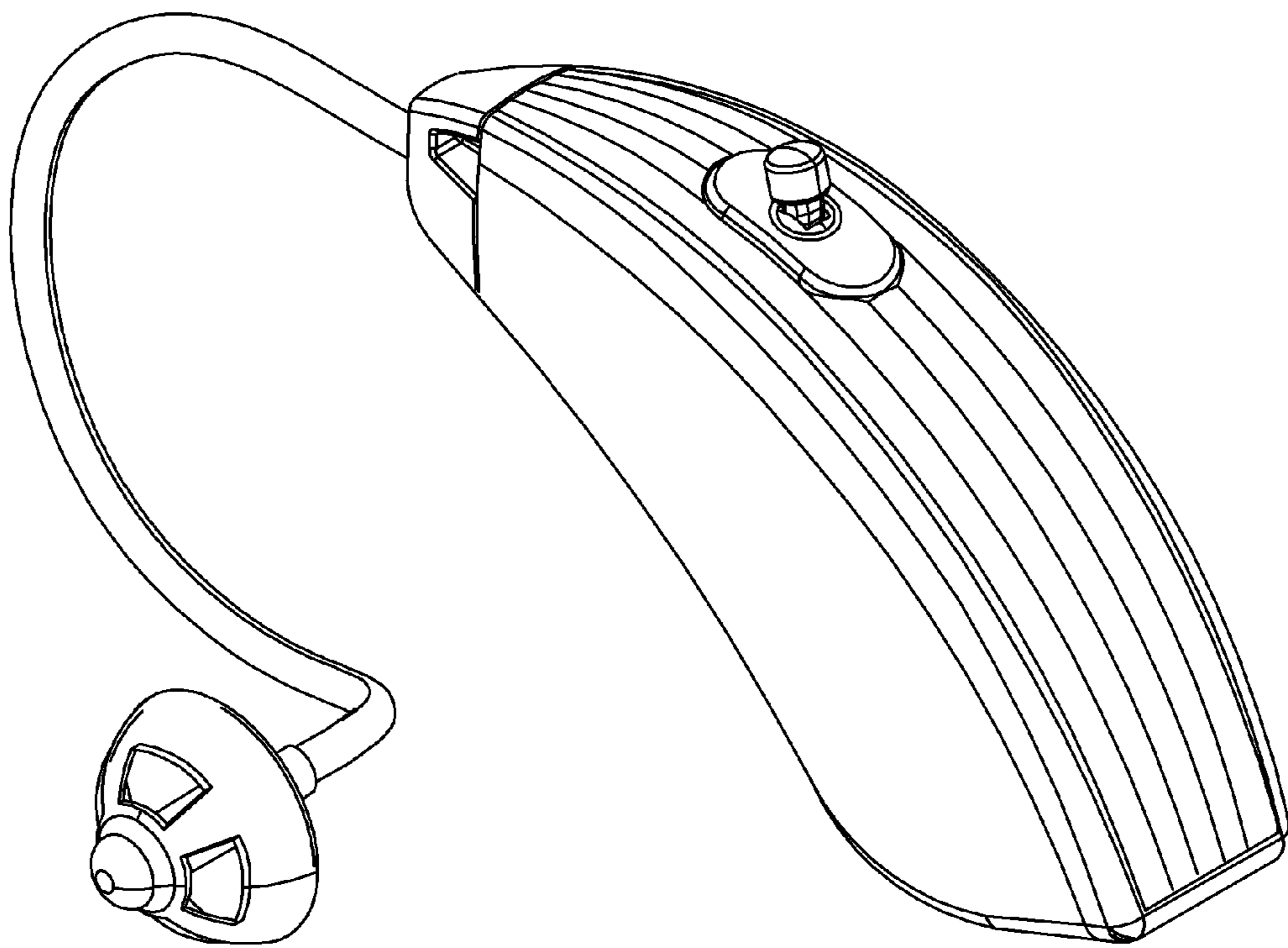


FIG. 7