



US00D670813S

(12) **United States Design Patent**  
**Sommer et al.**

(10) **Patent No.:** **US D670,813 S**

(45) **Date of Patent:** **\*\* Nov. 13, 2012**

(54) **TONOMETER**

(75) Inventors: **Lisa Sommer**, Rombach (CH); **Martin Iseli**, Bern (CH)

(73) Assignee: **Haag-Streit AG**, Koeniz (CH)

(\*\*) Term: **14 Years**

(21) Appl. No.: **29/365,780**

(22) Filed: **Jul. 14, 2010**

**Related U.S. Application Data**

(62) Division of application No. 29/300,745, filed on May 2, 2008, now Pat. No. Des. 621,941.

(30) **Foreign Application Priority Data**

Nov. 8, 2007 (CH) ..... 134567

(51) **LOC (9) Cl.** ..... **24-01**

(52) **U.S. Cl.** ..... **D24/172**

(58) **Field of Classification Search** ..... D24/172,  
D24/186; 351/209-212, 206; 600/398-400,  
600/402; D10/46

See application file for complete search history.

(56) **References Cited**

U.S. PATENT DOCUMENTS

D245,917 S	9/1977	Armbruster	
4,187,005 A	2/1980	Rosenberger	
4,735,209 A *	4/1988	Foody .....	600/406
4,987,899 A *	1/1991	Brown .....	600/405
D348,224 S	6/1994	Hayashi	
5,318,030 A *	6/1994	Williams .....	600/406
D390,663 S	2/1998	Wolf et al.	
D427,313 S	6/2000	Cox	
D468,430 S	1/2003	Hoelbl	
6,981,946 B2	1/2006	Davidson	

\* cited by examiner

*Primary Examiner* — Anhdao Doan

(74) *Attorney, Agent, or Firm* — Birch, Stewart, Kolasch & Birch, LLP

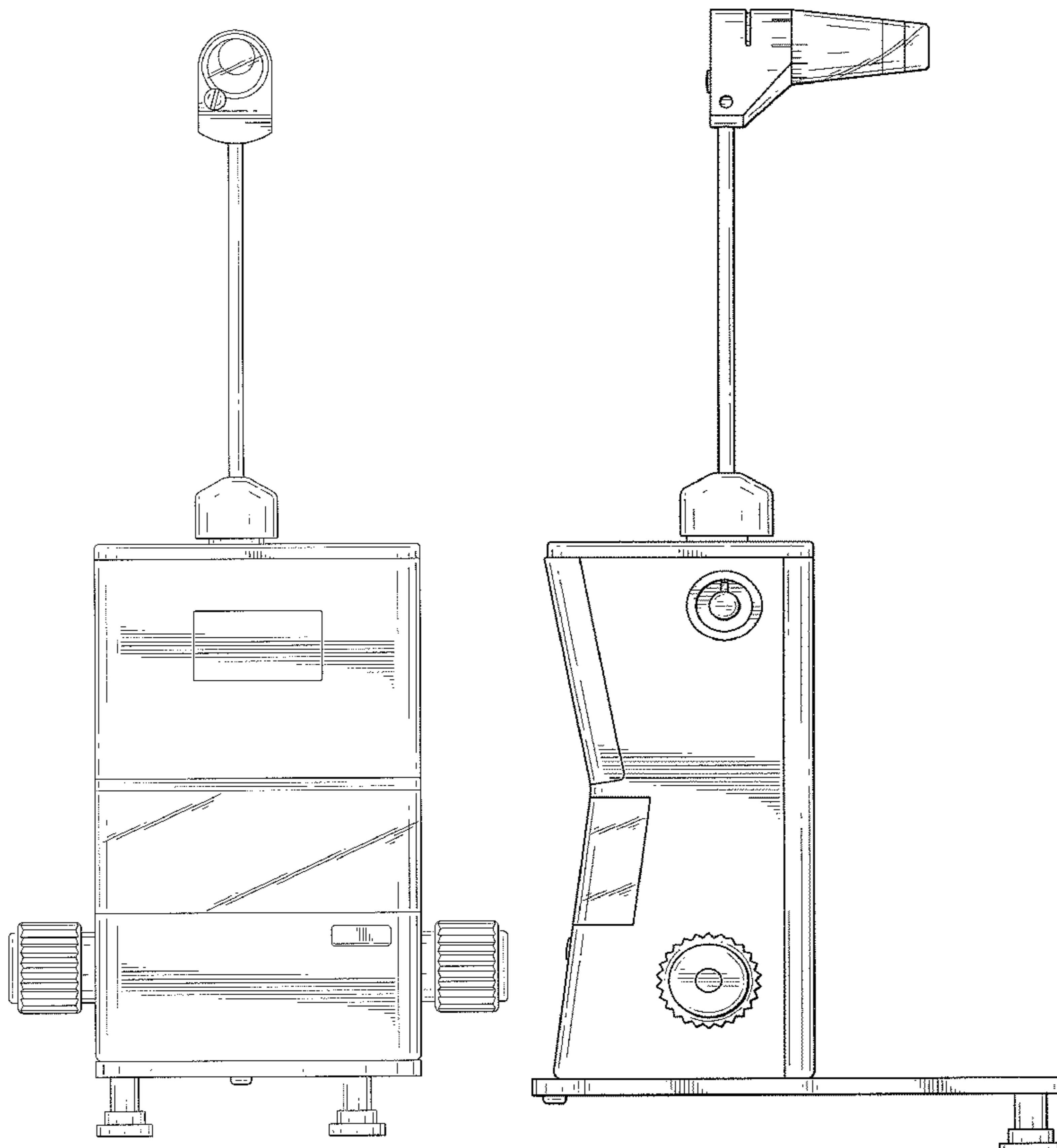
(57) **CLAIM**

The ornamental design for a tonometer, as shown and described.

**DESCRIPTION**

FIG. 1 is a front view of a tonometer showing an embodiment of our new design;  
FIG. 2 is a right side view of the embodiment;  
FIG. 3 is a left side view of the embodiment;  
FIG. 4 is a rear view of the embodiment;  
FIG. 5 is a top view of the embodiment; and,  
FIG. 6 is a bottom view of the embodiment.

**1 Claim, 6 Drawing Sheets**



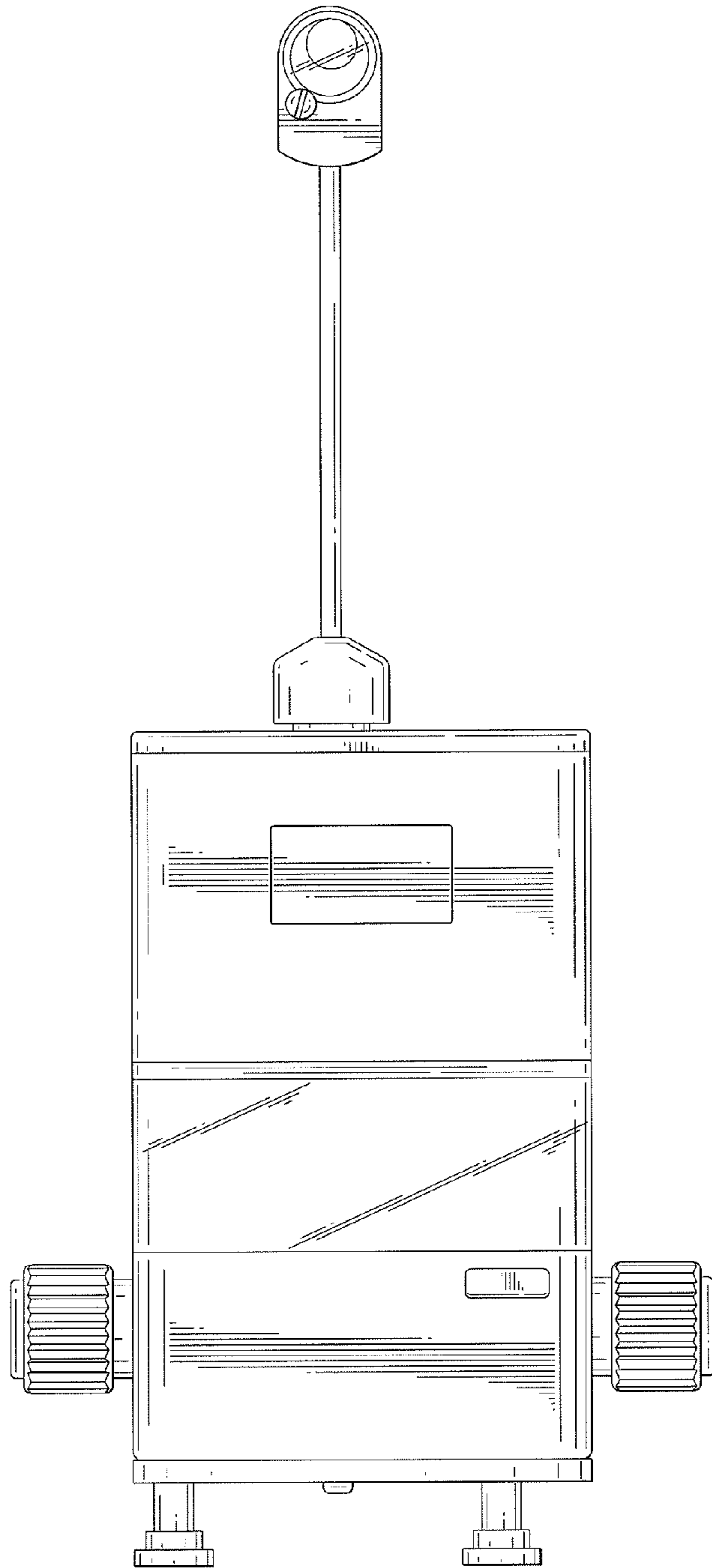


FIG. 1

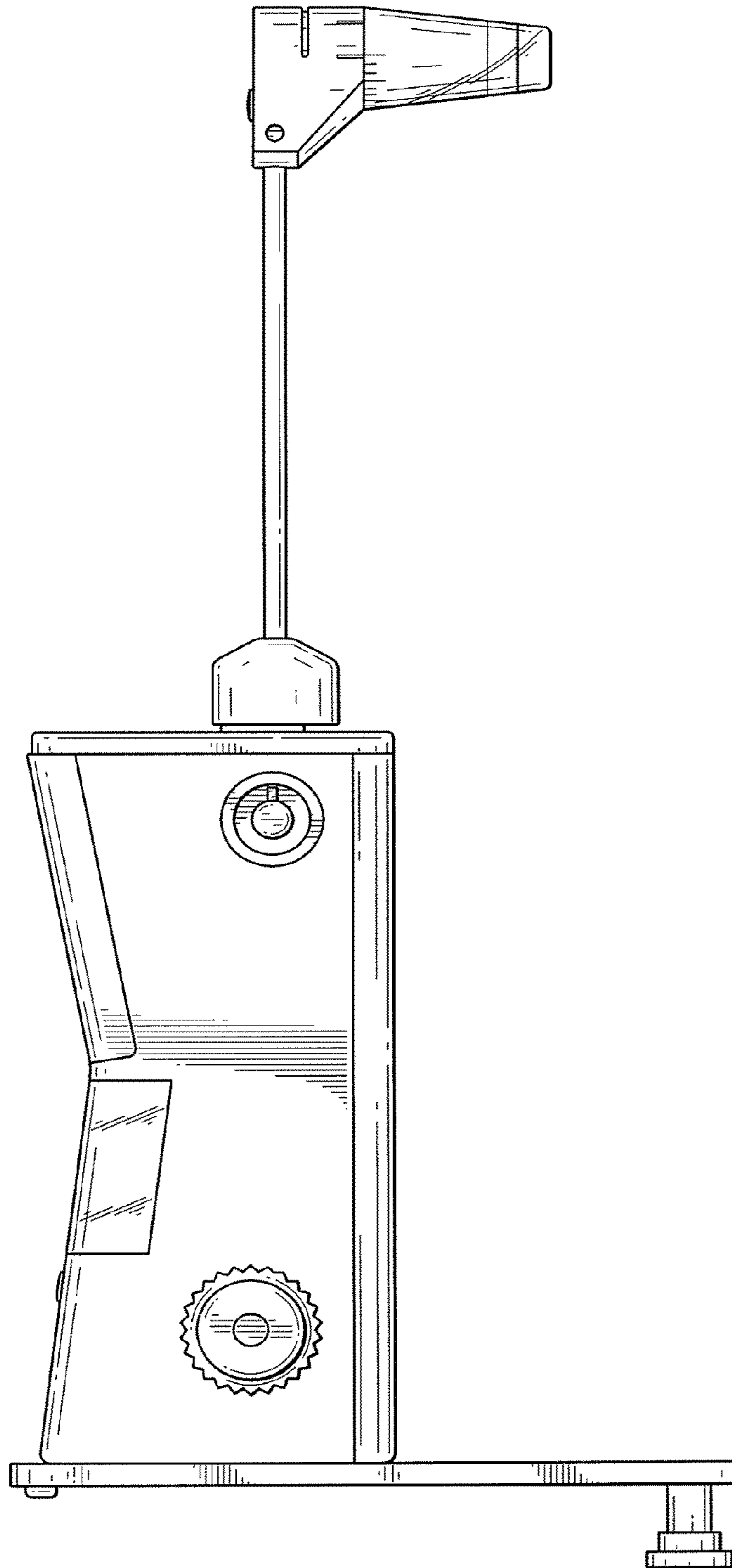


FIG. 2

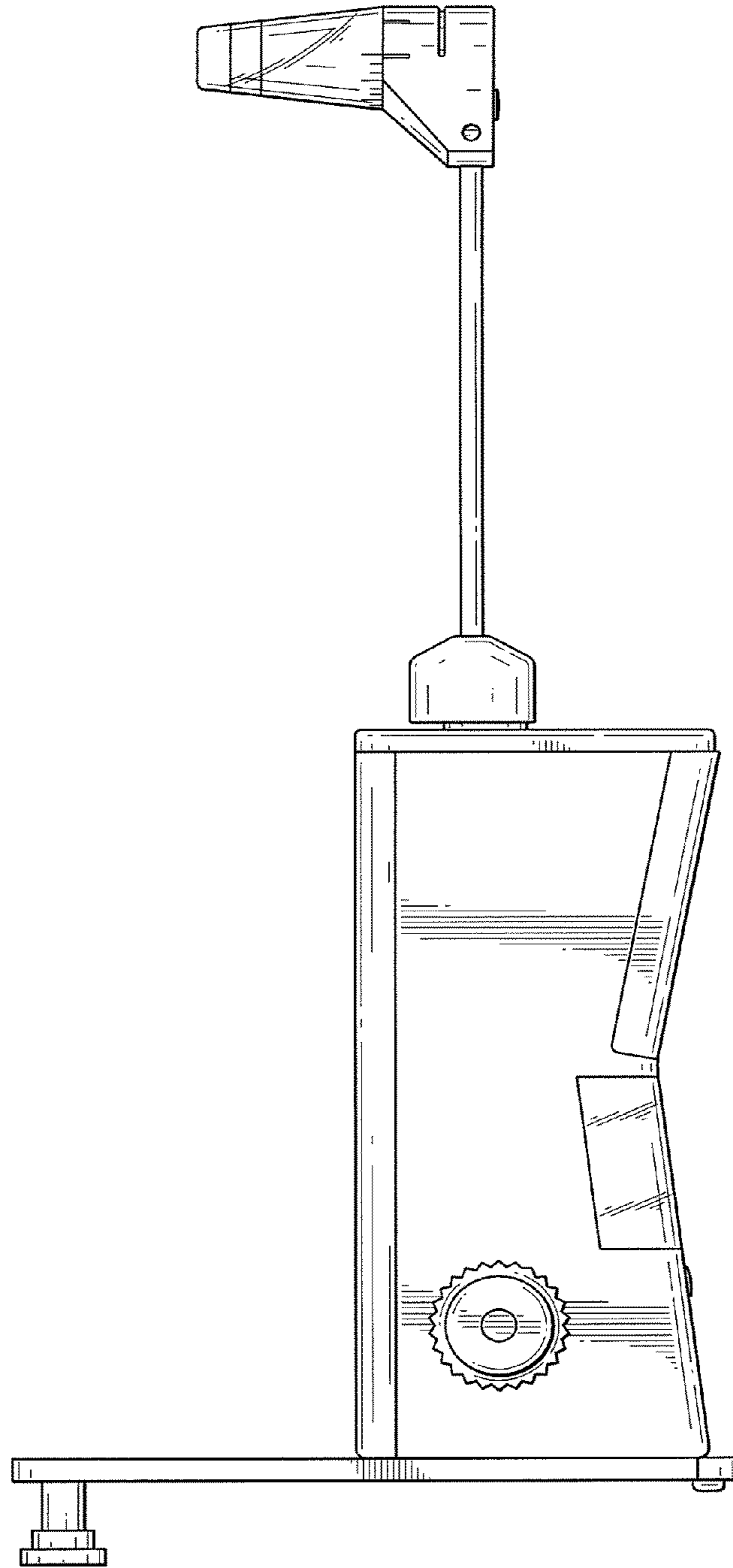


FIG.3

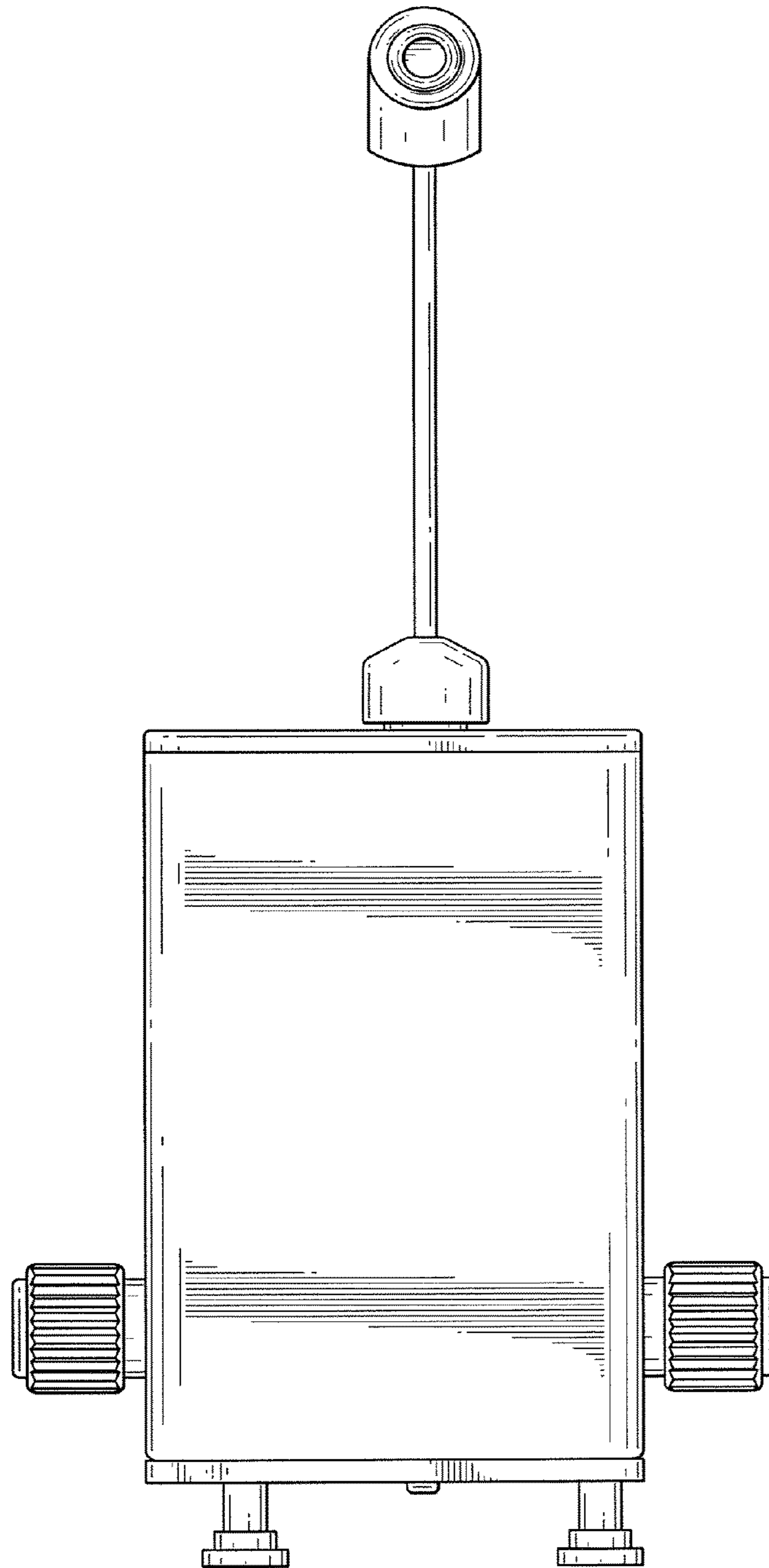


FIG.4

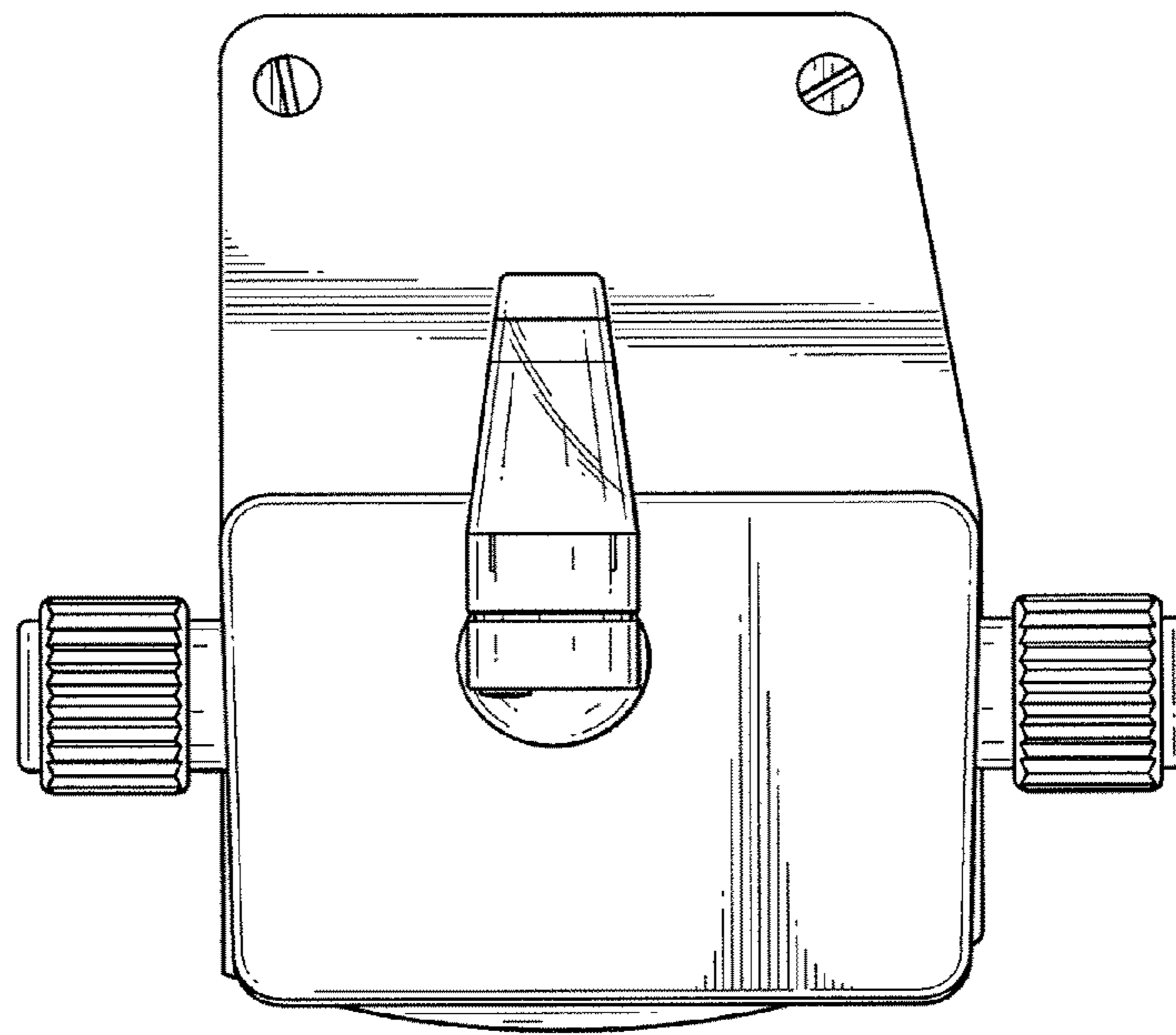


FIG.5

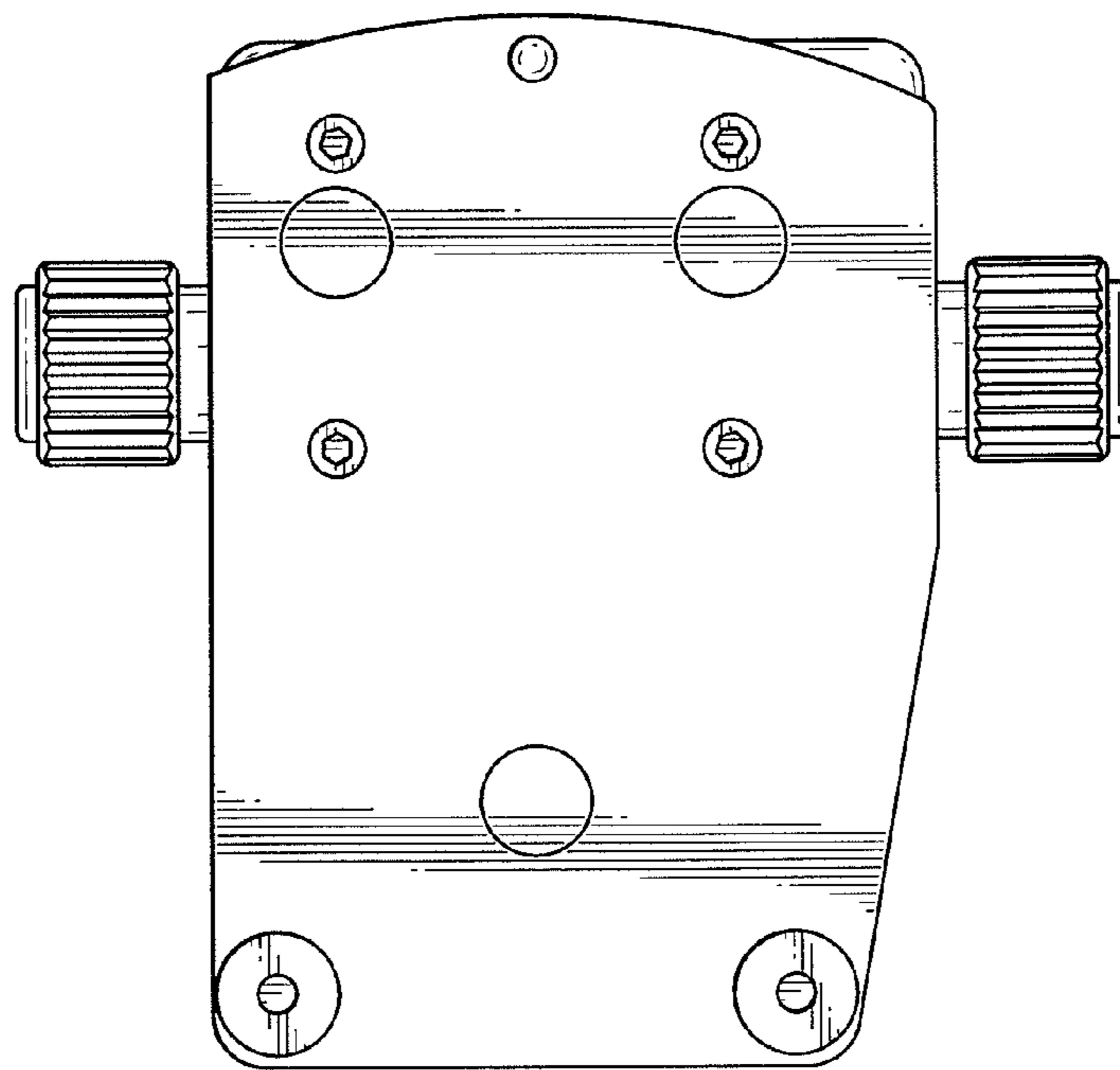


FIG.6