



US00D670812S

(12) **United States Design Patent**
Huang

(10) **Patent No.:** **US D670,812 S**

(45) **Date of Patent:** **** Nov. 13, 2012**

(54) **ANALYZER**

(75) Inventor: **Hsi-Wen Huang**, Taichung (TW)

(73) Assignee: **Bionime Corporation**, Taichung (TW)

(**) Term: **14 Years**

(21) Appl. No.: **29/409,362**

(22) Filed: **Dec. 22, 2011**

(51) **LOC (9) Cl.** **24-01**

(52) **U.S. Cl.** **D24/169**

(58) **Field of Classification Search** D24/165-169,
D24/186; D10/78, 81; 600/309, 316, 322,
600/365, 368

See application file for complete search history.

(56) **References Cited**

U.S. PATENT DOCUMENTS

D334,065	S	*	3/1993	Collister	D24/232
D371,198	S	*	6/1996	Savage et al.	D24/169
5,605,837	A	*	2/1997	Karimi et al.	436/14
D547,454	S	*	7/2007	Hsieh et al.	D24/186
D608,892	S	*	1/2010	Takano et al.	D24/169
D621,048	S	*	8/2010	Severe et al.	D24/167

D634,431	S	*	3/2011	Severe et al.	D24/167
D651,924	S	*	1/2012	Faulkner et al.	D10/81
D659,836	S	*	5/2012	Bensch et al.	D24/167
2010/0279418	A1	*	11/2010	Larson et al.	436/63

* cited by examiner

Primary Examiner — T. Chase Nelson

Assistant Examiner — Ania Aman

(74) *Attorney, Agent, or Firm* — Whyte Hirschboeck Dudek SC

(57) **CLAIM**

I claim, The ornamental design for an analyzer, as shown and described.

DESCRIPTION

FIG. 1 is a perspective view of analyzer showing my new design;

FIG. 2 is a front elevational view thereof;

FIG. 3 is a rear elevational view thereof;

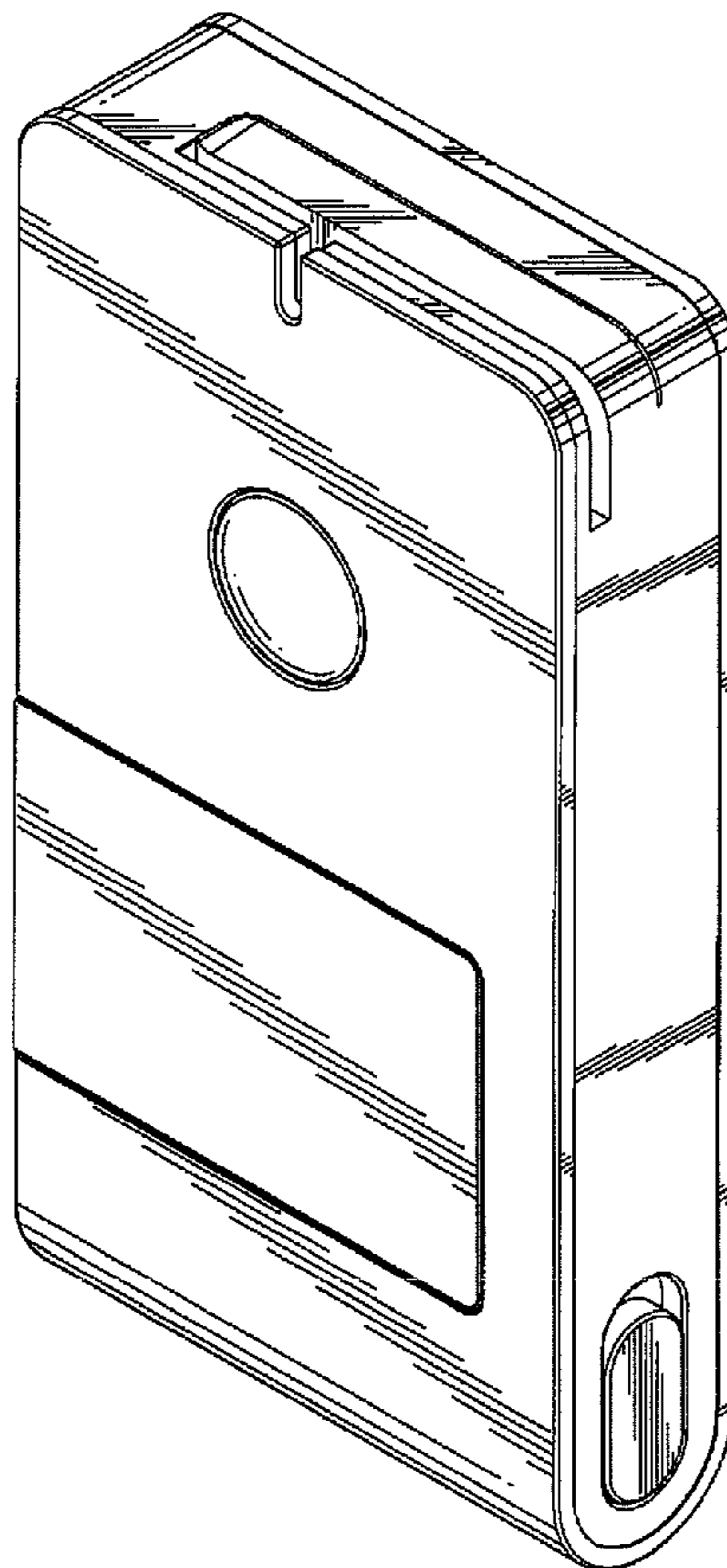
FIG. 4 is a left side elevational view thereof;

FIG. 5 is a right side elevational view thereof;

FIG. 6 is a top plan view thereof; and,

FIG. 7 is a bottom plan view thereof.

1 Claim, 5 Drawing Sheets



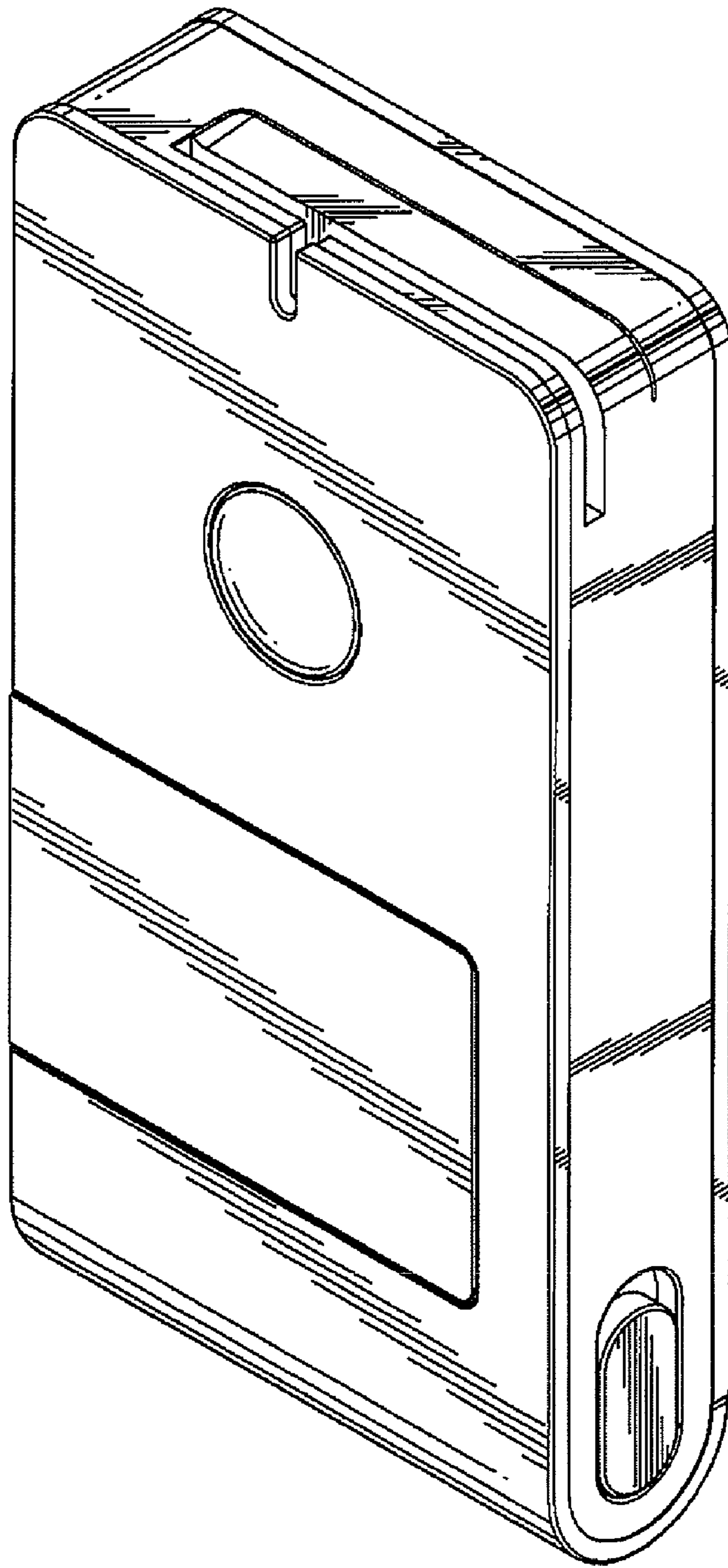


FIG. 1

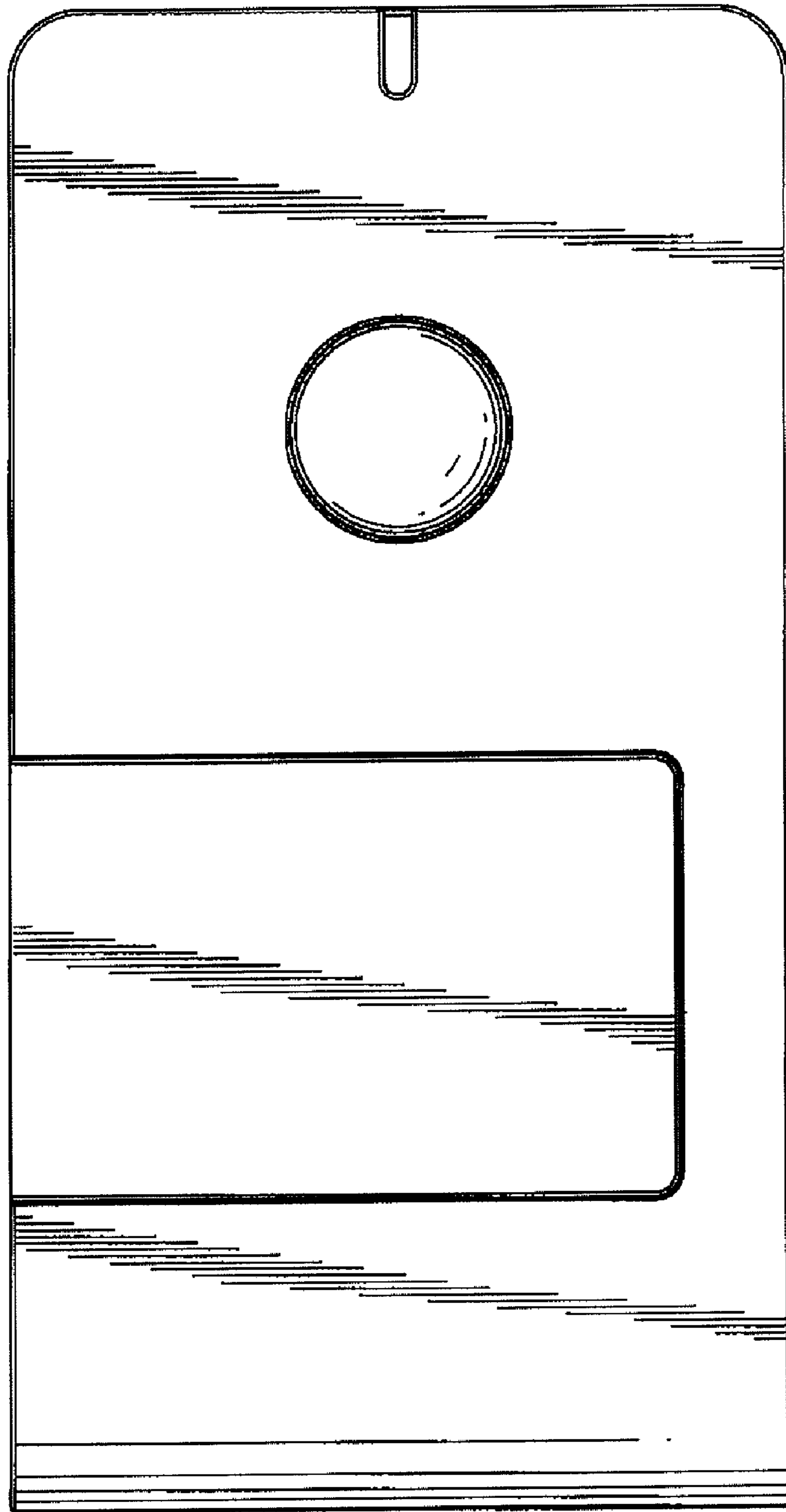


FIG. 2

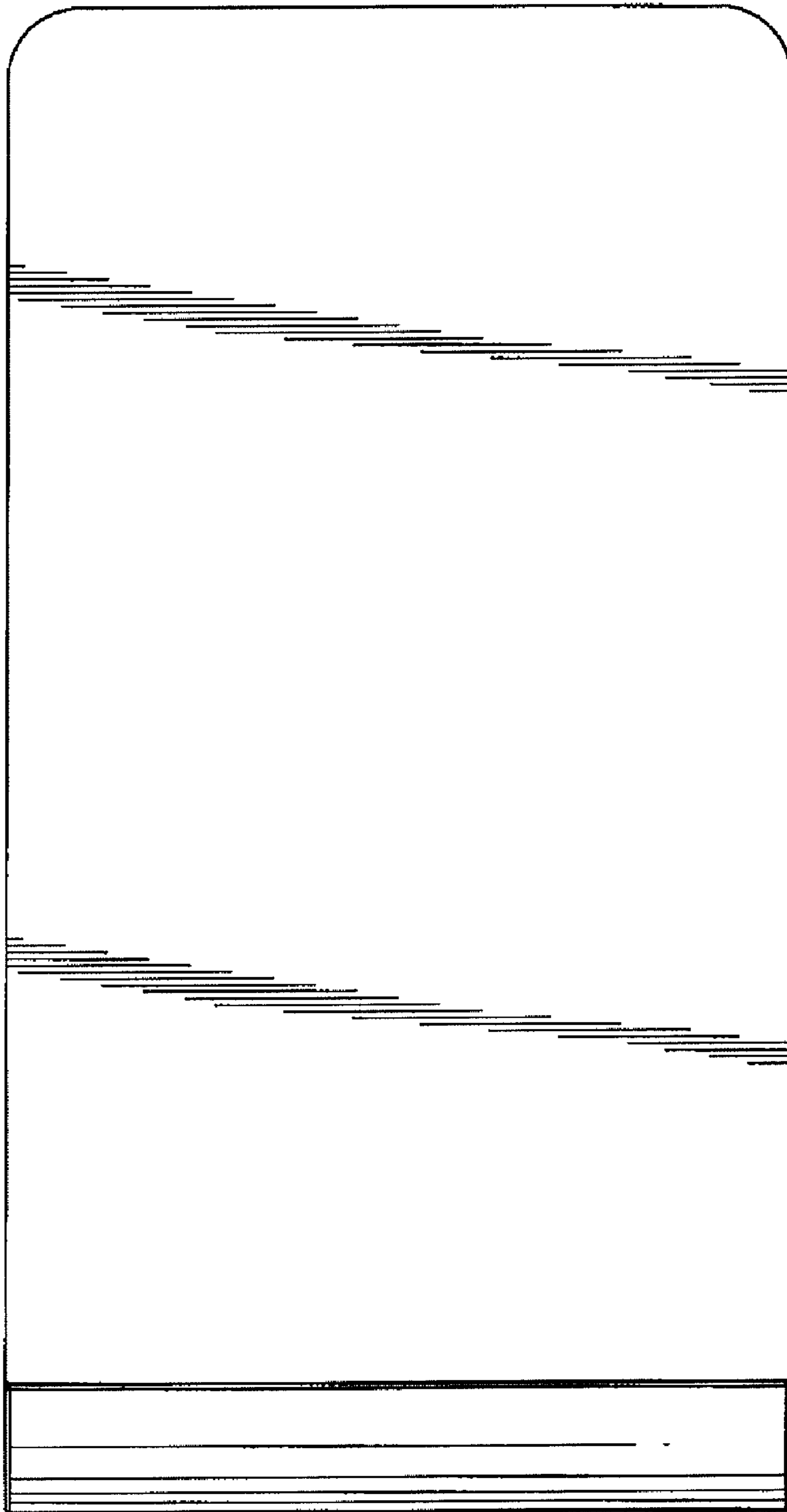


FIG. 3

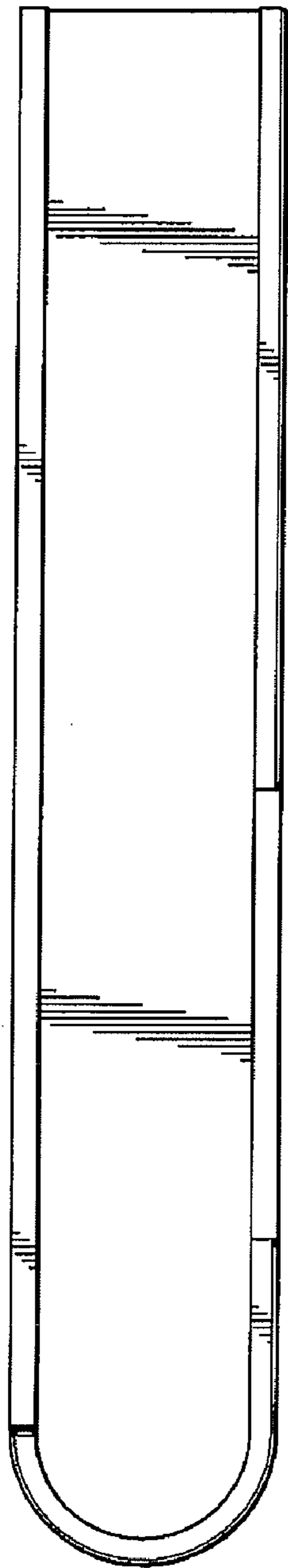


FIG. 4

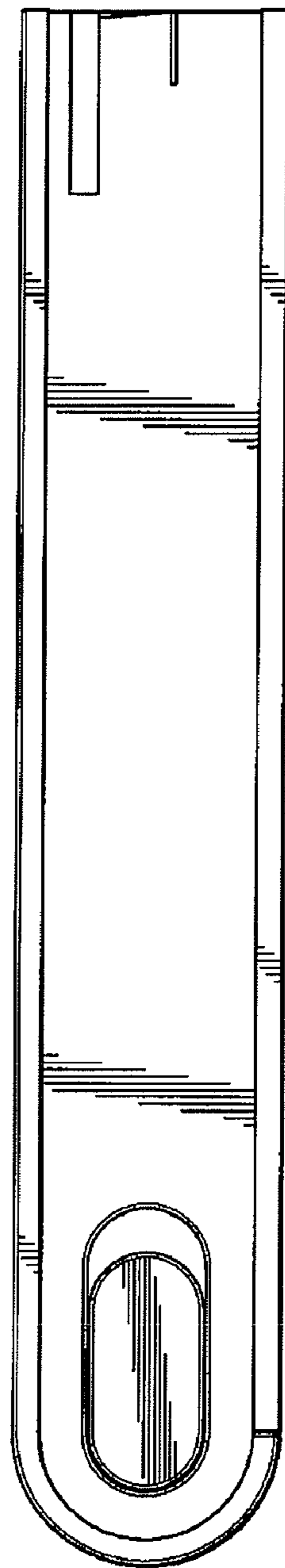


FIG. 5

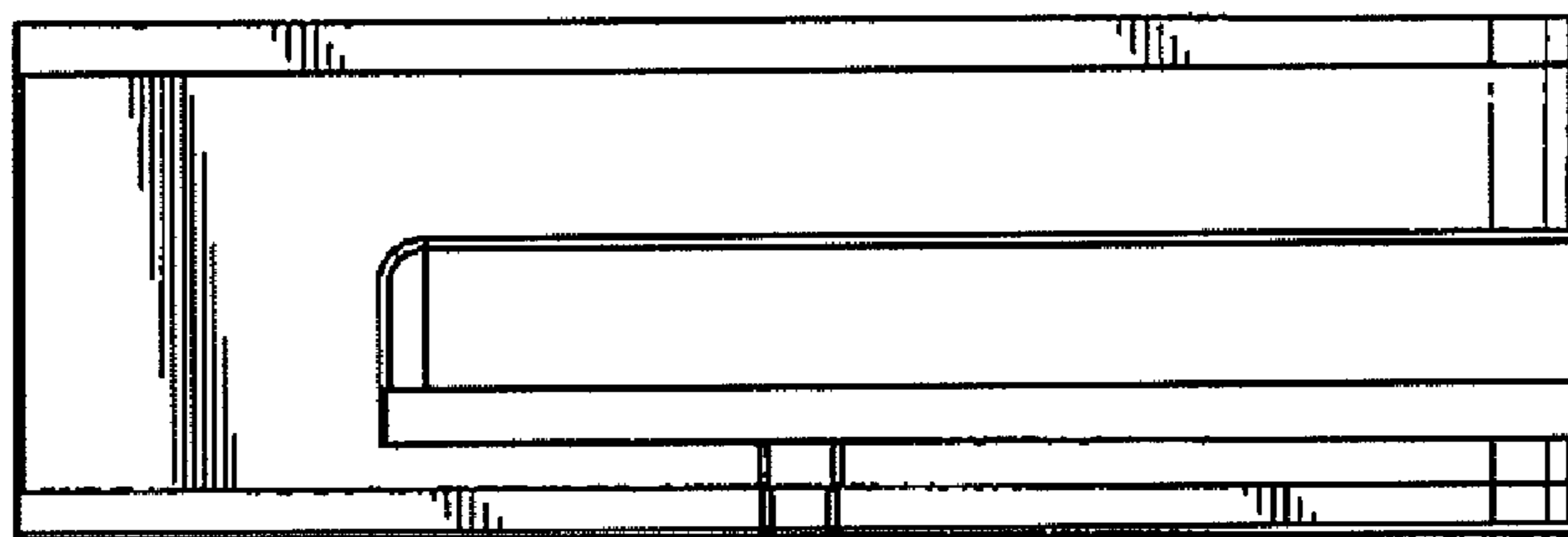


FIG. 6

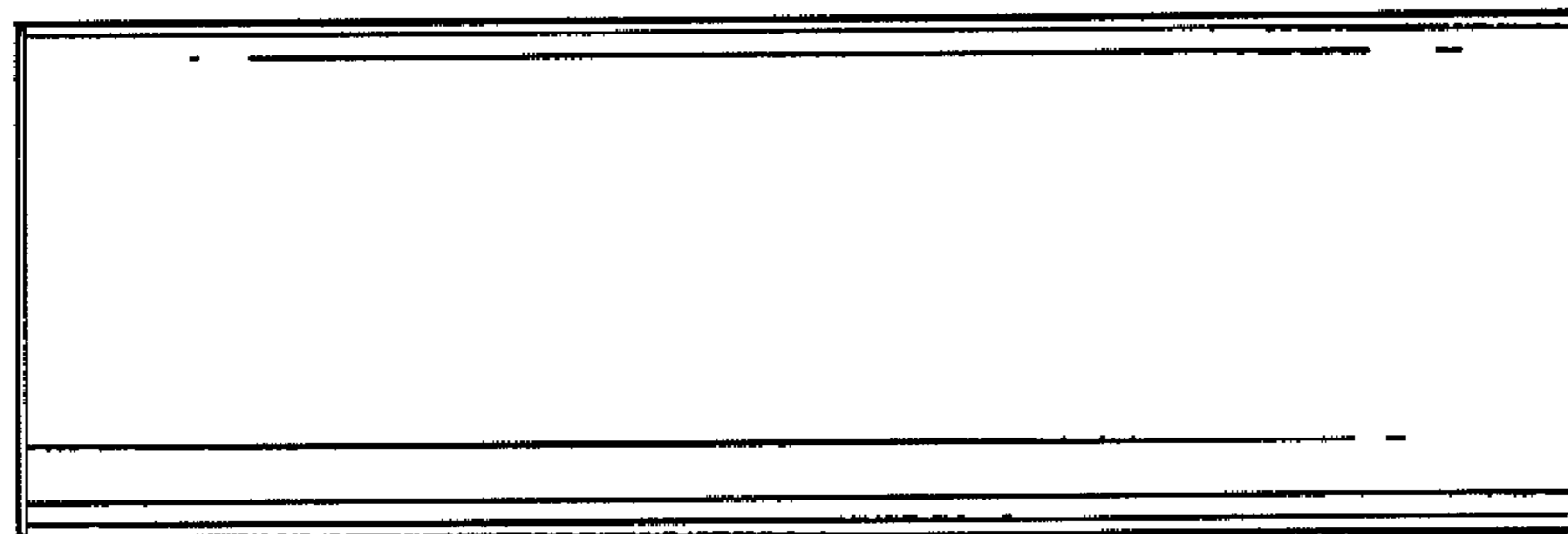


FIG. 7