



US00D670809S

(12) **United States Design Patent**  
**Senda**

(10) **Patent No.:** **US D670,809 S**

(45) **Date of Patent:** **\*\* Nov. 13, 2012**

(54) **MEDICAL IMAGE READER**

(75) Inventor: **Yutaka Senda**, Minato-ku (JP)

(73) Assignee: **FUJIFILM Corporation**, Tokyo (JP)

(\*\*) Term: **14 Years**

(21) Appl. No.: **29/404,487**

(22) Filed: **Oct. 21, 2011**

(30) **Foreign Application Priority Data**

Jun. 29, 2011 (JP) ..... 2011-014776

(51) **LOC (9) Cl.** ..... **24-01**

(52) **U.S. Cl.** ..... **D24/158**

(58) **Field of Classification Search** ..... D24/158-161;  
D16/246, 247, 420, 421; D18/34.4, 34.5,  
D18/34.6; 250/582, 583

See application file for complete search history.

(56) **References Cited**

**U.S. PATENT DOCUMENTS**

D548,838 S \* 8/2007 Hirabayashi et al. .... D24/158  
D565,178 S \* 3/2008 Tanaka ..... D24/138

D568,477 S \* 5/2008 Takahashi et al. .... D24/158  
D571,474 S \* 6/2008 Sjo-Gaber et al. .... D24/186  
D638,545 S \* 5/2011 Okawa et al. .... D24/186

\* cited by examiner

*Primary Examiner* — T. Chase Nelson

*Assistant Examiner* — Ania Aman

(74) *Attorney, Agent, or Firm* — Sughrue Mion, PLLC

(57) **CLAIM**

The ornamental design for a medical image reader, as shown and described.

**DESCRIPTION**

FIG. 1 is a top, front and side perspective view of a medical image reader showing my new design;  
FIG. 2 is a front elevational view thereof;  
FIG. 3 is a rear elevational view thereof;  
FIG. 4 is a top plan view thereof;  
FIG. 5 is a bottom plan view thereof;  
FIG. 6 is a left side elevational view thereof; and,  
FIG. 7 is a right side elevational view thereof.

**1 Claim, 7 Drawing Sheets**

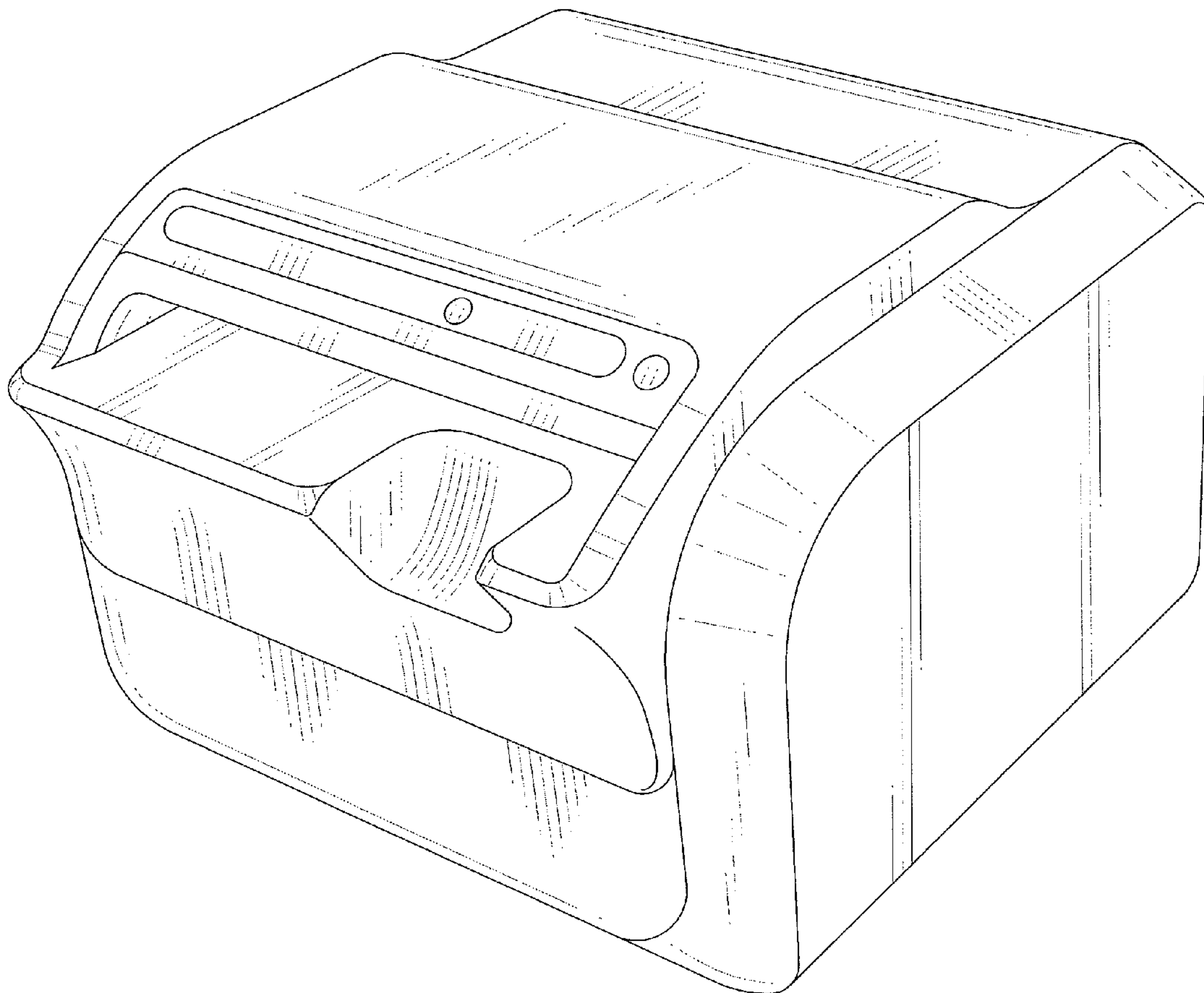


FIG. 1

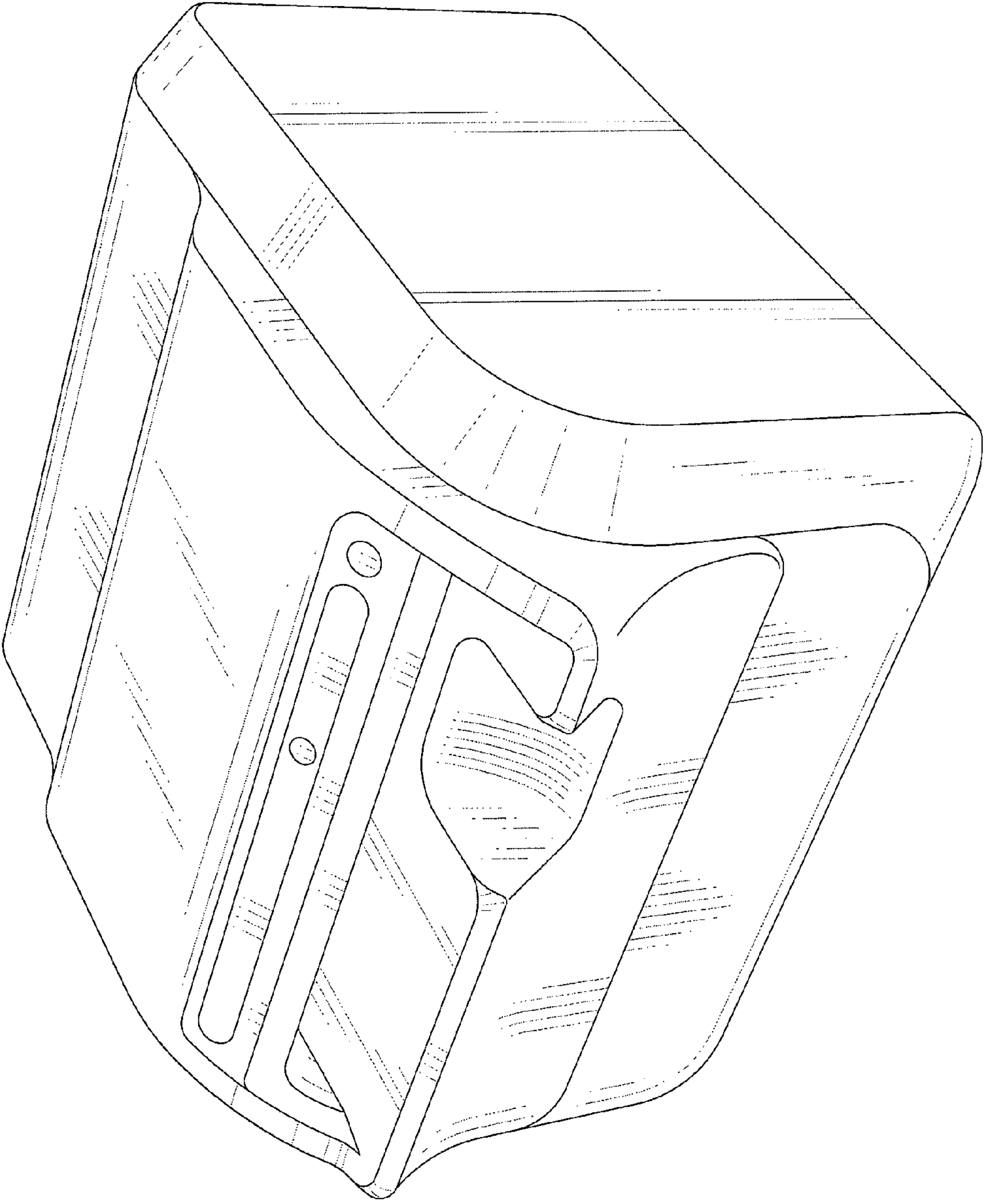


FIG. 2

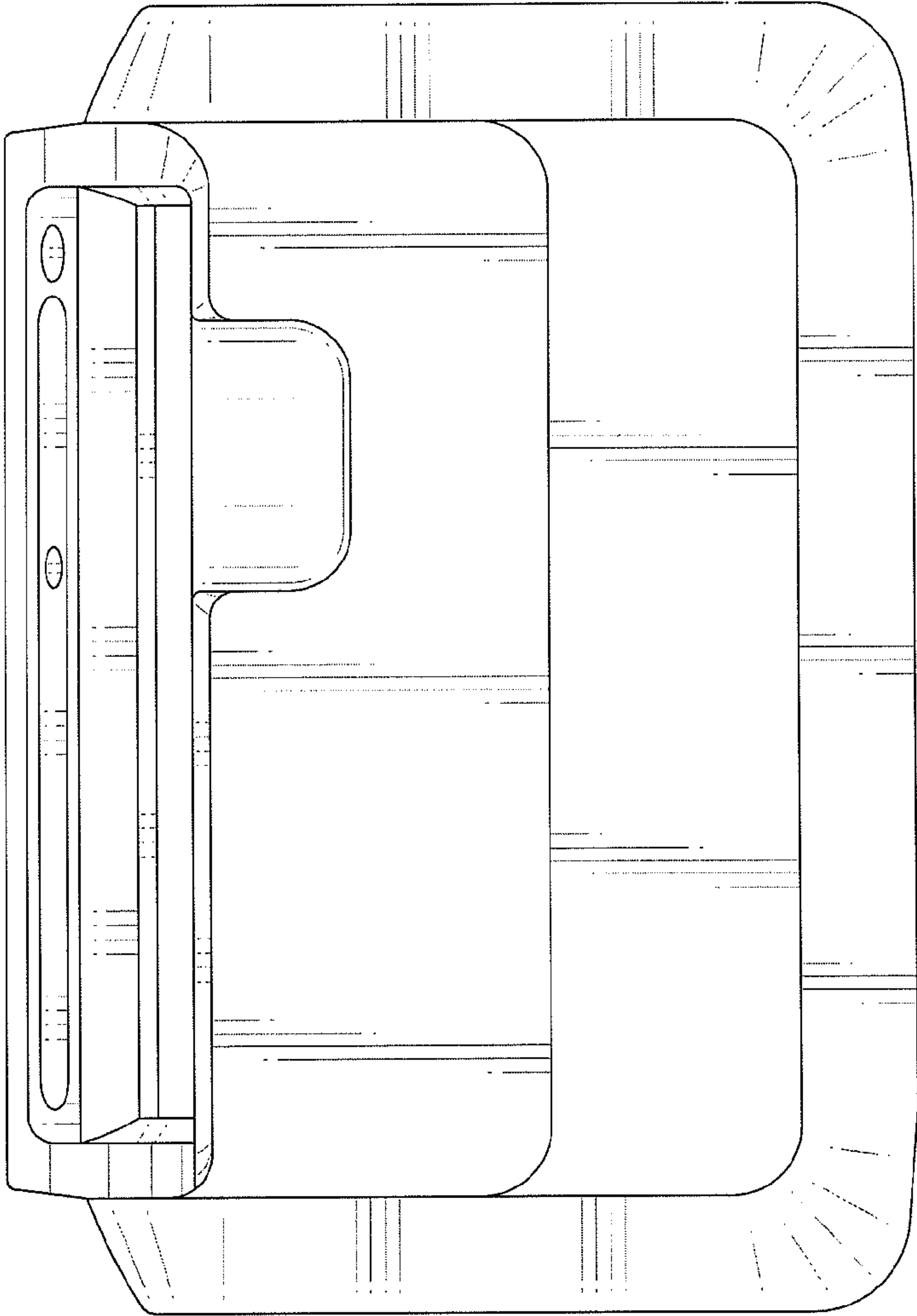


FIG. 3

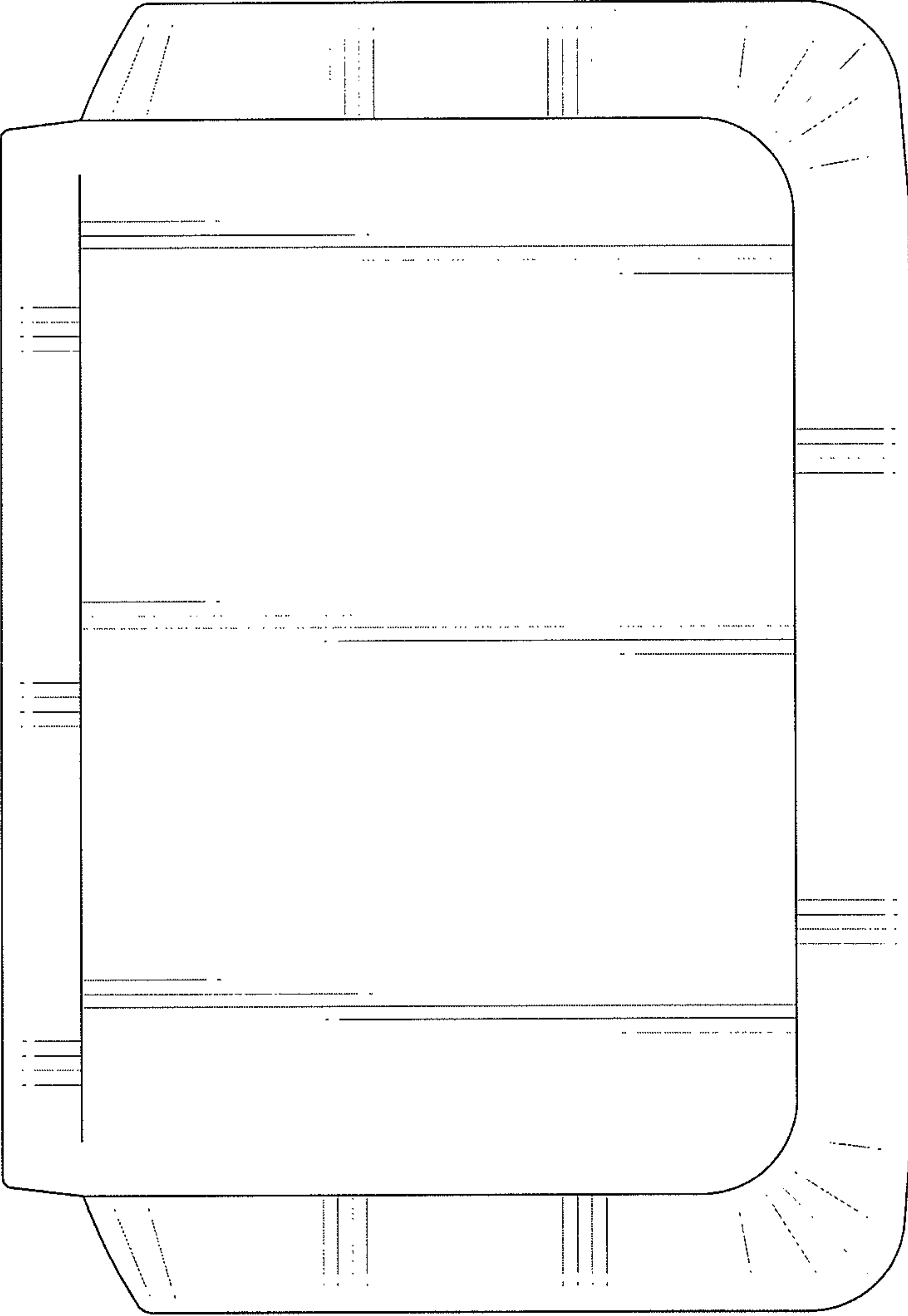


FIG. 4

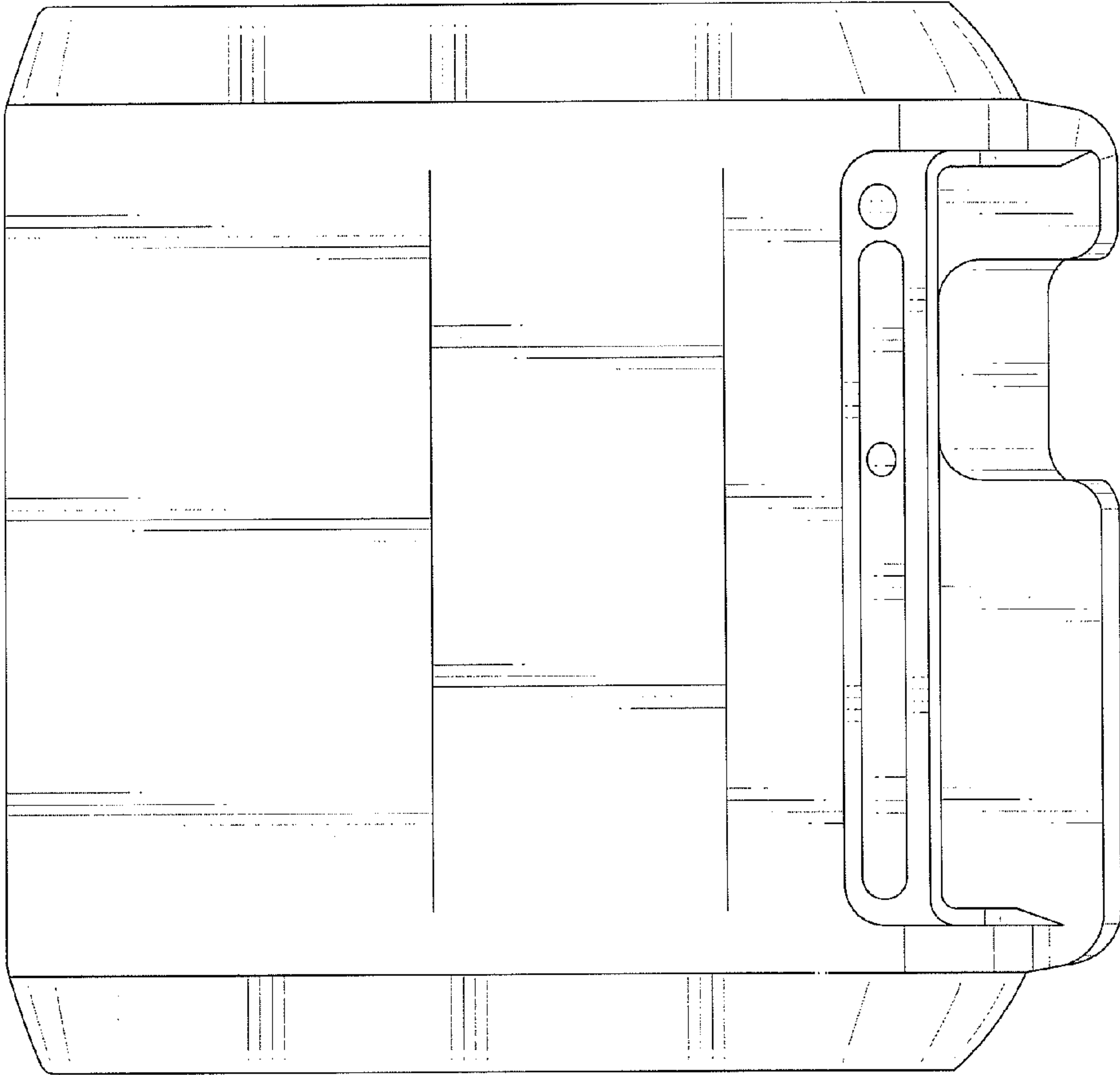


FIG. 5

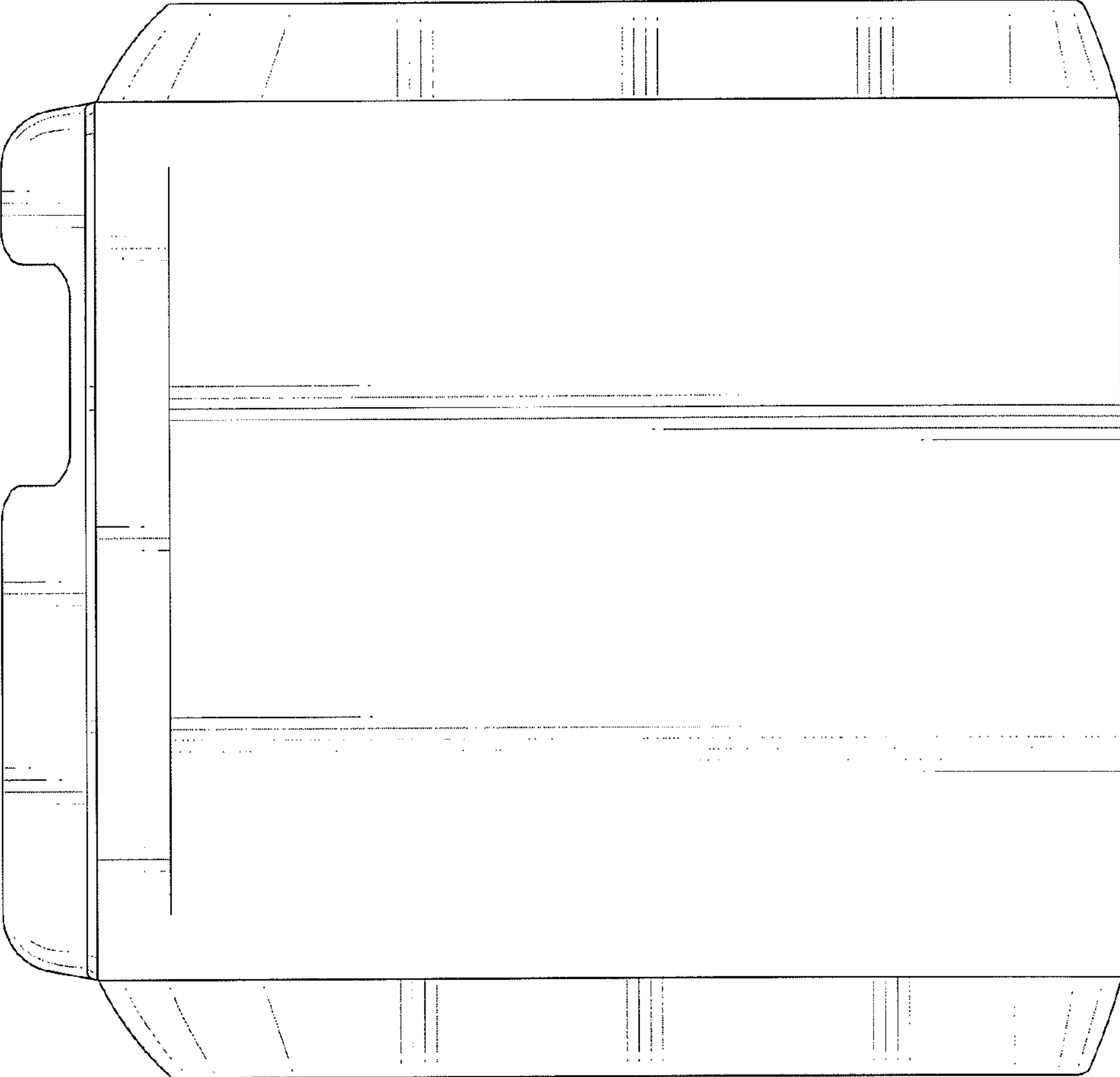


FIG. 6

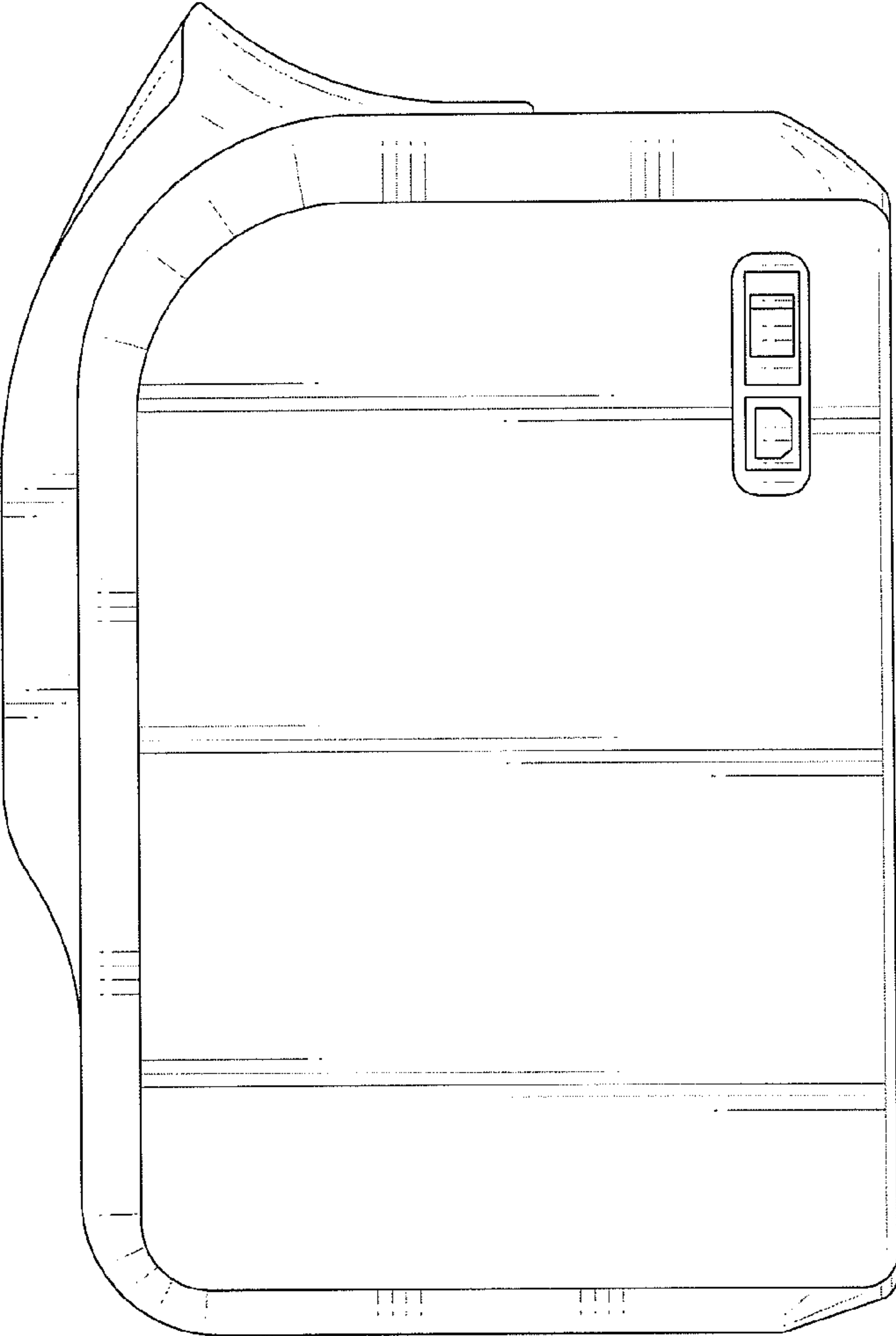


FIG. 7

