



US00D670807S

(12) **United States Design Patent**
Fuerst

(10) **Patent No.:** **US D670,807 S**
(45) **Date of Patent:** **** Nov. 13, 2012**

(54) **MALE CIRCUMCISION TOOL SET**

(76) Inventor: **Oren Fuerst**, New York, NY (US)

(**) Term: **14 Years**

(21) Appl. No.: **29/385,907**

(22) Filed: **Feb. 22, 2011**

(51) **LOC (9) Cl.** **24-02**

(52) **U.S. Cl.** **D24/143**

(58) **Field of Classification Search** D24/143,
D24/105, 147, 127, 129; 606/118, 139, 140-141,
606/151-153, 131, 157, 221

See application file for complete search history.

(56) **References Cited**

U.S. PATENT DOCUMENTS

2,272,072	A *	2/1942	Ross	606/118
2,353,647	A *	7/1944	Carmichael	606/118
3,056,407	A *	10/1962	Kariher et al.	606/118
3,612,057	A *	10/1971	Freedman	606/118
4,491,136	A *	1/1985	LeVeen	606/118
4,657,019	A *	4/1987	Walsh et al.	606/153
5,269,788	A *	12/1993	Nelson, III	606/118
5,797,921	A *	8/1998	Cimini et al.	606/118
7,806,902	B2 *	10/2010	Tomlinson	606/118
2008/0154283	A1 *	6/2008	Shang	606/118
2009/0143789	A1 *	6/2009	Houser	606/151
2011/0098718	A1 *	4/2011	Shang	606/118

OTHER PUBLICATIONS

ShangRing circumcision Ring. Posted May 23, 2010. [Retrieved on Feb. 3, 2012]. Retrieved from the Internet: <URL: <http://www.thaimedicalnew.com/circumcision-ring-shangring-fight-against-aids-safer-circ...>>.*

Google Image Result for <http://i55.tinypic.com/2ec2gr9.jpg>. [Retrieved on Feb. 3, 2012].*

AIDS Prevention Inspires Ways to Make Circumcisions Easier. Published Jan. 2012. [Retrieved on Feb. 3, 2012]. Retrieved from the

Internet: <URL: <http://www.nytimes.com/2012/01/31/health/aids-prevention-inspires-ways-to-simplify-circu...>>.*

* cited by examiner

Primary Examiner — Wan Laymon

(74) *Attorney, Agent, or Firm* — Wiggin and Dana LLP; Gregory S. Rosenblatt

(57) **CLAIM**

The ornamental design of a male circumcision tool set, as shown and described.

DESCRIPTION

FIG. 1 is a front perspective view of a male circumcision tool set, shown with the smaller ring, the black elastic ring, and the larger ring showing my design;

FIG. 2 is a top view thereof;

FIG. 3 is a front perspective view of a male circumcision tool set, shown with the black elastic ring mounted on the smaller ring and the larger ring;

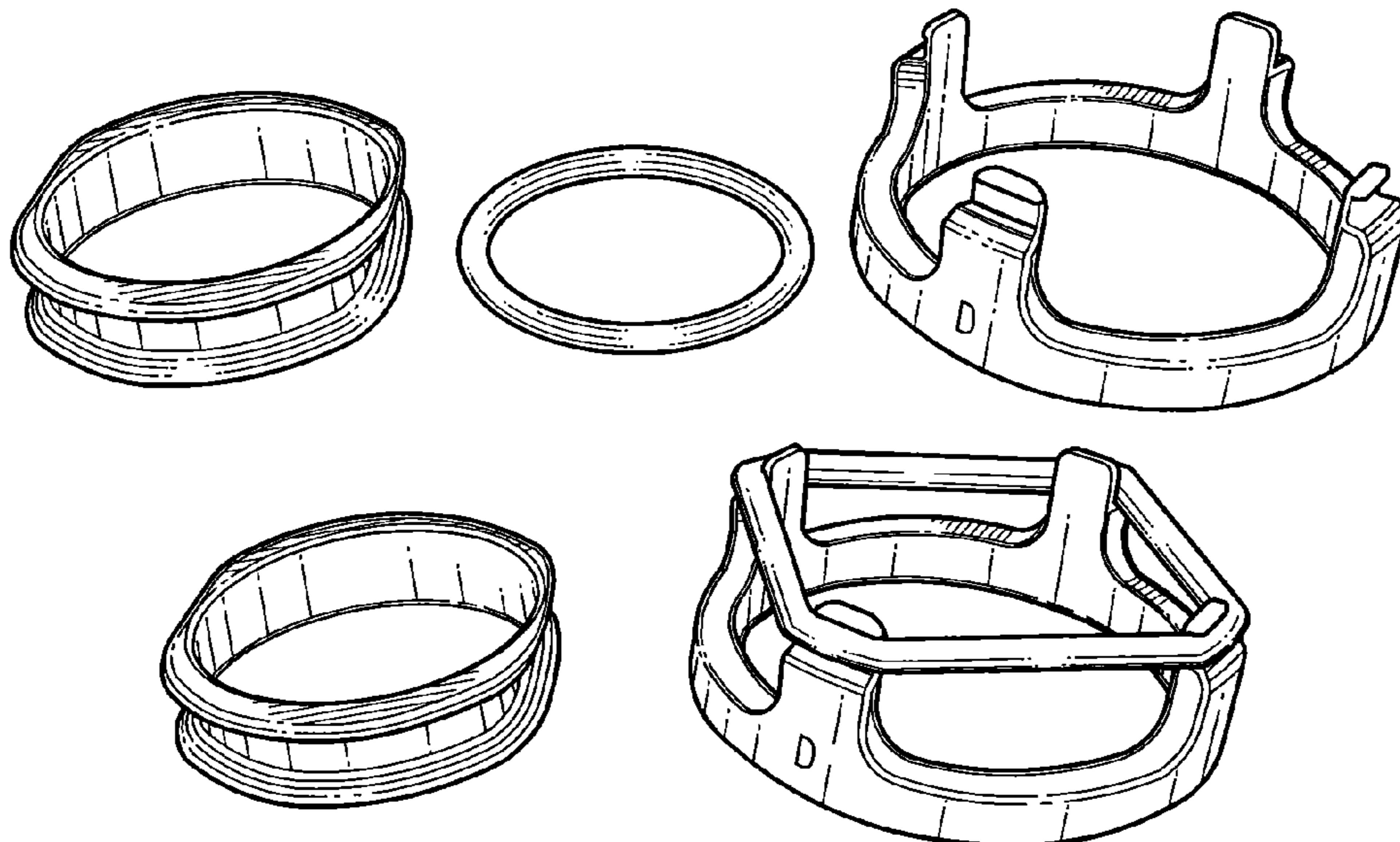
FIG. 4 is a top view thereof; and,

FIG. 5 is a front perspective view of a male circumcision tool set, shown with the smaller ring and the black elastic ring mounted on the larger ring.

The intended use of the design is a set of three pieces (a smaller ring, a black elastic ring, and a larger ring having four legs) which serve, two pieces used at a time, as a circumcision tool set.

The process of the circumcision starts by applying the larger ring on the organ with the black ring tensed on the legs of the larger ring. The smaller ring is then inserted inside the foreskin and the black rubber ring is carefully removed from the larger ring so that the foreskin is located between the black elastic ring and the smaller ring. In this way pressure is applied to eventually cause necrosis of the foreskin. About a week later, the dead skin is removed and the black elastic ring and the small ring are removed to complete the circumcision.

1 Claim, 3 Drawing Sheets



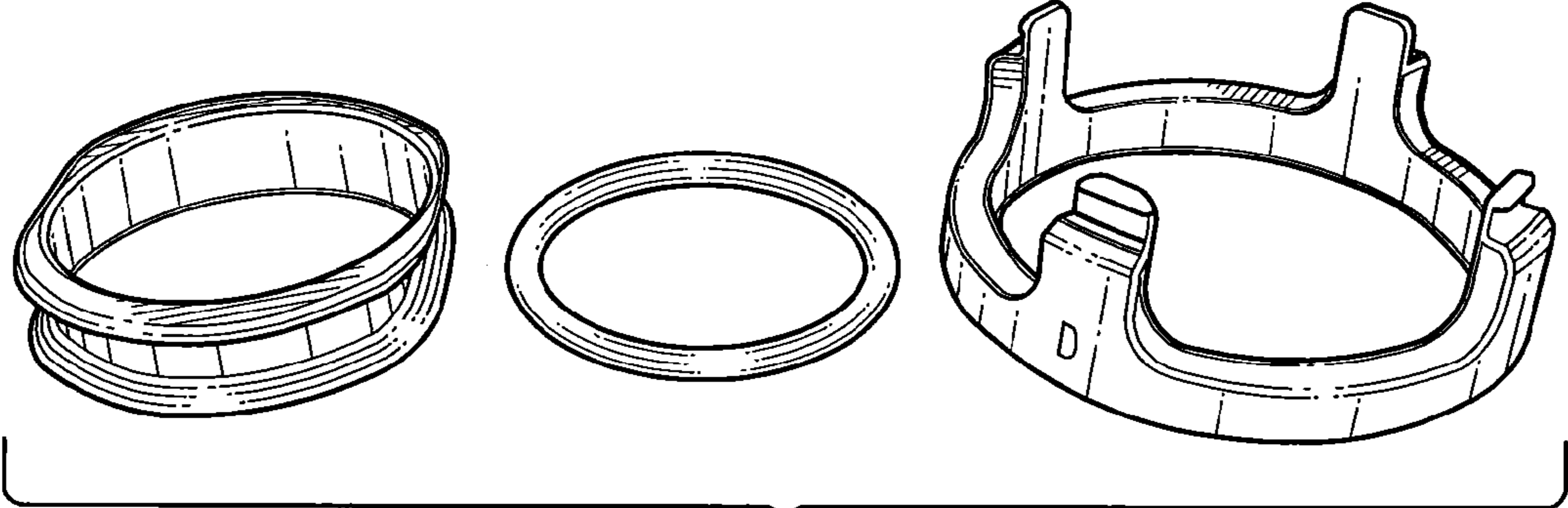


FIG. 1

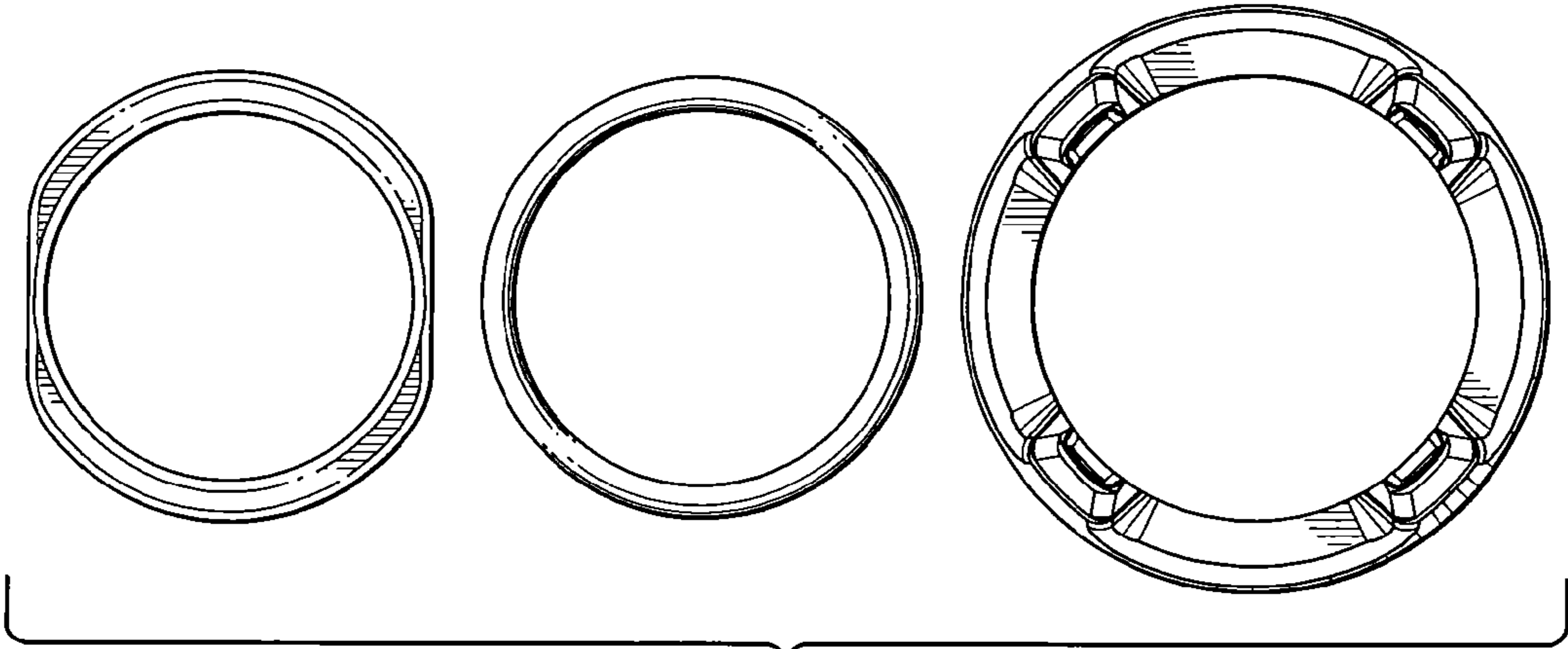


FIG. 2

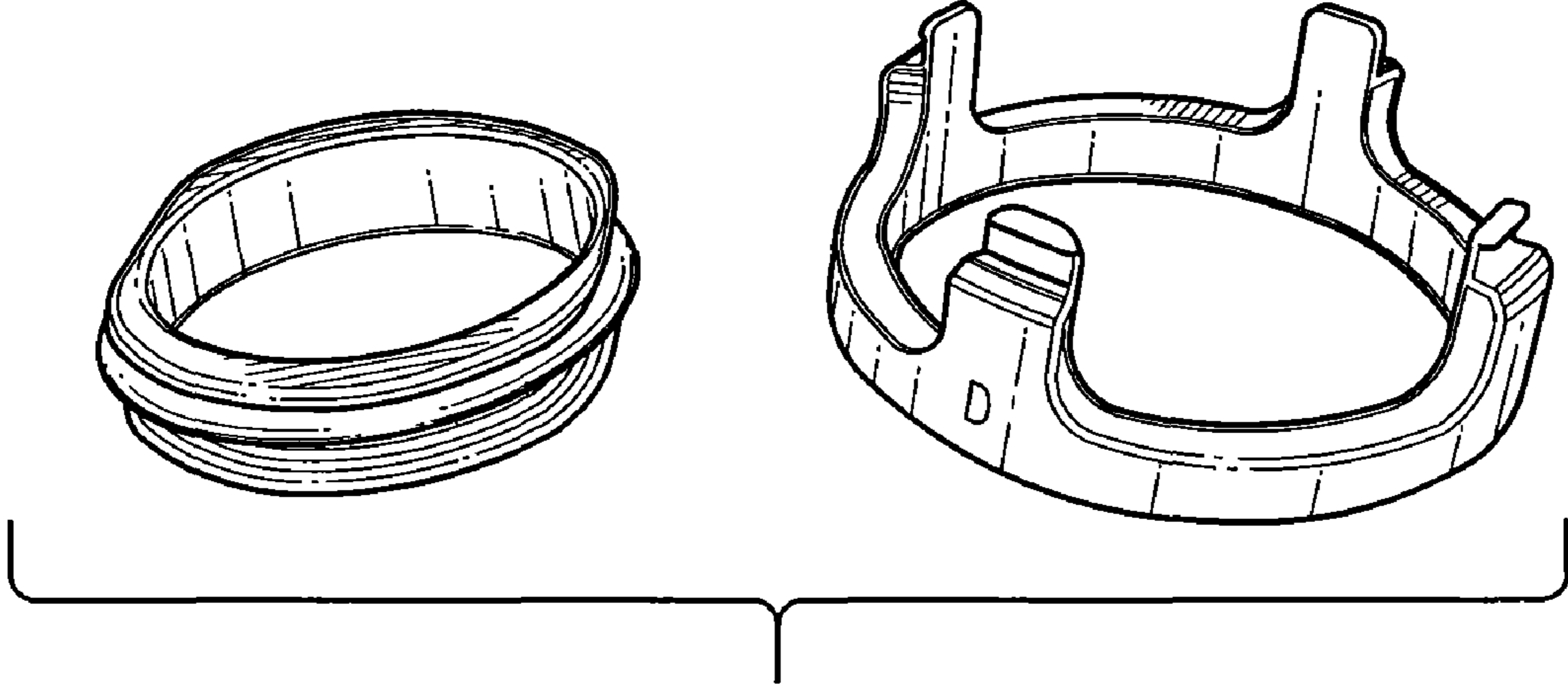


FIG. 3

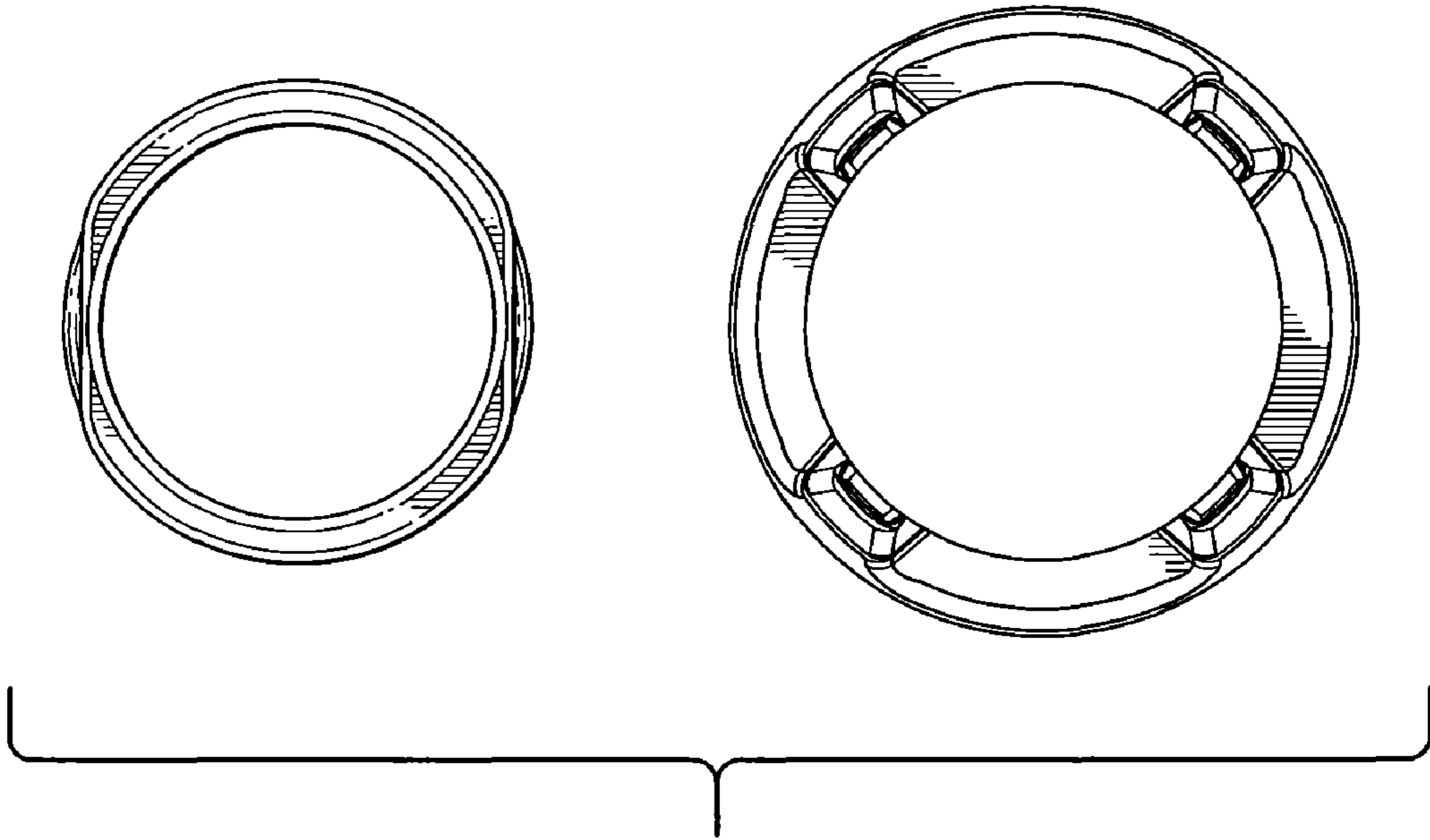


FIG. 4

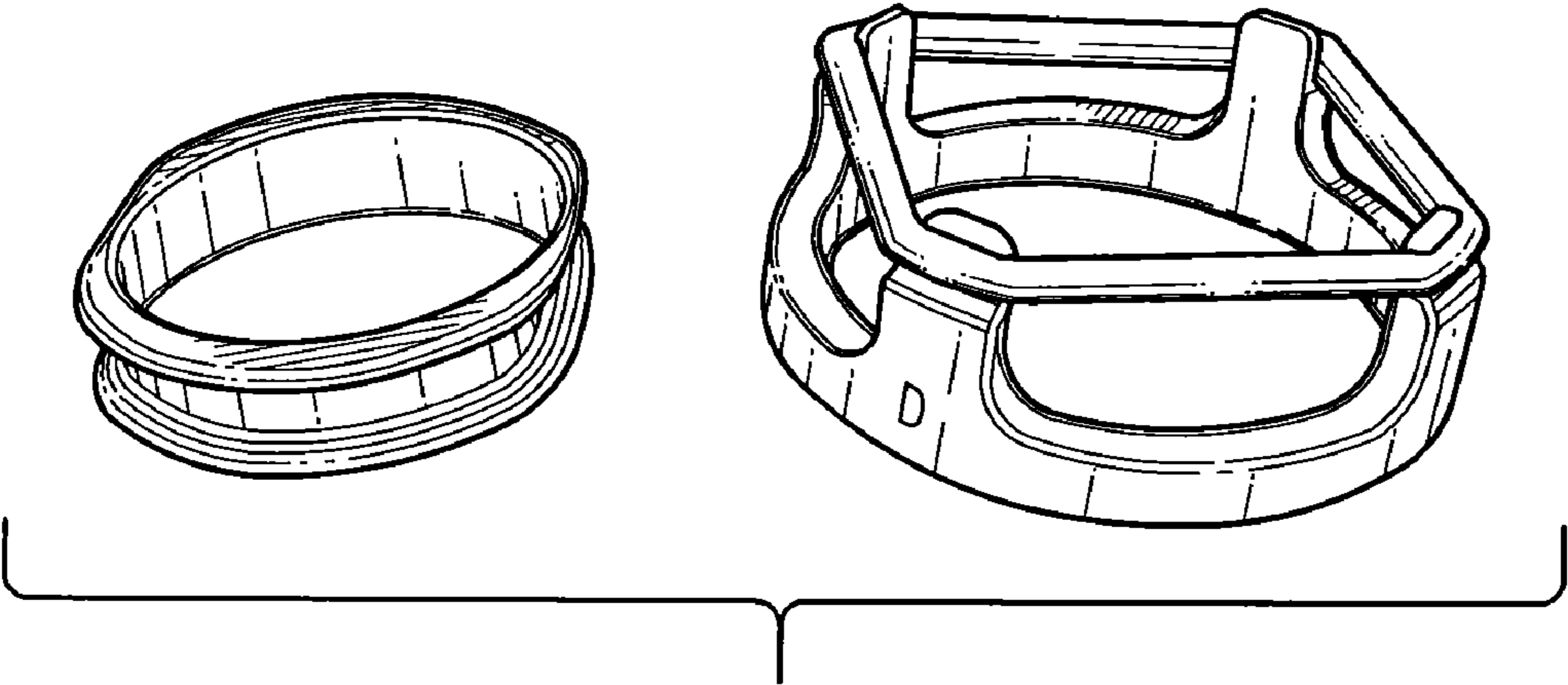


FIG. 5