

US00D670805S

(12) **United States Design Patent**
Hermle

(10) **Patent No.:** **US D670,805 S**
(45) **Date of Patent:** **** Nov. 13, 2012**

(54) **RECTOSCOPE**

(75) Inventor: **Rainer Hermle**, Gosheim (DE)

(73) Assignee: **Karl Storz GmbH & Co. KG** (DE)

(**) Term: **14 Years**

(21) Appl. No.: **29/396,093**

(22) Filed: **Jun. 24, 2011**

(30) **Foreign Application Priority Data**

Dec. 27, 2010 (EM) 001798695-0010

(51) **LOC (9) Cl.** **24-02**

(52) **U.S. Cl.** **D24/138**

(58) **Field of Classification Search** D24/133,
D24/137, 138, 140; 600/104, 114, 132

See application file for complete search history.

(56) **References Cited**

U.S. PATENT DOCUMENTS

D271,618	S	*	11/1983	Nishigaki	D24/138
D280,206	S	*	8/1985	Ishii	D16/134
4,538,594	A	*	9/1985	Boebel et al.	600/102
6,458,077	B1	*	10/2002	Boebel et al.	600/154
D612,496	S	*	3/2010	Bennison	D24/138
2003/0144577	A1	*	7/2003	Bacher et al.	600/104
2007/0299387	A1	*	12/2007	Williams et al.	604/22
2009/0036745	A1	*	2/2009	Bonadio et al.	600/208
2009/0192352	A1	*	7/2009	Regadas et al.	600/114
2009/0227843	A1	*	9/2009	Smith et al.	600/208
2010/0081995	A1	*	4/2010	Widenhouse et al.	...	604/164.08
2010/0280368	A1	*	11/2010	Can et al.	600/431
2011/0166425	A1	*	7/2011	Edelman et al.	600/208

OTHER PUBLICATIONS

Storz catalog—Karl Storz Endoskope; Proctology 6th Edition Jan. 2003; 1 page.

Storz Catalog—Karl Storz Endoscopy America; Proctology 7th Edition Jan. 2010 US; pp. 83-86.

Storz Catalog—Karl Storz Die Welt Der EndoskooPie; Proktologie 7. Auagabe; Jan. 2010; pp. 82, 83, and 86.

Feußner, et al.; “Notes Über Den Transsigmoidalen Zugang”; Chirurg 2010 pp. 418-425. Apr. 1, 2010.

Olympus Instruction Manual for TEM Product; Copyright 2004; 32 pages.

Olympus Product Catalog for: Anoscopes, Proctoscopes, Rectoscopes, and TEM (transanal Endoscopic Microsurgery); Jan. 2005; 12 pages.

Olympus Product Information 05/03 for TEM System; Responsible Product Managers: Burghardt, et al.; 27 pages.

Olympus Product Information 16/02 for Procto-, Recto- System; Responsible Product Manager: Winkelmann; 20 pages.

Can, et al.; Set of Instruments for Innovative, Safe, and Sterile Sigmoid Access for Natural-Orifice Transluminal Endoscopic Surgery; Biomed Tech 2008; pp. 1-5.

Richard Wolf Brochure for: TEM Instrument System; retrieved via www.richardwolfusa.com; pp. 1-12.

Richard Wolf Brochure for: TEM Instrumentation; retrieved via www.richardwolfusa.com on Oct. 25, 2011; pp. 1-3.

Burghardt MD, et al.; “Transanal Endoscopic Microsurgery [TEM]: A New Technique and Development During a Time Period of 20 Years”; Surgical Technology International XIV; Copyright 2006; pp. 131-137.

* cited by examiner

Primary Examiner — Bridget L Eland

(74) *Attorney, Agent, or Firm* — St. Onge Steward Johnston & Reens LLC

(57) **CLAIM**

The ornamental design for a rectoscope, as shown and described.

DESCRIPTION

FIG. 1 is a front perspective view of a rectoscope in accordance with the new design;

FIG. 2 is a right side isometric view thereof;

FIG. 3 is a left side isometric view thereof;

FIG. 4 is a front isometric view thereof;

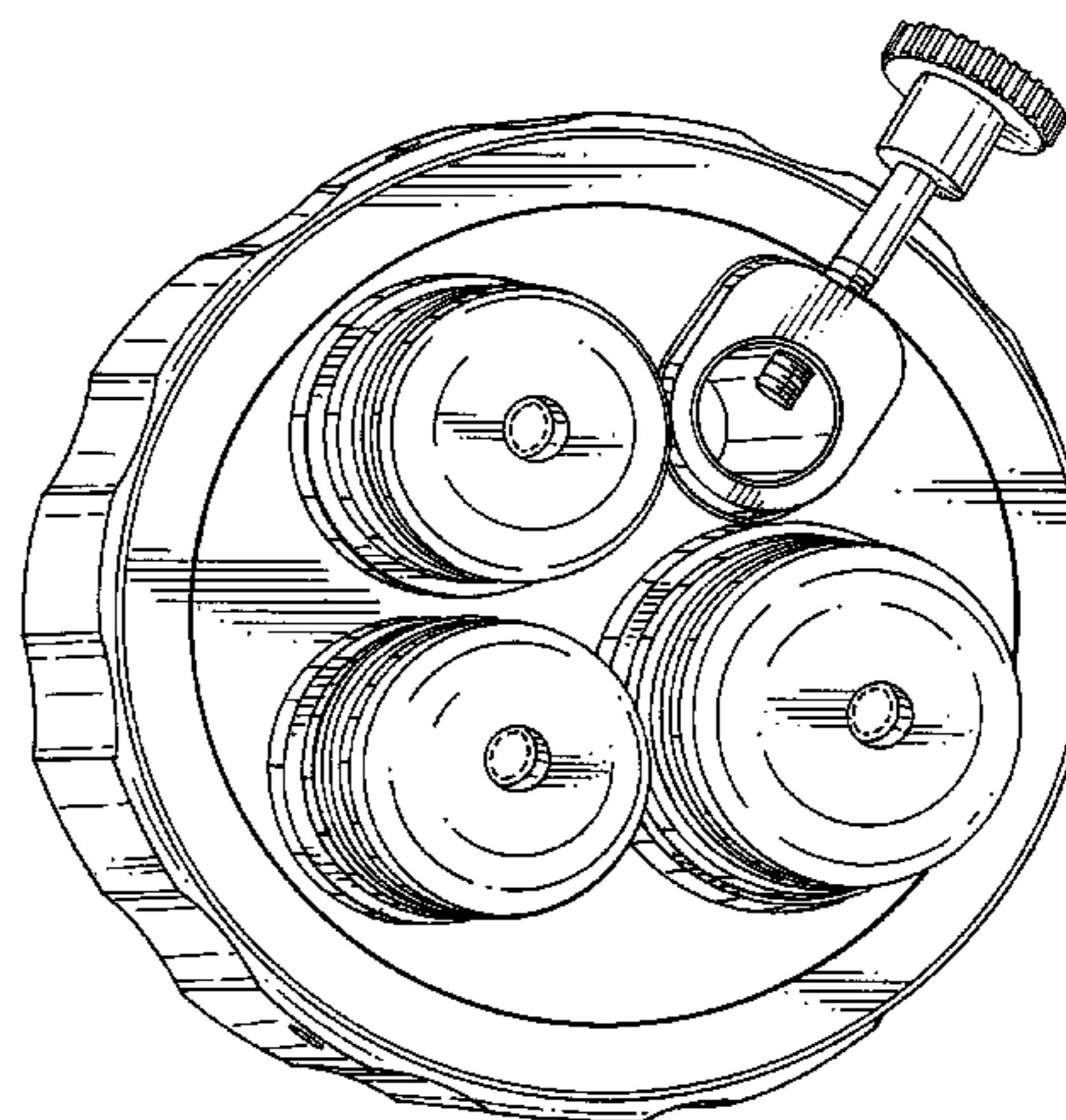
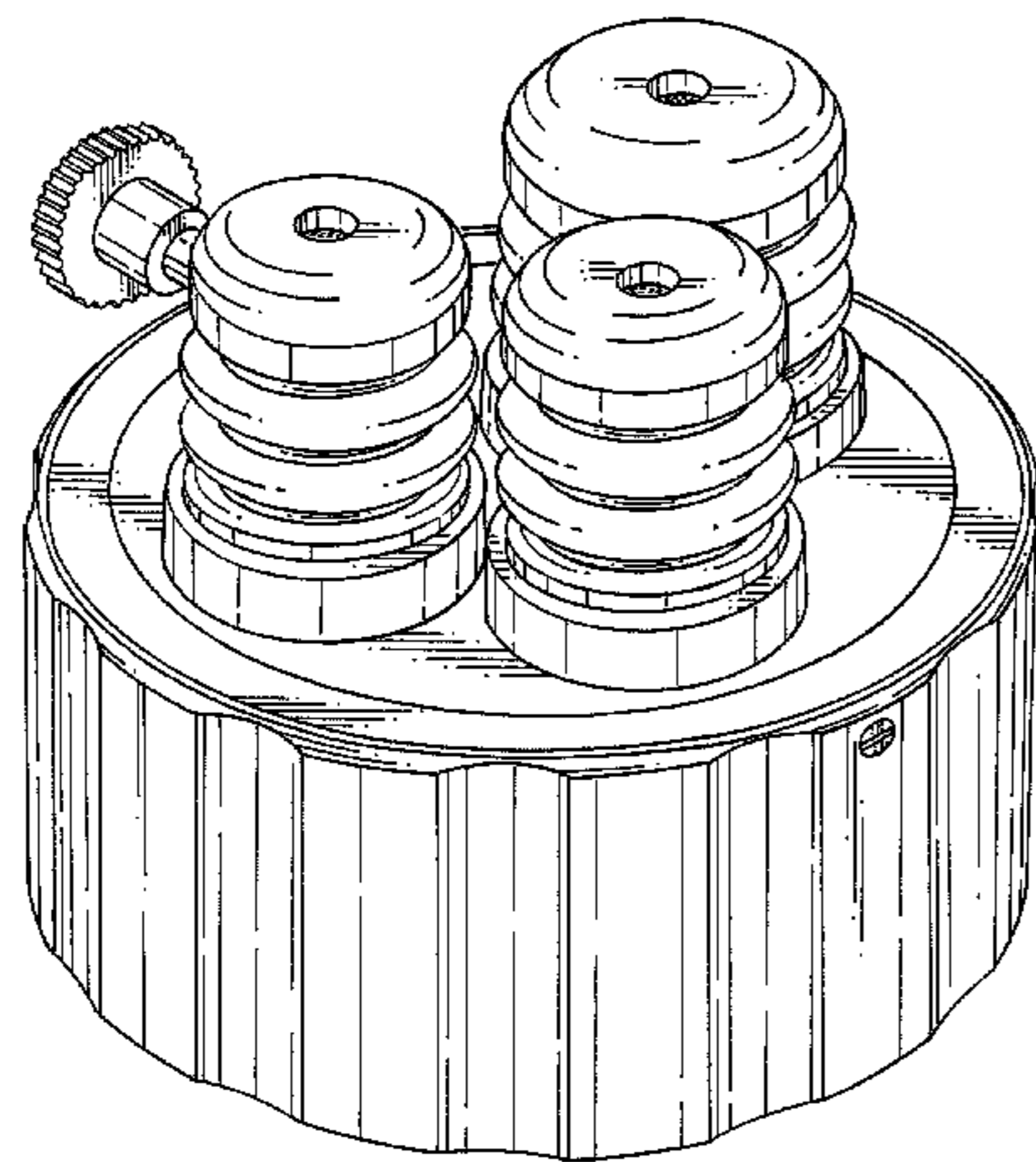
FIG. 5 is a rear isometric view thereof;

FIG. 6 is a top isomeric view thereof; and,

FIG. 7 is a bottom isometric view thereof.

The broken lines shown in FIG. 1 and FIG. 6 represent the bounds of the claimed designs and form no part of the claimed design.

1 Claim, 7 Drawing Sheets



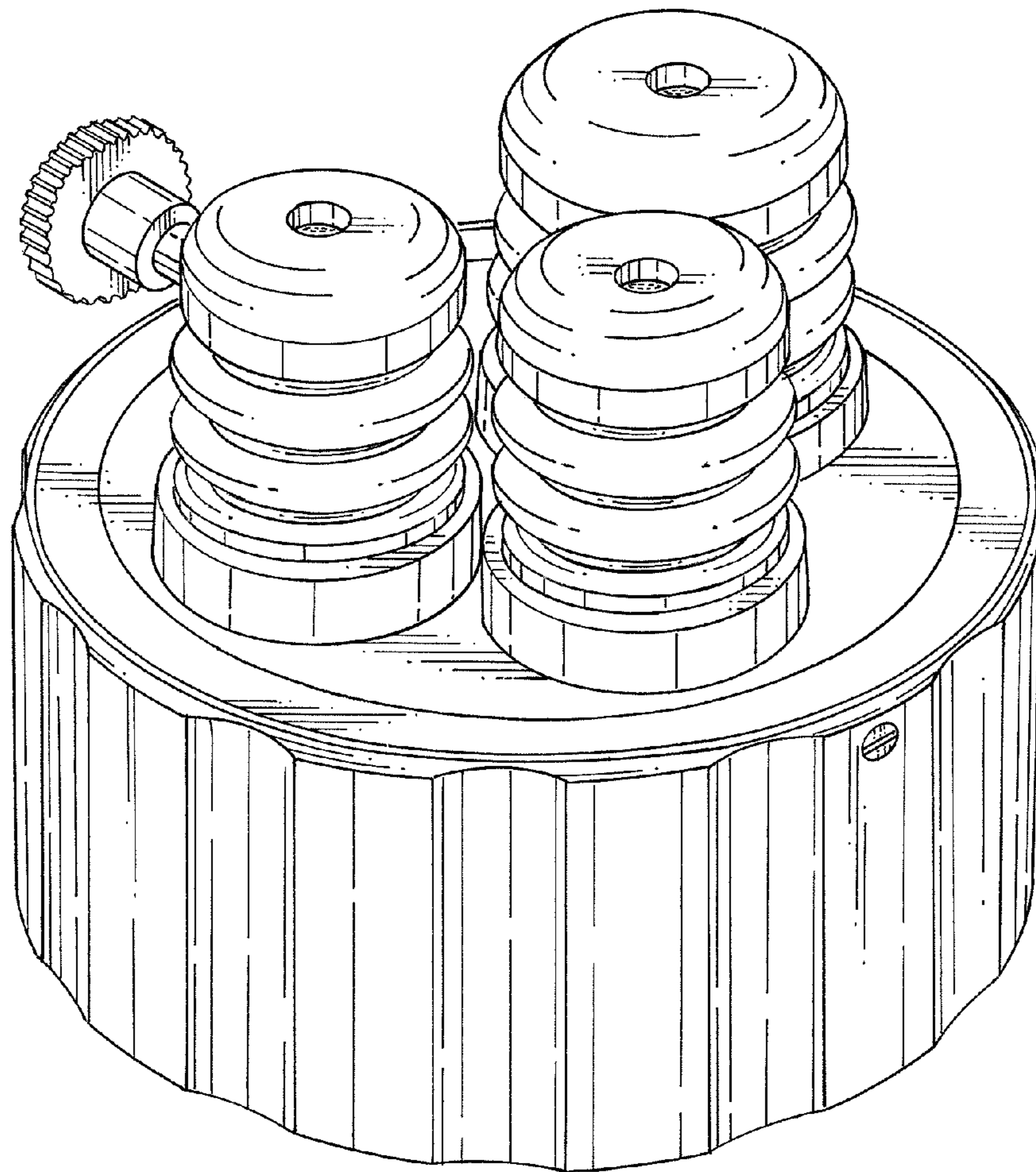


FIG. 1

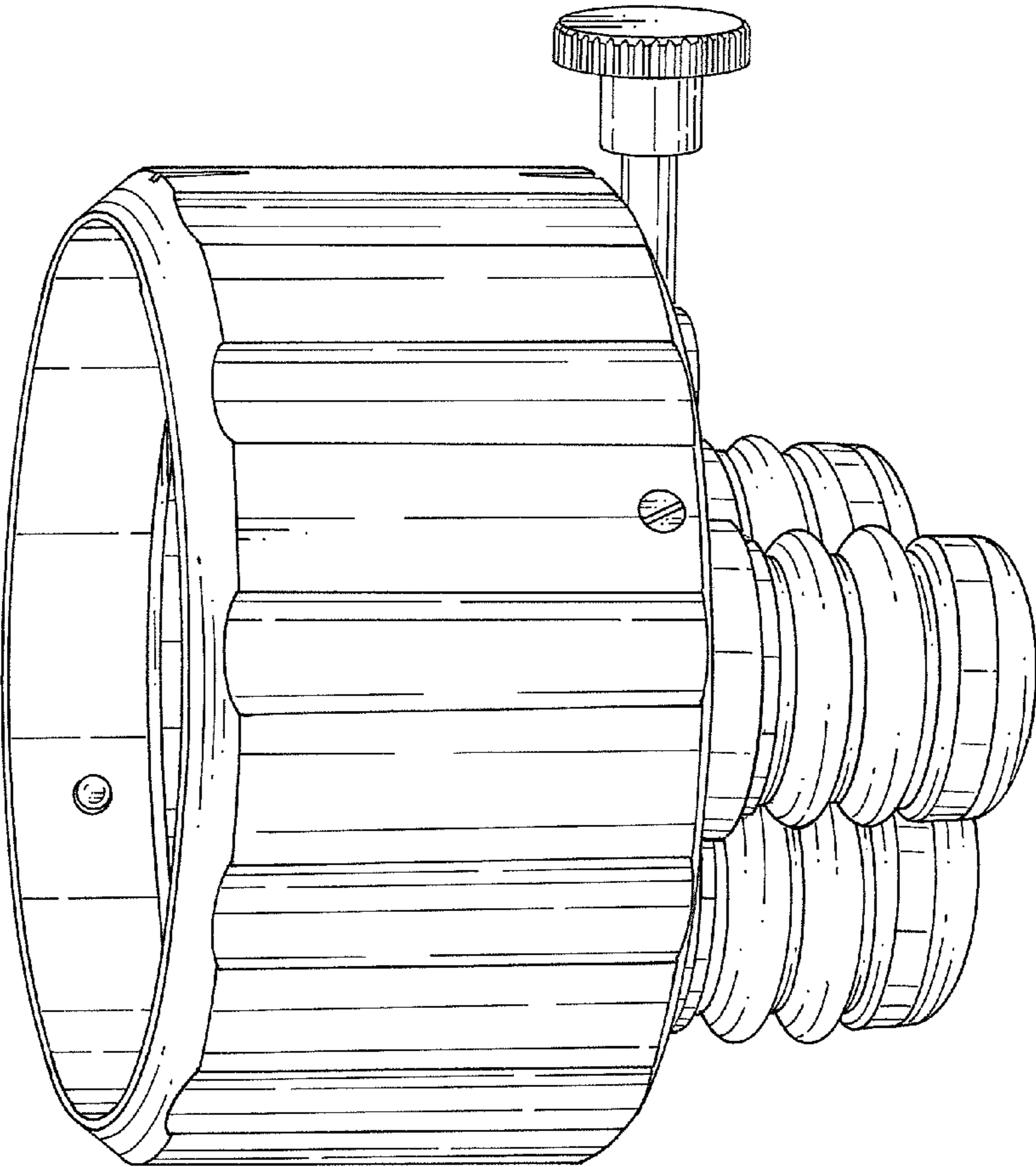


FIG. 2

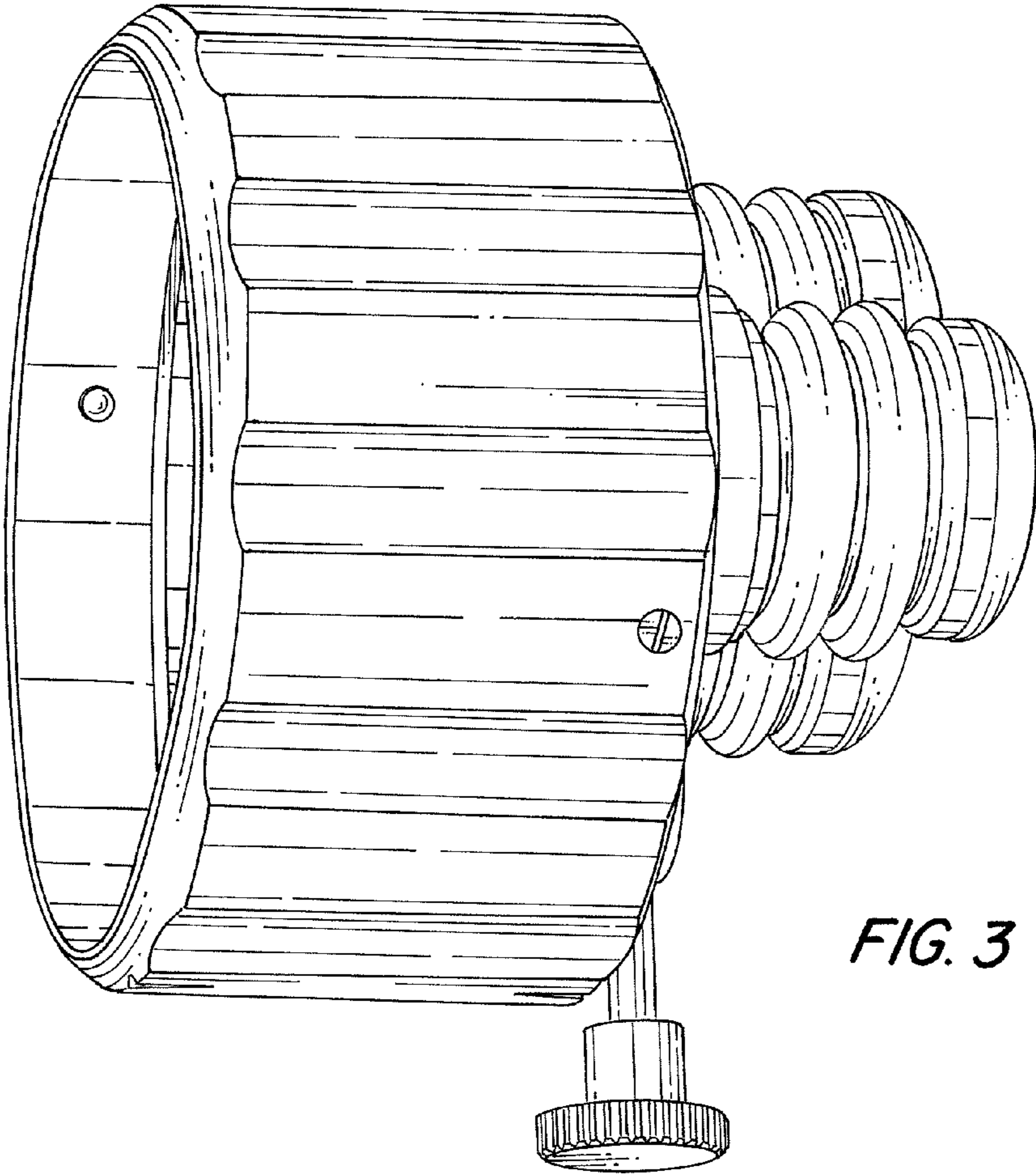


FIG. 3

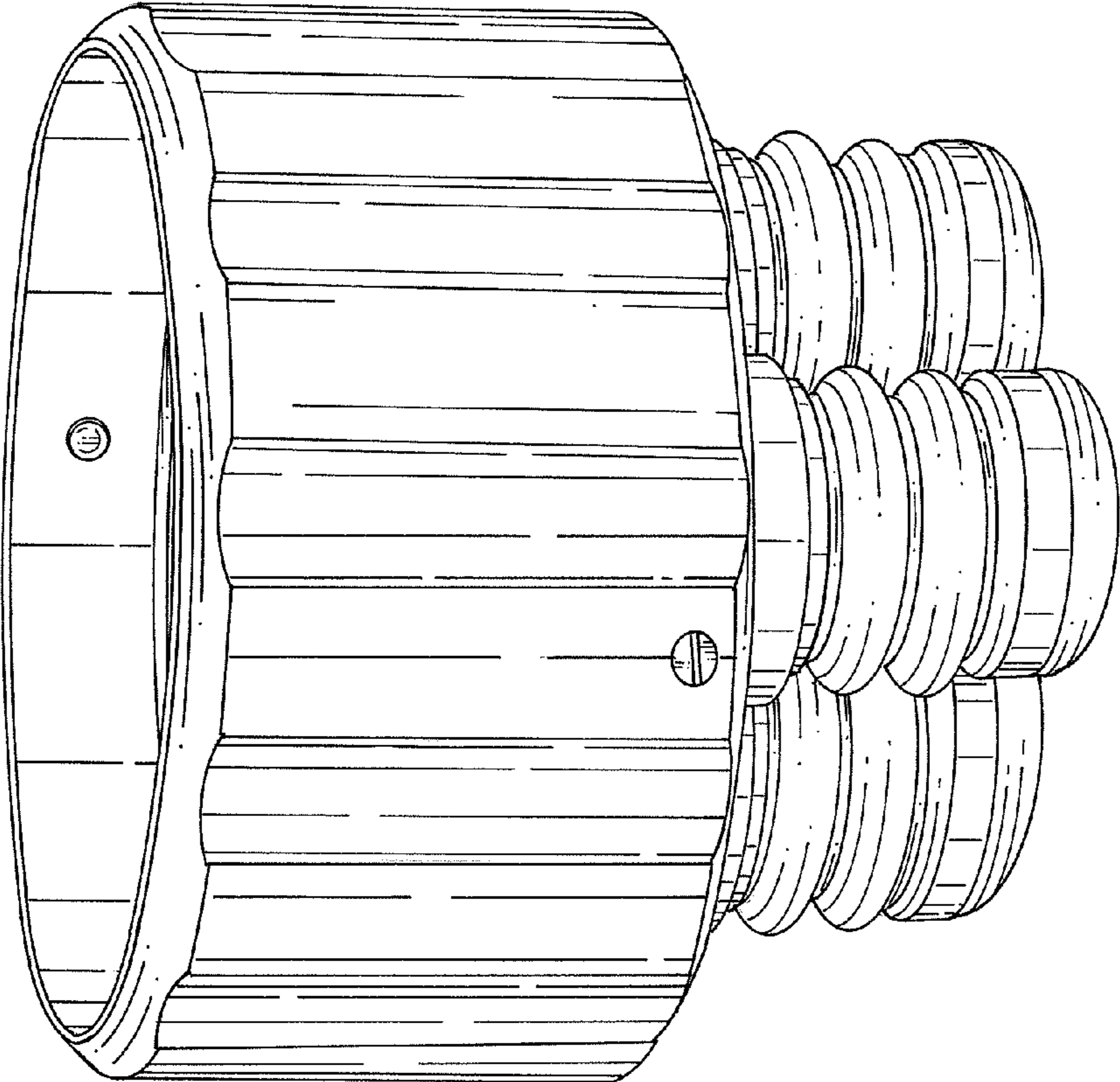


FIG. 4

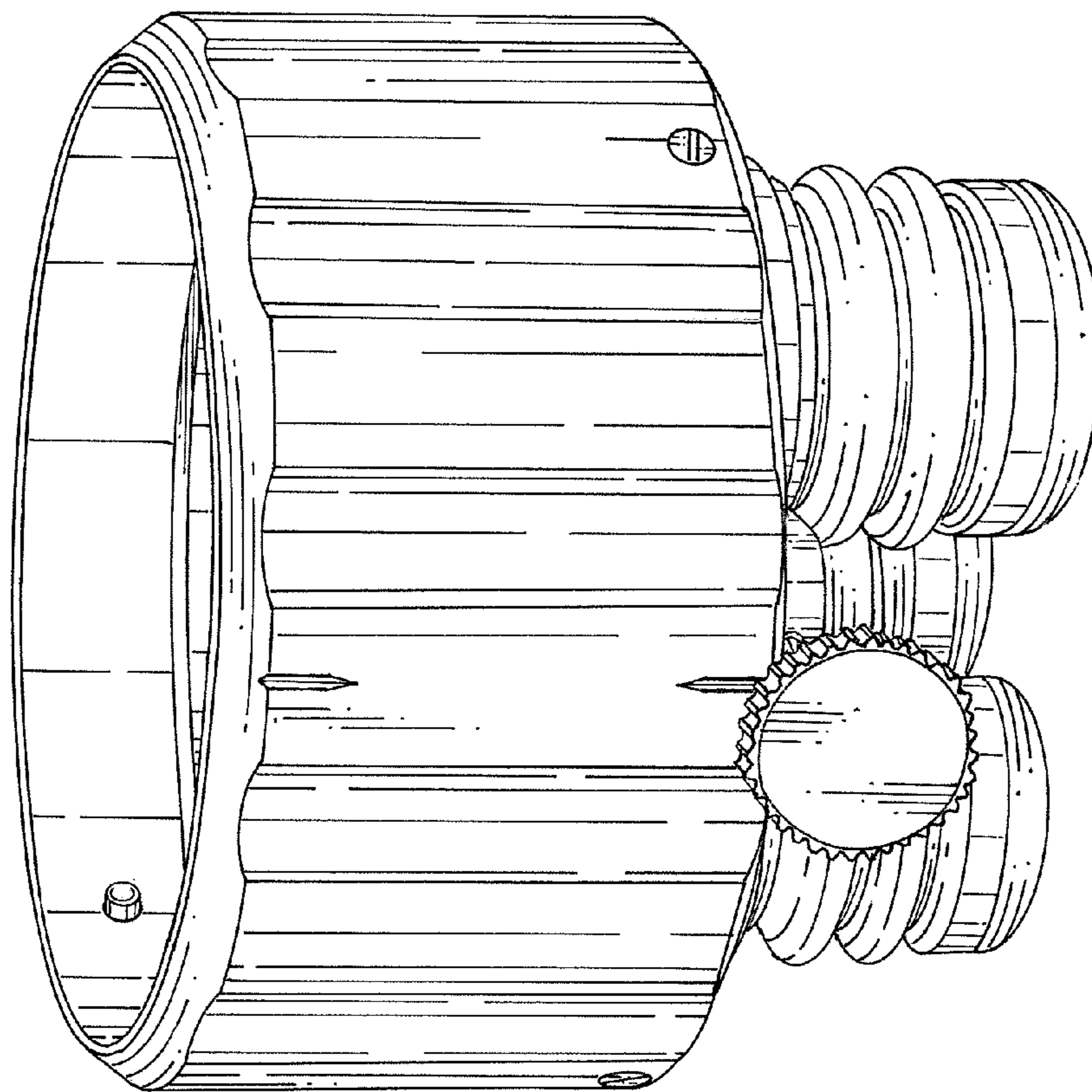


FIG. 5

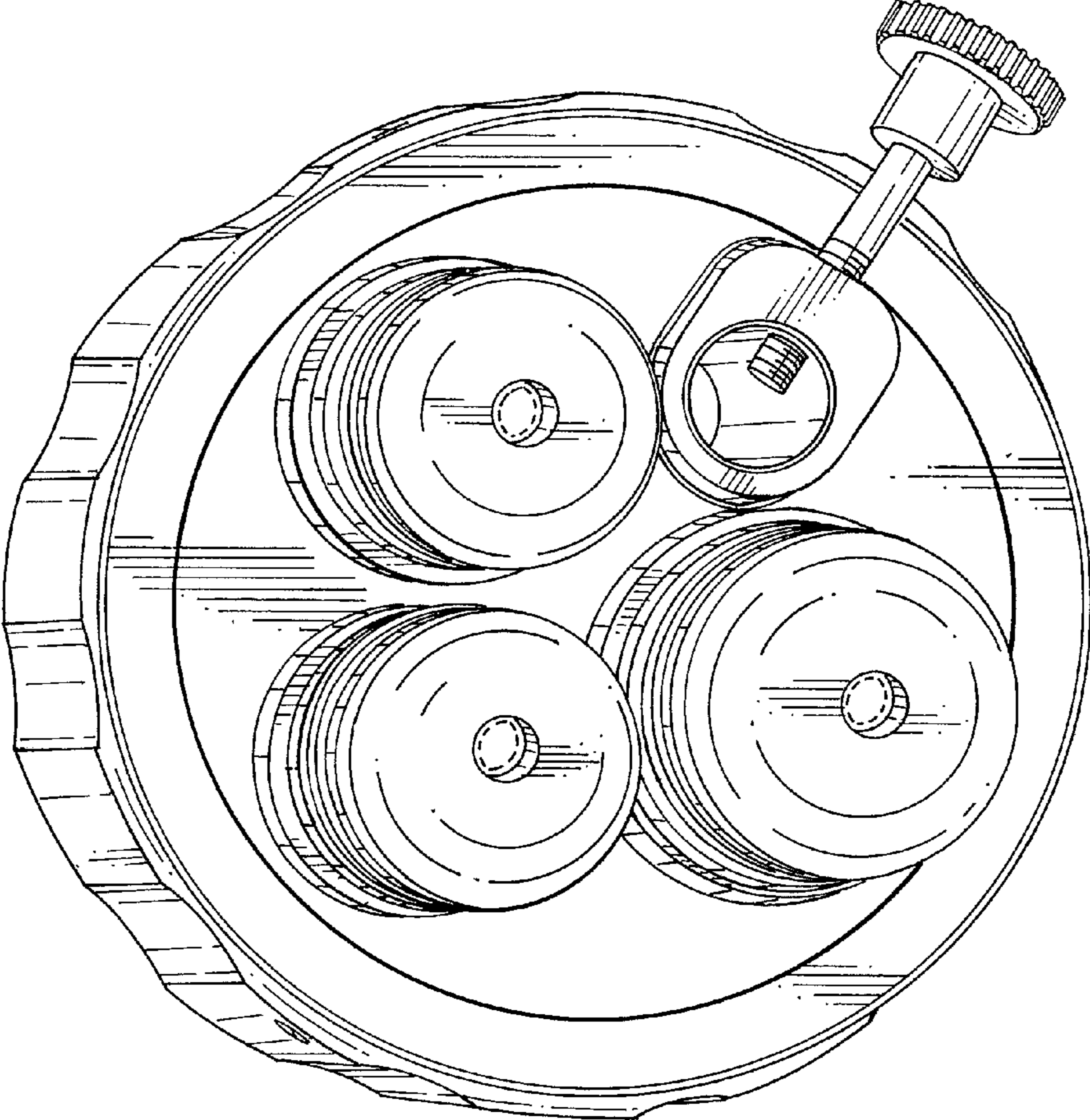


FIG. 6

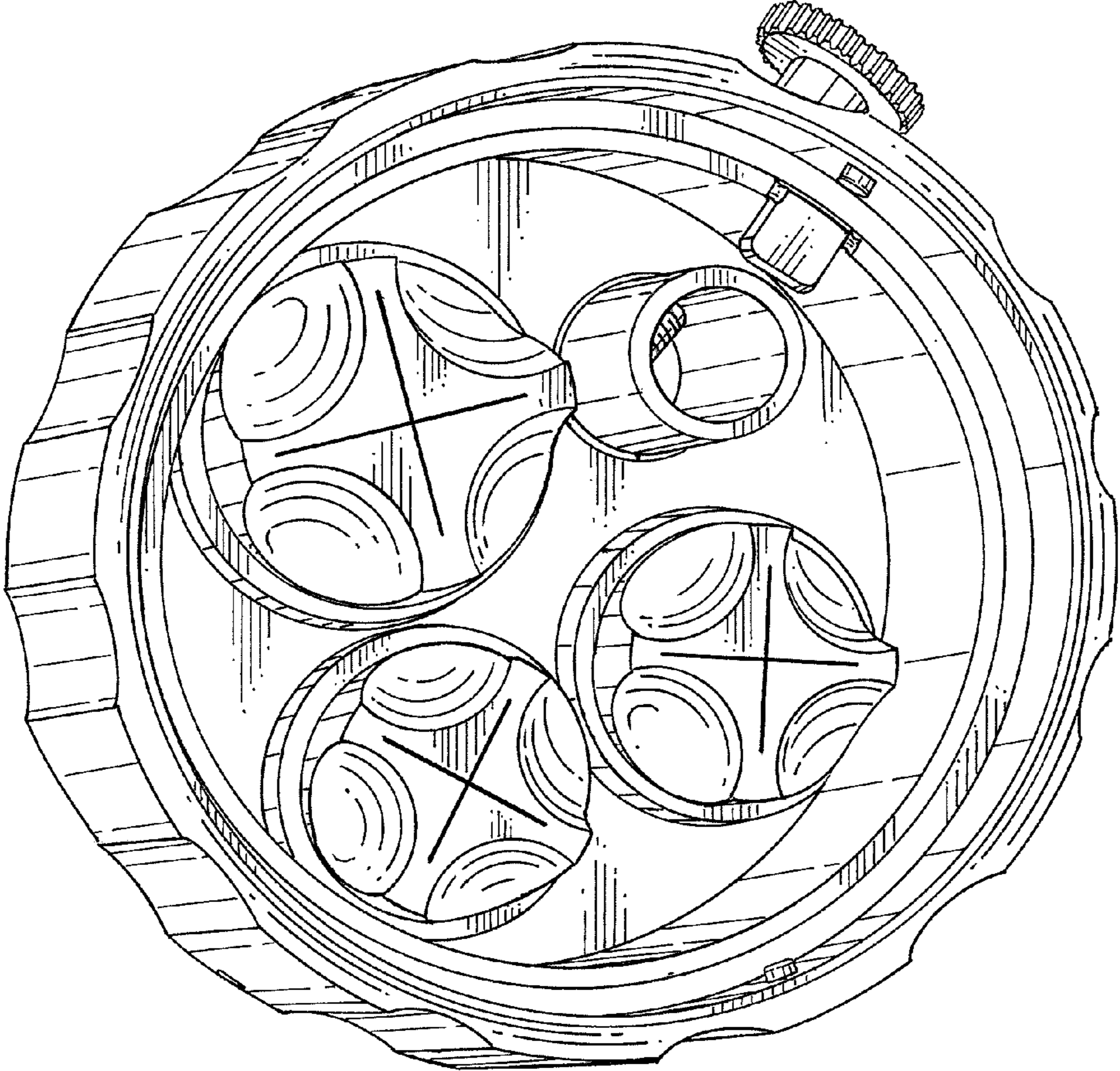


FIG. 7