



US00D670804S

(12) **United States Design Patent**  
**March**

(10) **Patent No.:** **US D670,804 S**

(45) **Date of Patent:** **\*\* Nov. 13, 2012**

(54) **DROPPER**

(75) Inventor: **Graham Alan March**, Surrey (GB)

(73) Assignee: **Special Products Limited** (GB)

(\*\*) Term: **14 Years**

(21) Appl. No.: **29/364,270**

(22) Filed: **Jun. 21, 2010**

(30) **Foreign Application Priority Data**

Dec. 22, 2009 (EM) ..... 001650698

(51) **LOC (9) Cl.** ..... **24-02**

(52) **U.S. Cl.** ..... **D24/115**

(58) **Field of Classification Search** ..... D24/115,  
D24/117, 223, 226, 222; 222/209, 207, 215,  
222/541.6, 541.4, 541.9; D9/695-699, 529;  
206/529; 604/3, 298; 215/47, 48; 128/200.24  
See application file for complete search history.

(56) **References Cited**

**U.S. PATENT DOCUMENTS**

D303,151 S *	8/1989	Saint-Amand .....	D24/222
D375,352 S *	11/1996	Bologna .....	D24/115
5,678,736 A *	10/1997	Hansen .....	222/209
D392,184 S *	3/1998	Weiler .....	D9/696
D458,366 S *	6/2002	Hellberg et al. ....	D24/115
D467,336 S *	12/2002	Gilbard et al. ....	D24/115

D471,628 S *	3/2003	Louviere .....	D24/115
D487,397 S *	3/2004	Peghini .....	D9/696
D492,407 S *	6/2004	Masuda et al. ....	D24/115
D517,207 S *	3/2006	Poynter .....	D24/115
D538,424 S *	3/2007	Zahn et al. ....	D24/115
7,219,816 B1 *	5/2007	Xia et al. ....	222/209
D618,339 S *	6/2010	Hansen .....	D24/115

\* cited by examiner

*Primary Examiner* — David Muller

(74) *Attorney, Agent, or Firm* — Kilpatrick Townsend & Stockton LLP

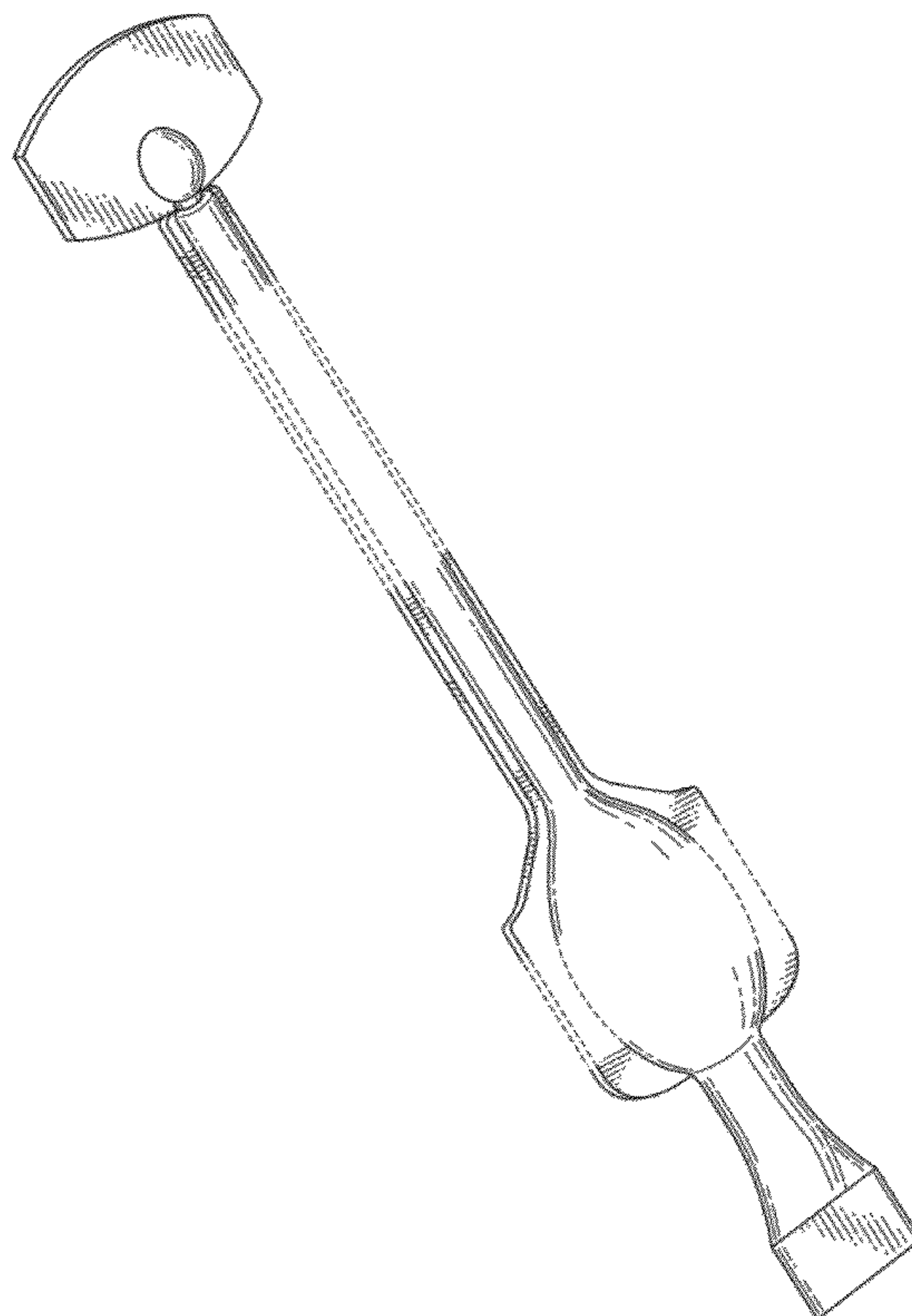
(57) **CLAIM**

The ornamental design for a dropper, as shown and described.

**DESCRIPTION**

FIG. 1 is a perspective view of a dropper showing my new design;  
FIG. 2 is a front elevation view thereof;  
FIG. 3 is a rear elevation view thereof;  
FIG. 4 is a right side elevation view thereof;  
FIG. 5 is a left side elevation view thereof;  
FIG. 6 is a top plan view thereof; and,  
FIG. 7 is a bottom plan view thereof.  
The broken line portions depicted with the claimed dropper are shown to indicate that the precise length of the tubing and the precise shape and size of the reservoir are not claimed. None of the broken lines form any part of the claimed design. The subject design is directed toward ornamental aspects of a dropper for personal, medical or laboratory purposes.

**1 Claim, 4 Drawing Sheets**



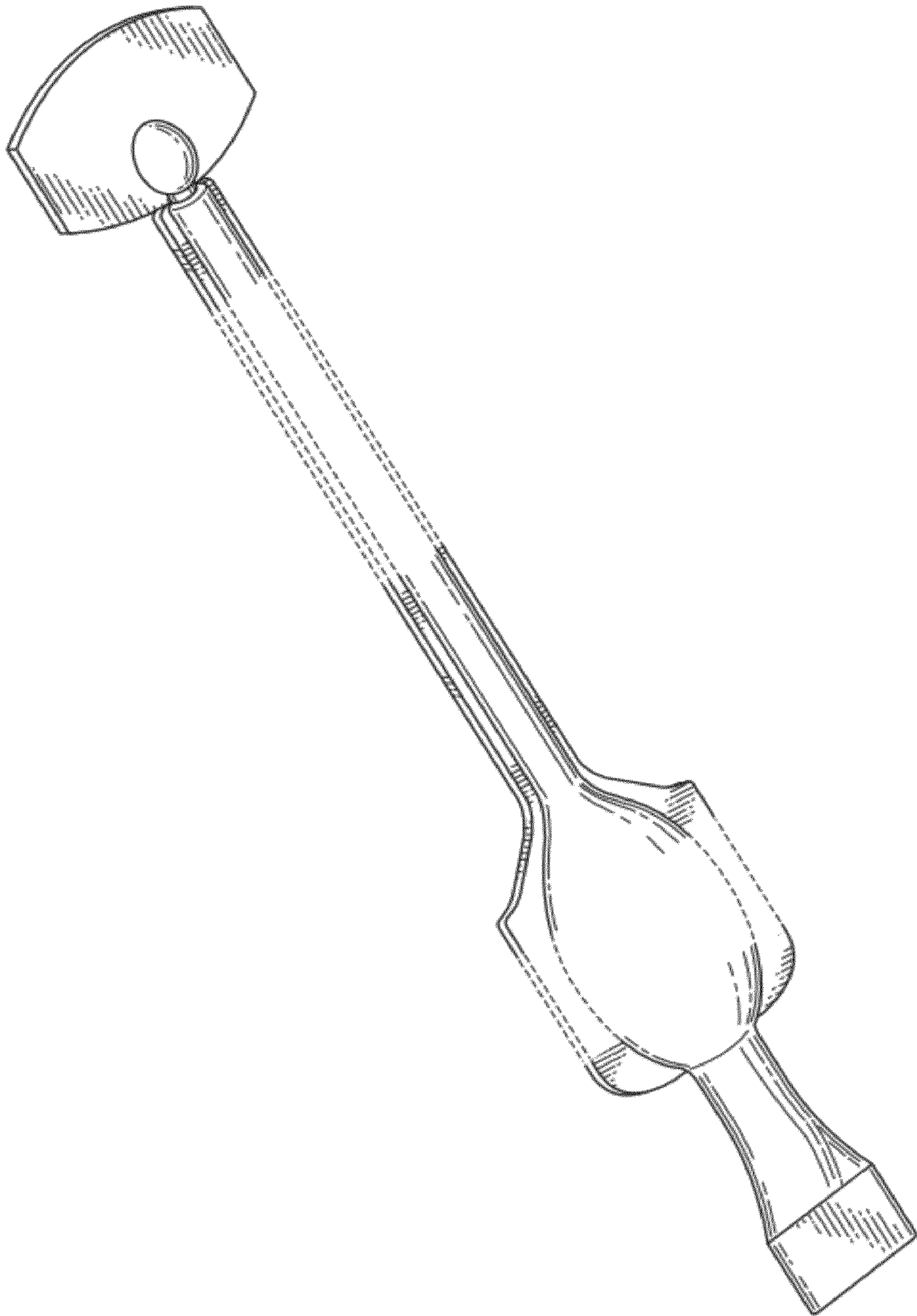


FIG. 1



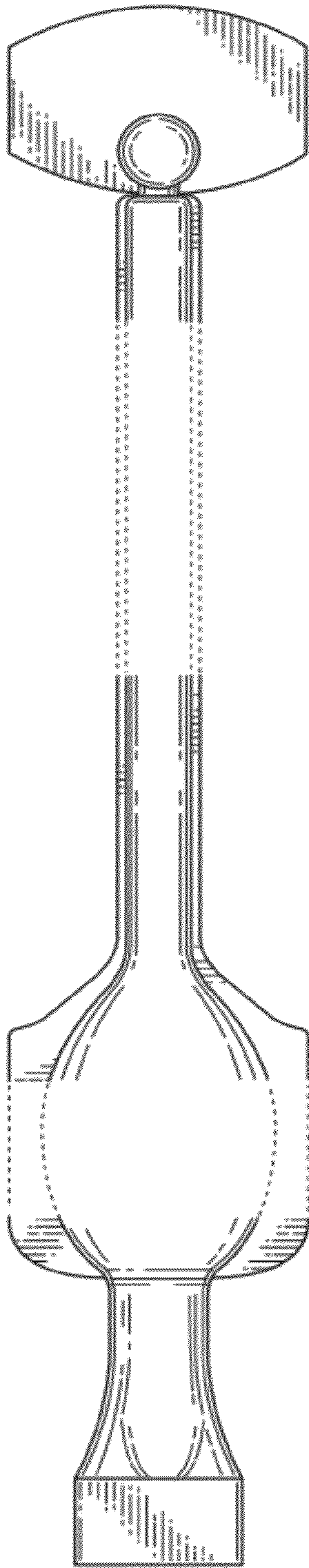


FIG. 2

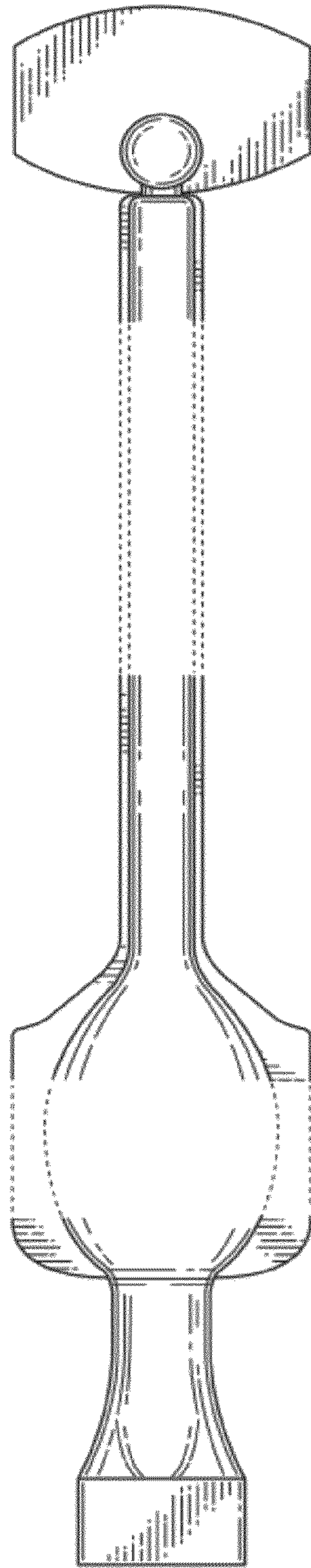


FIG. 3

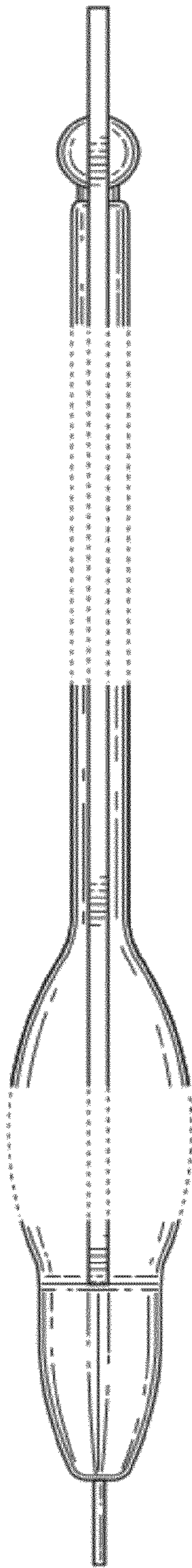


FIG. 4

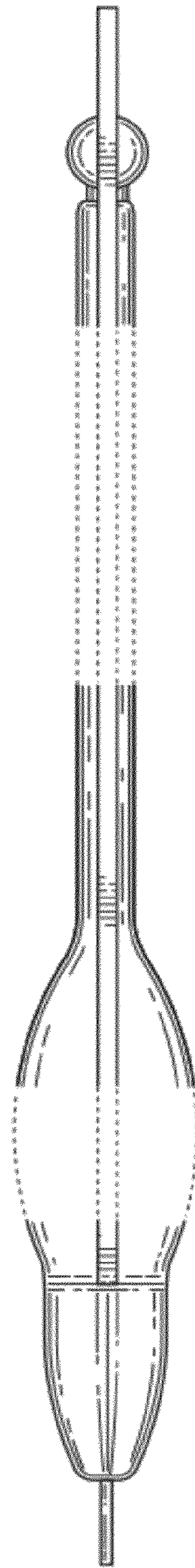


FIG. 5



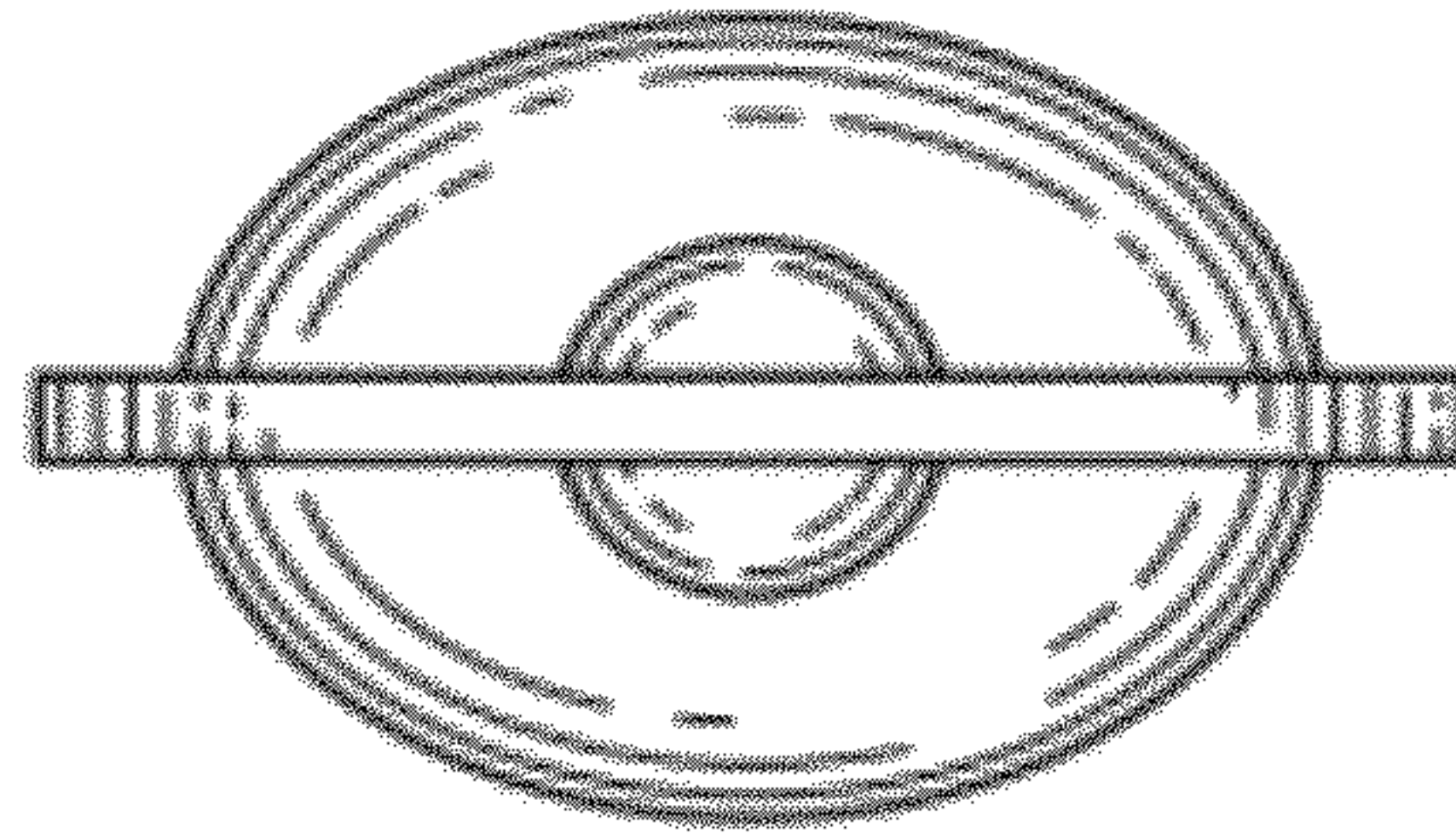


FIG. 6

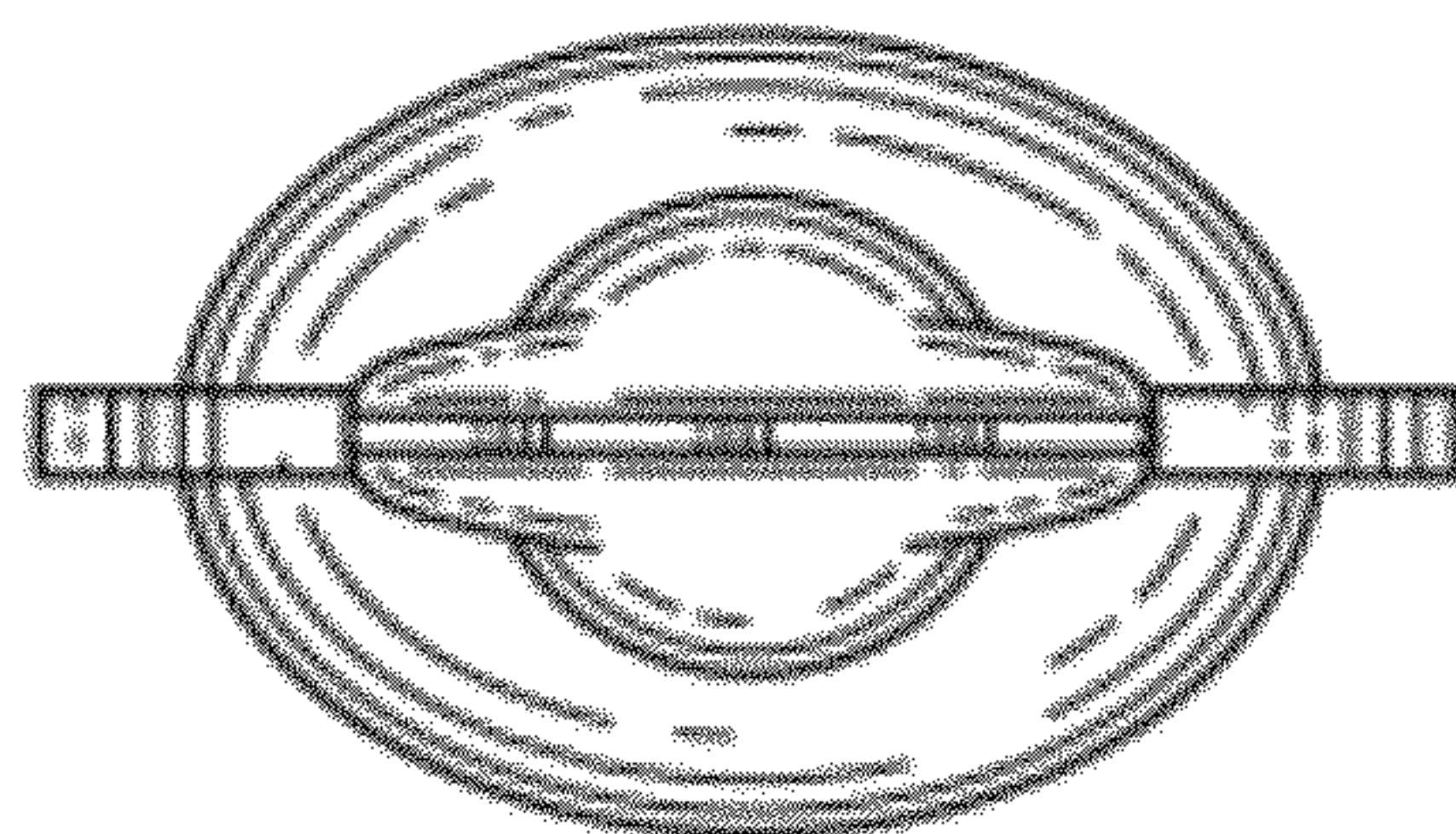


FIG. 7