



US00D670801S

(12) **United States Design Patent**  
**Searle**

(10) **Patent No.:** **US D670,801 S**

(45) **Date of Patent:** **\*\* Nov. 13, 2012**

(54) **FAN BLADE BRACKET**

(75) Inventor: **Scott Searle**, Encino, CA (US)

(73) Assignee: **Air Cool Industrial Co., Ltd.**, Taichung (TW)

(\*\*) Term: **14 Years**

(21) Appl. No.: **29/385,285**

(22) Filed: **Feb. 11, 2011**

(51) **LOC (9) Cl.** ..... **23-04**

(52) **U.S. Cl.** ..... **D23/411**

(58) **Field of Classification Search** ..... D13/179;  
D23/370-394, 411-414; D26/51, 59, 72,  
D26/81-86; 34/169; 52/302.1, 302.7; 55/DIG. 36;  
123/41.7; 126/58, 60, 61, 64-66, 84, 299 D-299 F,  
126/299 R, 300, 301, 312, 531; 138/118,  
138/121, 172, 173, 177; 165/54, 59; 285/133.6;  
392/364; 415/126, 127, 213.1, 214.1; 416/5,  
416/204 R, 210 R, 234, 237, 244 R, 247 R;  
454/41, 42, 233, 236, 250-253, 275-277,  
454/284, 309, 367, 368

See application file for complete search history.

(56) **References Cited**

**U.S. PATENT DOCUMENTS**

D351,020 S \* 9/1994 Arnold ..... D23/377

D532,104 S \* 11/2006 Pickett ..... D23/411  
D555,781 S \* 11/2007 Glasbrenner ..... D23/411  
D573,245 S \* 7/2008 Pan ..... D23/411  
D594,540 S \* 6/2009 Pan ..... D23/377  
D627,054 S \* 11/2010 Pan ..... D23/411  
D627,869 S \* 11/2010 Pan ..... D23/377  
D628,286 S \* 11/2010 Yang ..... D23/411  
D648,843 S \* 11/2011 Chen ..... D23/411

\* cited by examiner

*Primary Examiner* — Garth Rademaker

(74) *Attorney, Agent, or Firm* — Ming Chow; Sinorica, LLC

(57) **CLAIM**

I claim the ornamental design for a fan blade bracket, as shown and described.

**DESCRIPTION**

FIG. 1 is a front perspective view of a fan blade bracket showing my new design;

FIG. 2 is a front elevational view thereof;

FIG. 3 is a rear elevational view thereof.

FIG. 4 is a left side elevational view thereof;

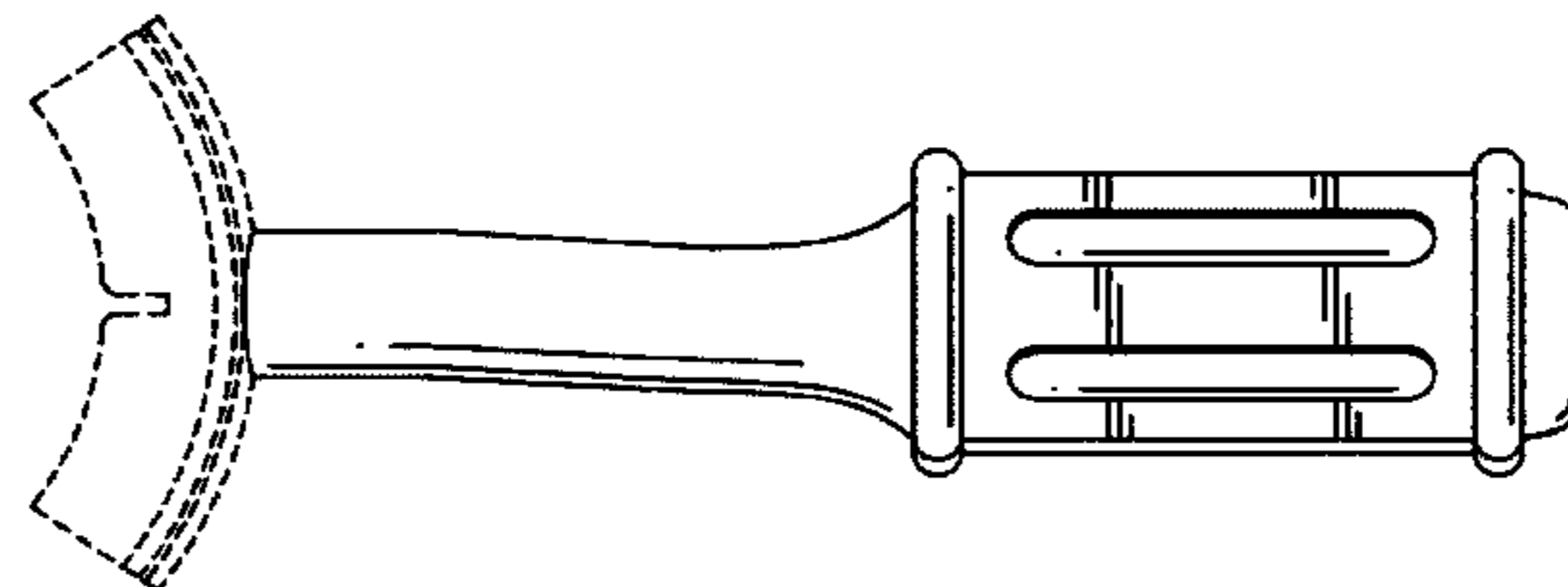
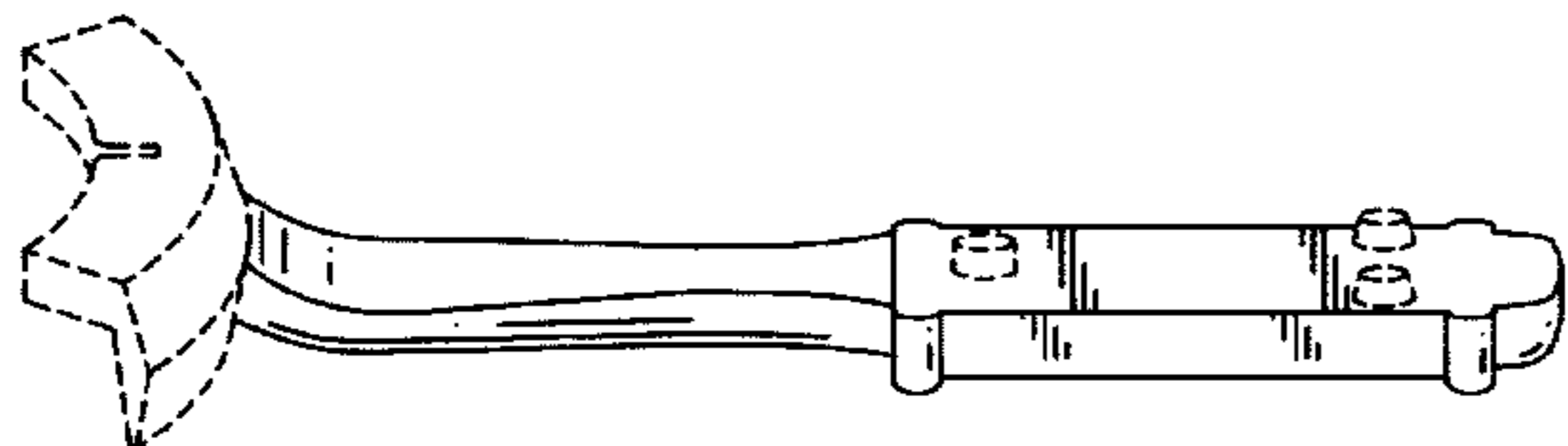
FIG. 5 is a right side elevational view thereof;

FIG. 6 is a top plan view thereof; and,

FIG. 7 is a bottom plan view thereof.

The broken lines depict environmental subject matter only and form no part of the claimed design.

**1 Claim, 4 Drawing Sheets**



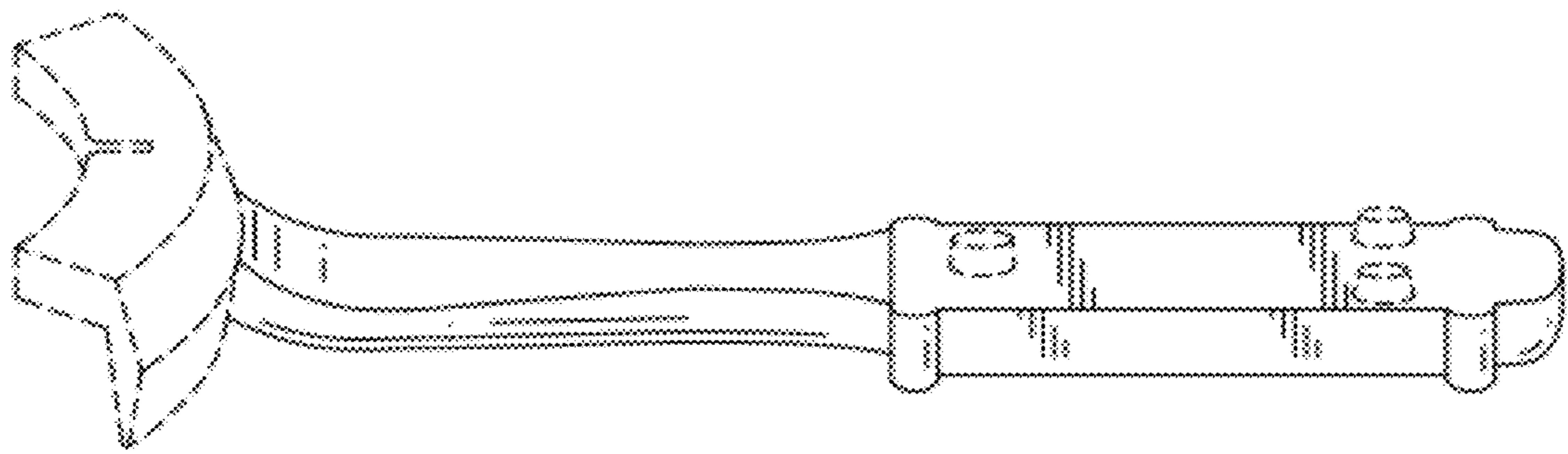


FIG. 1

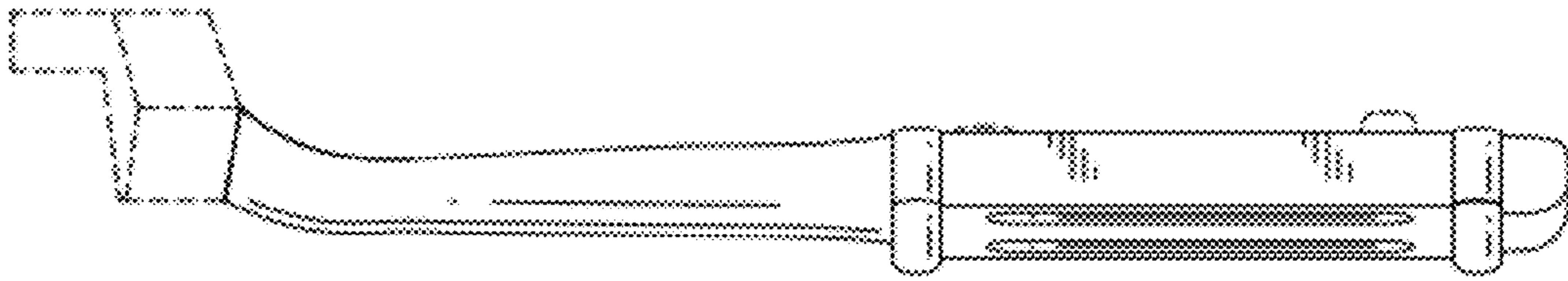


FIG. 2

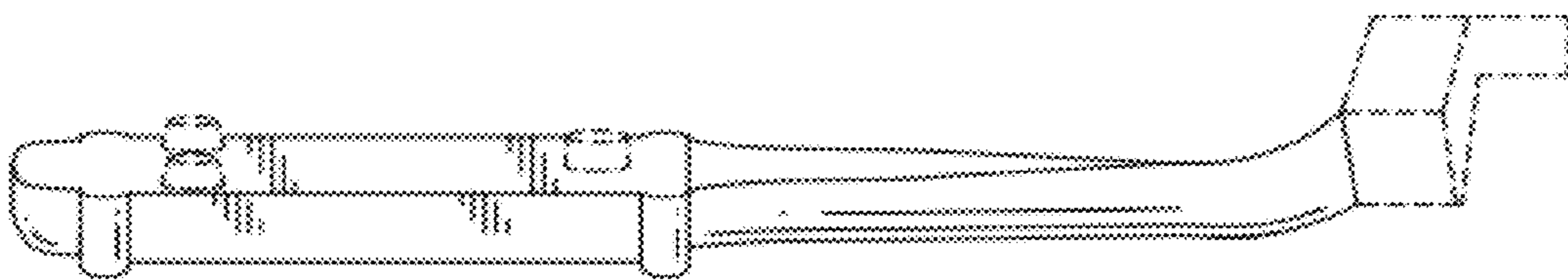


FIG. 3

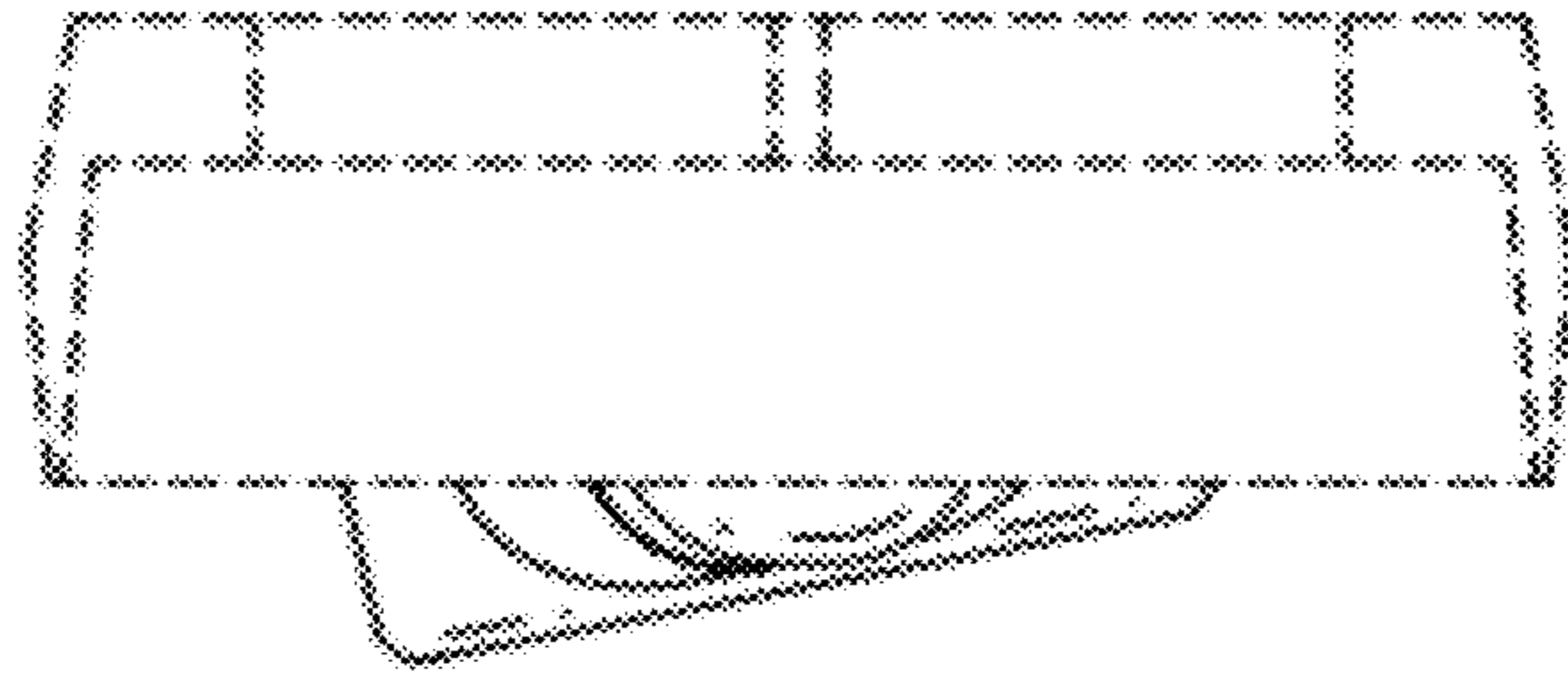


FIG. 4

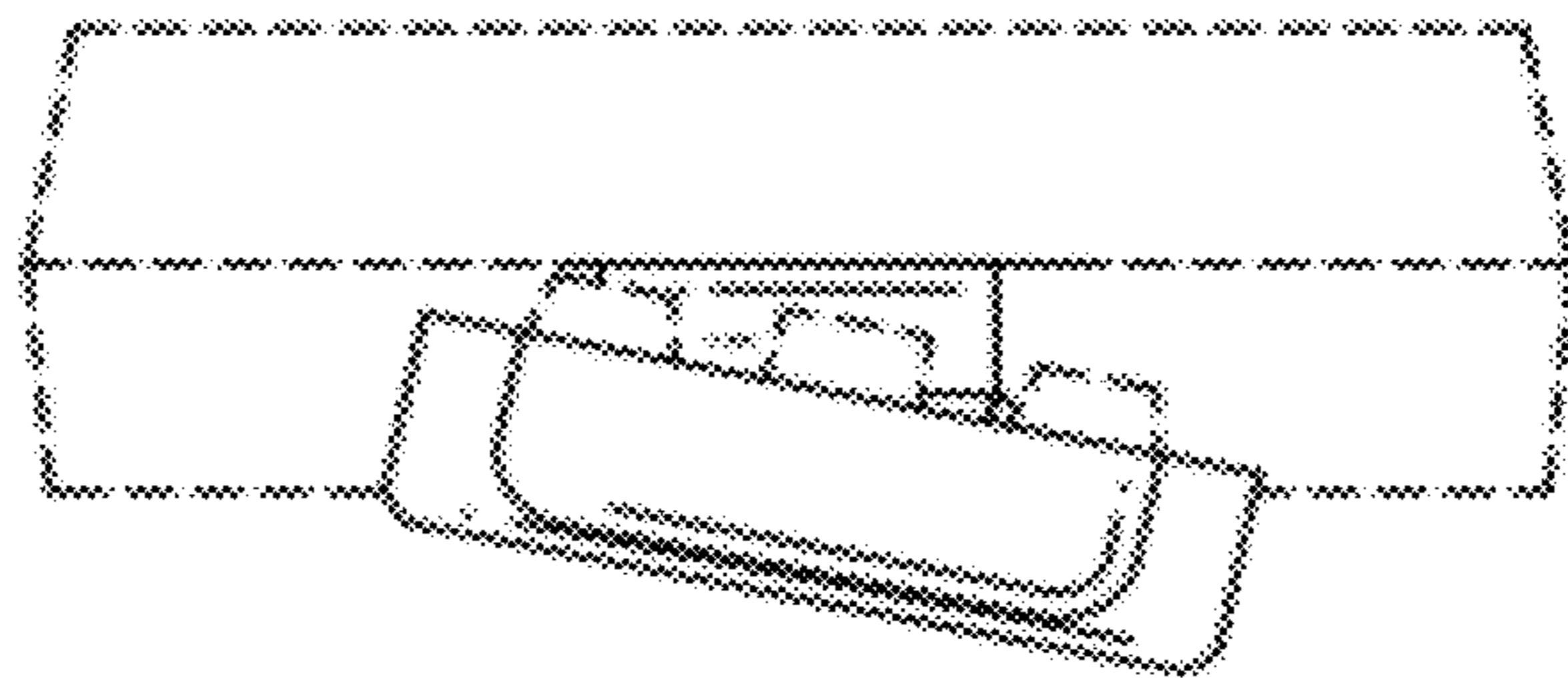


FIG. 5

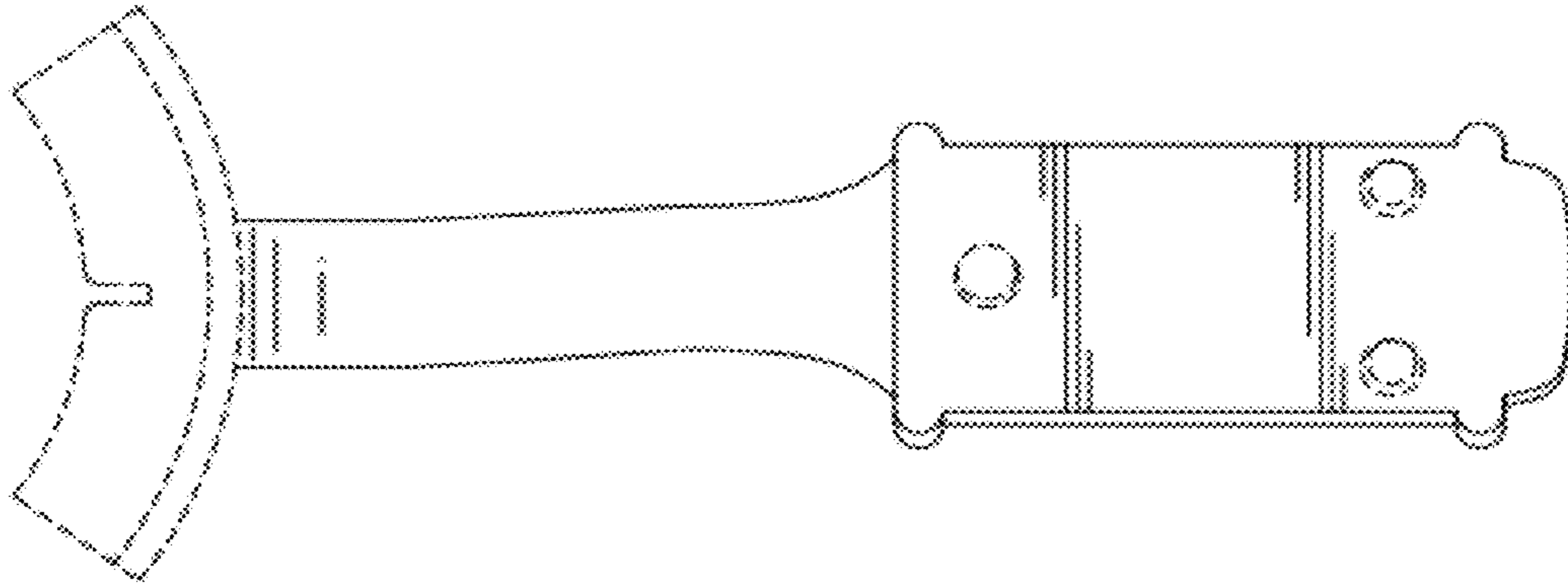


FIG. 6

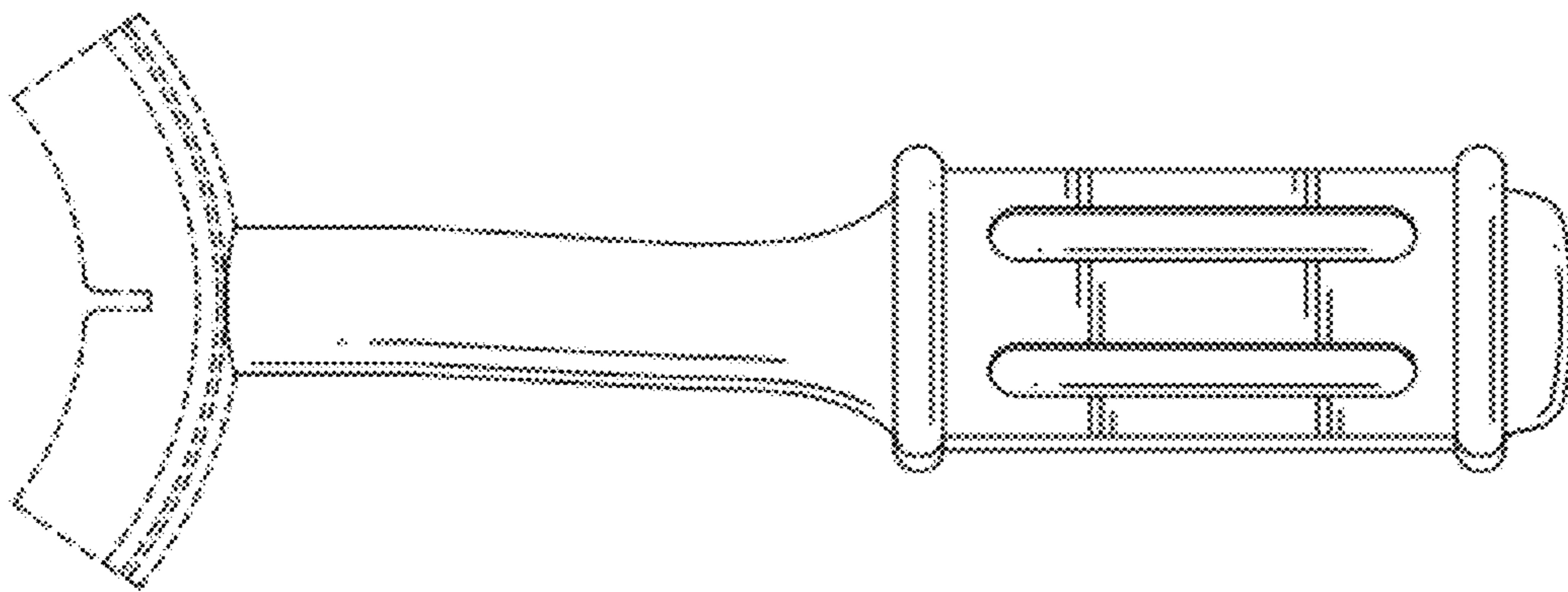


FIG. 7