



US00D670800S

(12) **United States Design Patent**
Hadi

(10) **Patent No.:** **US D670,800 S**

(45) **Date of Patent:** **** Nov. 13, 2012**

(54) **FIREPLACE**

(76) Inventor: **Mohammed Hadi**, Fort Myers, FL (US)

(**) Term: **14 Years**

(21) Appl. No.: **29/420,437**

(22) Filed: **May 9, 2012**

(51) **LOC (9) Cl.** **23-03**

(52) **U.S. Cl.** **D23/404**

(58) **Field of Classification Search** D23/403-405,
D23/415-419, 499, 343, 345, 349; D7/407;
52/36.3; 126/500, 547; 160/DIG. 9; 431/127,
431/129, 191, 258, 326, 354

See application file for complete search history.

(56) **References Cited**

U.S. PATENT DOCUMENTS

D4,961 S *	5/1871	Evans et al.	D23/404
D19,872 S *	6/1890	Anderson	D23/404
493,404 A *	3/1893	House	52/36.3
D40,980 S *	11/1910	Minier et al.	D23/386
D147,366 S *	8/1947	Grossniklaus	D23/404

2,503,945 A *	4/1950	Grossniklaus	119/247
D643,109 S *	8/2011	Hadi	D23/404
D643,525 S *	8/2011	Hadi	D23/404
D645,551 S *	9/2011	Hadi	D23/404
2005/0178075 A1 *	8/2005	Vu et al.	52/36.3

* cited by examiner

Primary Examiner — Karen S Acker

(57) **CLAIM**

The ornamental design for a fireplace, as shown and described.

DESCRIPTION

FIG. 1 is a front perspective view of fireplace showing my new and original design;

FIG. 2 is a front elevation view thereof;

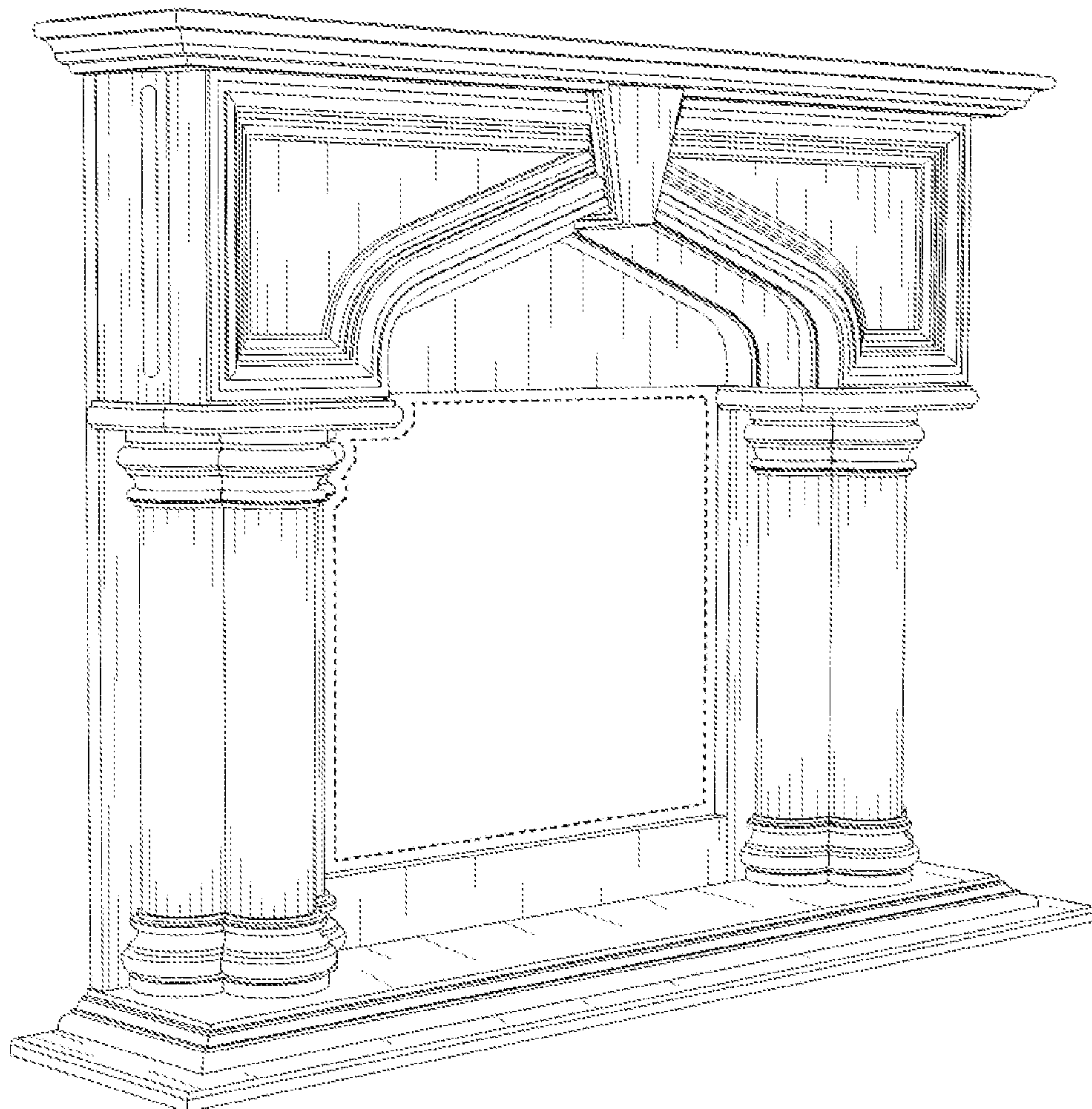
FIG. 3 is a top view thereof;

FIG. 4 is a right side elevation view thereof; and,

FIG. 5 is a left side elevation view thereof.

The rear and bottom of the design form no part of the claimed design. The broken lines and area within the broken lines represent unclaimed environmental subject matter.

1 Claim, 3 Drawing Sheets



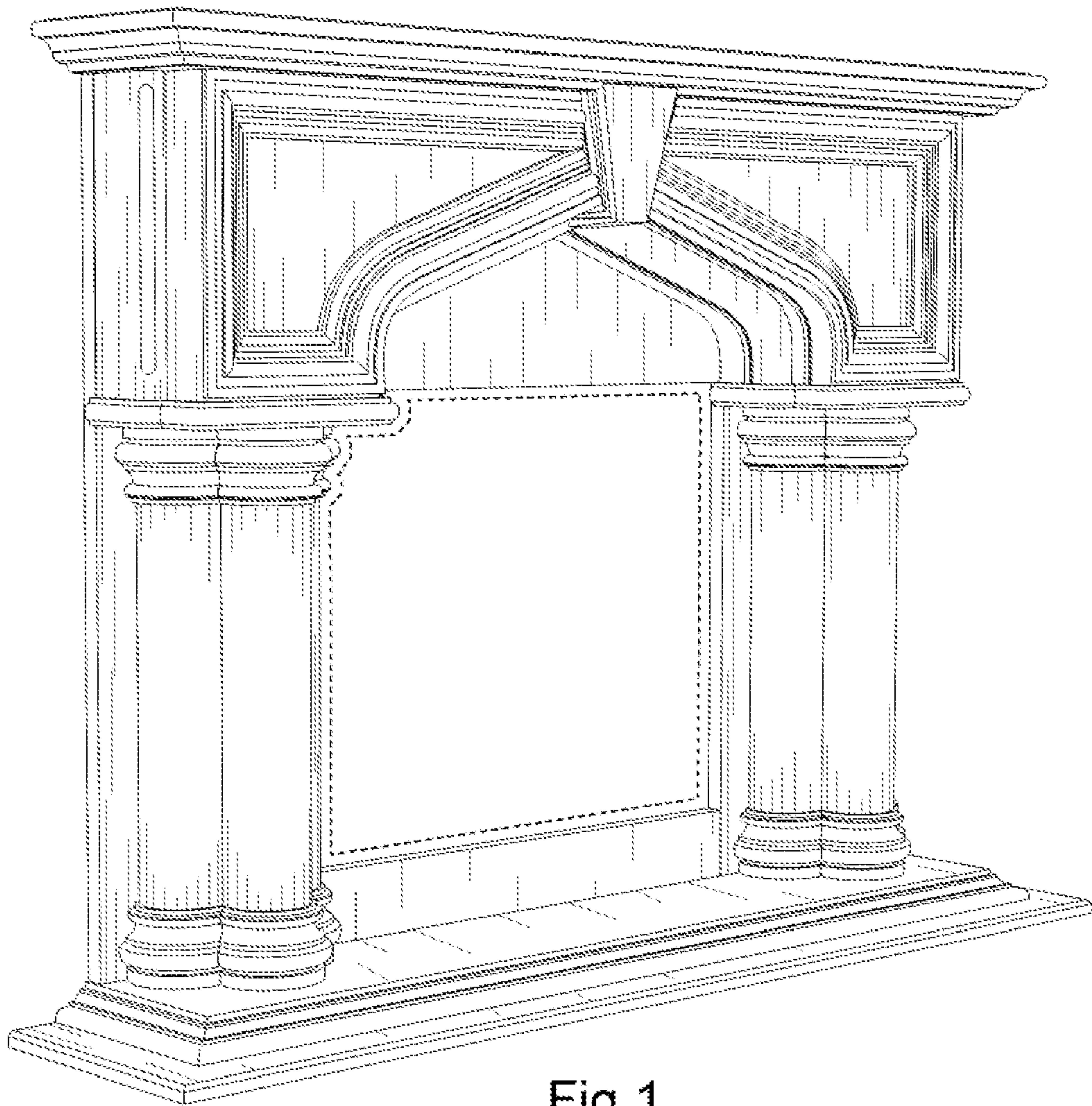


Fig. 1

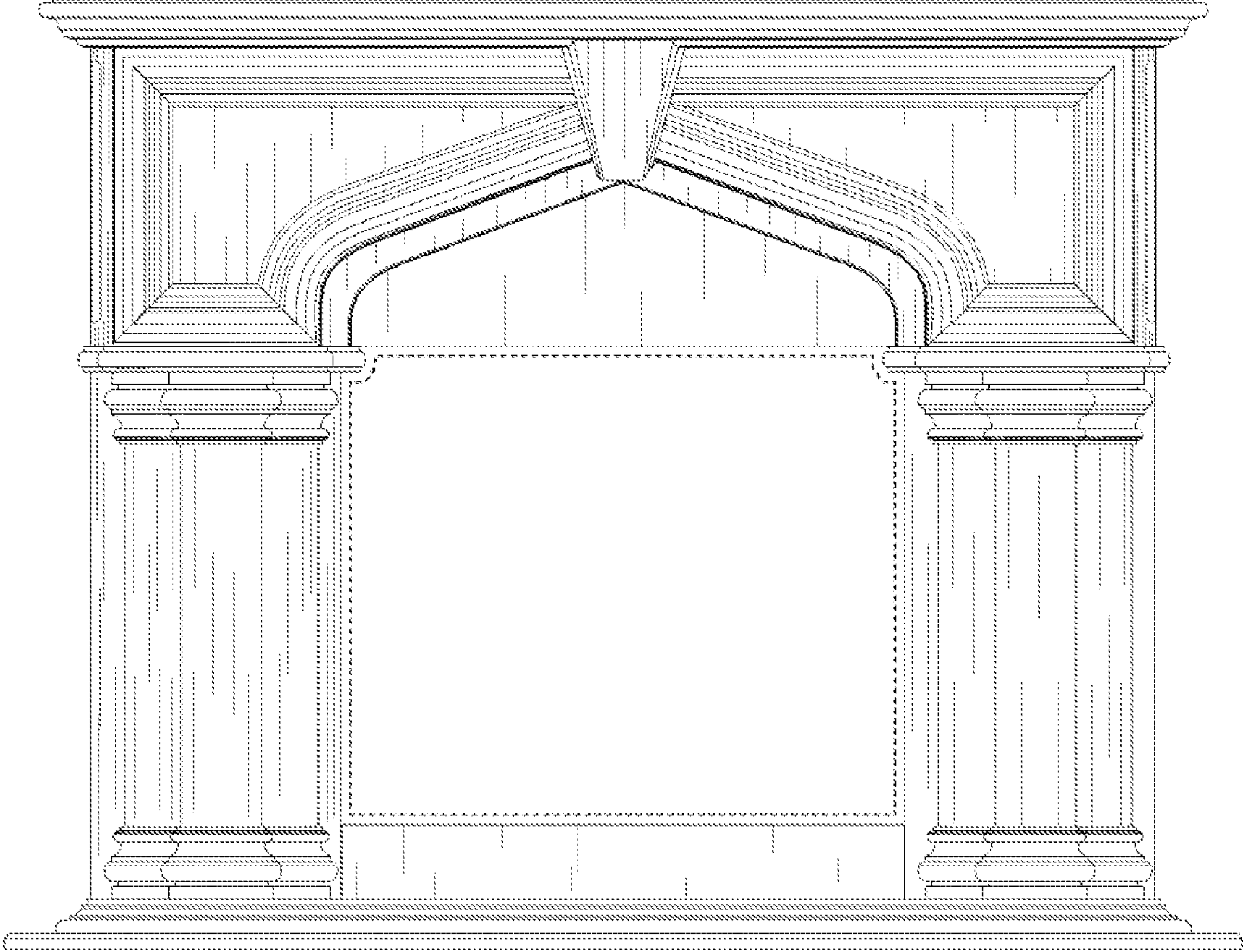


Fig.2

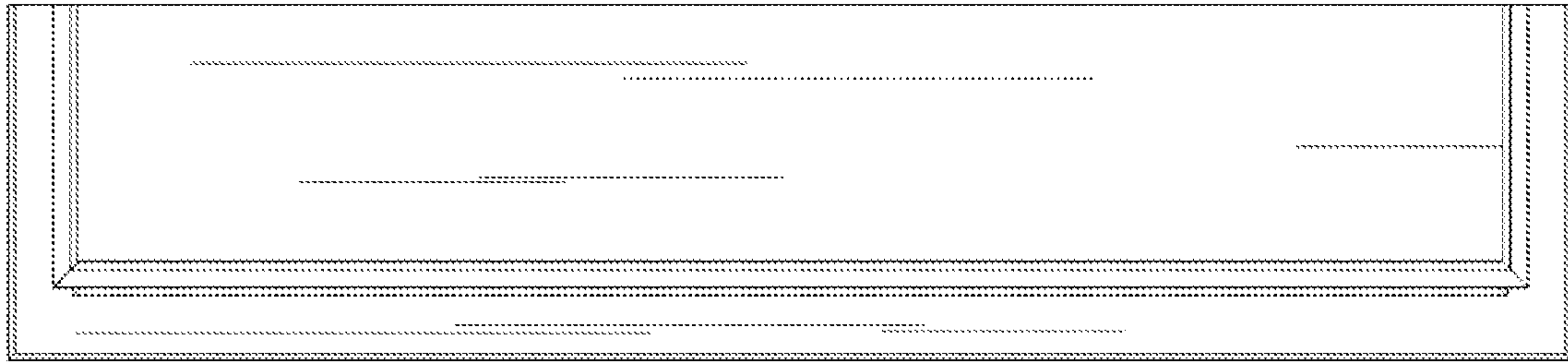


Fig.3

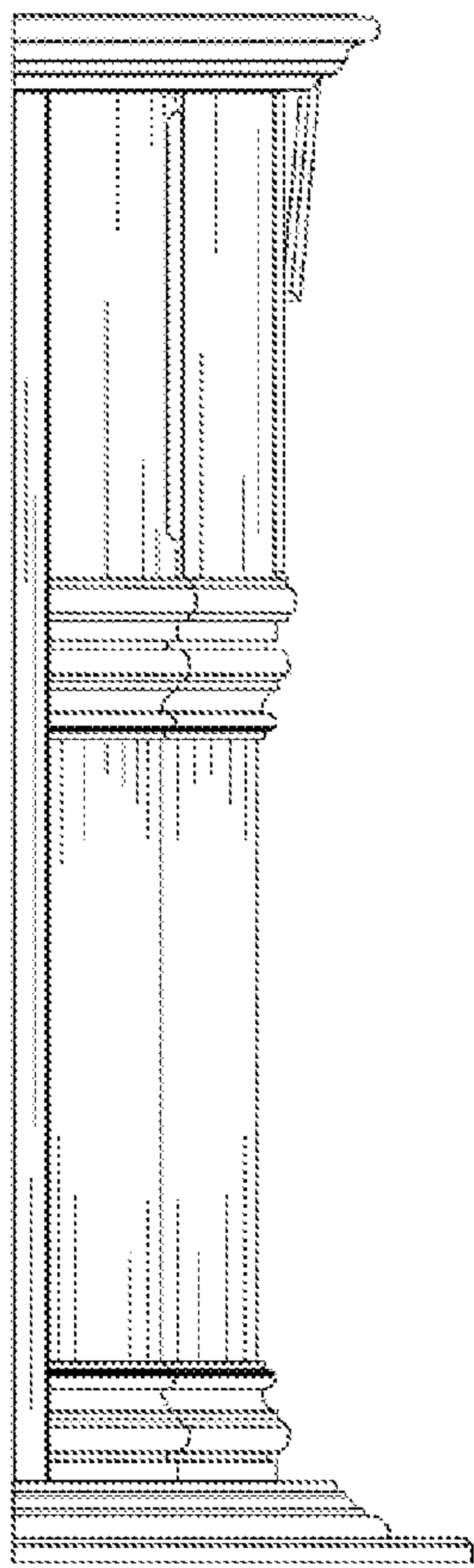


Fig.4

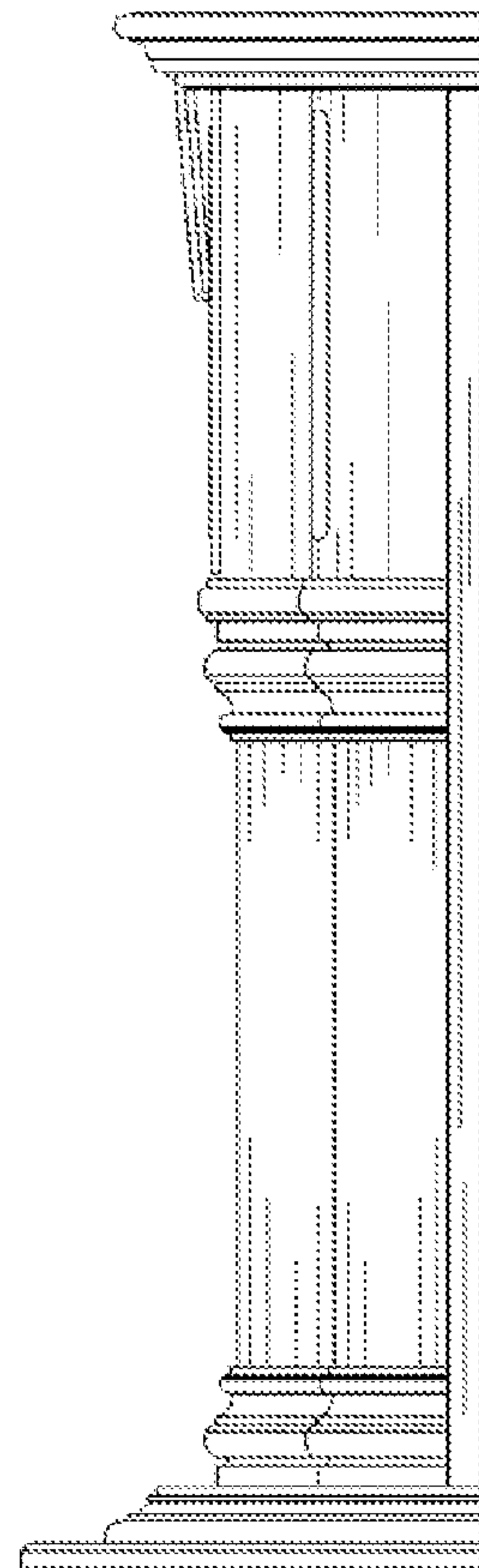


Fig.5