



US00D670798S

(12) **United States Design Patent**
Cassell et al.

(10) **Patent No.:** **US D670,798 S**
(45) **Date of Patent:** **** Nov. 13, 2012**

(54) **PORTABLE HEATER**

(75) Inventors: **Shannon G. Cassell**, Easley, SC (US);
Joseph B. Lee, Jr., Bowling Green, KY (US)

(73) Assignee: **Procom Heating, Inc**, Brea, CA (US)

(**) Term: **14 Years**

(21) Appl. No.: **29/411,826**

(22) Filed: **Jan. 26, 2012**

(51) **LOC (9) Cl.** **23-01**

(52) **U.S. Cl.** **D23/317**

(58) **Field of Classification Search** D23/314,
D23/317, 323, 328, 330, 332-350, 386; 392/465,
392/497, 501; 165/163, 157; 126/304 R,
126/305, 306, 110 B; 432/222

See application file for complete search history.

(56) **References Cited**

U.S. PATENT DOCUMENTS

2,405,427 A	8/1946	Holthouse	
2,540,280 A	2/1951	Norman, Jr.	
2,552,492 A	5/1951	Nathan	
2,758,590 A	8/1956	Besser	
3,073,583 A	1/1963	Woollen, Jr.	
3,092,095 A	6/1963	Hottenroth et al.	
3,101,193 A	8/1963	Vervel	
D201,165 S *	5/1965	Briggs	D23/338
D202,009 S *	8/1965	Schofield et al.	D23/317
D202,010 S *	8/1965	Schofield et al.	D23/317
3,256,003 A	6/1966	Briggs	
3,319,947 A	5/1967	Truesdell	
3,364,917 A	1/1968	Woollen, Jr.	
3,393,903 A	7/1968	Berglund, Jr.	
3,401,920 A	9/1968	Berkhoudt et al.	
3,794,461 A *	2/1974	Brazee	432/29
3,883,290 A	5/1975	Windelbandt	
3,998,581 A	12/1976	Hemingway et al.	
D247,045 S *	1/1978	Briggs	D23/317
4,313,417 A	2/1982	Briggs et al.	
D264,374 S	5/1982	Briggs et al.	
4,340,362 A	7/1982	Chalupsky et al.	

4,443,187 A	4/1984	Shaftner et al.	
D330,756 S *	11/1992	Davies et al.	D23/338
5,476,378 A	12/1995	Zagoroff et al.	
5,893,711 A	4/1999	Vogelzang et al.	
D421,296 S *	2/2000	Kemp	D23/314
6,142,141 A	11/2000	Long	
6,152,128 A	11/2000	Willey et al.	
D447,795 S *	9/2001	Hudson	D23/327
6,880,549 B2	4/2005	Topp	
D541,916 S *	5/2007	Noyer et al.	D23/314
D577,173 S	9/2008	Pitchford et al.	
D598,526 S	8/2009	Pitchford et al.	
D604,399 S *	11/2009	Aregger et al.	D23/317
D617,434 S *	6/2010	Aregger et al.	D23/317
2011/0268429 A1 *	11/2011	Vandrak et al.	392/365

FOREIGN PATENT DOCUMENTS

JP 56133872 10/1981

* cited by examiner

Primary Examiner — T. Chase Nelson

Assistant Examiner — Ania Aman

(74) *Attorney, Agent, or Firm* — Middleton Reutlinger;
Chad D. Bruggeman; John F. Salazar

(57) **CLAIM**

The ornamental design for a portable heater, as shown and described.

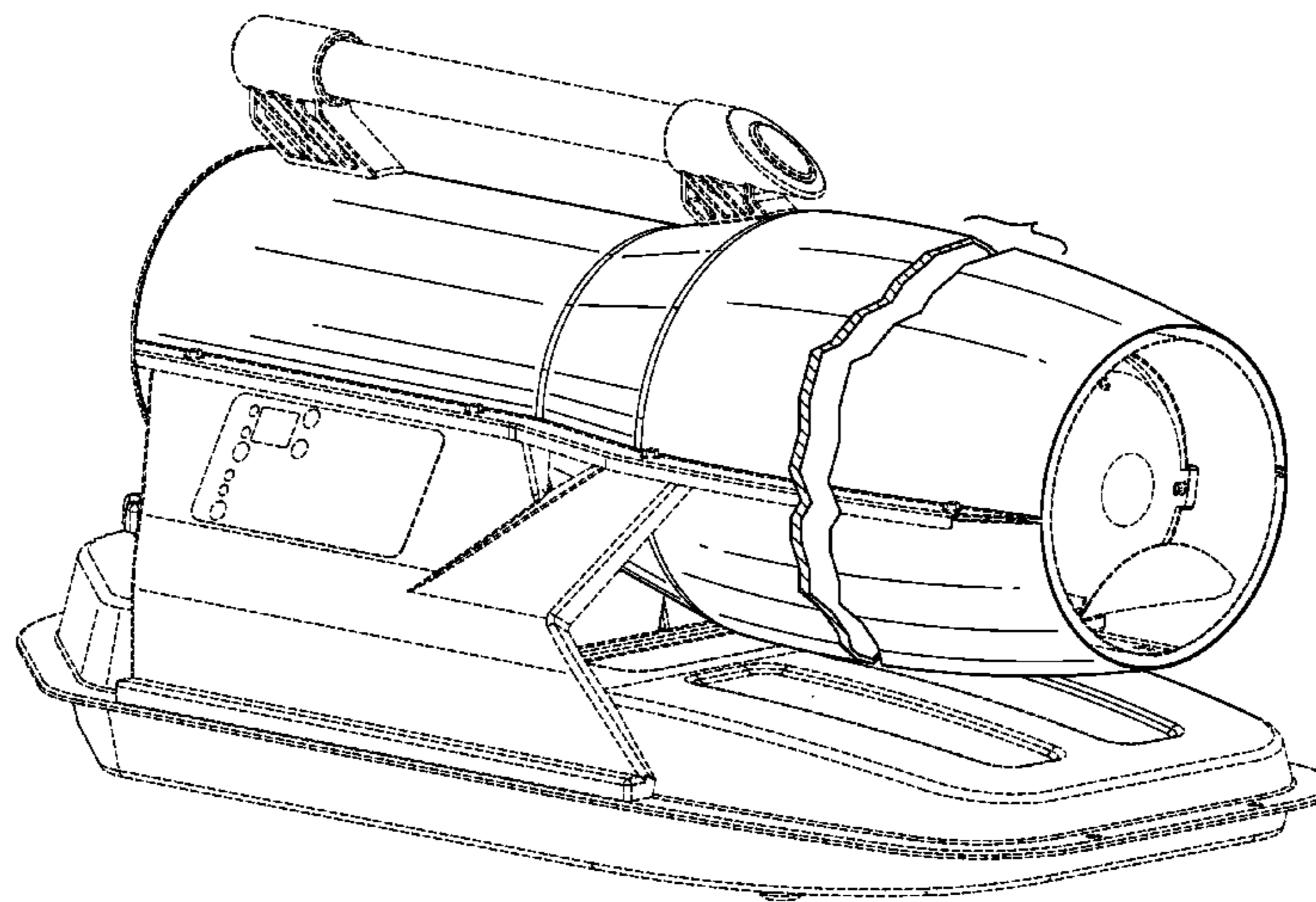
DESCRIPTION

FIG. 1 is a top perspective view of the portable heater design; FIG. 2 is a bottom perspective view thereof; FIG. 3 is a left side view thereof; FIG. 4 is a right side view thereof; FIG. 5 is a top view thereof; FIG. 6 is a bottom view thereof; FIG. 7 is a rear view thereof; and, FIG. 8 is a front view thereof.

The portable heater is shown with a separation to indicate no specific length is claimed.

The broken lines illustrate portions of the portable heater which form no part of the claimed design.

1 Claim, 8 Drawing Sheets



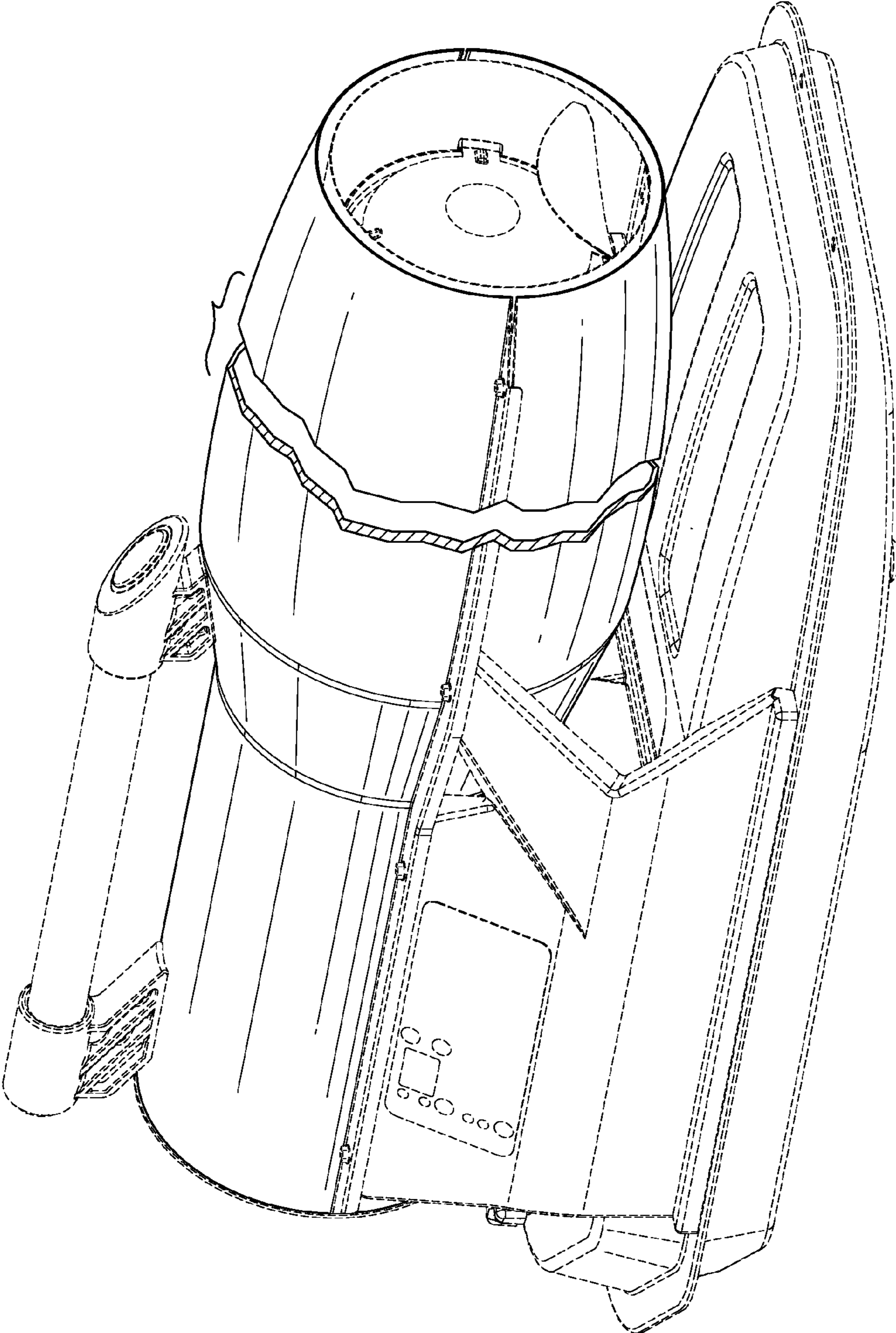


FIG. 1

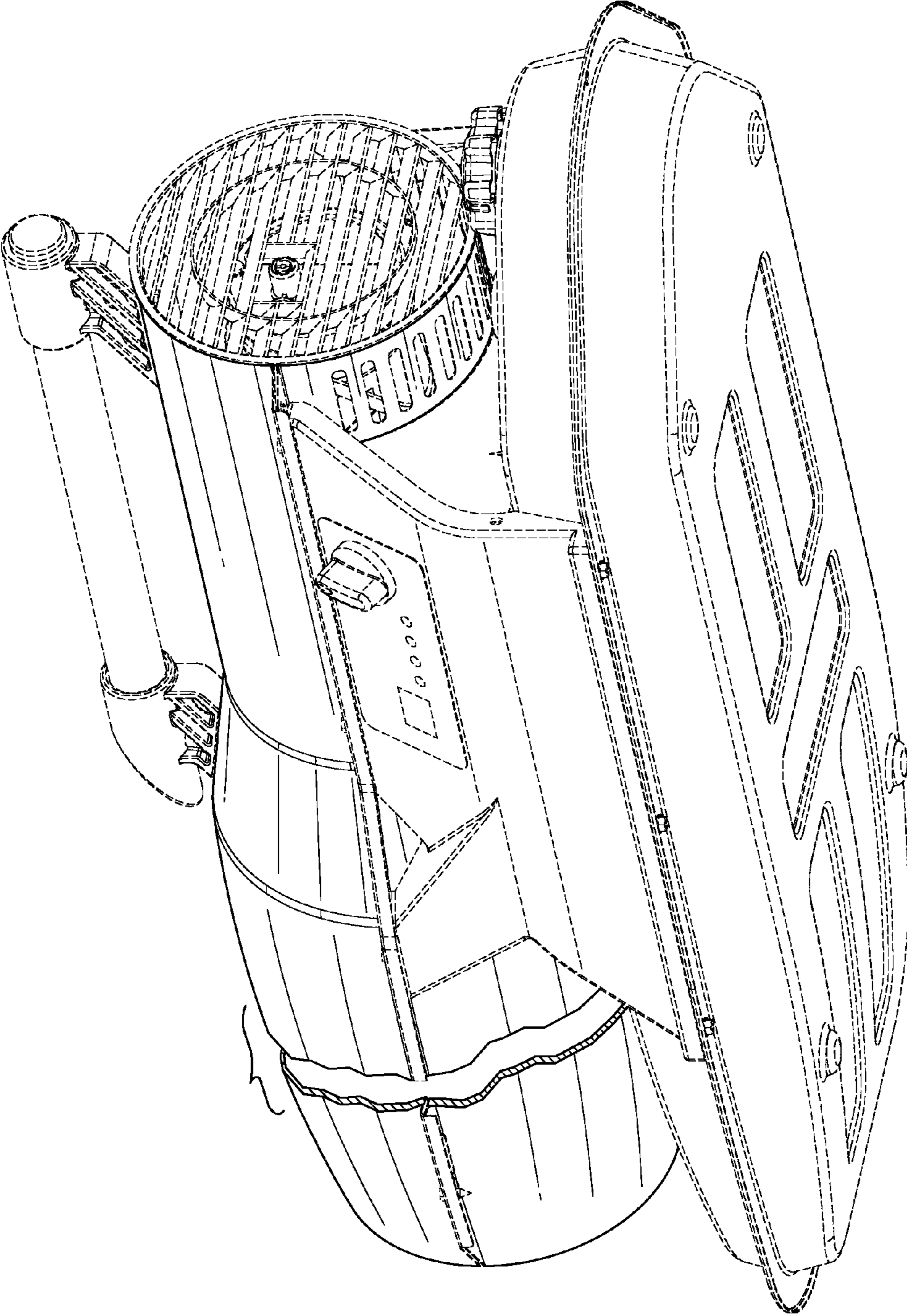


FIG. 2

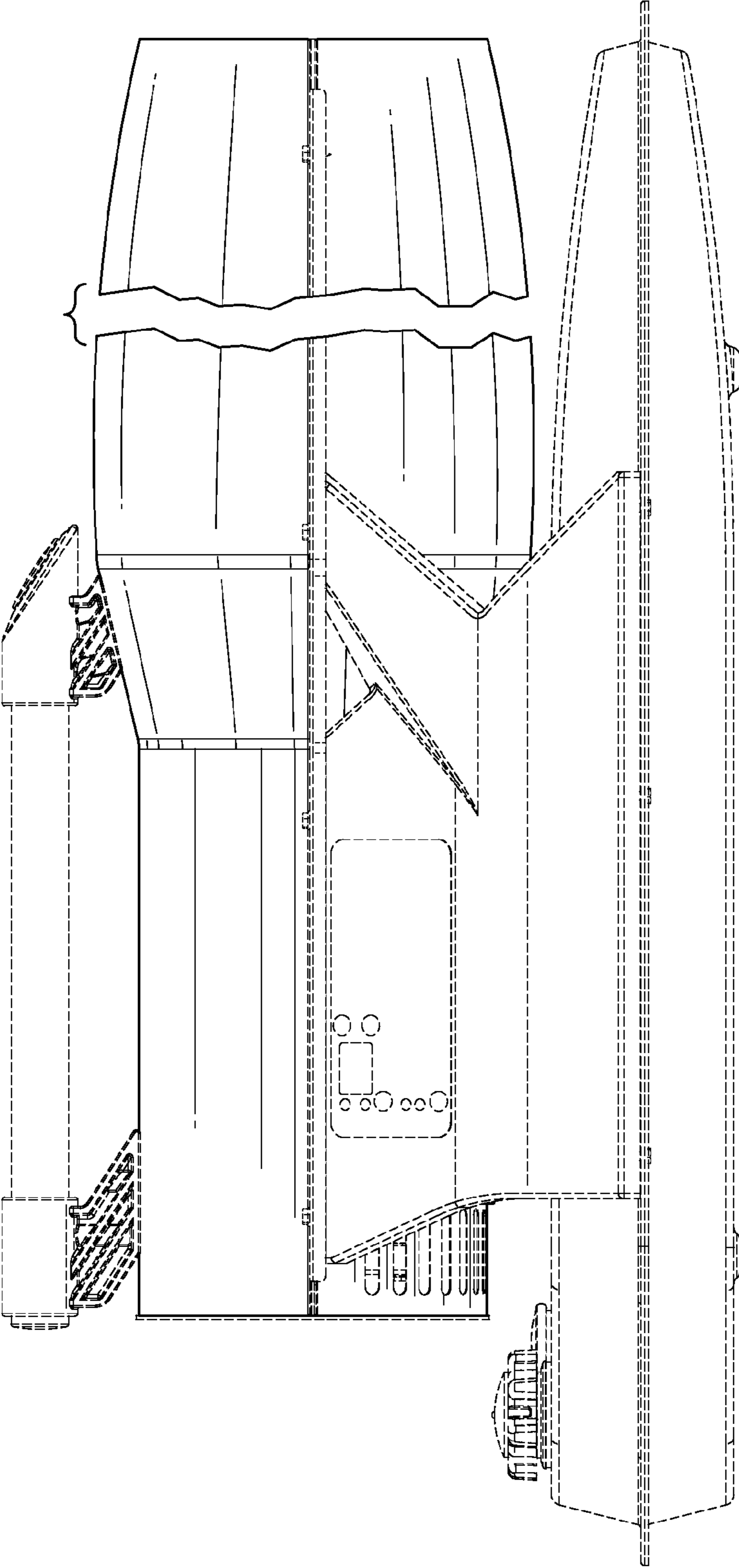


FIG. 3

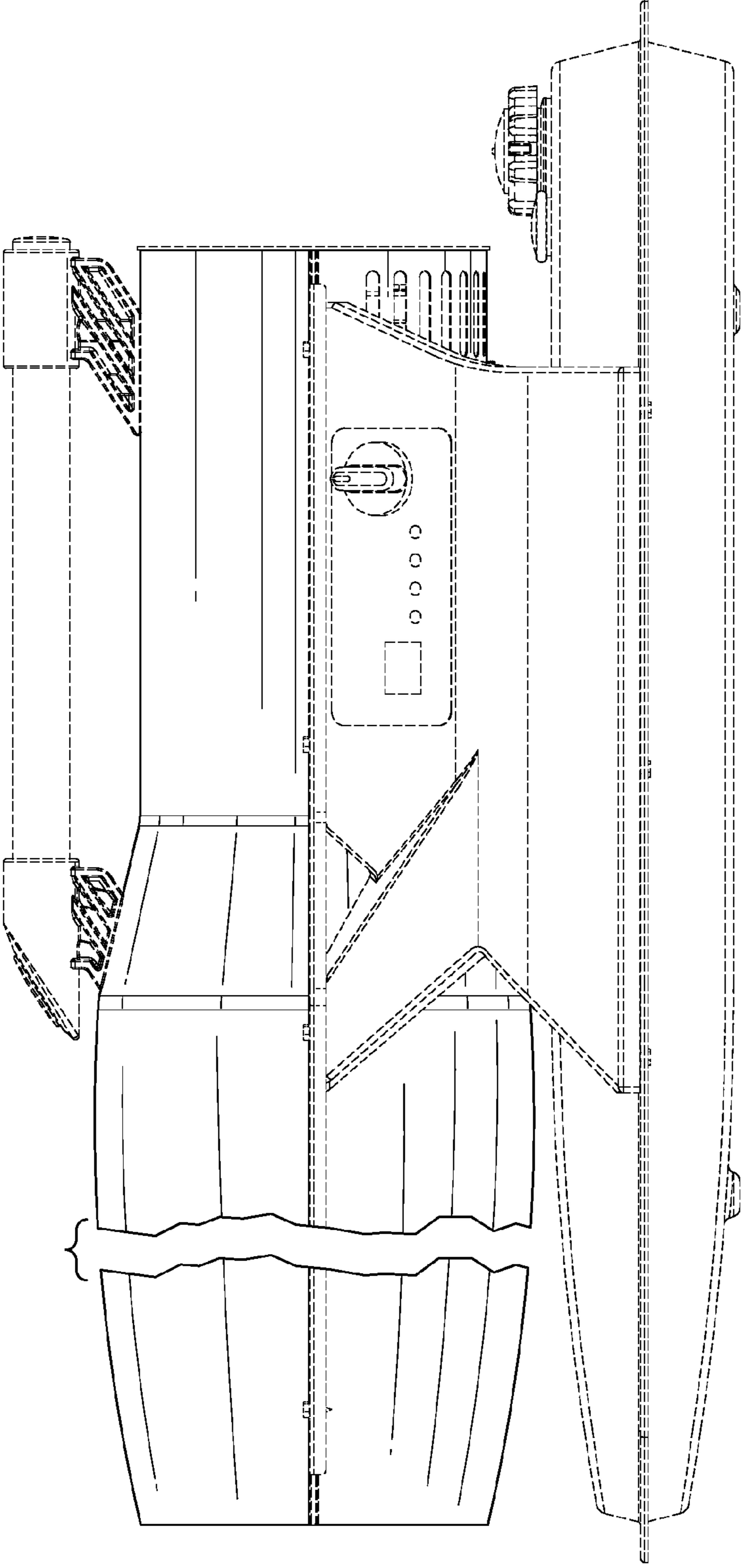


FIG. 4

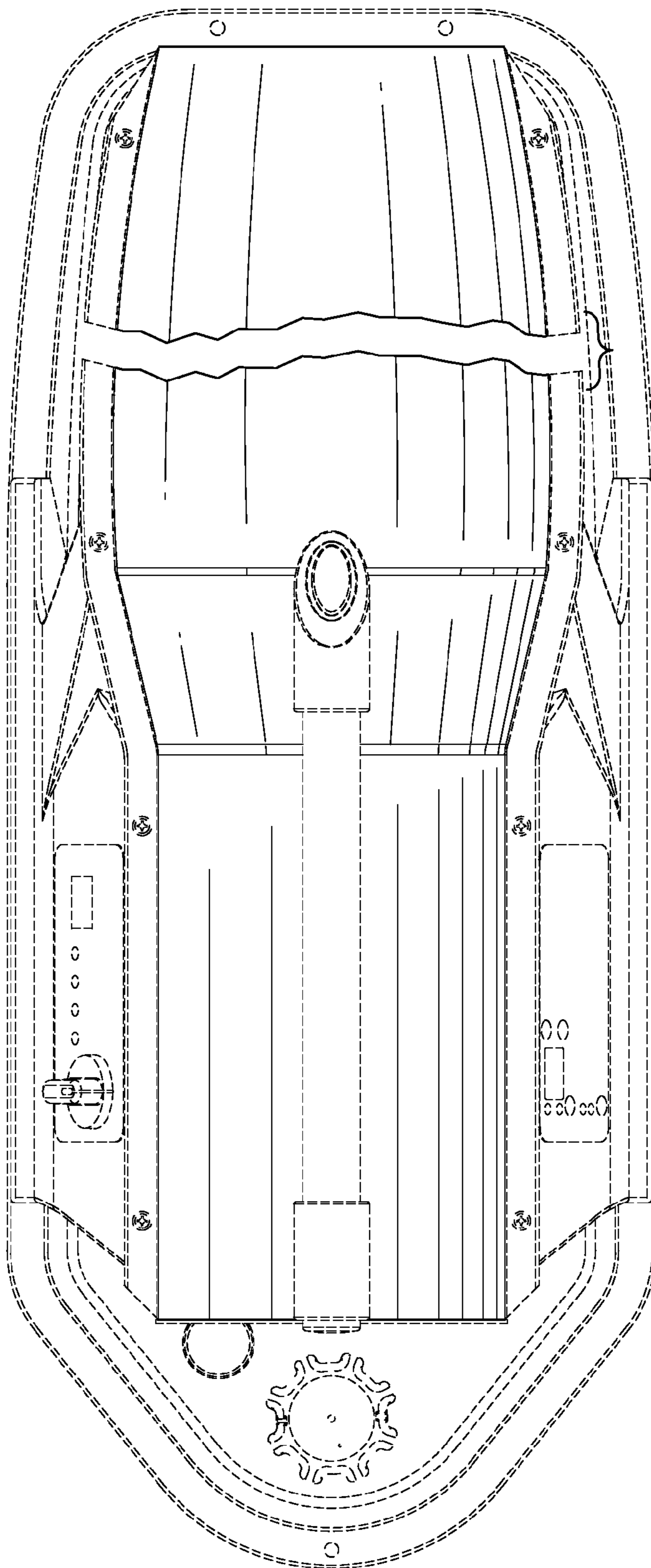


FIG. 5

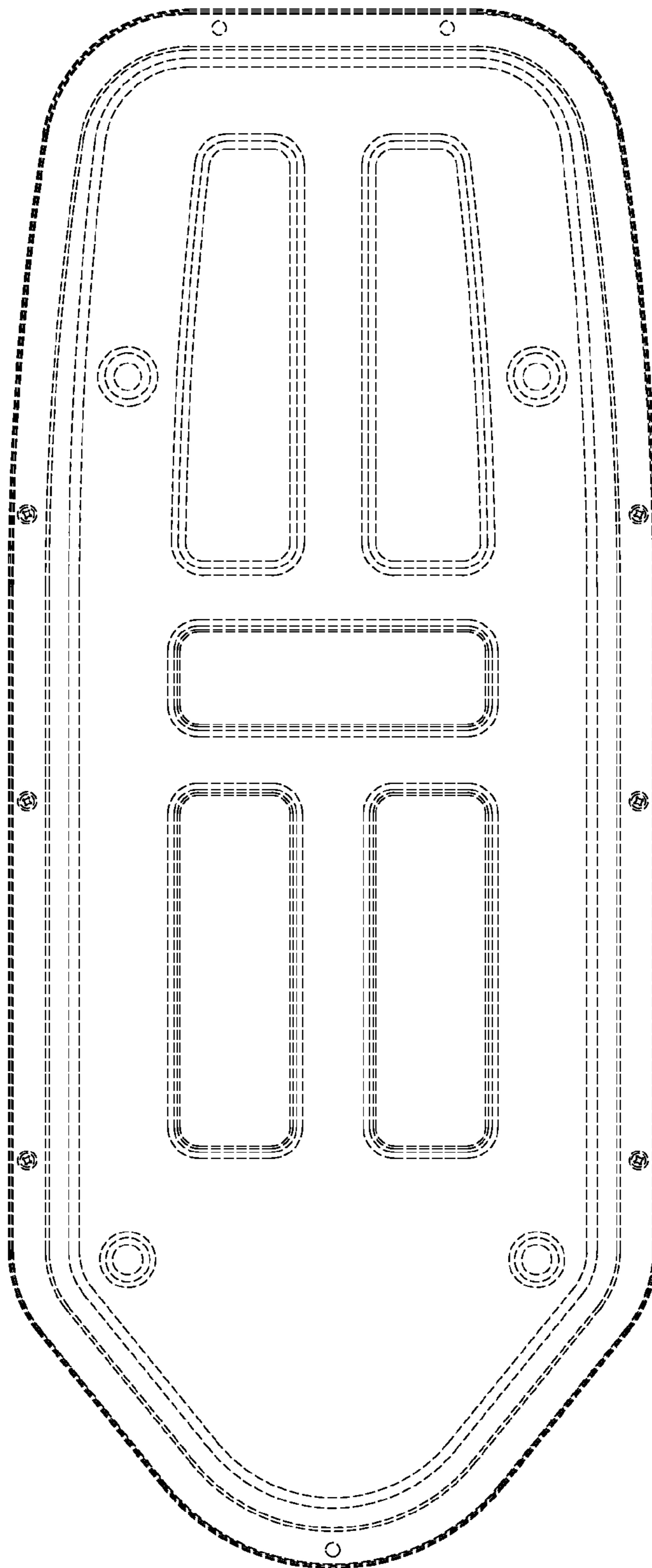


FIG. 6

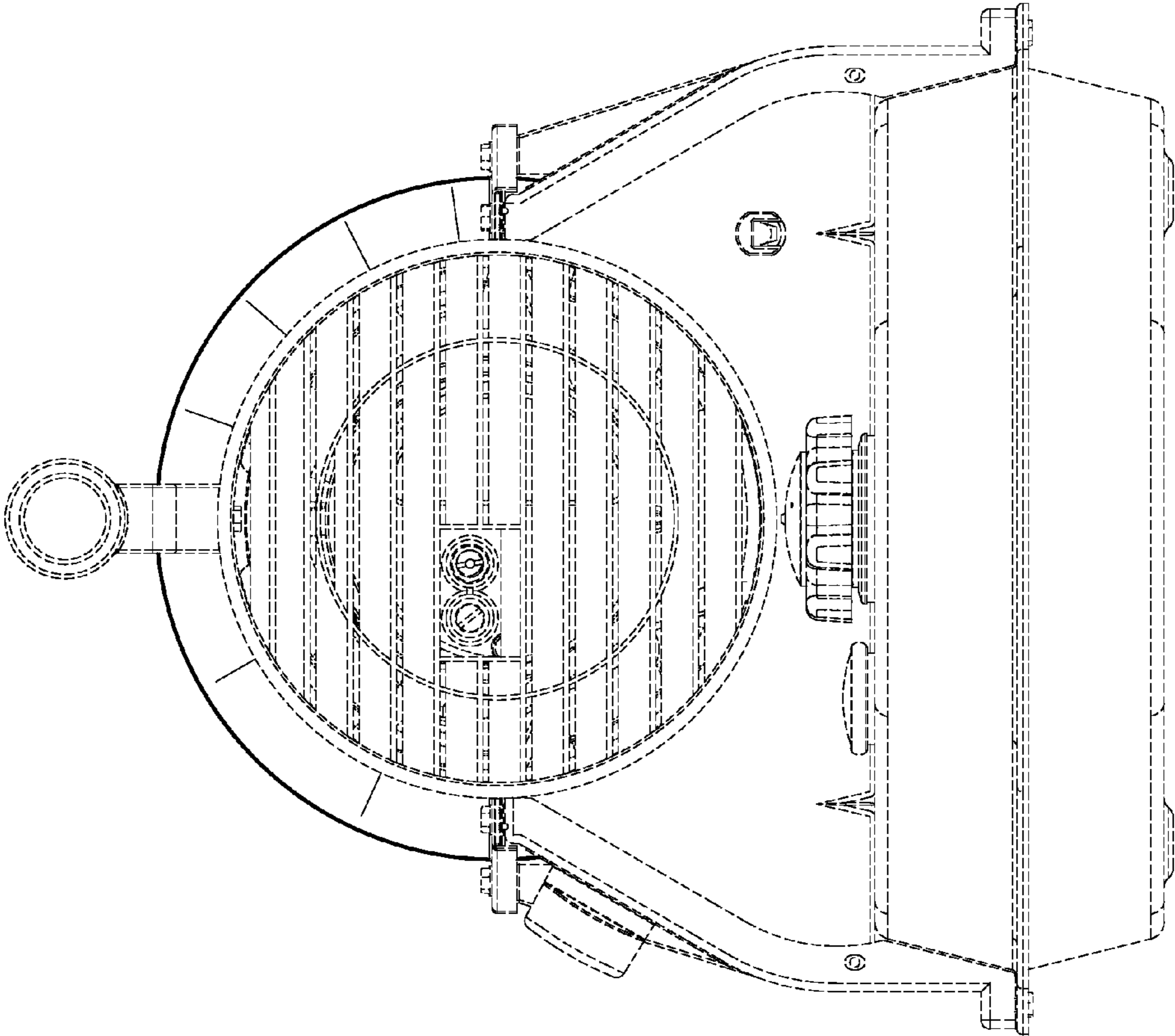


FIG. 7

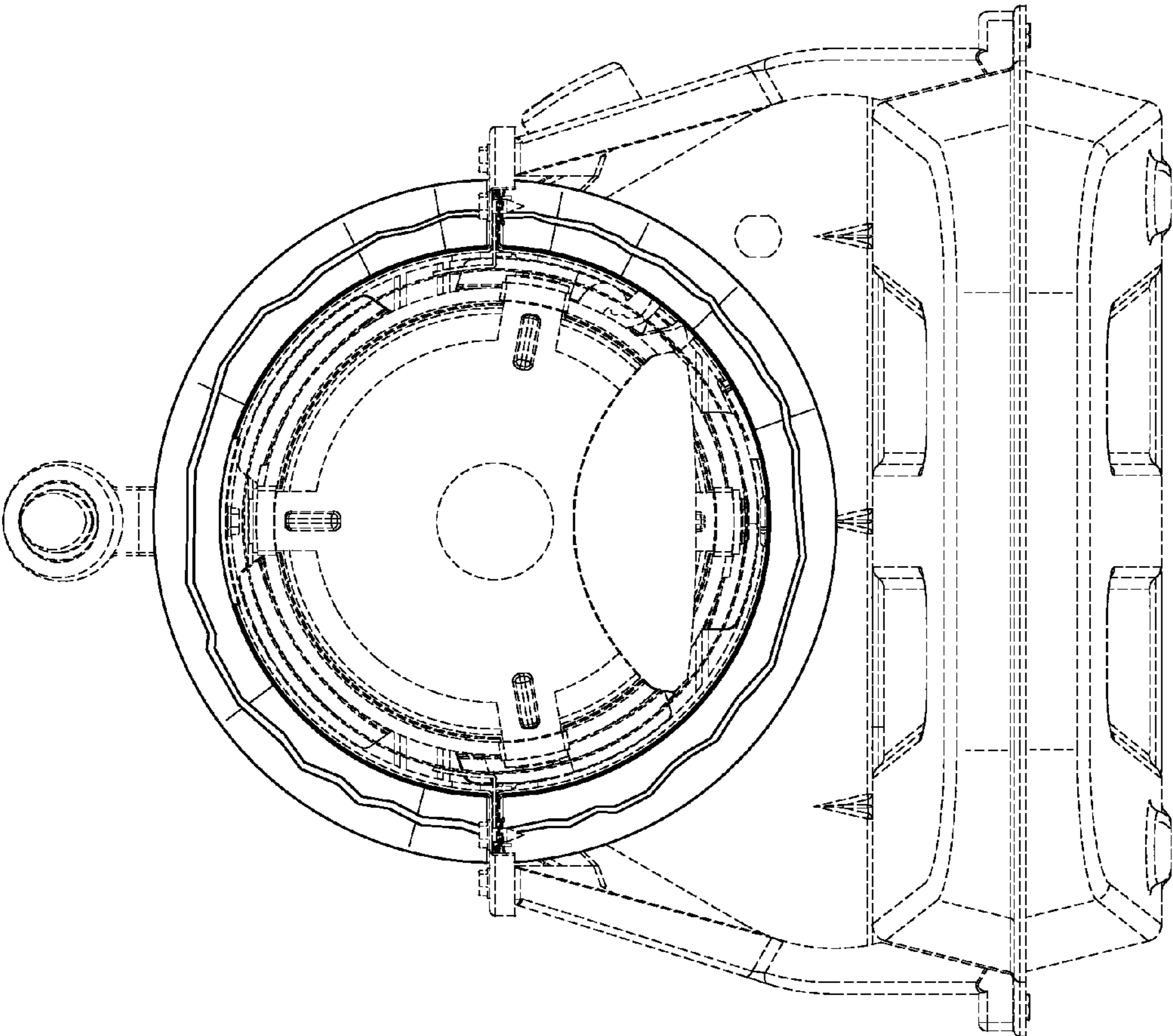


FIG. 8