



US00D670797S

(12) **United States Design Patent**
Cassell et al.

(10) **Patent No.:** **US D670,797 S**
(45) **Date of Patent:** **** Nov. 13, 2012**

- (54) **PORTABLE HEATER**
- (75) Inventors: **Shannon G. Cassell**, Easley, SC (US);
Joseph B. Lee, Jr., Bowling Green, KY (US)
- (73) Assignee: **Procom Heating, Inc**, Brea, CA (US)
- (**) Term: **14 Years**
- (21) Appl. No.: **29/411,825**
- (22) Filed: **Jan. 26, 2012**
- (51) **LOC (9) Cl.** **23-01**
- (52) **U.S. Cl.** **D23/317**
- (58) **Field of Classification Search** D23/314,
D23/317, 323, 328, 330, 332-350, 386; 392/465,
392/497, 501; 165/163, 157; 126/304 R,
126/305, 306, 110 B; 432/222
See application file for complete search history.

- 4,340,362 A 7/1982 Chalupsky et al.
- 4,443,187 A 4/1984 Shaftner et al.
- D330,756 S * 11/1992 Davies et al. D23/338
- 5,476,378 A 12/1995 Zagoroff et al.
- 5,893,711 A 4/1999 Vogelzang et al.
- D421,296 S * 2/2000 Kemp D23/314
- 6,142,141 A 11/2000 Long
- 6,152,128 A 11/2000 Willey et al.
- D447,795 S * 9/2001 Hudson D23/327
- 6,880,549 B2 4/2005 Topp
- D541,916 S * 5/2007 Noyer et al. D23/314
- D577,173 S 9/2008 Pitchford et al.
- D598,526 S 8/2009 Pitchford et al.
- D604,399 S * 11/2009 Aregger et al. D23/317
- D617,434 S * 6/2010 Aregger et al. D23/317
- 2011/0268429 A1* 11/2011 Vandrak et al. 392/365

FOREIGN PATENT DOCUMENTS

JP 56133872 10/1981

* cited by examiner

Primary Examiner — T. Chase Nelson

Assistant Examiner — Ania Aman

(74) *Attorney, Agent, or Firm* — Middleton Reutlinger;
Chad D. Bruggeman; John F. Salazar

(56) **References Cited**

U.S. PATENT DOCUMENTS

- 2,405,427 A 8/1946 Holthouse
- 2,540,280 A 2/1951 Norman, Jr.
- 2,552,492 A 5/1951 Nathan
- 2,758,590 A 8/1956 Besser
- 3,073,583 A 1/1963 Woollen, Jr.
- 3,092,095 A 6/1963 Hottenroth et al.
- 3,101,193 A 8/1963 Varvel
- D201,165 S * 5/1965 Briggs D23/338
- D202,009 S * 8/1965 Schofield et al. D23/317
- D202,010 S * 8/1965 Schofield et al. D23/317
- 3,256,003 A 6/1966 Briggs
- 3,319,947 A 5/1967 Truesdell
- 3,364,917 A 1/1968 Woollen, Jr.
- 3,393,903 A 7/1968 Berglund, Jr.
- 3,401,920 A 9/1968 Berkhoudt et al.
- 3,794,461 A * 2/1974 Brazee 432/29
- 3,883,290 A 5/1975 Windelbandt
- 3,998,581 A 12/1976 Hemingway et al.
- D247,045 S * 1/1978 Briggs D23/317
- 4,313,417 A 2/1982 Briggs et al.
- D264,374 S 5/1982 Briggs et al.

(57) **CLAIM**

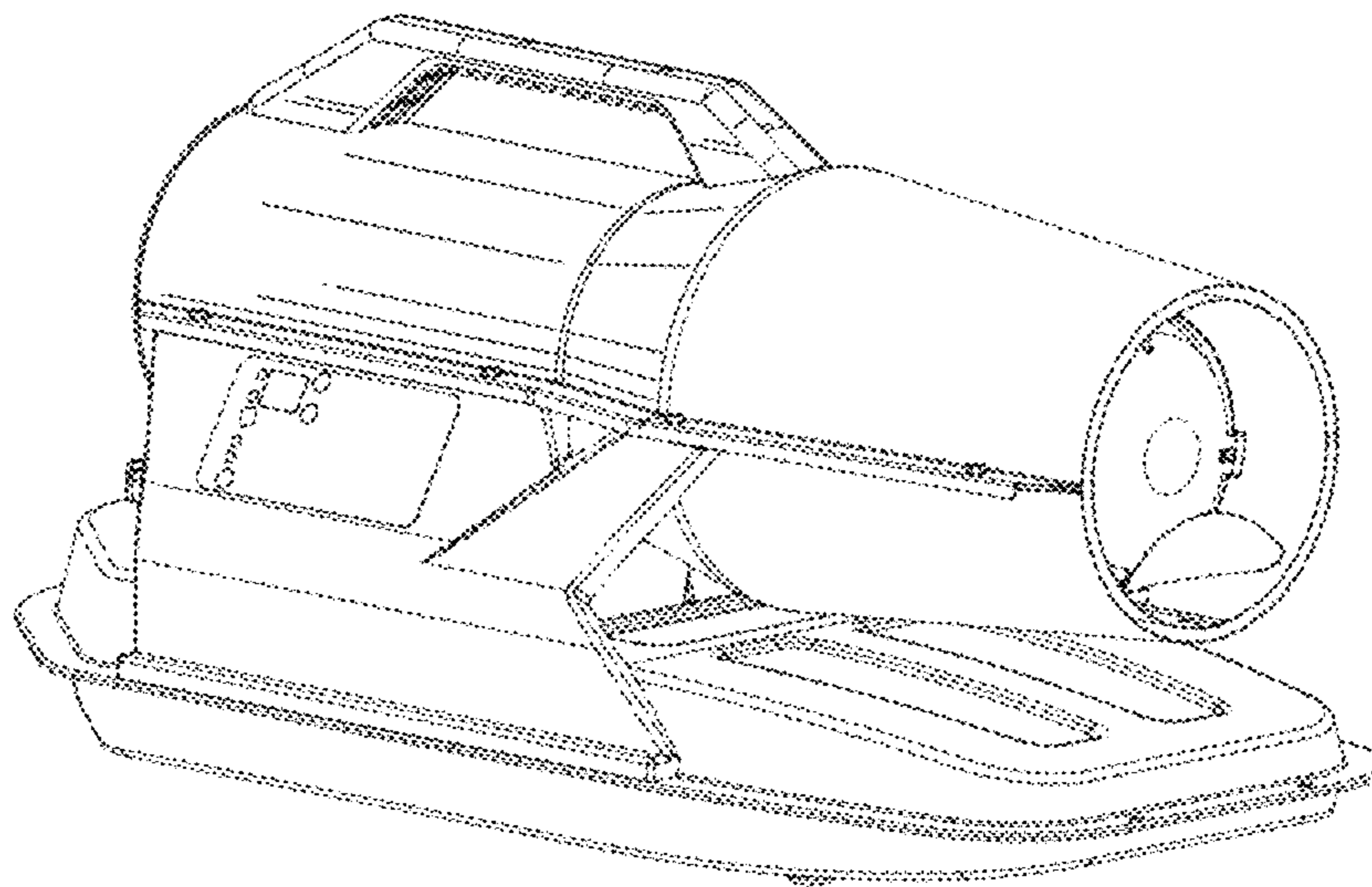
The ornamental design for a portable heater, as shown and described.

DESCRIPTION

FIG. 1 is a top perspective view of the portable heater design; FIG. 2 is a bottom perspective view thereof; FIG. 3 is a left side view thereof; FIG. 4 is a right side view thereof; FIG. 5 is a top view thereof; FIG. 6 is a bottom view thereof; FIG. 7 is a rear view thereof; and, FIG. 8 is a front view thereof.

The broken lines illustrate portions of the portable heater which form no part of the claimed design.

1 Claim, 8 Drawing Sheets



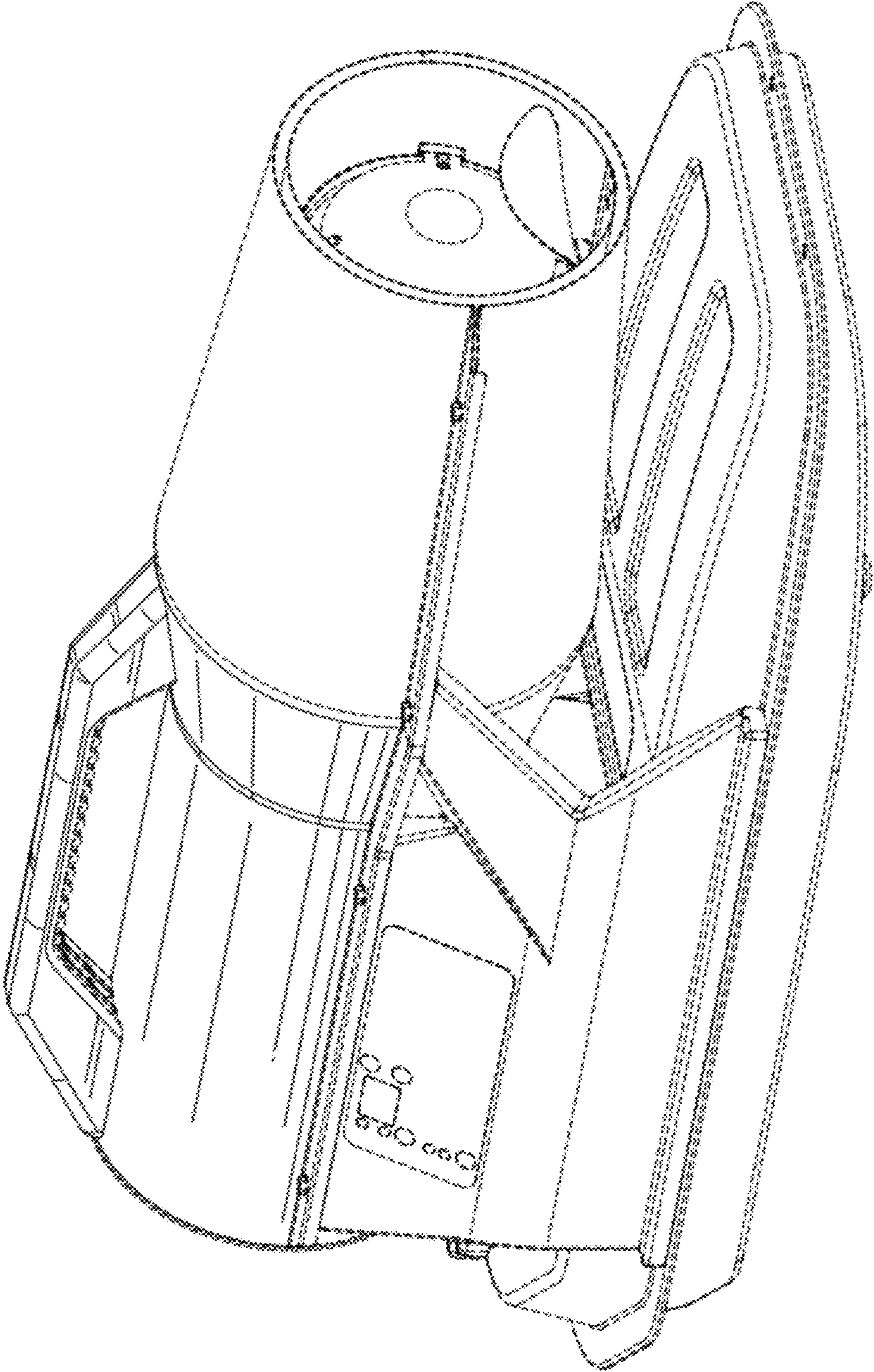


FIG. 1

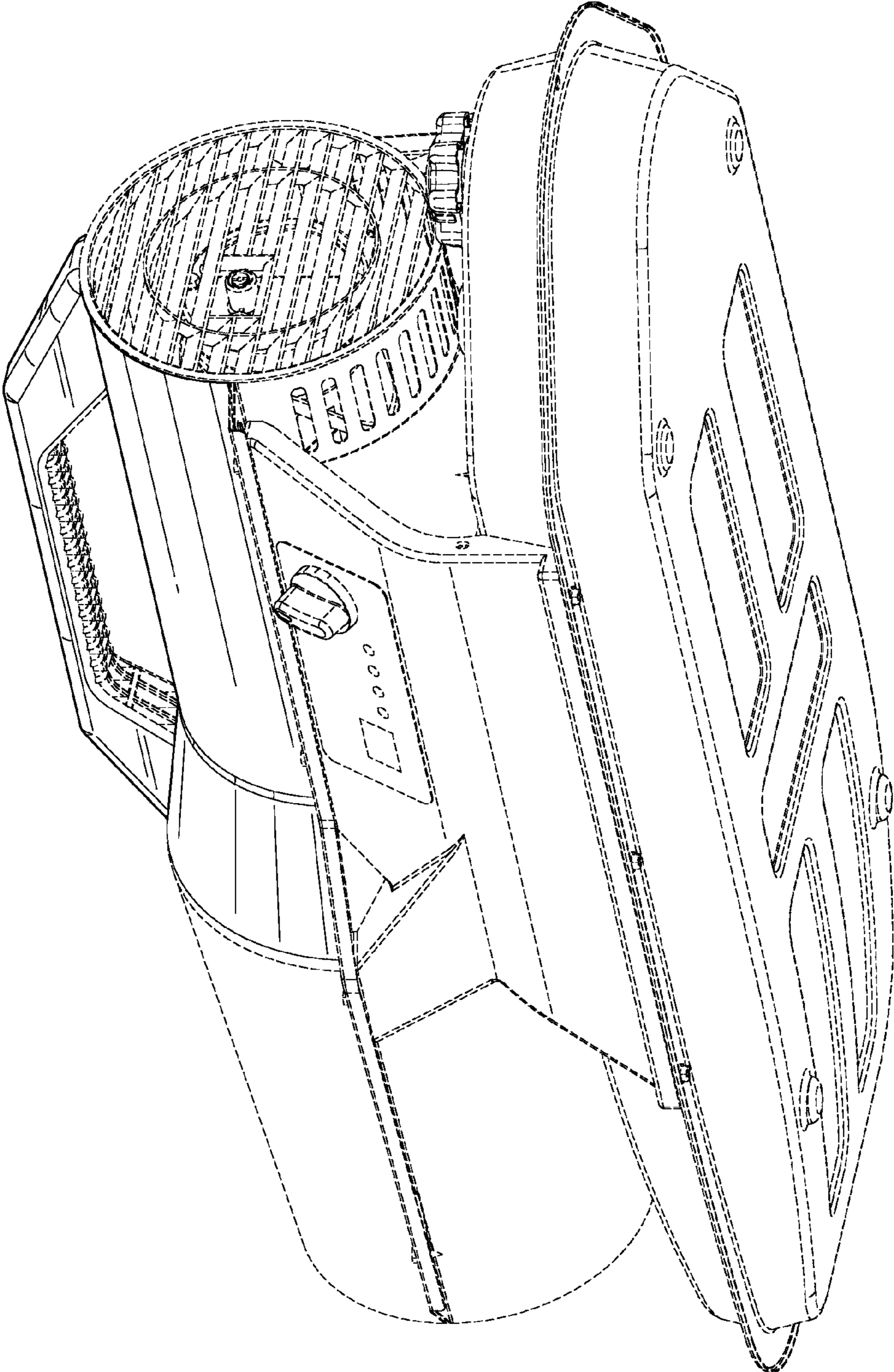


FIG. 2

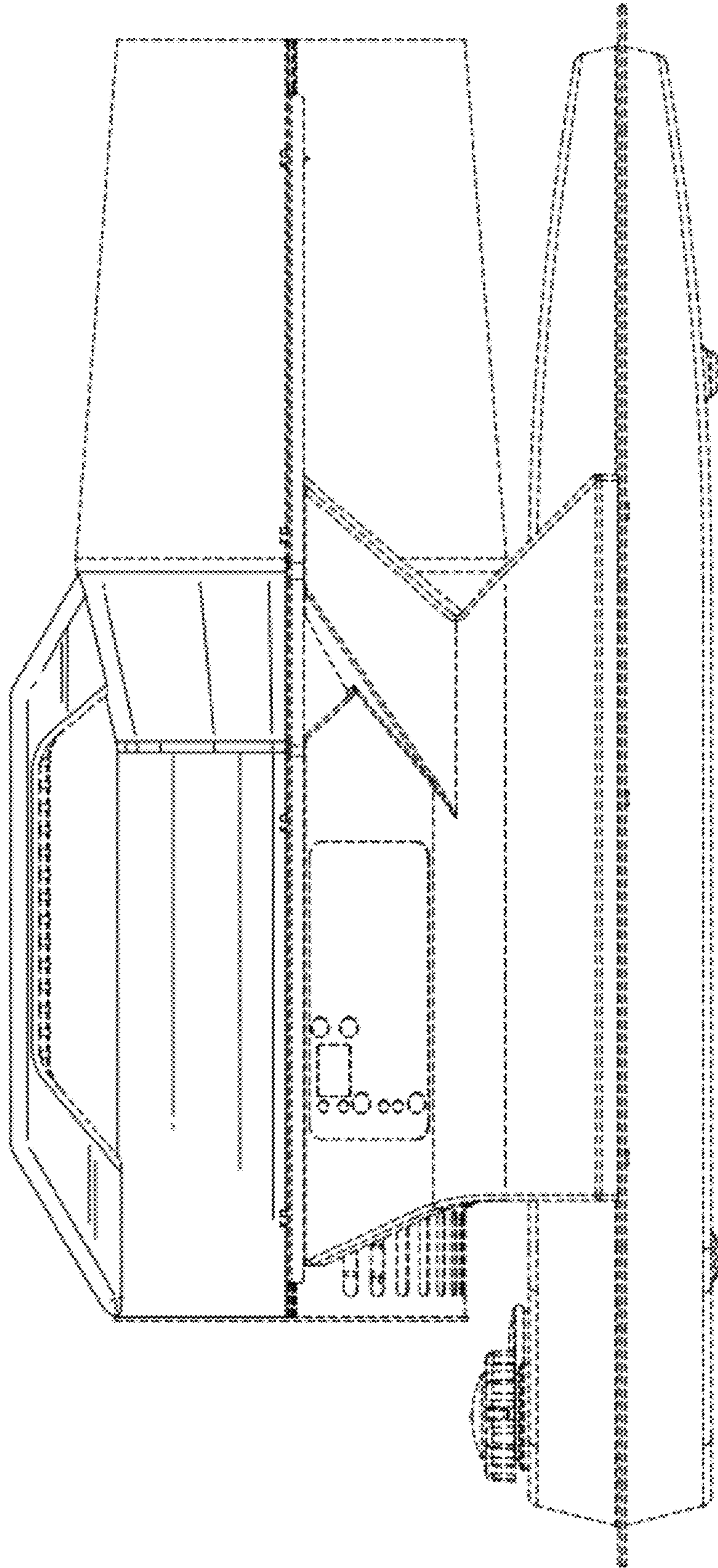


FIG. 3

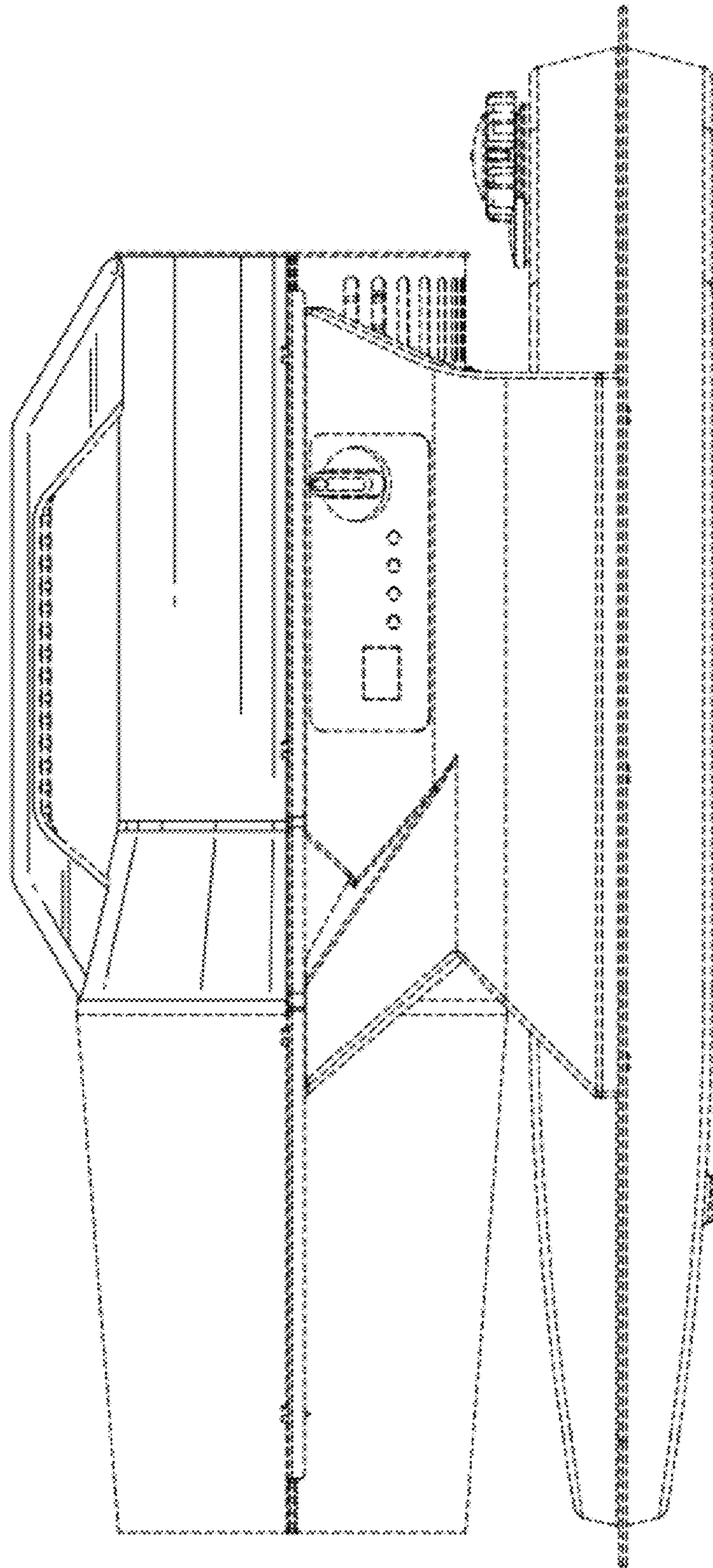


FIG. 4

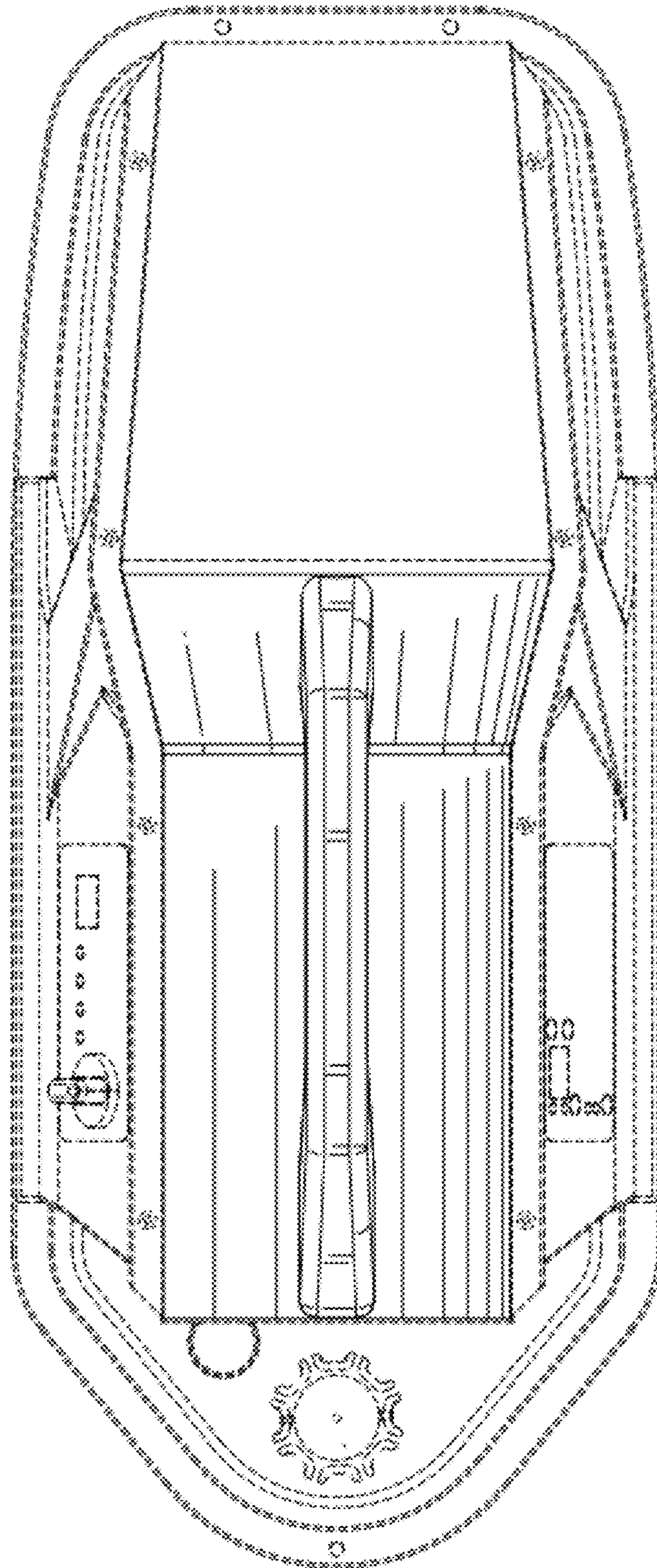


FIG. 5

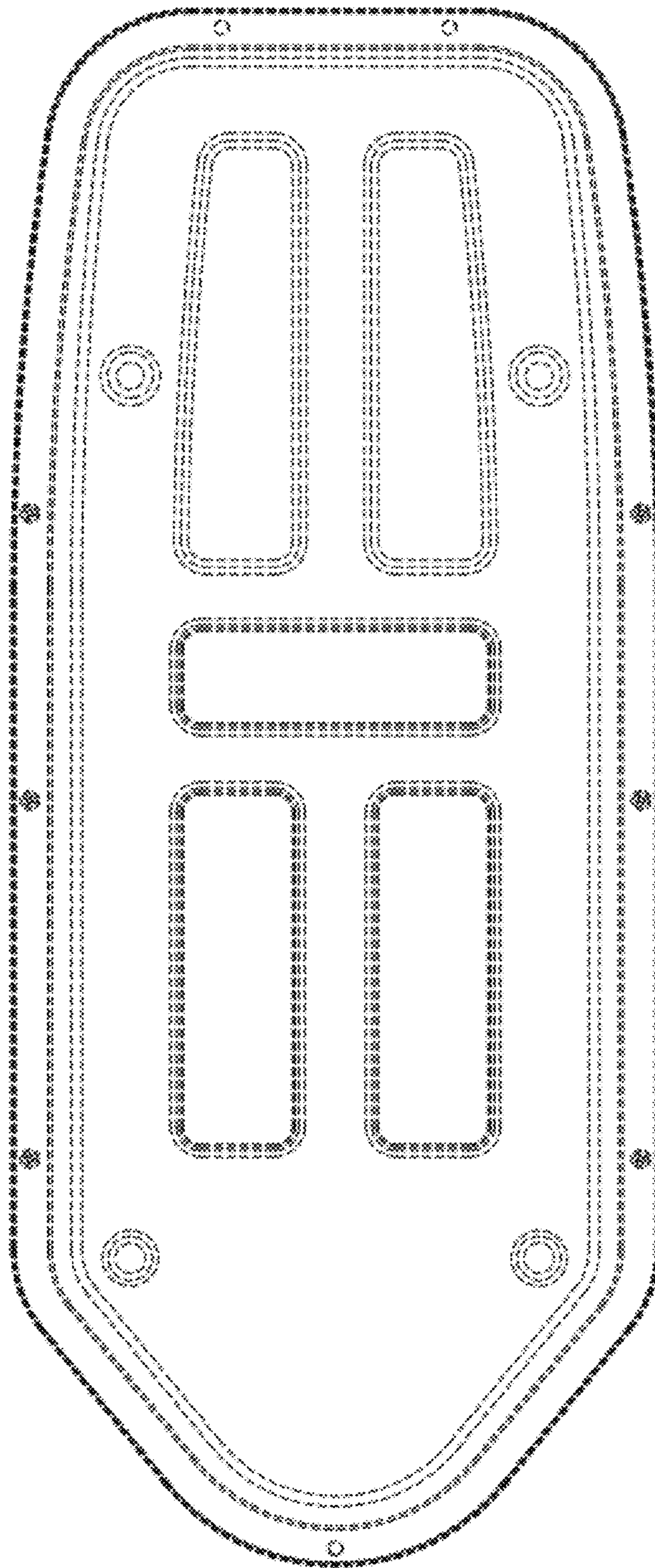


FIG. 6

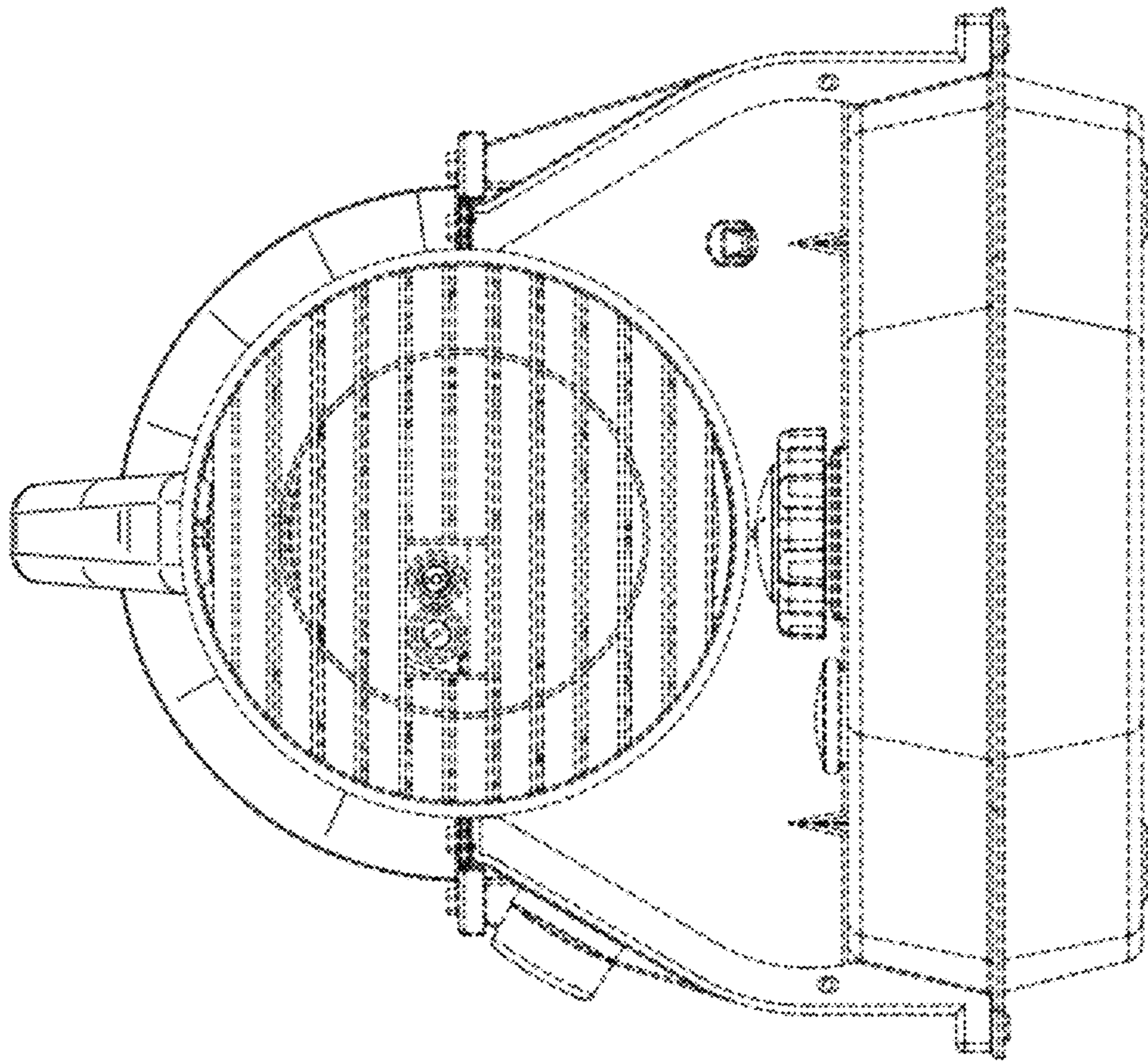


FIG. 7

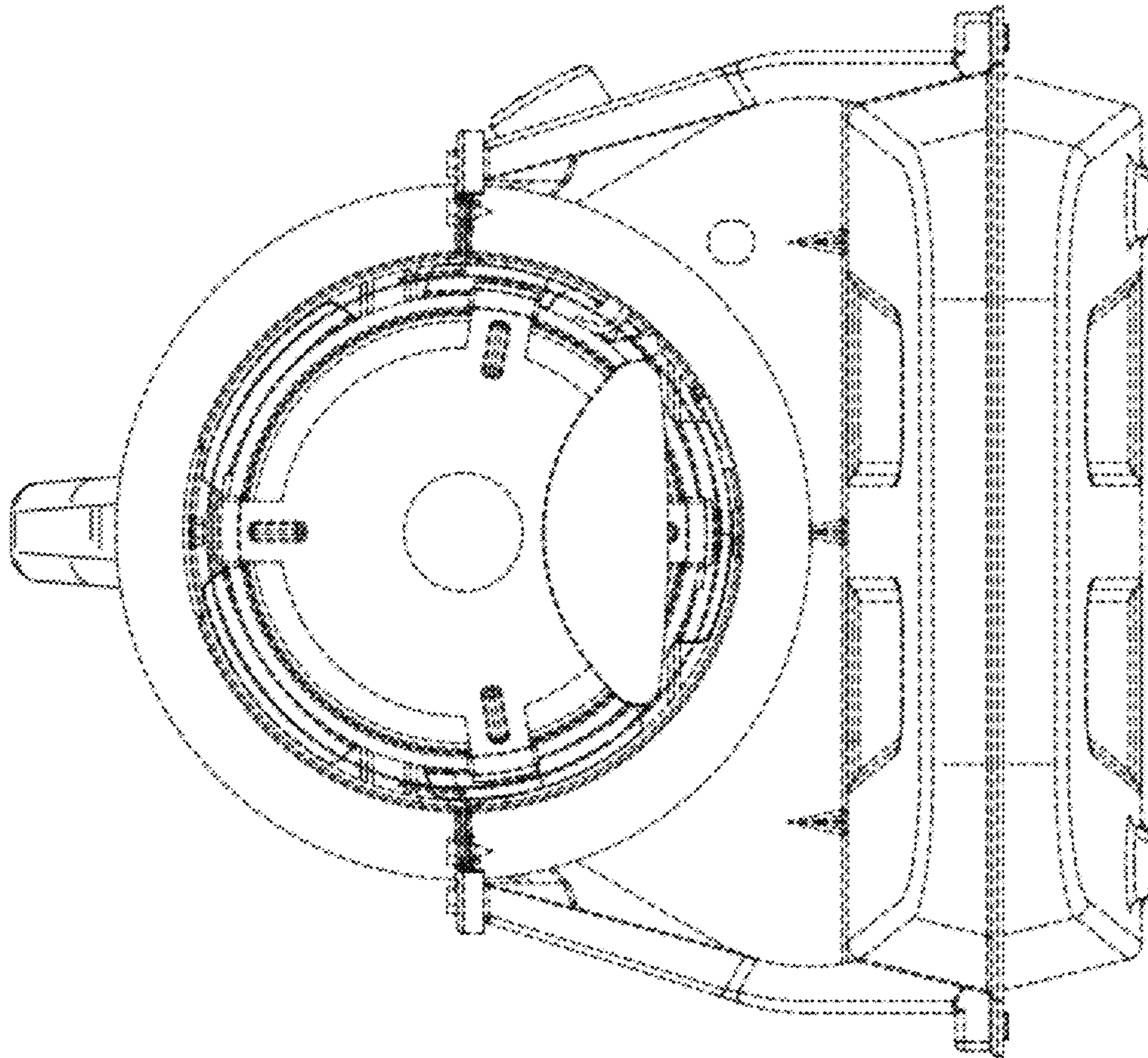


FIG. 8