



US00D670794S

(12) **United States Design Patent**
Antoniello

(10) **Patent No.:** **US D670,794 S**
(45) **Date of Patent:** **** Nov. 13, 2012**

(54) **DRAIN**
(76) Inventor: **Frank Antoniello**, Commack, NY (US)
(**) Term: **14 Years**
(21) Appl. No.: **29/345,535**
(22) Filed: **Oct. 16, 2009**
(51) **LOC (9) Cl.** **23-01**
(52) **U.S. Cl.** **D23/262**
(58) **Field of Classification Search** D23/259-262;
4/222.1, 309, 286-293, 255.07, 680-682,
4/694; 137/493
See application file for complete search history.

D348,924 S * 7/1994 Merrett D23/261
5,372,715 A * 12/1994 Maggard et al. 210/165
5,878,448 A * 3/1999 Molter 4/613
D419,652 S * 1/2000 Hall et al. D23/259
6,249,920 B1 * 6/2001 McRoberts 4/286
D564,636 S * 3/2008 Hanna D23/261
D574,066 S * 7/2008 Hanna D23/261
D576,714 S * 9/2008 Florence D23/261
D585,969 S * 2/2009 Tasi D23/260
7,490,375 B2 * 2/2009 Luk 4/629
D599,444 S * 9/2009 Jones D23/261
D614,267 S * 4/2010 Breda D23/261
D621,009 S * 8/2010 Mjelde et al. D23/261
2007/0180604 A1 * 8/2007 Griffin et al. 4/507
* cited by examiner

Primary Examiner — Eric Goodman
(74) *Attorney, Agent, or Firm* — Harvey Lunenfeld

(56) **References Cited**

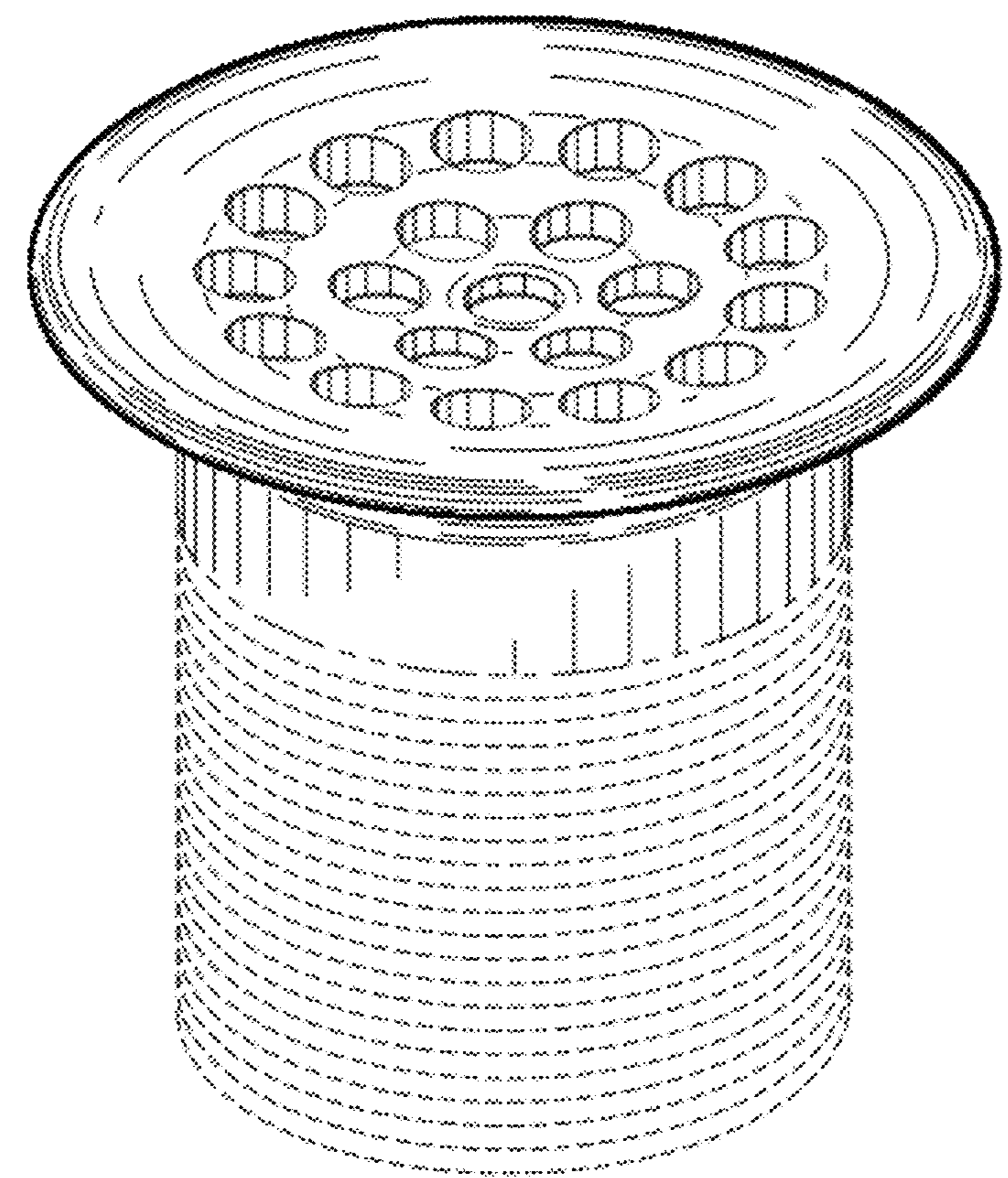
U.S. PATENT DOCUMENTS			
1,342,287	A *	6/1920	Hickey 4/286
1,451,943	A *	4/1923	De Wallace 4/292
1,595,516	A *	8/1926	Happ 4/287
1,852,123	A *	4/1932	Lutsky 4/287
1,894,407	A *	1/1933	Lutsky 4/287
1,940,742	A *	12/1933	Bryant 285/193
1,964,423	A *	6/1934	Blickman 4/287
RE24,690	E *	8/1959	Yavitch 4/288
D191,184	S *	8/1961	Scholz D23/261
3,525,105	A *	8/1970	Richards 4/287
4,067,072	A *	1/1978	Izzi 4/288
4,620,330	A *	11/1986	Izzi, Sr. 4/288
4,910,811	A *	3/1990	Izzi, Sr. 4/292

(57) **CLAIM**
The ornamental design for a drain, as shown and described.

DESCRIPTION

FIG. 1 is a perspective view of a drain, showing my new design;
FIG. 2 is a top plan view thereof;
FIG. 3 is a side elevation view thereof; and,
FIG. 4 is a section view thereof taken along line 4-4 of FIG. 2.

1 Claim, 3 Drawing Sheets



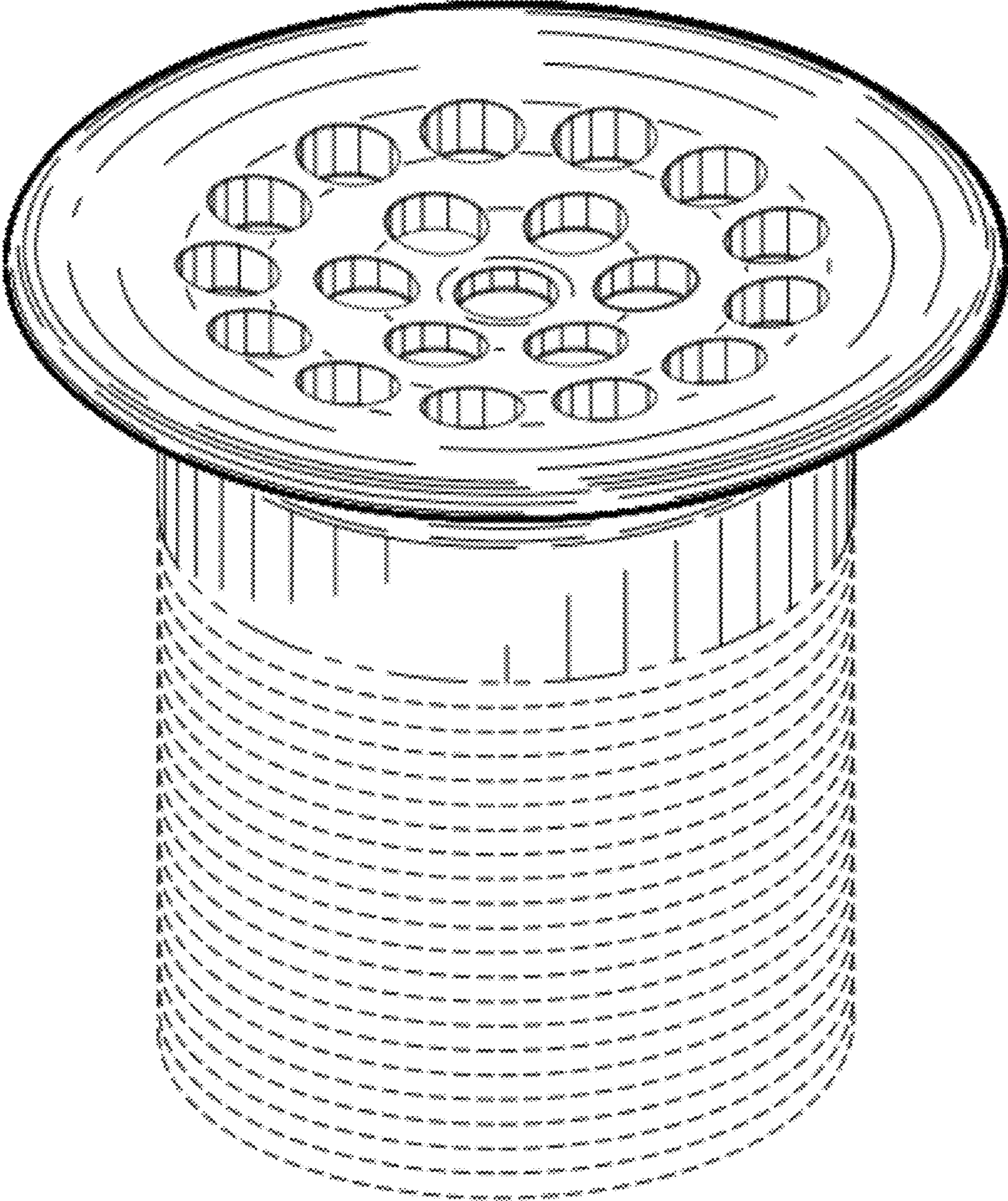


FIG. 1

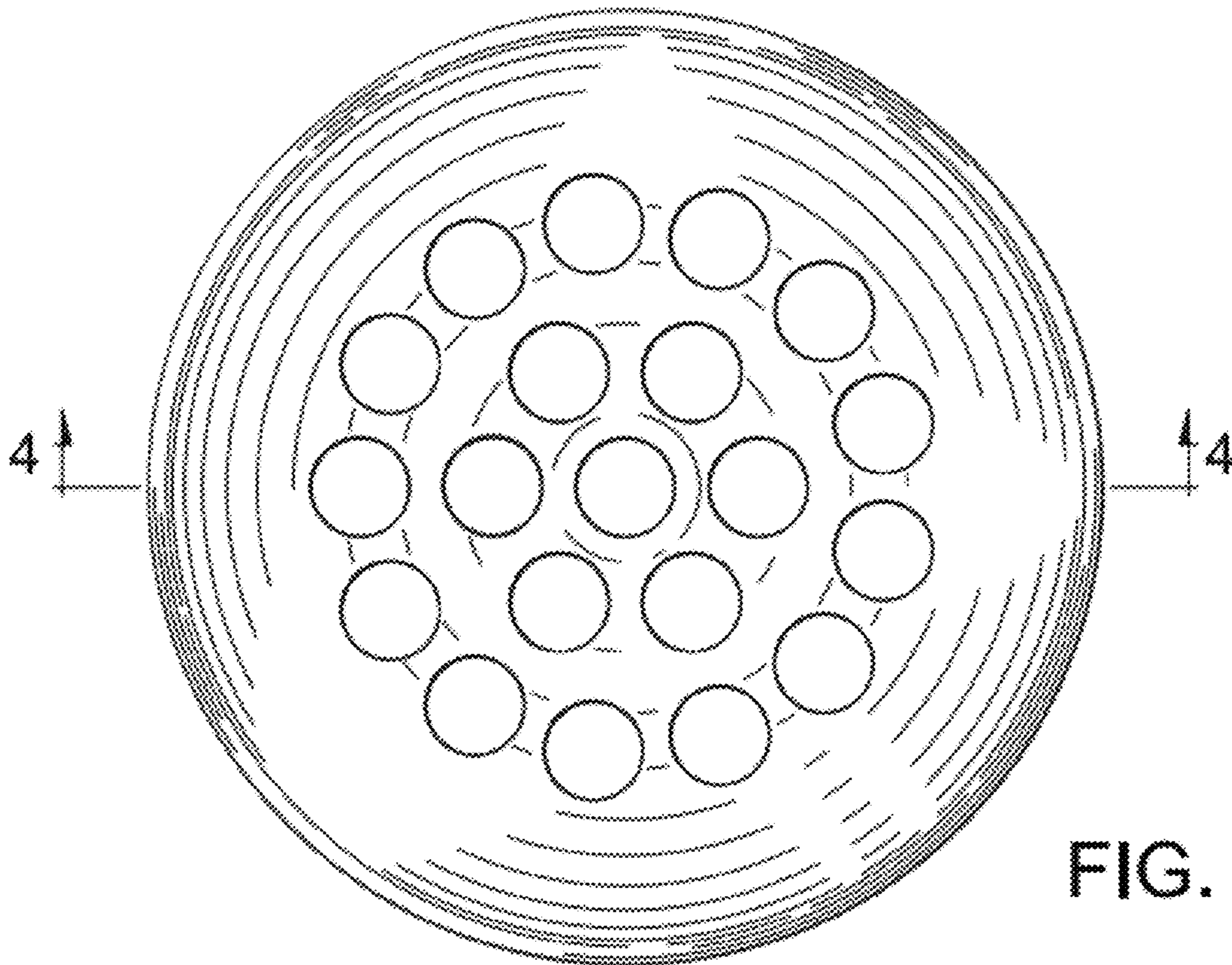


FIG. 2

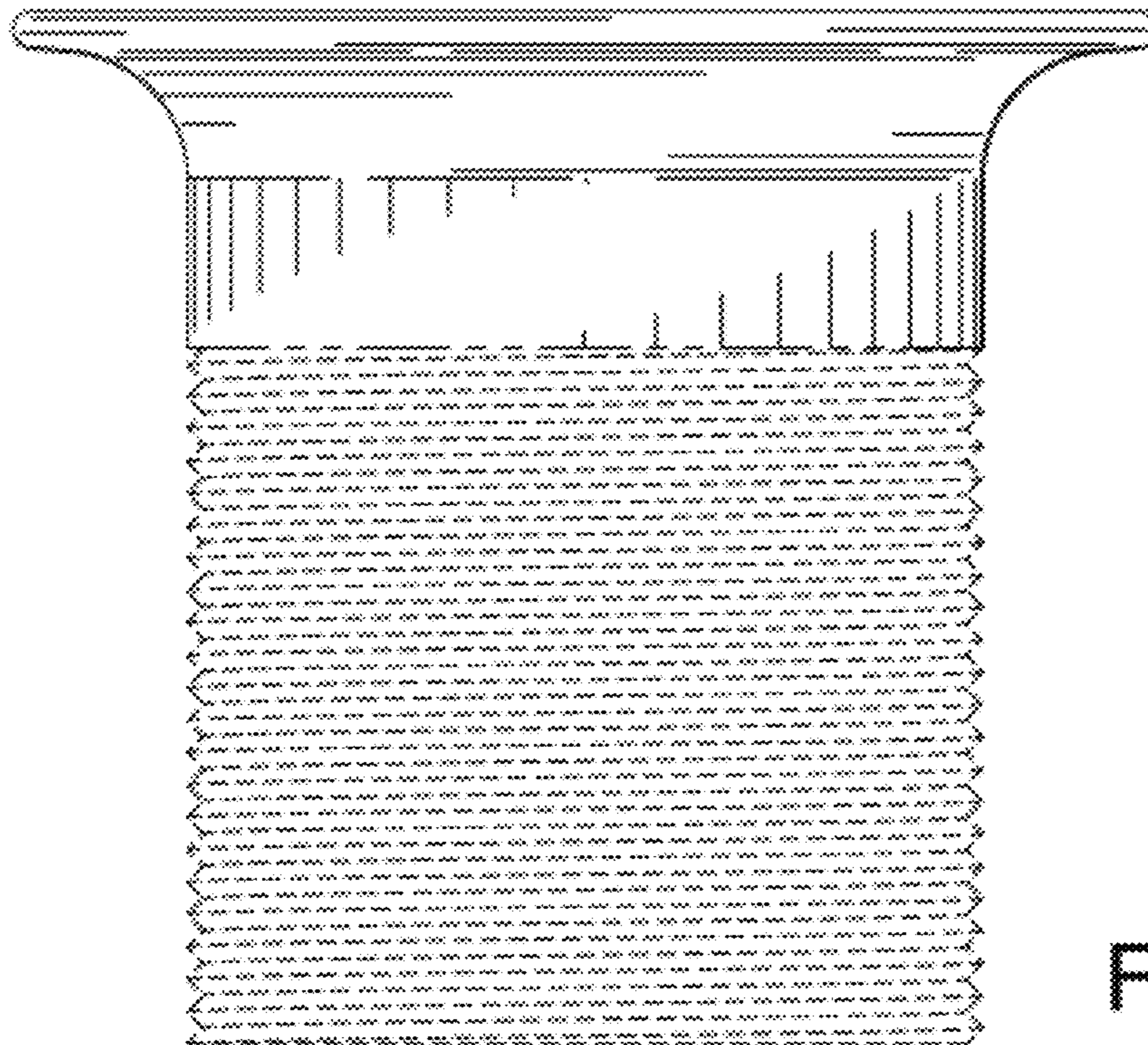


FIG. 3

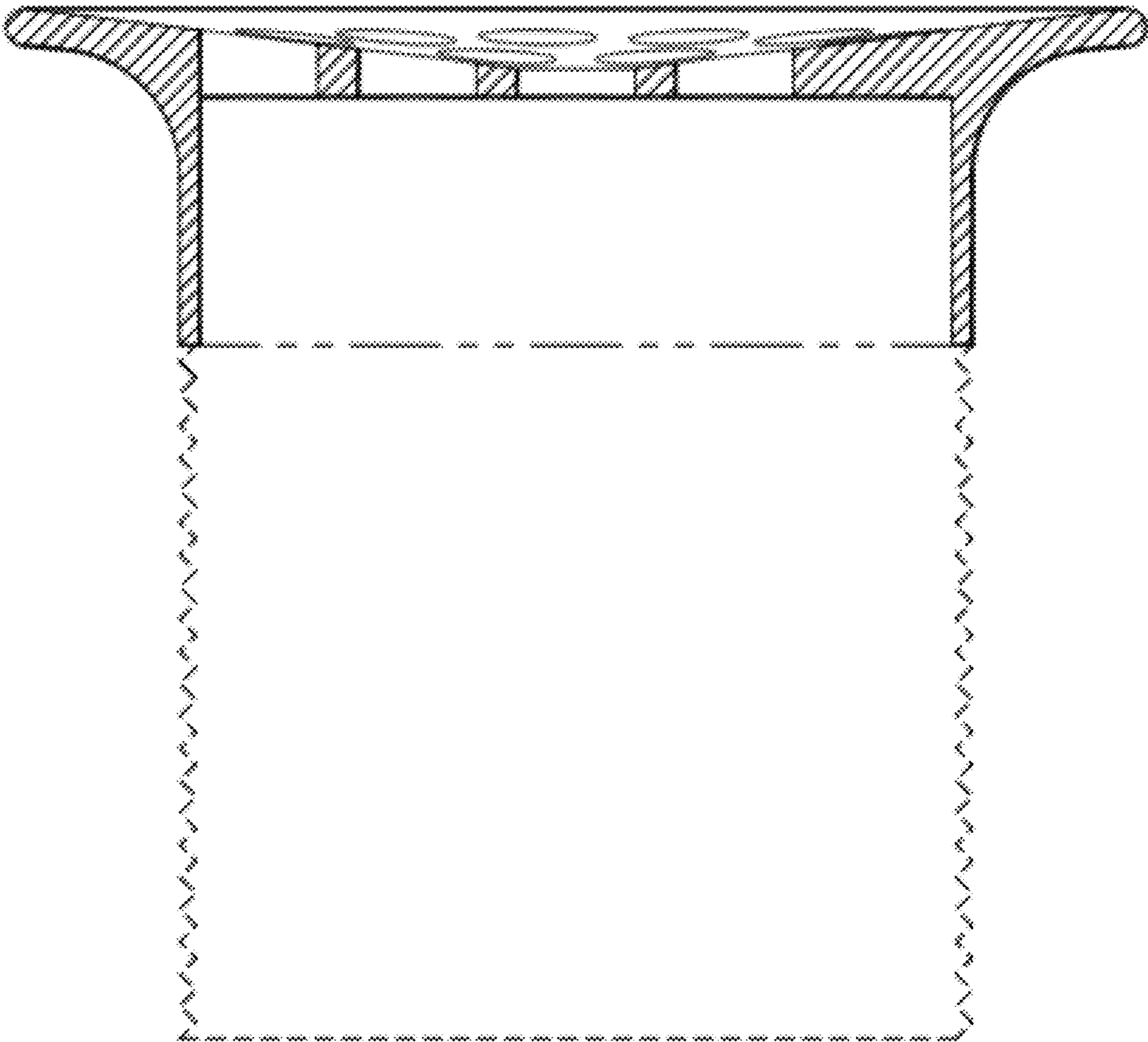


FIG. 4