

US00D670793S

(12) **United States Design Patent**
Marquis-Martin

(10) **Patent No.:** **US D670,793 S**

(45) **Date of Patent:** **** *Nov. 13, 2012**

(54) **BACK PLATE**

(75) Inventor: **Guillaume Hugo Marquis-Martin**,
Montreal (CA)

(73) Assignee: **IPEX Technologies Inc.**, Mississauga,
Ontario

(*) Notice: This patent is subject to a terminal disclaimer.

(**) Term: **14 Years**

(21) Appl. No.: **29/404,575**

(22) Filed: **Oct. 21, 2011**

Related U.S. Application Data

(63) Continuation-in-part of application No. 13/035,486,
filed on Feb. 25, 2011.

(51) **LOC (9) Cl.** **23-01**

(52) **U.S. Cl.** **D23/259**

(58) **Field of Classification Search** D23/259-262;
D8/353-354; 417/360; 137/810, 812-813,
137/315.11

See application file for complete search history.

(56) **References Cited**

U.S. PATENT DOCUMENTS

D243,655 S * 3/1977 Matousek et al. D8/354
D253,369 S * 11/1979 Koelble et al. D23/313

D256,915 S * 9/1980 Needleman D14/224
D371,138 S * 6/1996 Waskiewicz D15/5
D436,926 S * 1/2001 Lew D13/152
D442,197 S * 5/2001 Willet D15/143
D490,686 S * 6/2004 Martin D8/343
D508,198 S * 8/2005 Holger D8/353
D533,049 S * 12/2006 Fabrizi D8/353
D540,654 S * 4/2007 Aubert Capella D8/353
D540,655 S * 4/2007 Fabrizi D8/353

* cited by examiner

Primary Examiner — T. Chase Nelson

Assistant Examiner — Eric Goodman

(74) *Attorney, Agent, or Firm* — K&L Gates LLP

(57) **CLAIM**

The ornamental design for a back plate, as shown and described.

DESCRIPTION

FIG. 1 is a right perspective view of a back plate showing my new design;

FIG. 2 is a front view thereof;

FIG. 3 is a back view thereof;

FIG. 4 is a left side view thereof;

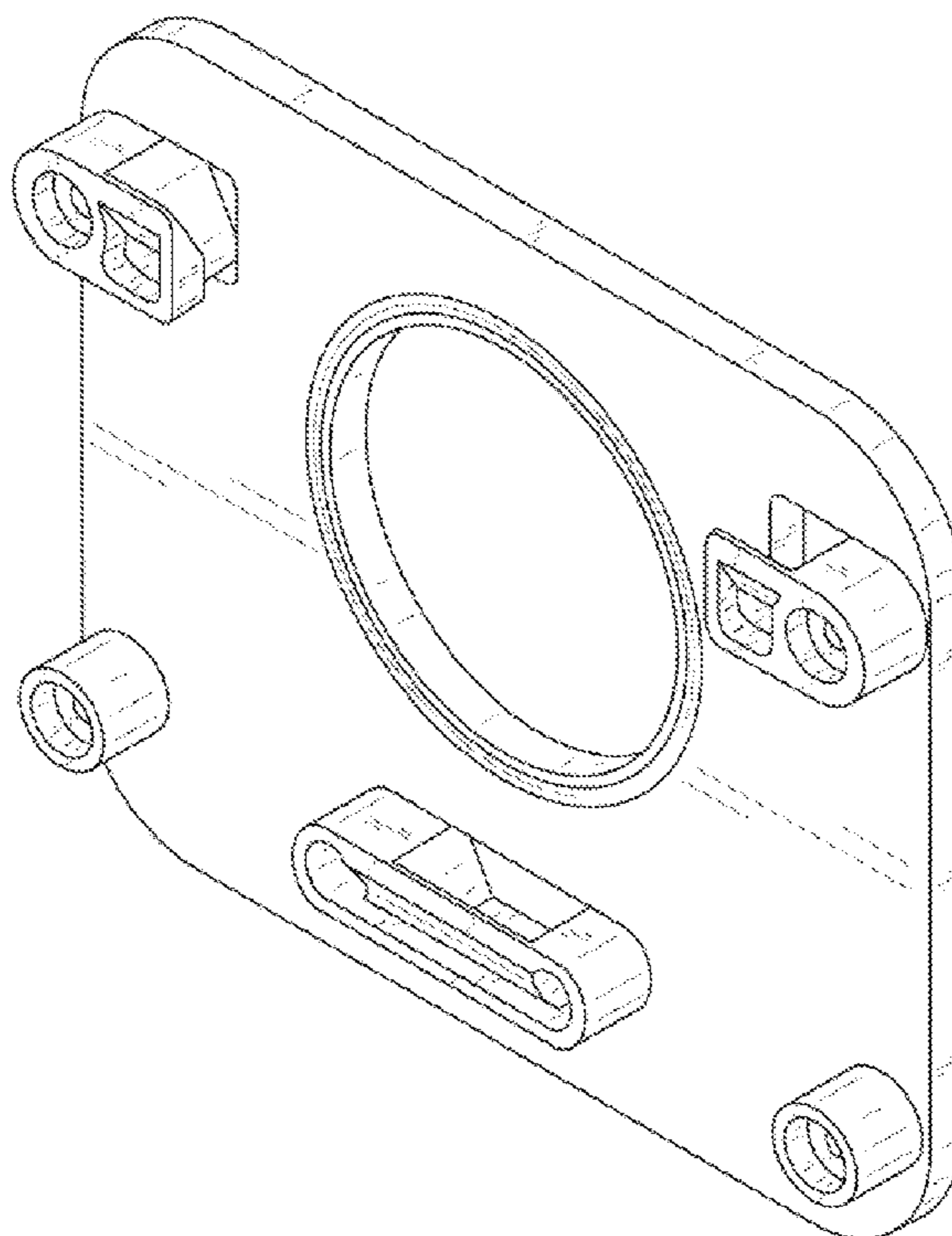
FIG. 5 is a right side view thereof;

FIG. 6 is a top view thereof; and,

FIG. 7 is a bottom view thereof.

The broken line portions in the drawings are for illustrative purposes and do not form a part of the claimed design.

1 Claim, 5 Drawing Sheets



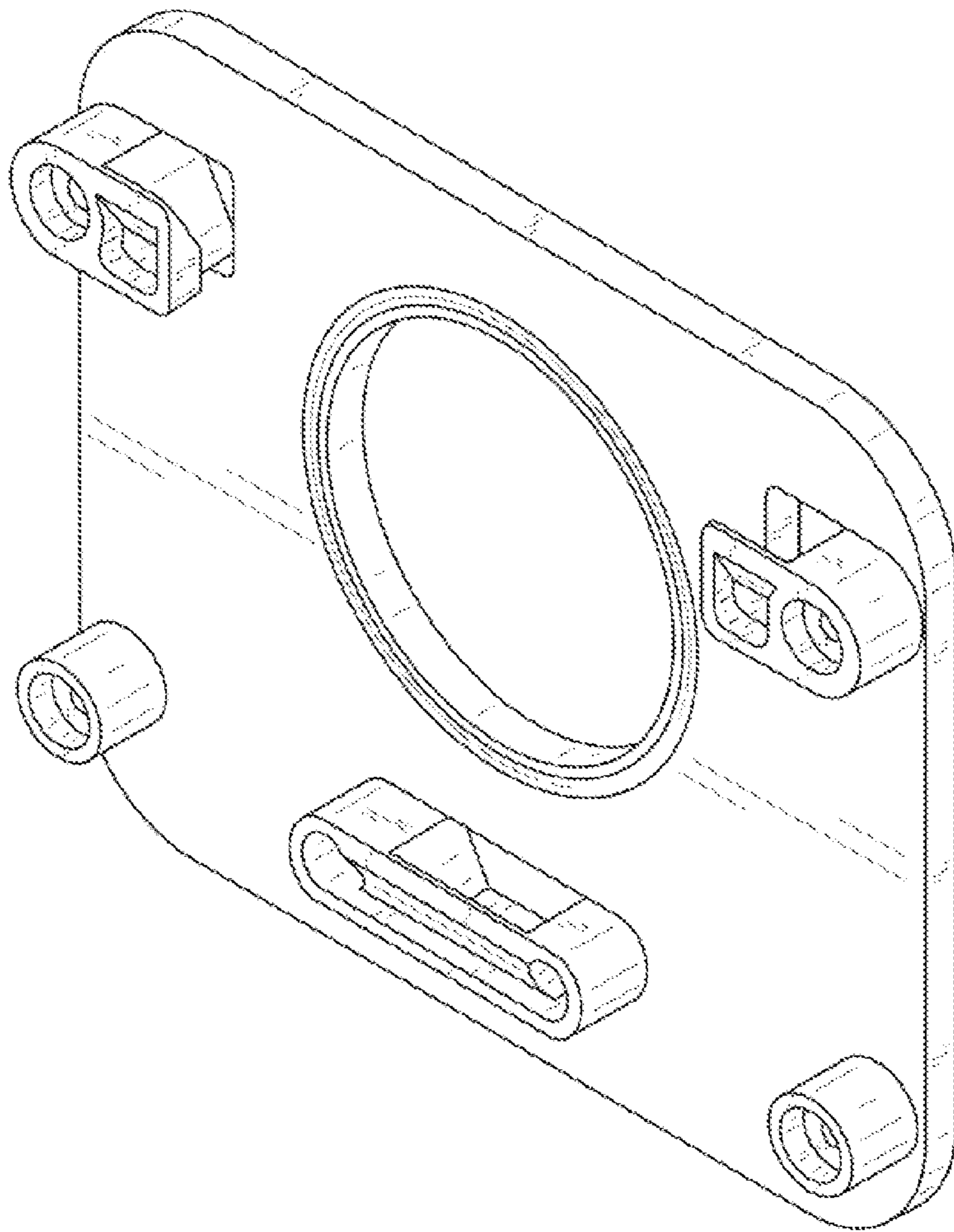


FIG. 1

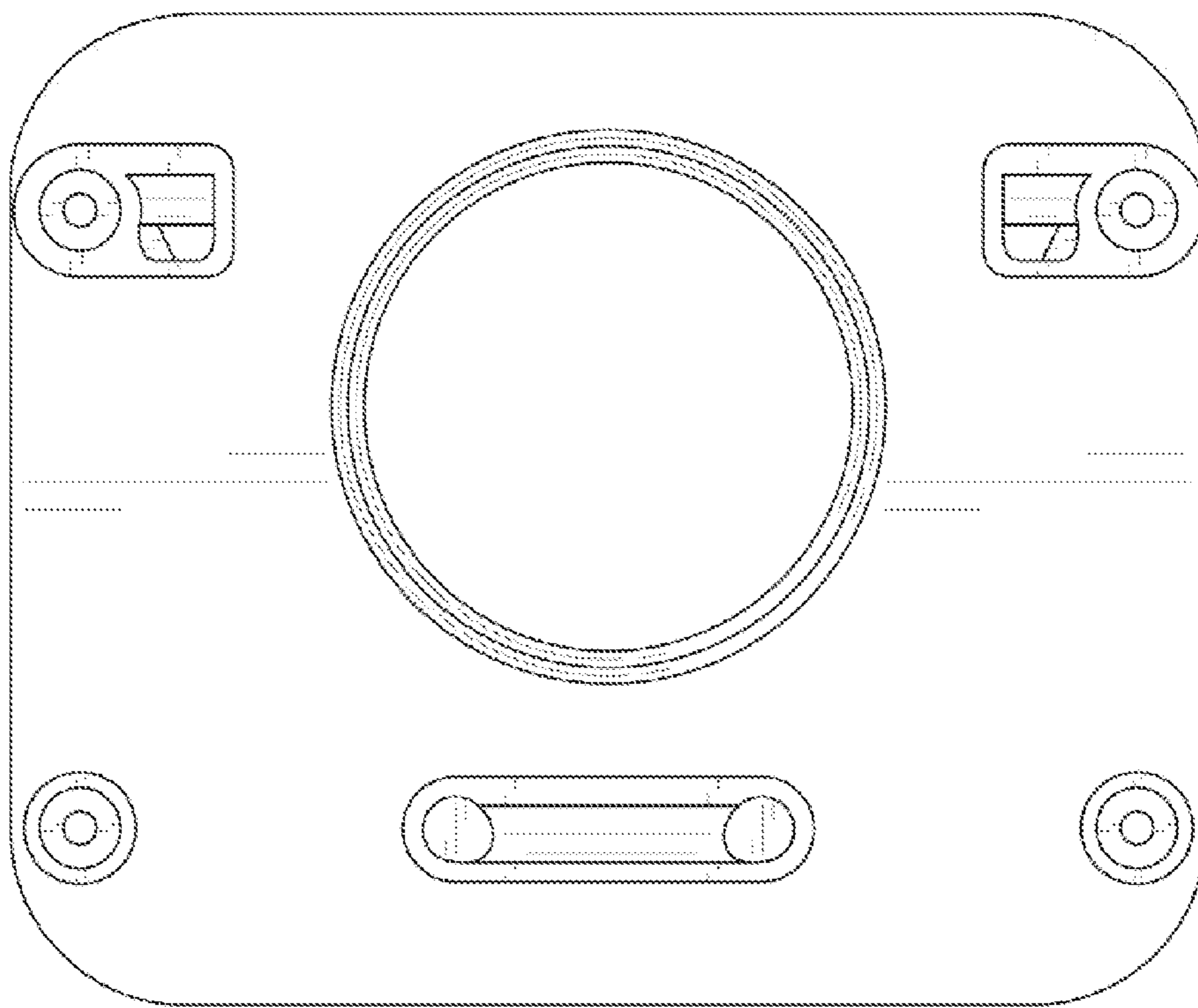


FIG. 2

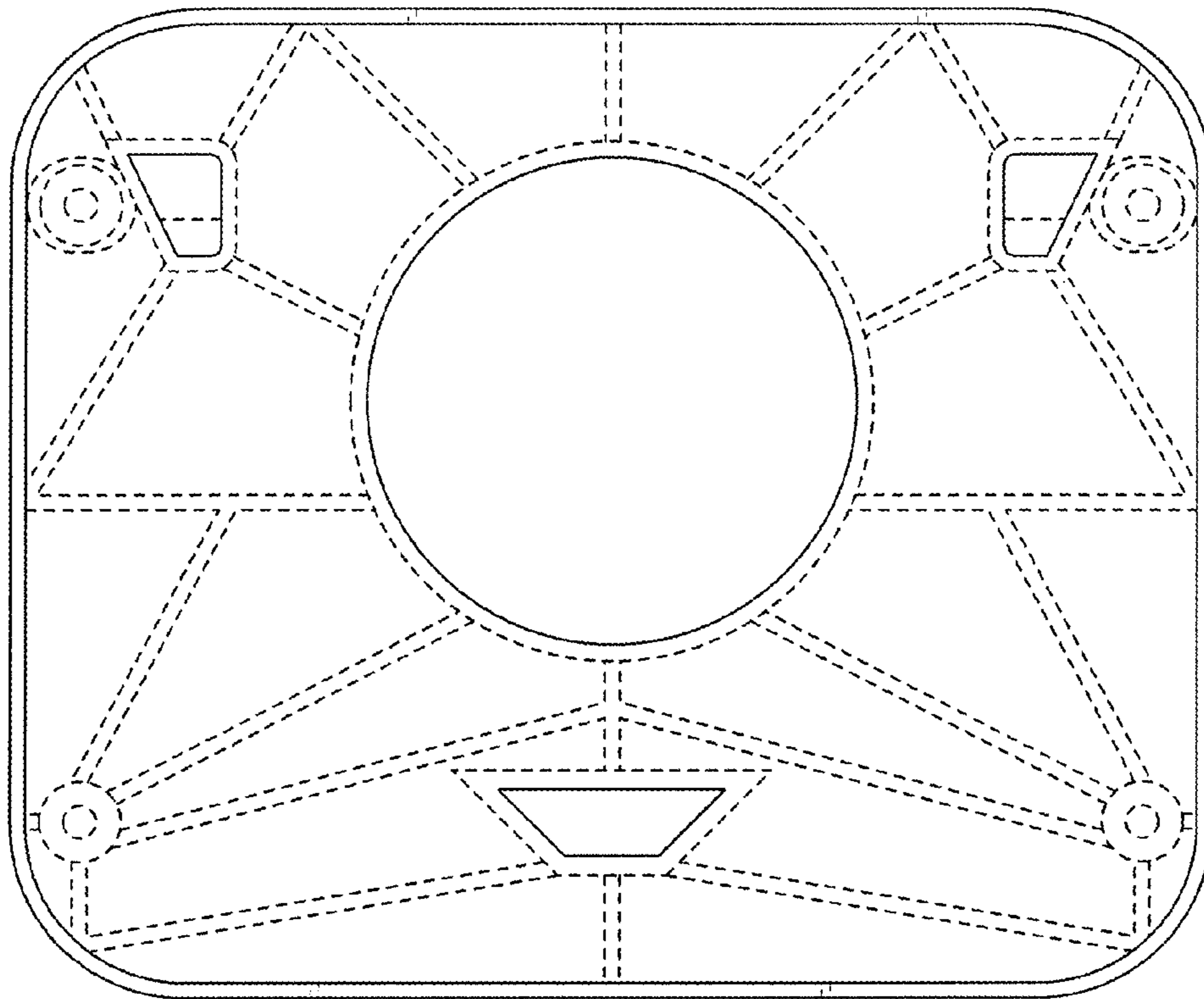


FIG. 3

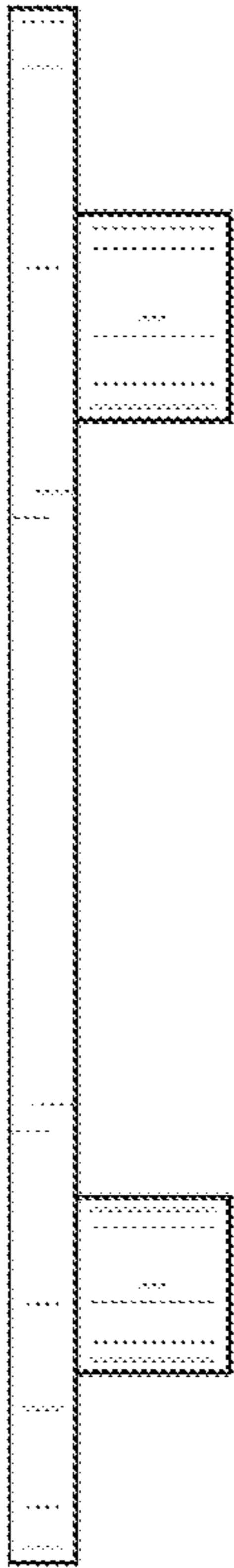


FIG. 4

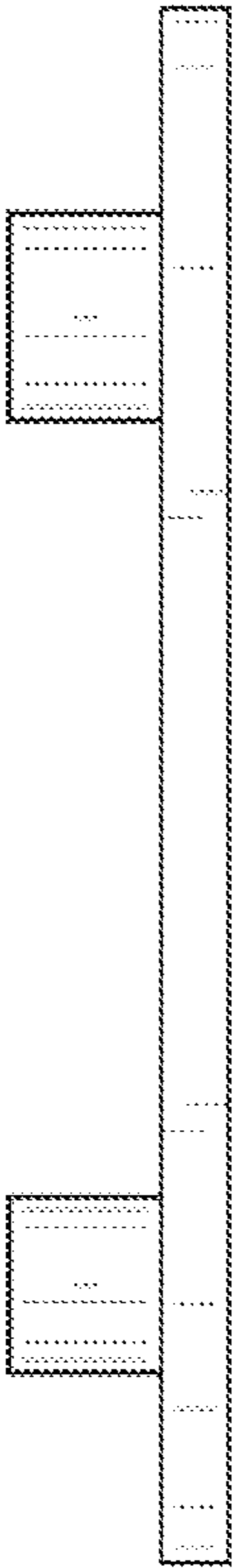


FIG. 5

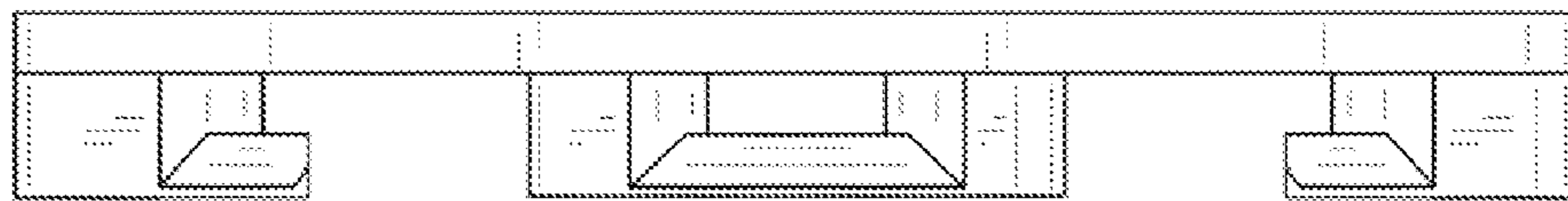


FIG. 6

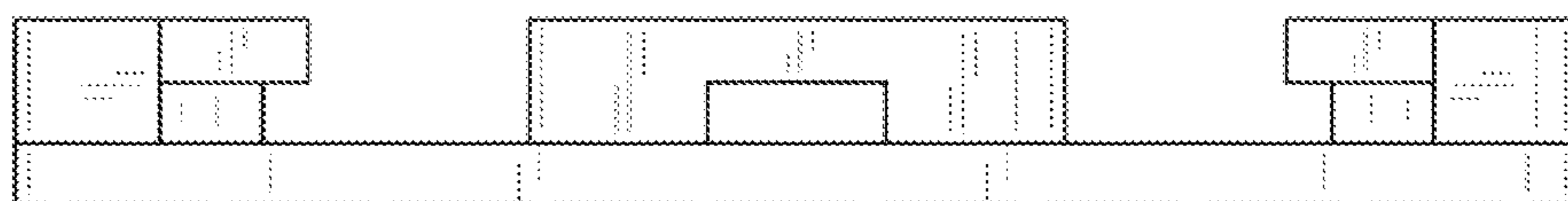


FIG. 7