



US00D670792S

(12) **United States Design Patent**
Gessford et al.

(10) **Patent No.:** **US D670,792 S**

(45) **Date of Patent:** **** Nov. 13, 2012**

(54) **GATE**

(76) Inventors: **Douglas K. Gessford**, Mount Sterling, KY (US); **James D. Eason**, Lexington, KY (US); **Harold S. Elam**, Olympia, KY (US); **Dusty W. Goldie**, Mount Sterling, KY (US); **Charles B. Millard**, Cincinnati, OH (US)

(**) Term: **14 Years**

(21) Appl. No.: **29/392,330**

(22) Filed: **May 19, 2011**

(51) **LOC (9) Cl.** **23-01**

(52) **U.S. Cl.** **D23/253; D25/39**

(58) **Field of Classification Search** **D25/38, D25/48.5; 256/73, 24-25**

See application file for complete search history.

(56) **References Cited**

U.S. PATENT DOCUMENTS

D214,782 S *	7/1969	Thom	D25/44
4,124,198 A	11/1978	Wong		
4,143,857 A	3/1979	Weiner		
5,076,546 A	12/1991	Henry		
5,282,606 A	2/1994	Praiss		
5,533,715 A	7/1996	Dandrea		
5,626,330 A	5/1997	Young		
5,890,702 A	4/1999	Lubore		
5,996,973 A	12/1999	Campbell		
6,027,104 A	2/2000	Alexander et al.		
D422,089 S	3/2000	Blad		
D422,367 S	4/2000	Mishina		
6,095,503 A	8/2000	Burley et al.		
6,123,321 A	9/2000	Miller		
6,126,145 A	10/2000	Mohr		
6,685,172 B2	2/2004	Jolliffe		
D502,551 S	3/2005	Hotaling et al.		
D626,660 S *	11/2010	Bertsch	D25/48.5
2006/0076545 A1	4/2006	Reynders et al.		
2007/0017156 A1	1/2007	Robinson et al.		

OTHER PUBLICATIONS

U.S. Appl. No. 29/235,408, filed Aug. 1, 2005, Robinson.

* cited by examiner

Primary Examiner — Robert Delehanty

(74) *Attorney, Agent, or Firm* — King & Schickli, PLLC

(57) **CLAIM**

The ornamental design for a gate, as shown and described.

DESCRIPTION

FIG. 1 is an isometric view of the gate of the present invention in a retracted position;

FIG. 2 is a rear elevational view thereof;

FIG. 3 is a right side elevational view thereof;

FIG. 4 is a front elevational view thereof;

FIG. 5 is a left side elevational view thereof;

FIG. 6 is a top plan view thereof;

FIG. 7 is a bottom plan view thereof;

FIG. 8 is an isometric view of the present invention in an expanded position;

FIG. 9 is a rear elevational view thereof in the expanded position;

FIG. 10 is a front elevational view thereof in the expanded position;

FIG. 11 is a top plan view thereof in the expanded position;

FIG. 12 is a bottom plan view thereof in the expanded position;

FIG. 13 is a further isometric view of the gate of the present invention in a retracted position;

FIG. 14 is a rear elevational view thereof;

FIG. 15 is a right side elevational view thereof;

FIG. 16 is a front elevational view thereof;

FIG. 17 is a left side elevational view thereof;

FIG. 18 is a top plan view thereof;

FIG. 19 is a bottom plan view thereof;

FIG. 20 is an isometric view of the present invention in an expanded position;

FIG. 21 is a rear elevational view thereof in the expanded position;

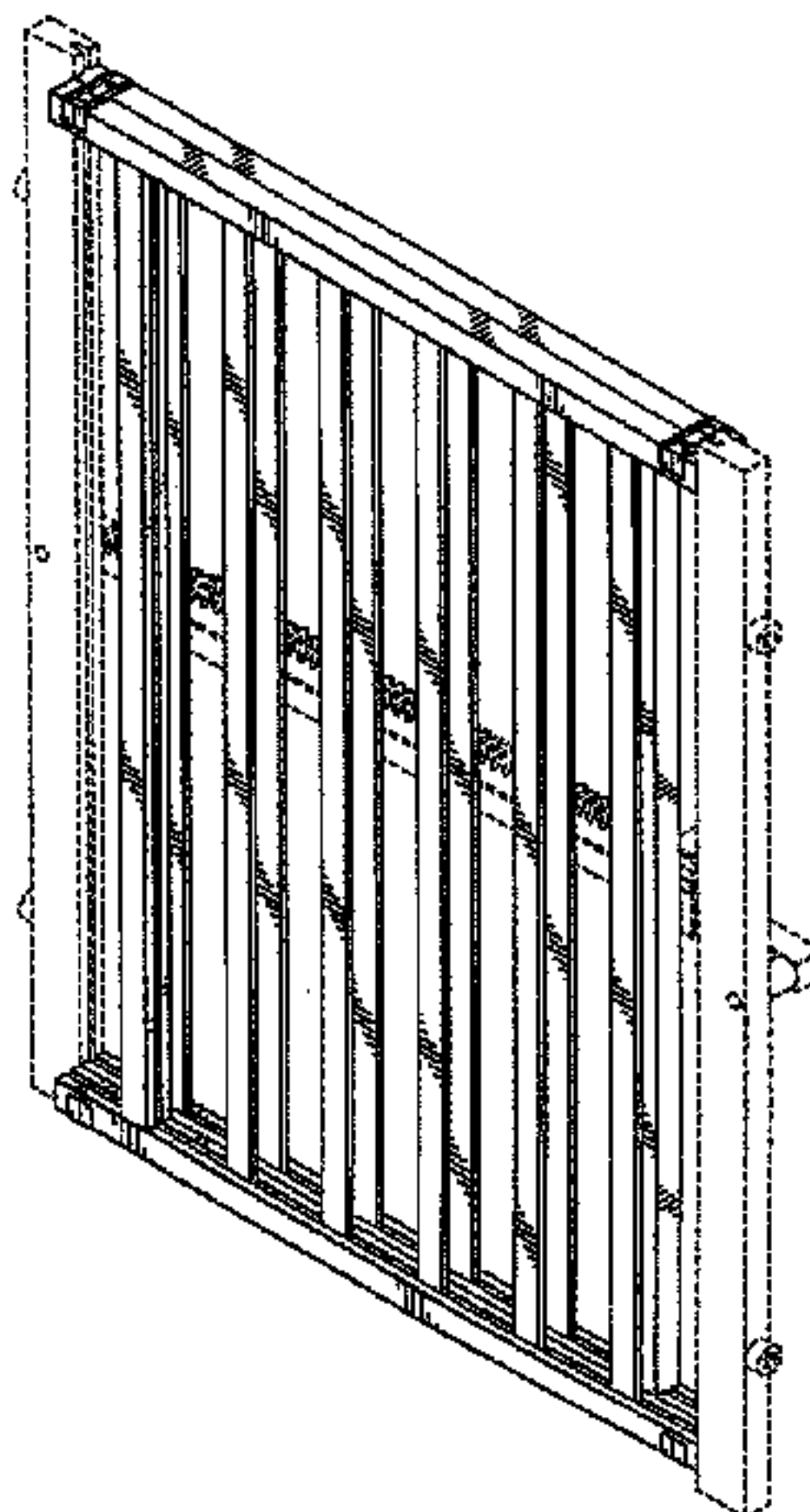
FIG. 22 is a front elevational view thereof in the expanded position;

FIG. 23 is a top plan view thereof in the expanded position; and,

FIG. 24 is a bottom plan view thereof in the expanded position.

The broken line showing similar adjacent barriers in FIG. 1 is included for the purpose of illustrating a portion of the barrier that forms no part of the claimed design.

1 Claim, 14 Drawing Sheets



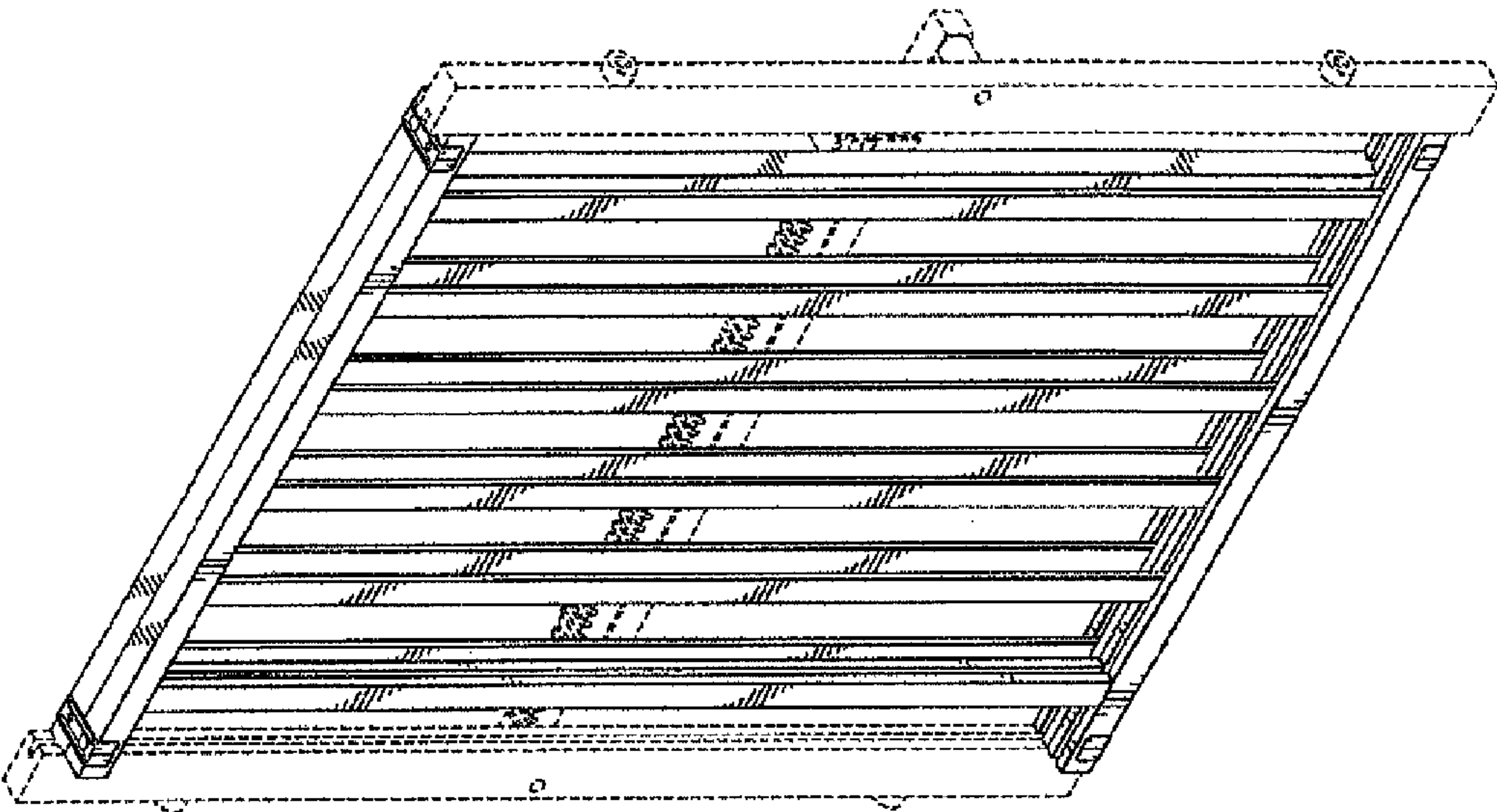


FIG. 1



FIG. 3

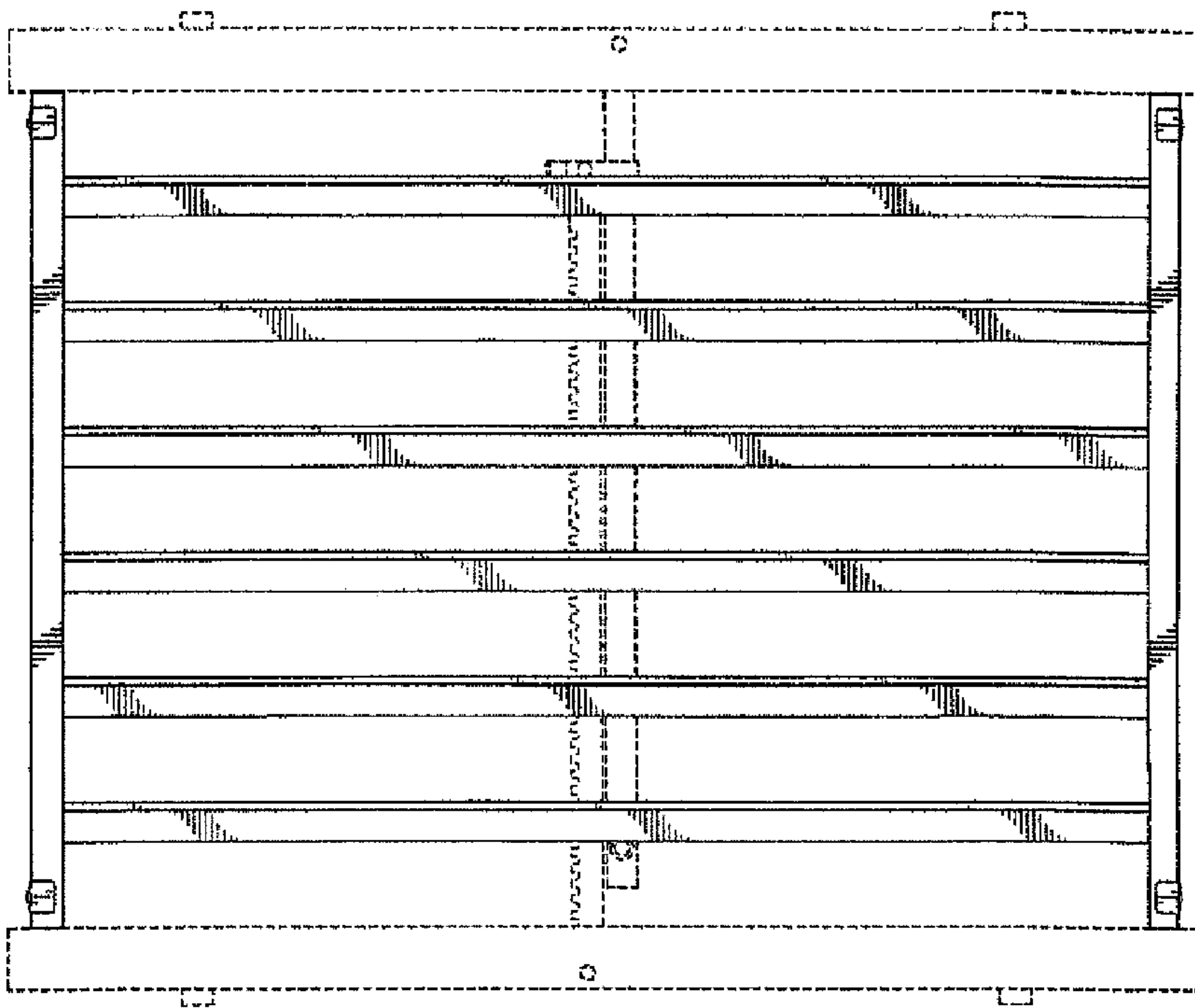


FIG. 2

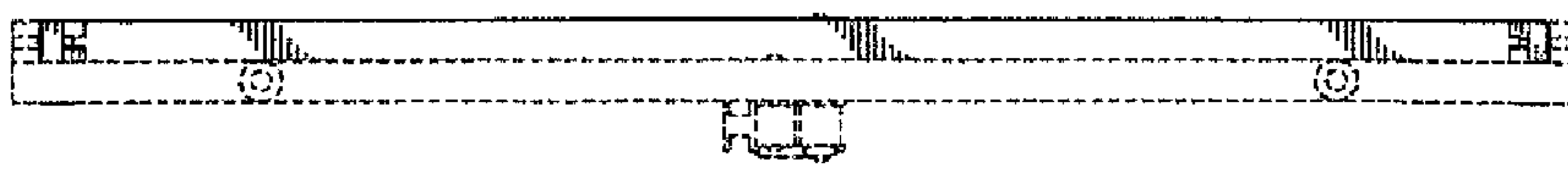


FIG. 5



FIG. 6

FIG. 4

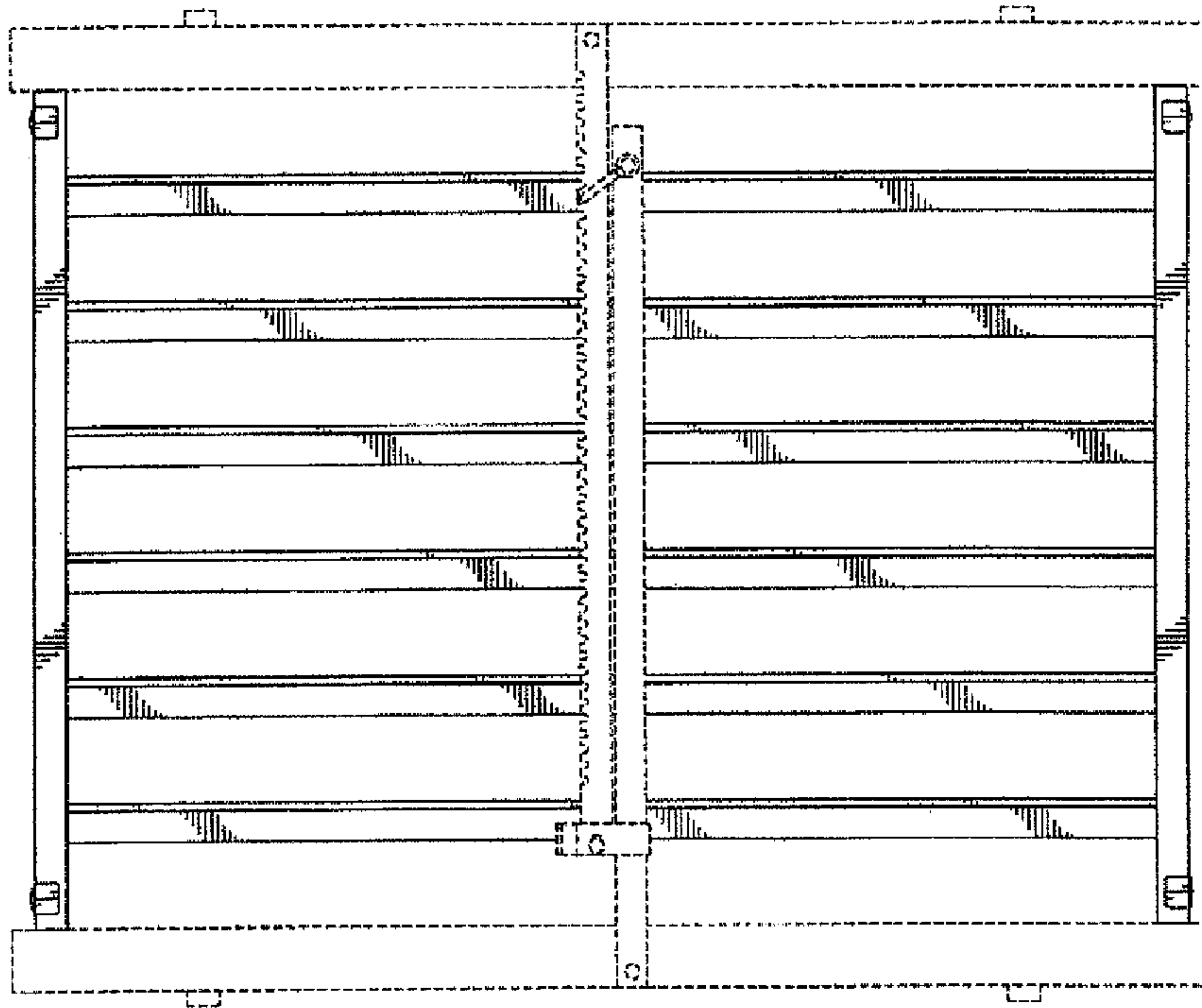


FIG. 7



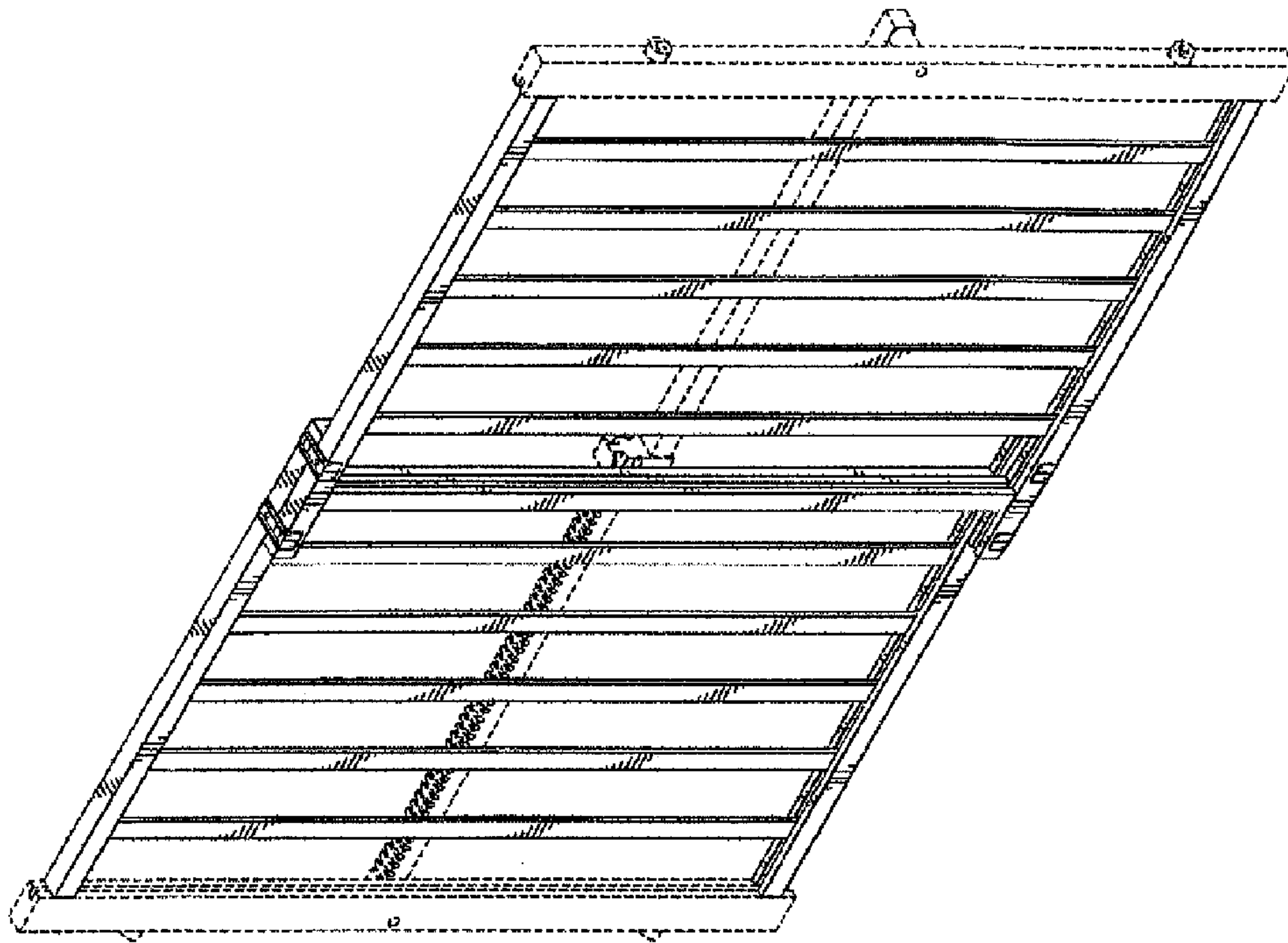


FIG. 8

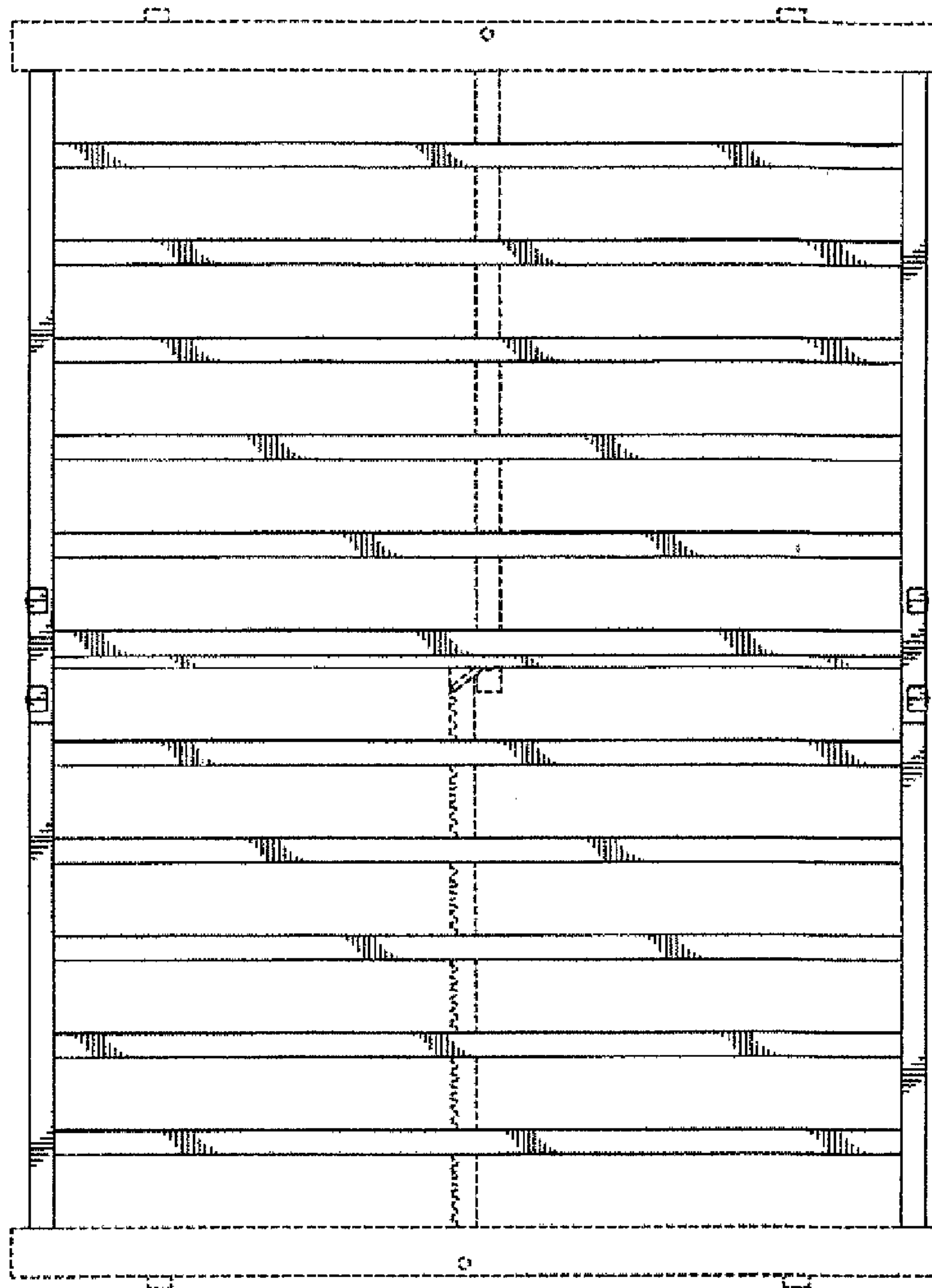


FIG. 9

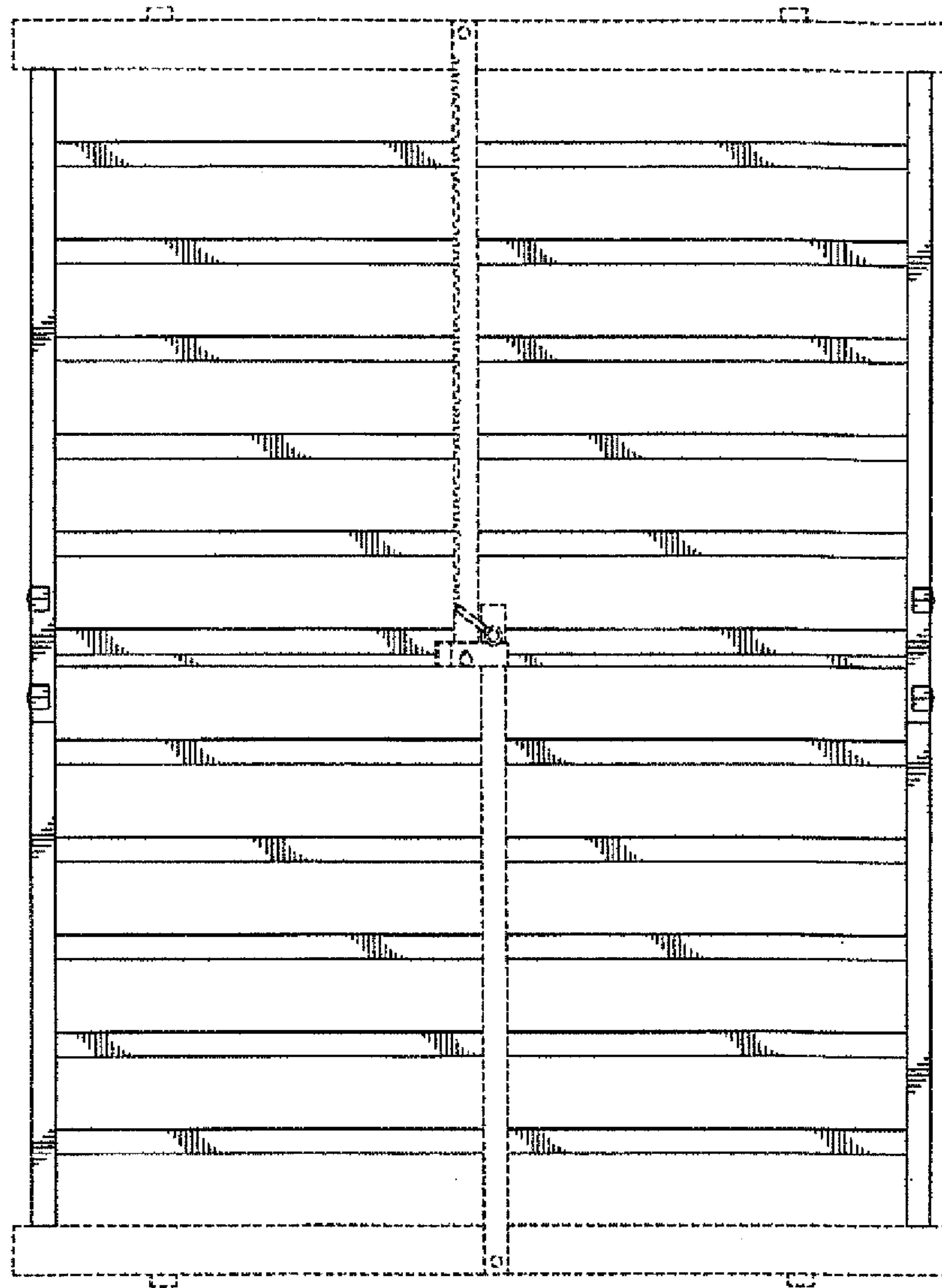


FIG. 10



FIG. 11



FIG. 12

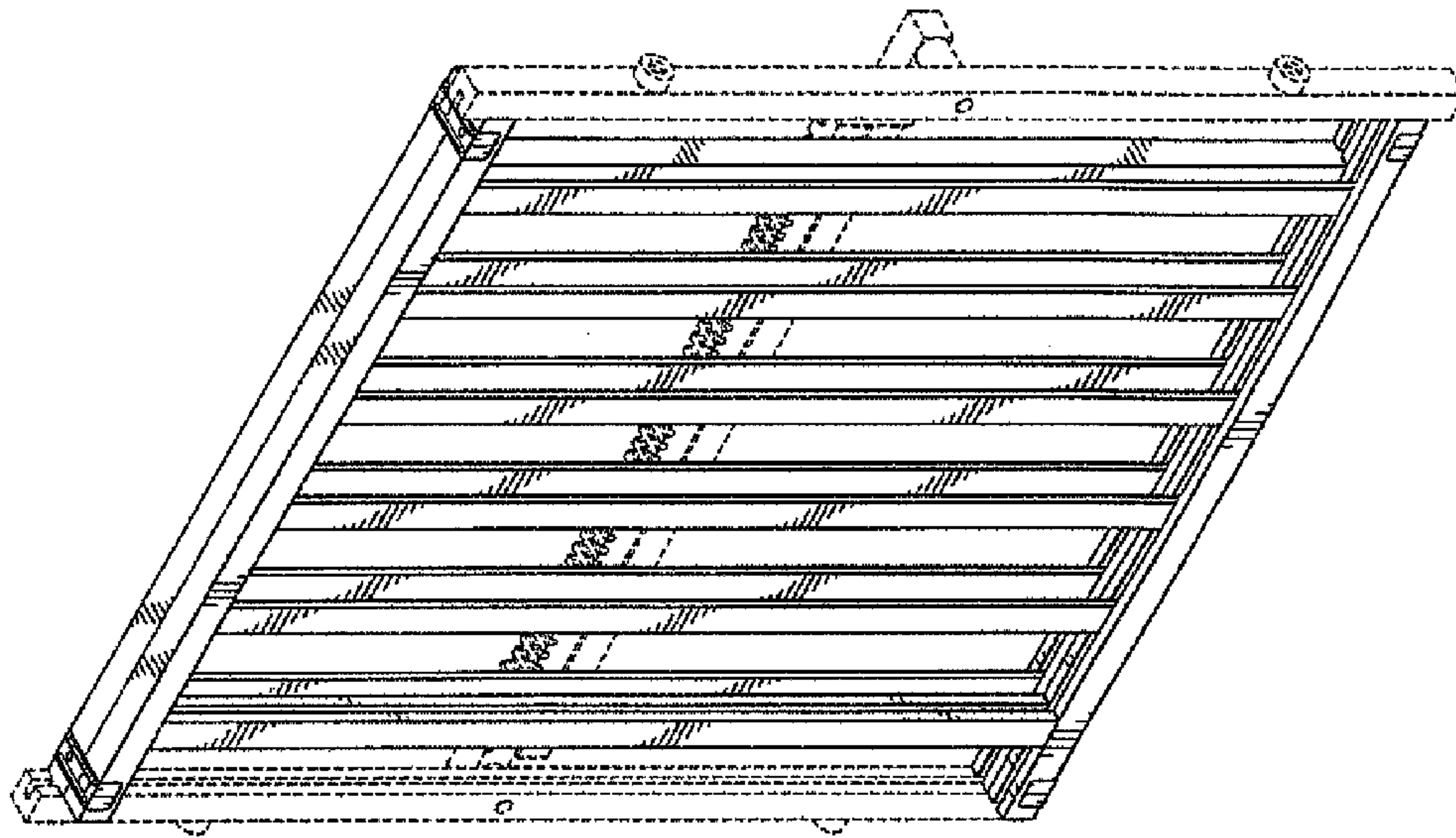


FIG. 13



FIG. 15

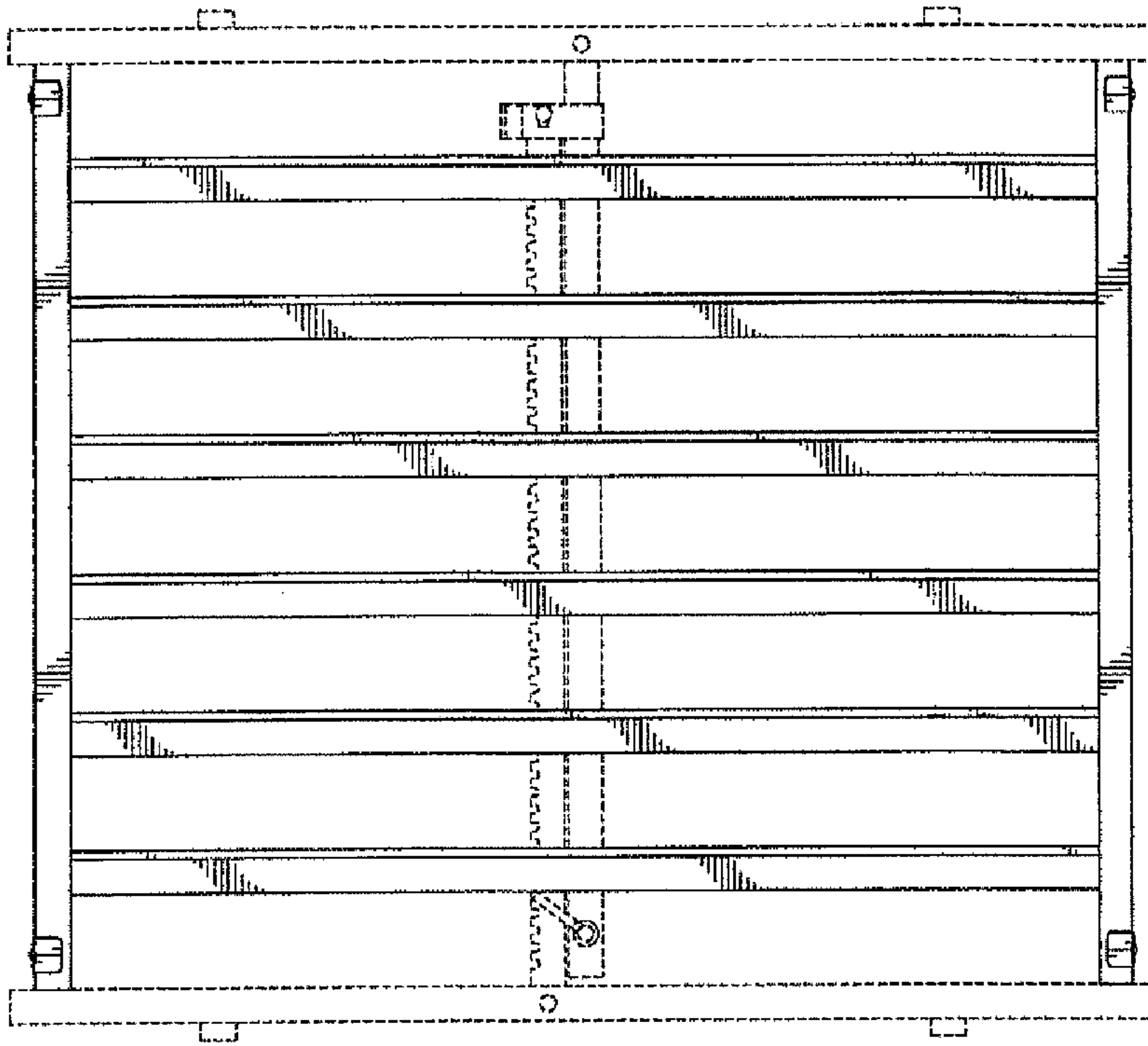


FIG. 14

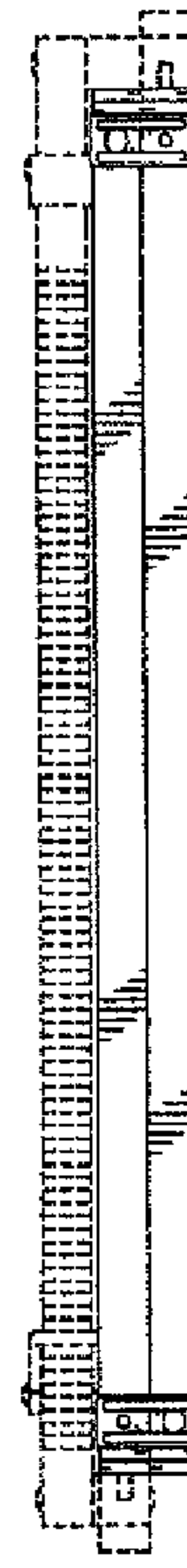


FIG. 18

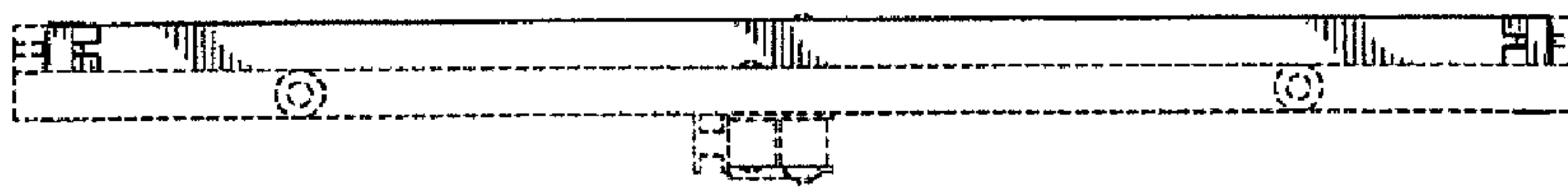


FIG. 17

FIG. 16

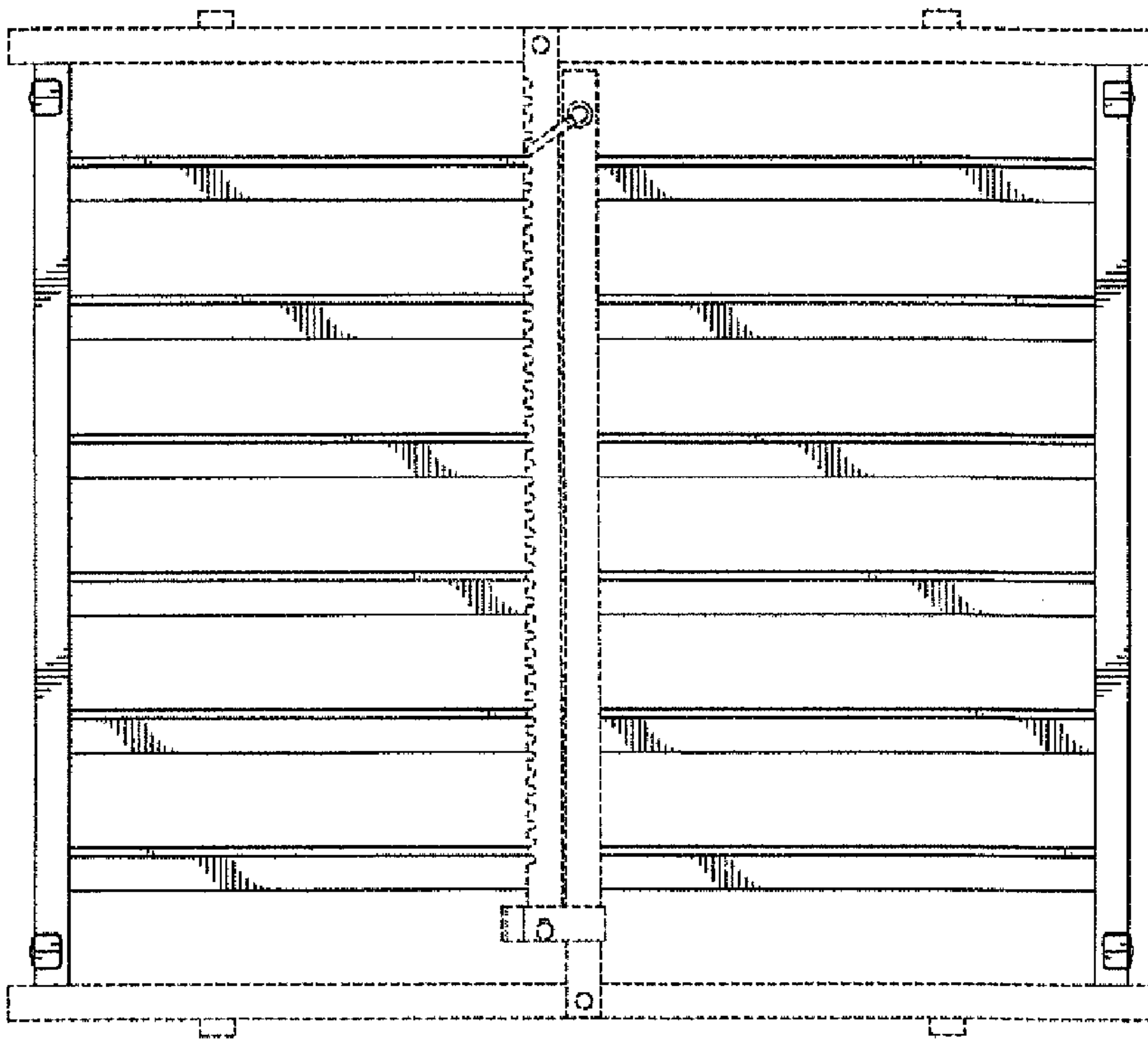
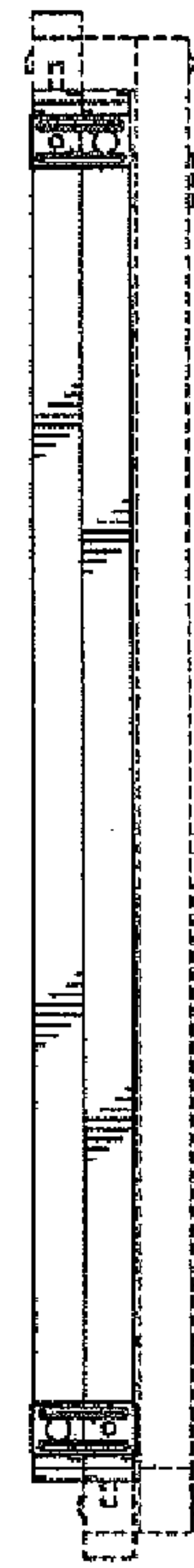


FIG. 19



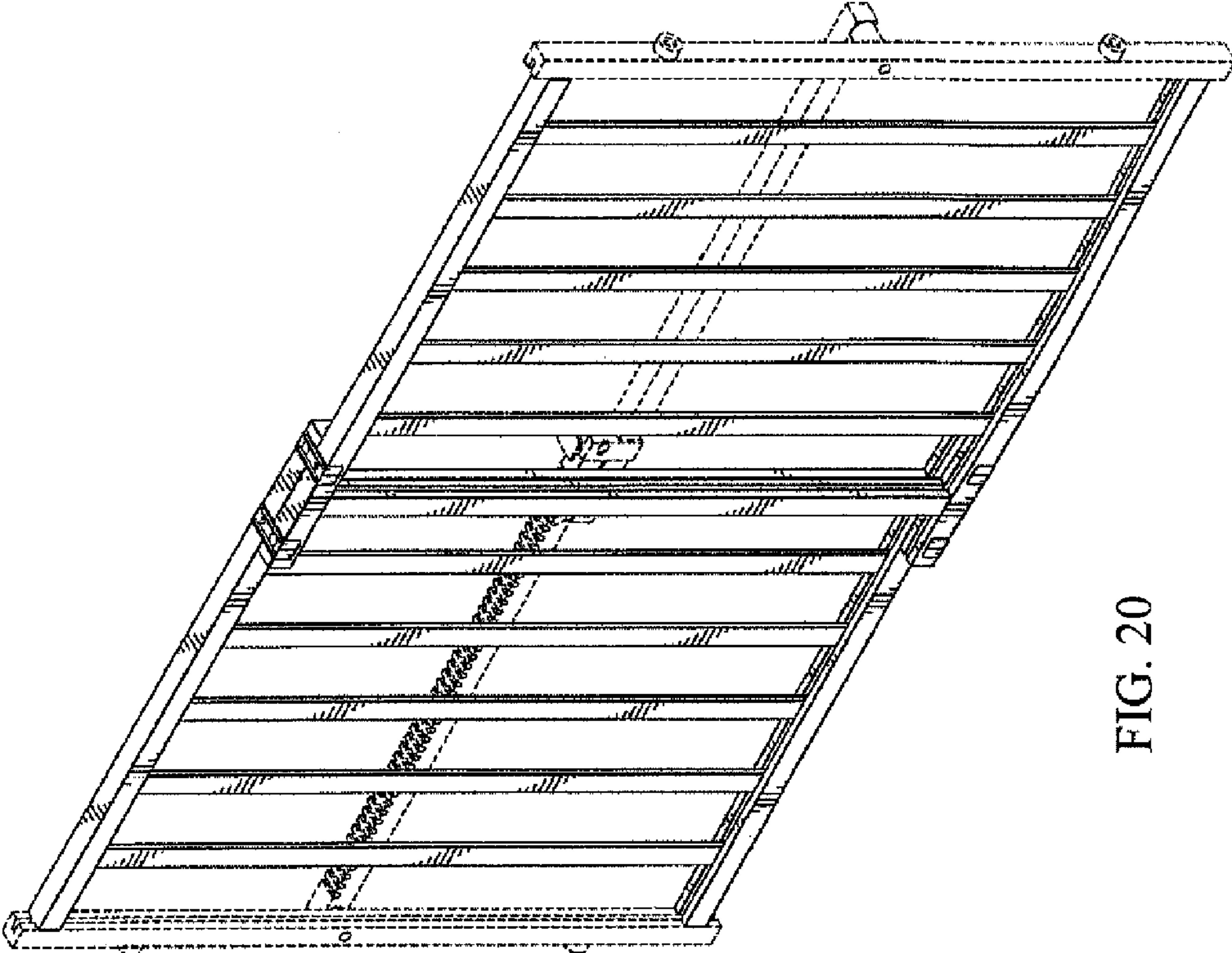


FIG. 20

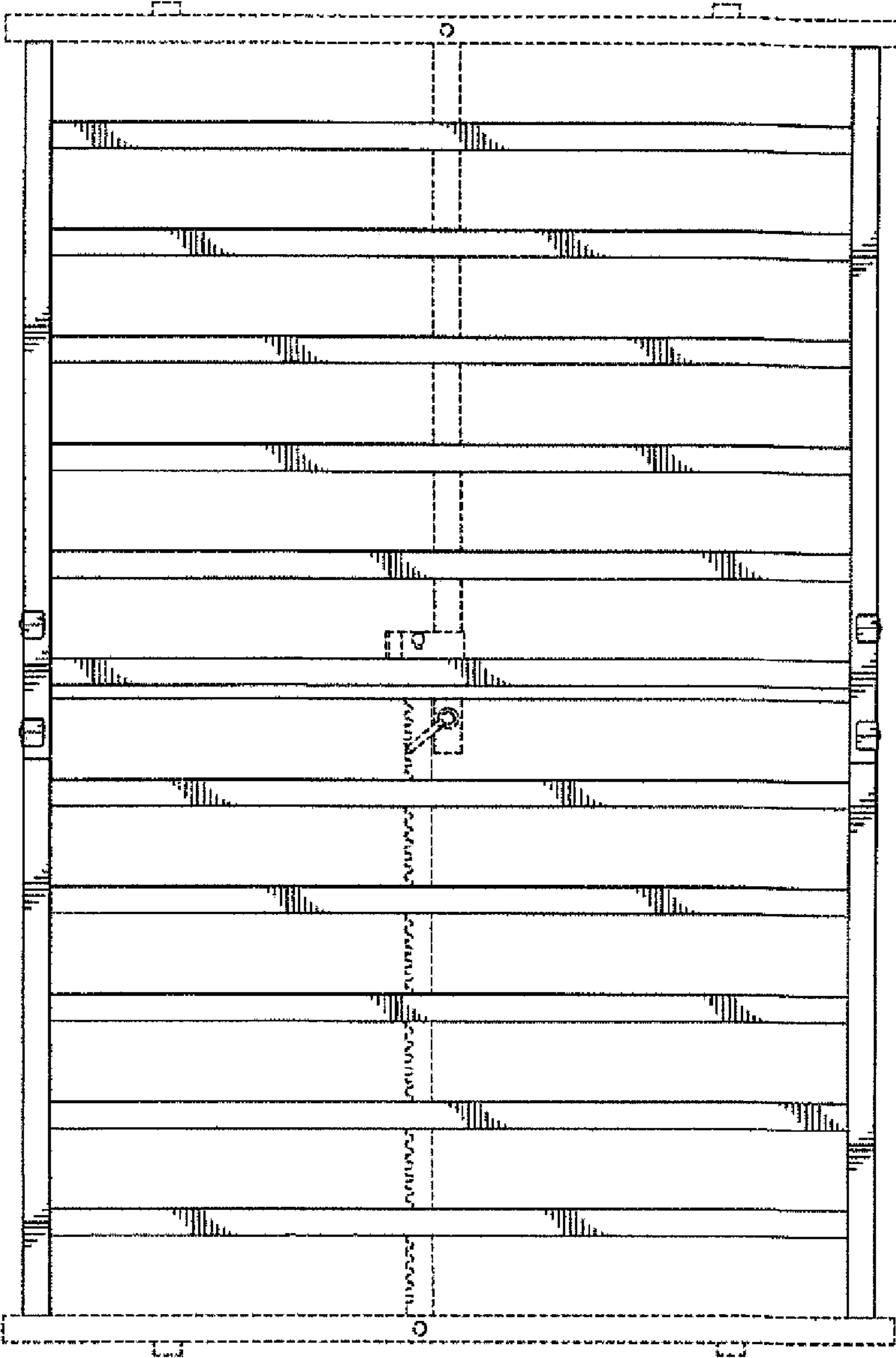


FIG. 21

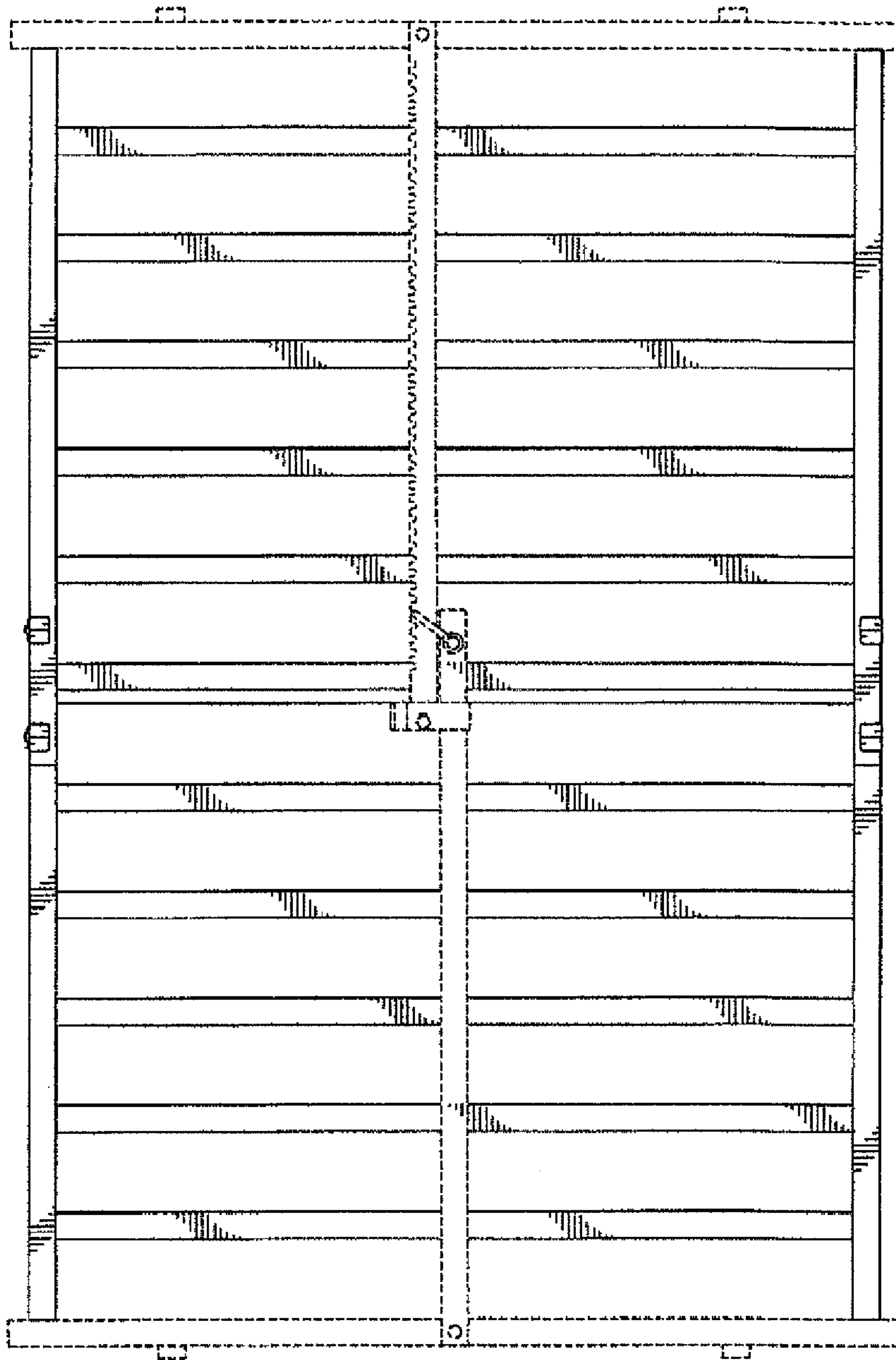


FIG. 22



FIG. 23



FIG. 24