



US00D670788S

(12) **United States Design Patent**
Plantz et al.

(10) **Patent No.:** **US D670,788 S**

(45) **Date of Patent:** **** Nov. 13, 2012**

(54) **SPRAYER**

(75) Inventors: **Jeffrey S. Plantz**, Piedmont, SC (US);
George A. Mitchell, Utica, NY (US);
Jeffrey D. Nicolia, Oneida, NY (US)

(73) Assignee: **The Fountainhead Group, Inc.**, New York Mills, NY (US)

(**) Term: **14 Years**

(21) Appl. No.: **29/412,506**

(22) Filed: **Feb. 3, 2012**

(51) **LOC (9) Cl.** **23-01**

(52) **U.S. Cl.** **D23/225**

(58) **Field of Classification Search** D23/213,
D23/225, 202; 239/302, 308, 337, 332-333,
239/DIG. 14; 222/465.1, 383.1, 383.3

See application file for complete search history.

(56) **References Cited**

U.S. PATENT DOCUMENTS

4,618,099 A * 10/1986 Nagao et al. 239/332
6,508,410 B1 * 1/2003 Thomas et al. 239/1

D542,373 S * 5/2007 Cooper D23/225
D639,388 S * 6/2011 Plantz et al. D23/225
D639,389 S * 6/2011 Plantz et al. D23/225
D647,174 S * 10/2011 Henderson D23/225

* cited by examiner

Primary Examiner — Robin V Webster

(74) *Attorney, Agent, or Firm* — George R. McGuire; Bond Schoeneck & King

(57) **CLAIM**

The ornamental design for sprayer, as shown and described.

DESCRIPTION

FIG. 1 is a perspective view of a new and ornamental design for a sprayer, the hose portion being shown in phantom for environmental purposes only and forming no part of the claimed design;

FIG. 2 is a front elevation view thereof;

FIG. 3 is a rear elevation view thereof;

FIG. 4 is a first side elevation view thereof;

FIG. 5 is second side elevation view thereof;

FIG. 6 is a top plan view thereof; and,

FIG. 7 is a bottom plan view thereof.

1 Claim, 7 Drawing Sheets

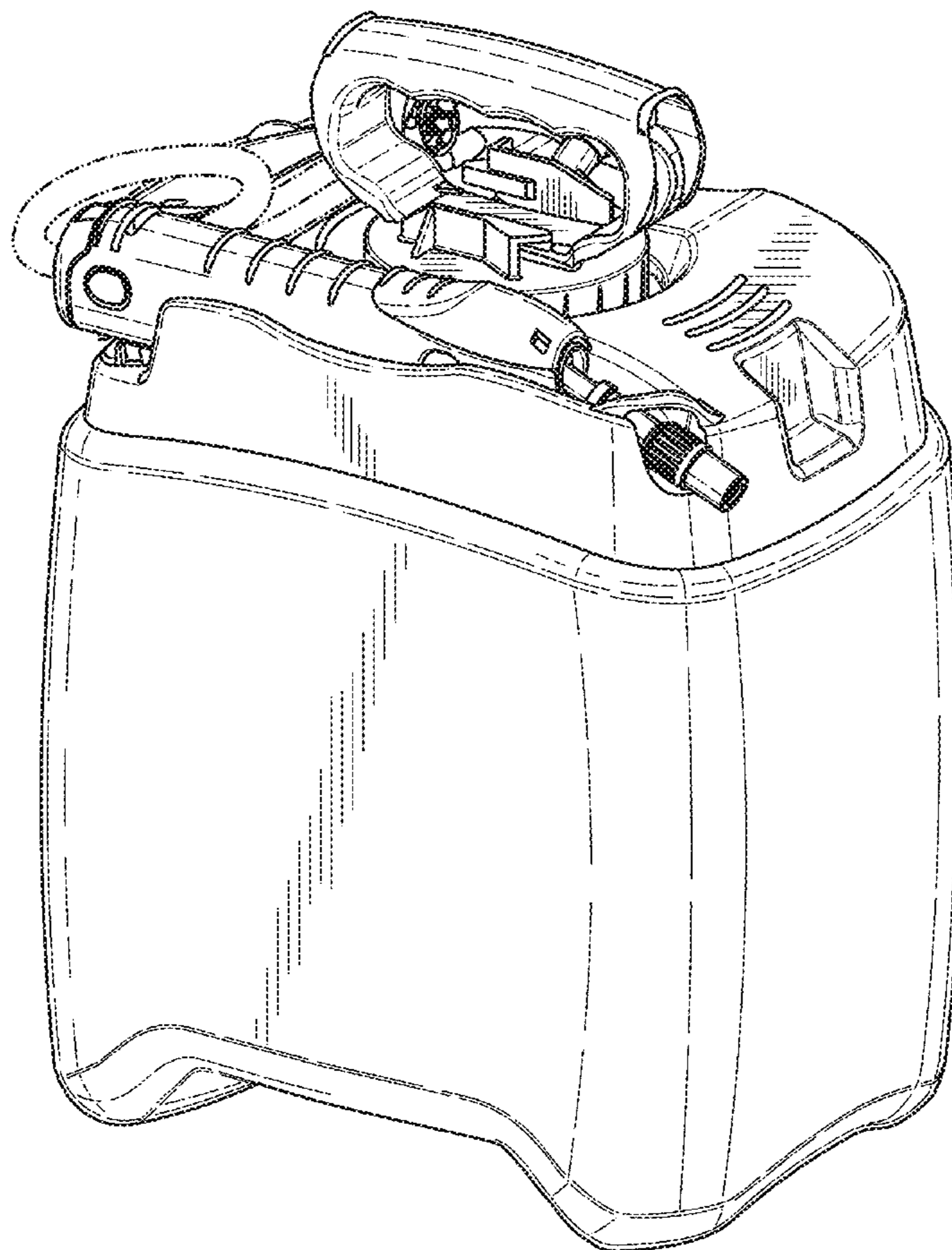


Fig. 1

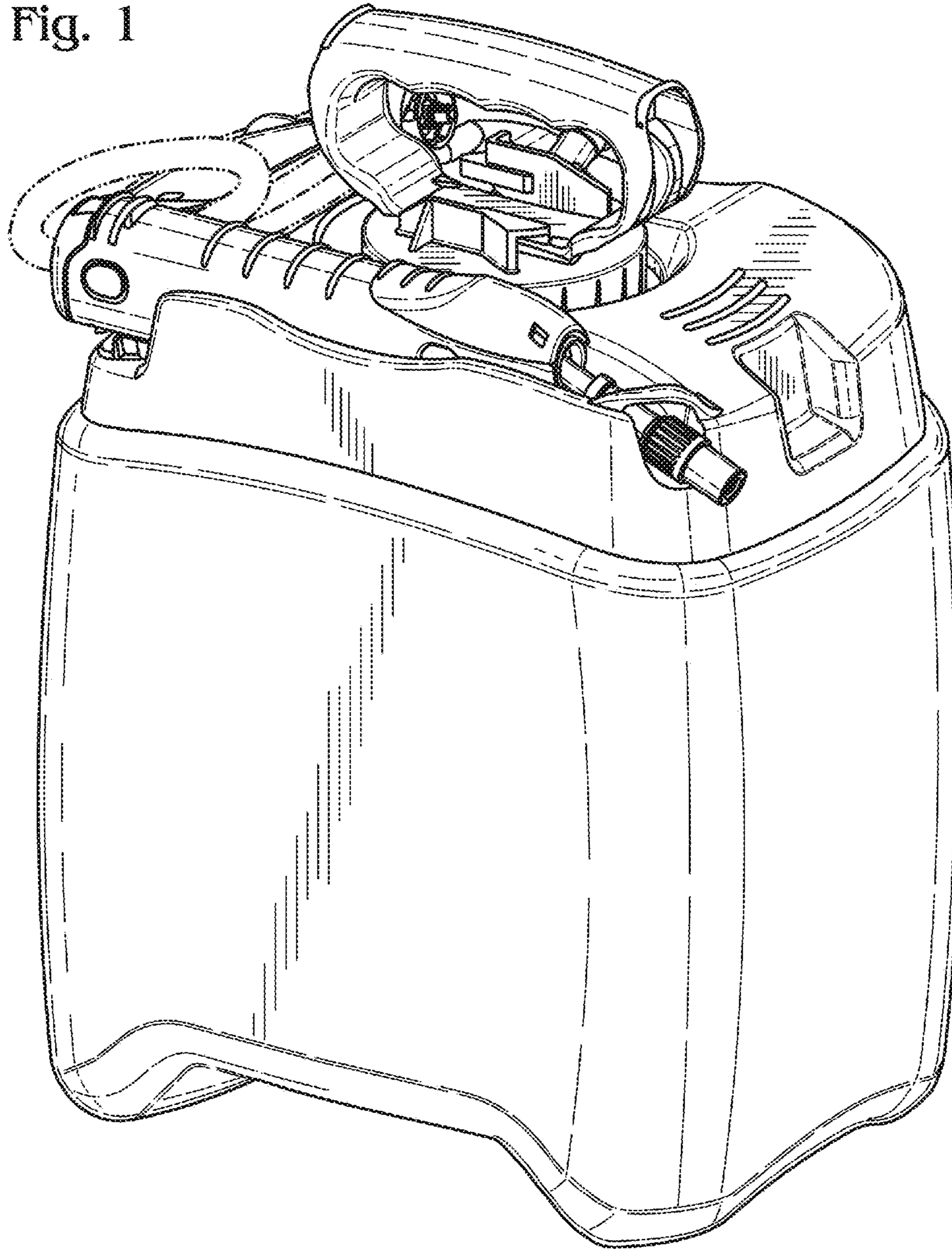


Fig. 2

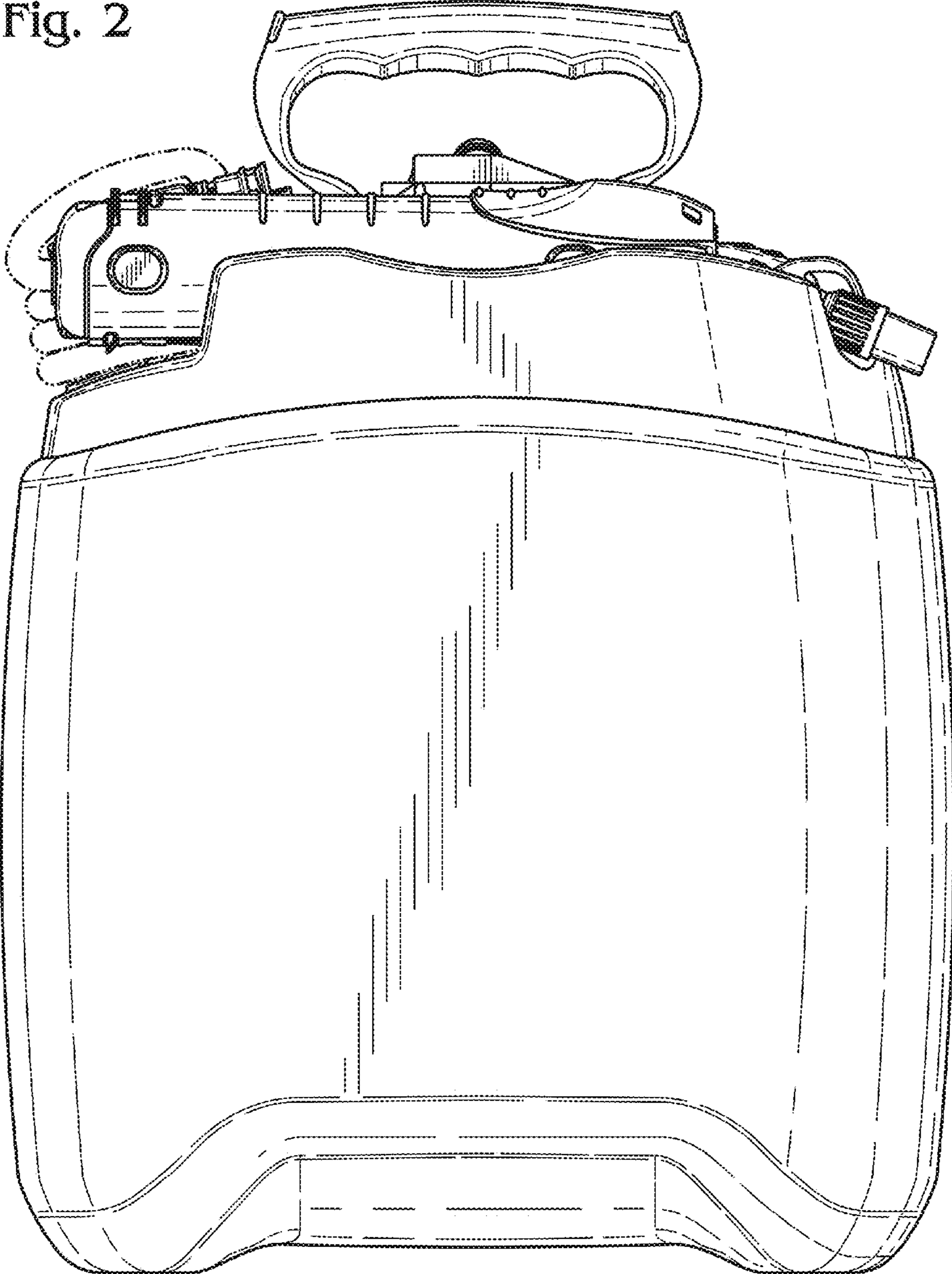


Fig. 3

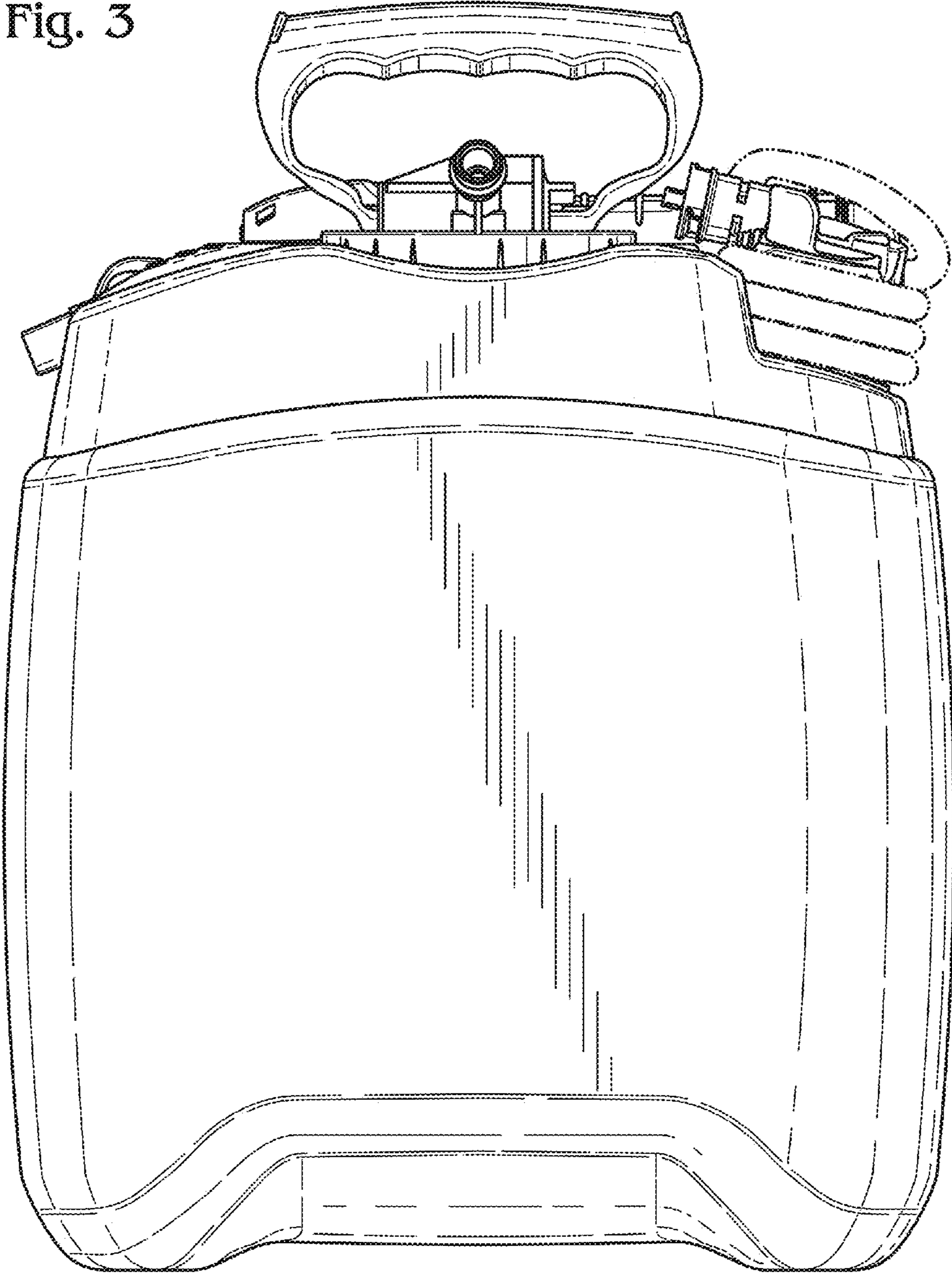


Fig. 4

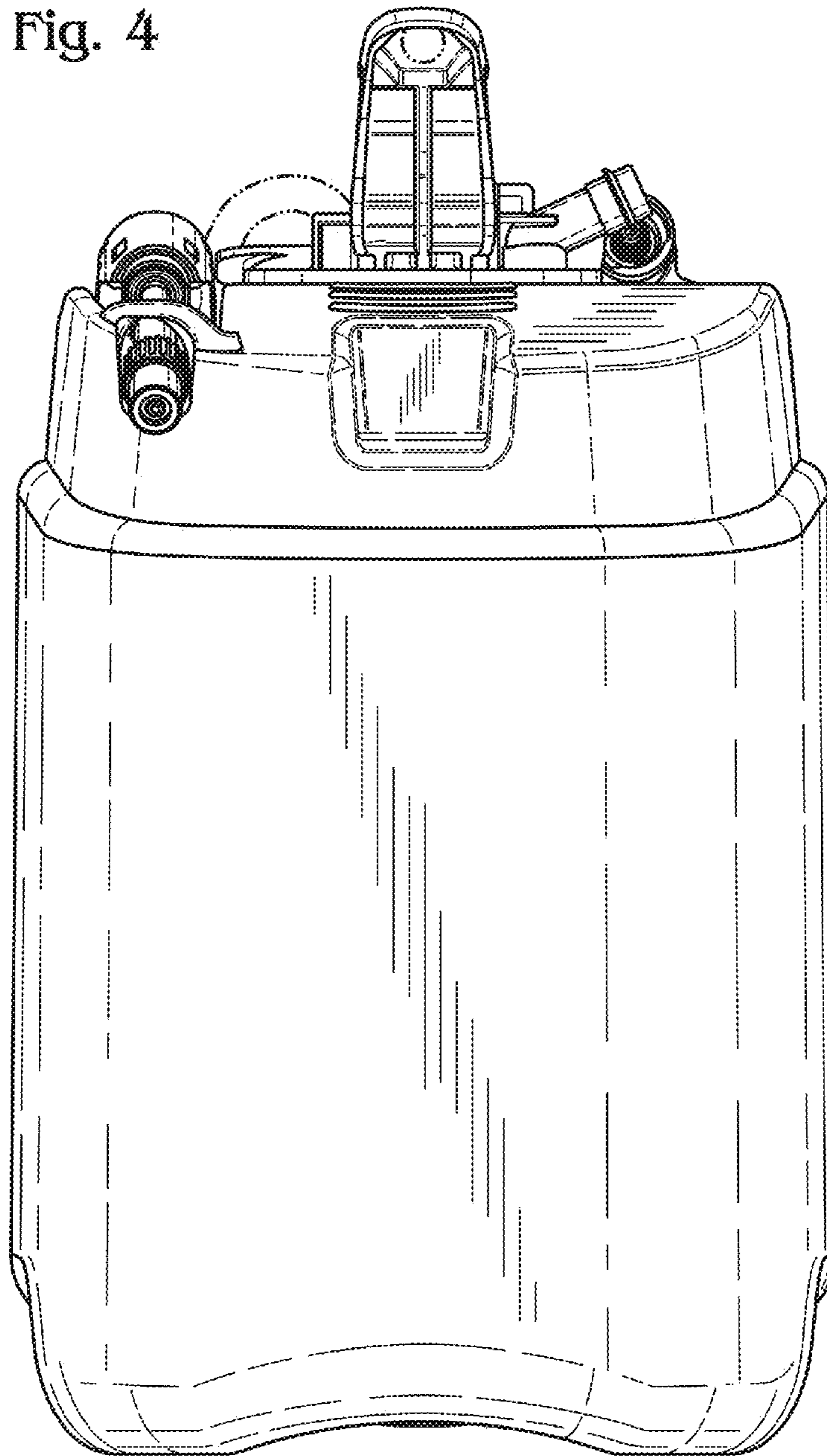


Fig. 5

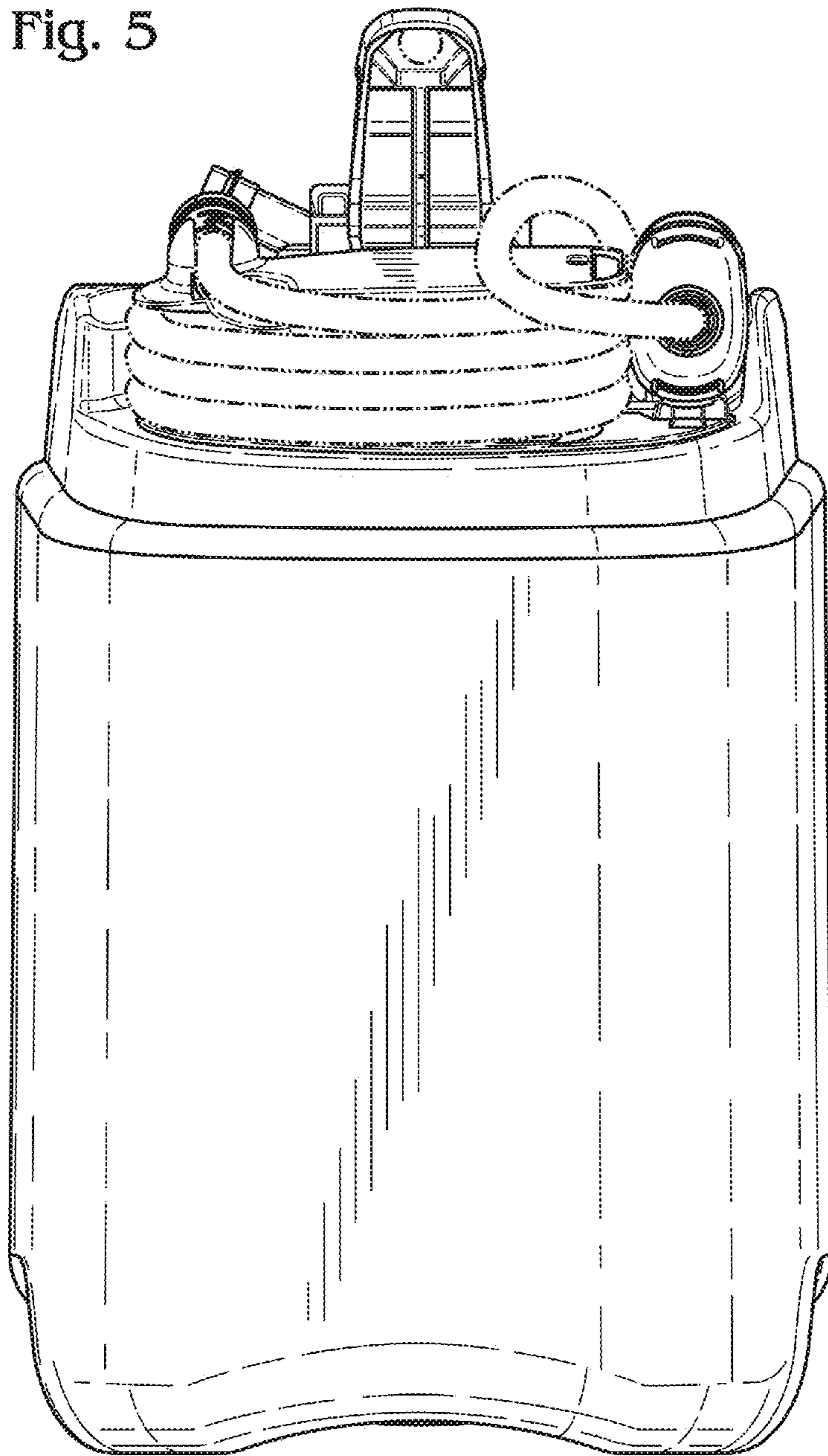


Fig. 6

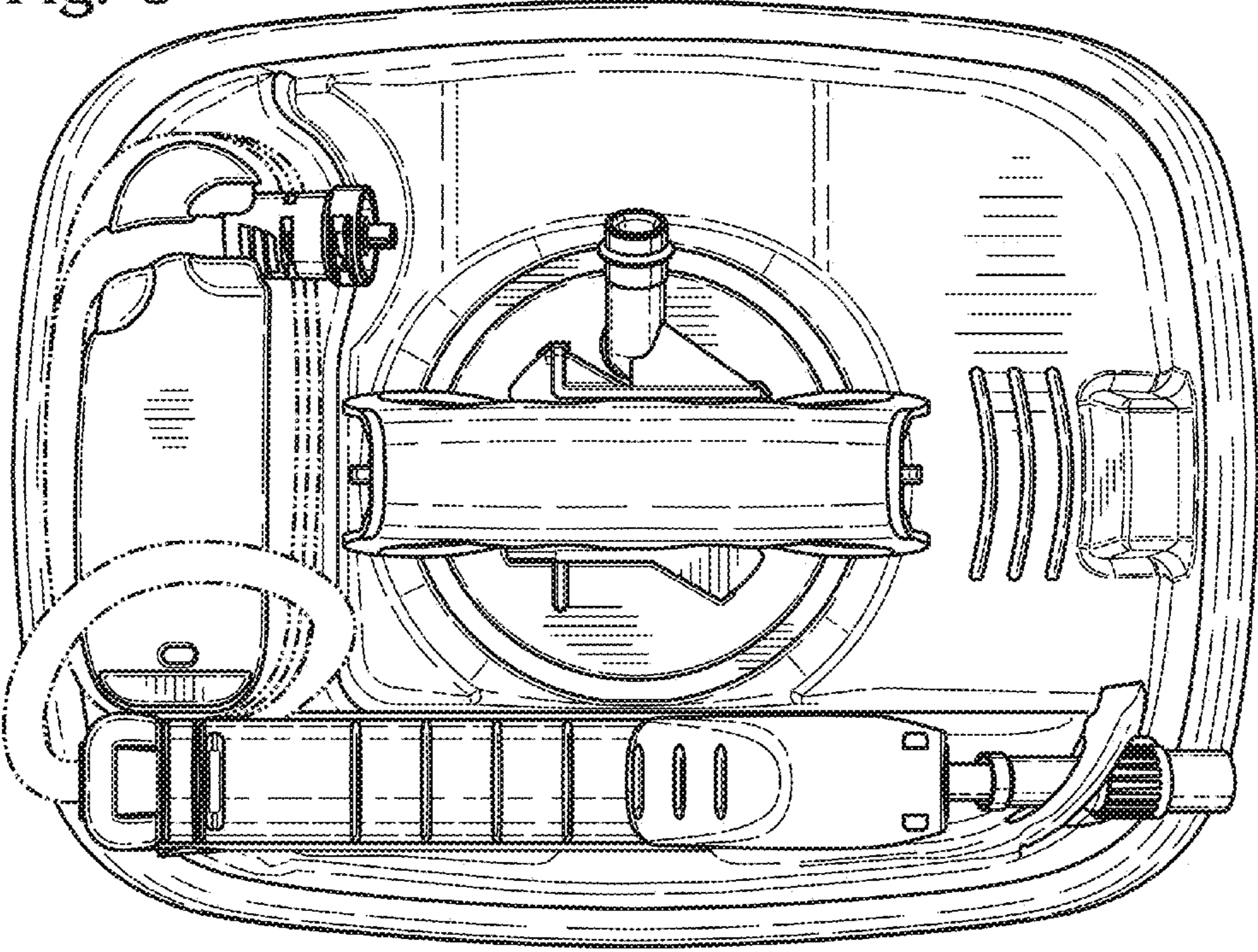


Fig. 7

