



US00D670787S

(12) **United States Design Patent**  
**Kang et al.**

(10) **Patent No.:** **US D670,787 S**

(45) **Date of Patent:** **\*\* Nov. 13, 2012**

(54) **SPRAYER**

(75) Inventors: **Donwoong Kang**, Camillus, NY (US);  
**Tyler T. Watson**, Skaneateles, NY (US)

(73) Assignee: **The Fountainhead Group, Inc.**, New York Mills, NY (US)

(\*\*) Term: **14 Years**

(21) Appl. No.: **29/411,639**

(22) Filed: **Jan. 24, 2012**

(51) **LOC (9) Cl.** ..... **23-01**

(52) **U.S. Cl.** ..... **D23/225**

(58) **Field of Classification Search** ..... D23/213,  
D23/225, 202; 239/302, 308, 337, 32-333,  
239/DIG. 14; 222/465.1, 383.1, 383.3

See application file for complete search history.

(56) **References Cited**

U.S. PATENT DOCUMENTS

D239,172 S \* 3/1976 Berthoud ..... D23/202  
4,192,464 A \* 3/1980 Chow ..... 239/373

D347,047 S \* 5/1994 Wood ..... D23/225  
D649,624 S \* 11/2011 Hudson et al. .... D23/225

\* cited by examiner

*Primary Examiner* — Robin V Webster

(74) *Attorney, Agent, or Firm* — George R. McGuire; Bond Schoeneck & King

(57) **CLAIM**

The ornamental design for sprayer, as shown and described.

**DESCRIPTION**

FIG. 1 is a perspective view of a new and ornamental design for a sprayer, the wand portion being shown in phantom for environmental purposes only and forming no part of the claimed design;

FIG. 2 is a front elevation view thereof;

FIG. 3 is a rear elevation view thereof;

FIG. 4 is a first side elevation view thereof;

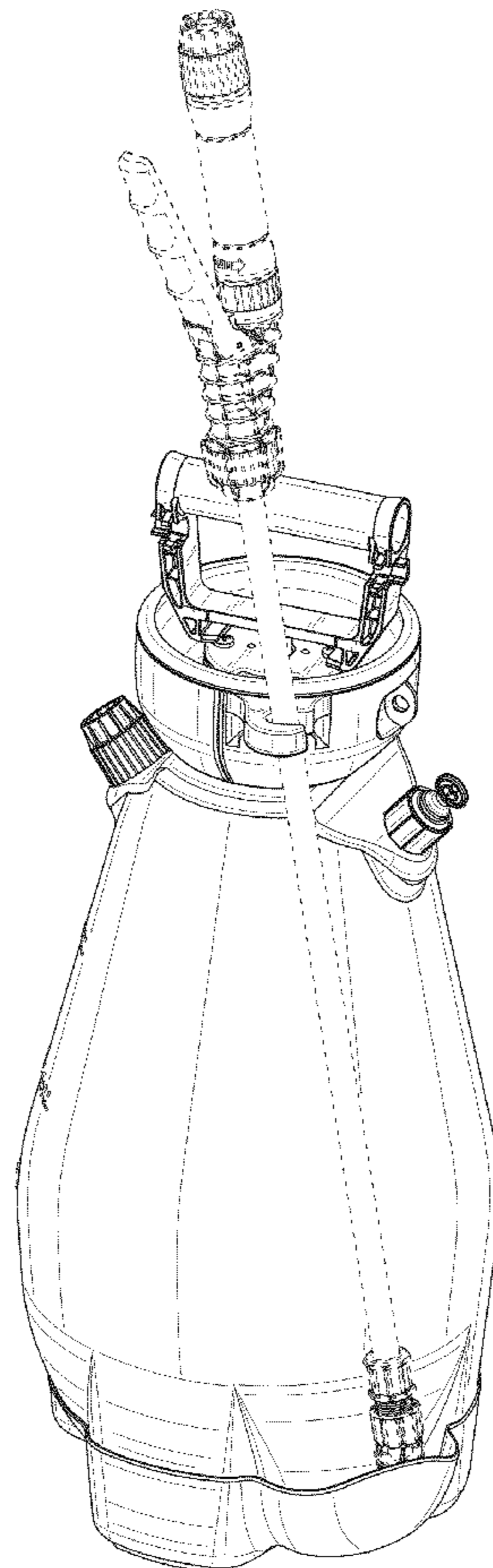
FIG. 5 is second side elevation view thereof;

FIG. 6 is a top plan view thereof; and,

FIG. 7 is a bottom plan view thereof.

The broken line showing of the measurement indications in FIGS. 1-4 and 6 is included for the purpose of illustrating and forms no part of the claimed design.

**1 Claim, 6 Drawing Sheets**



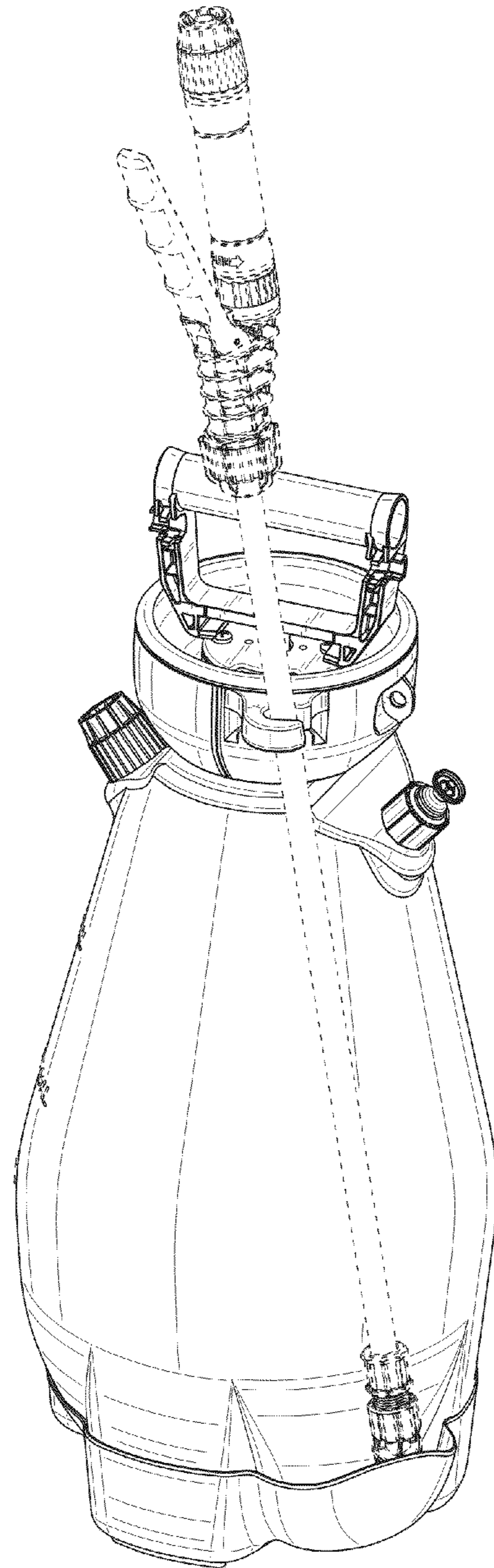


FIG. 1

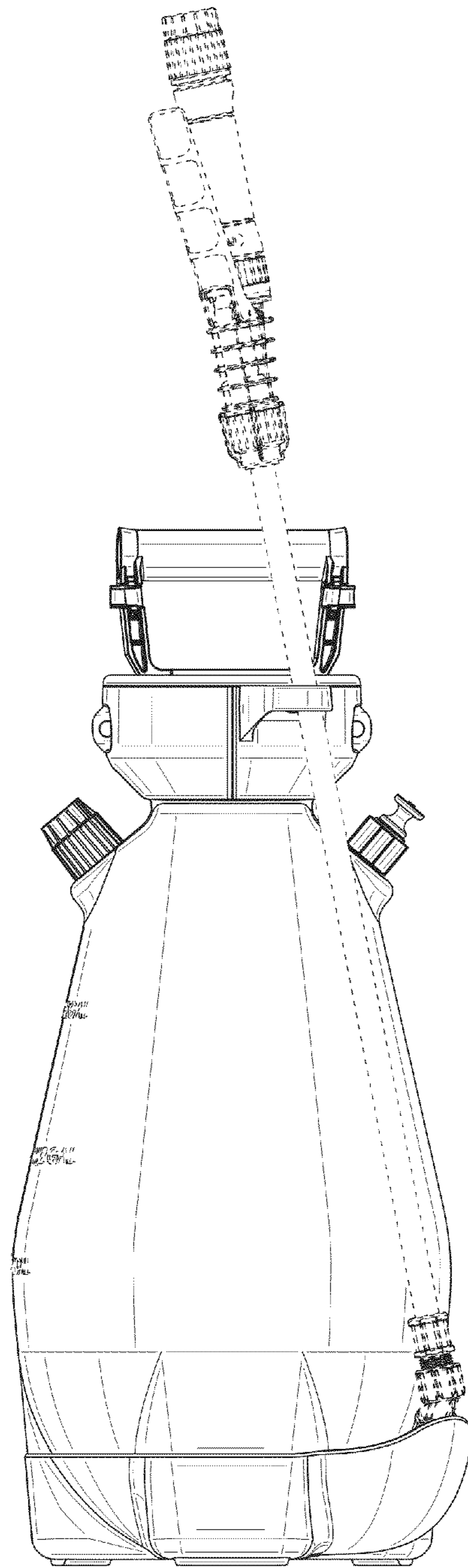


FIG. 2

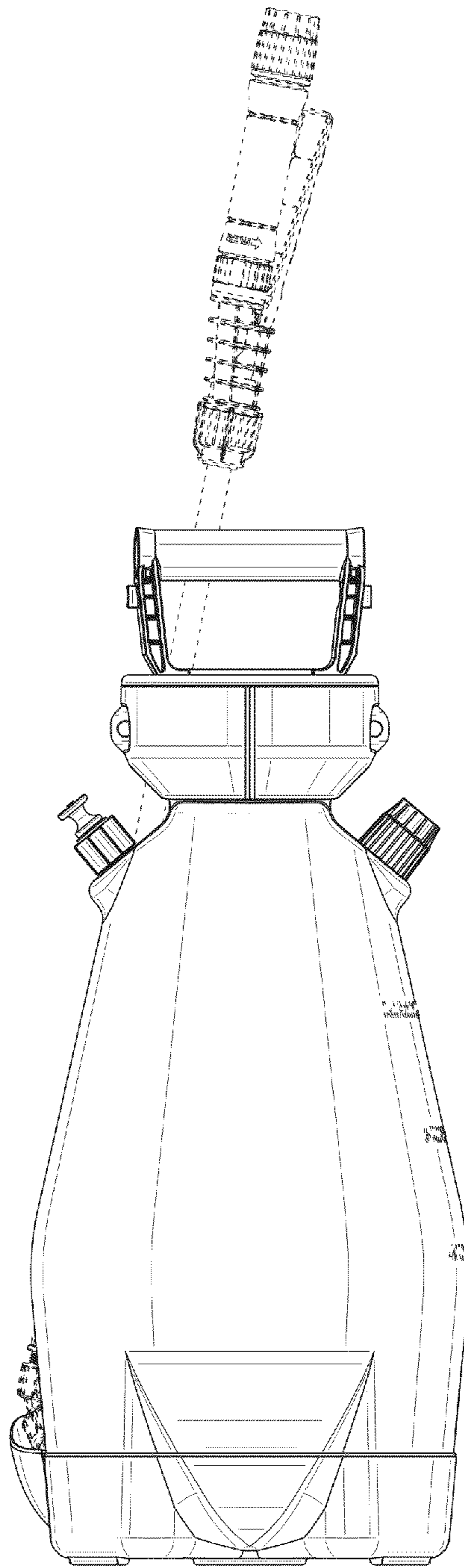


FIG. 3

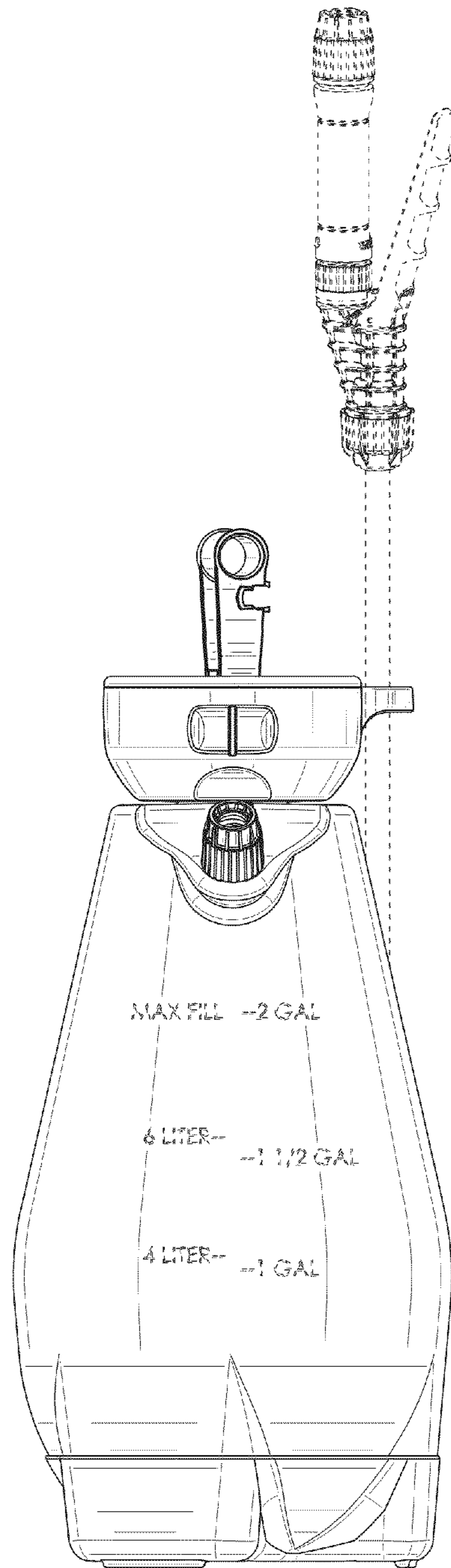


FIG. 4



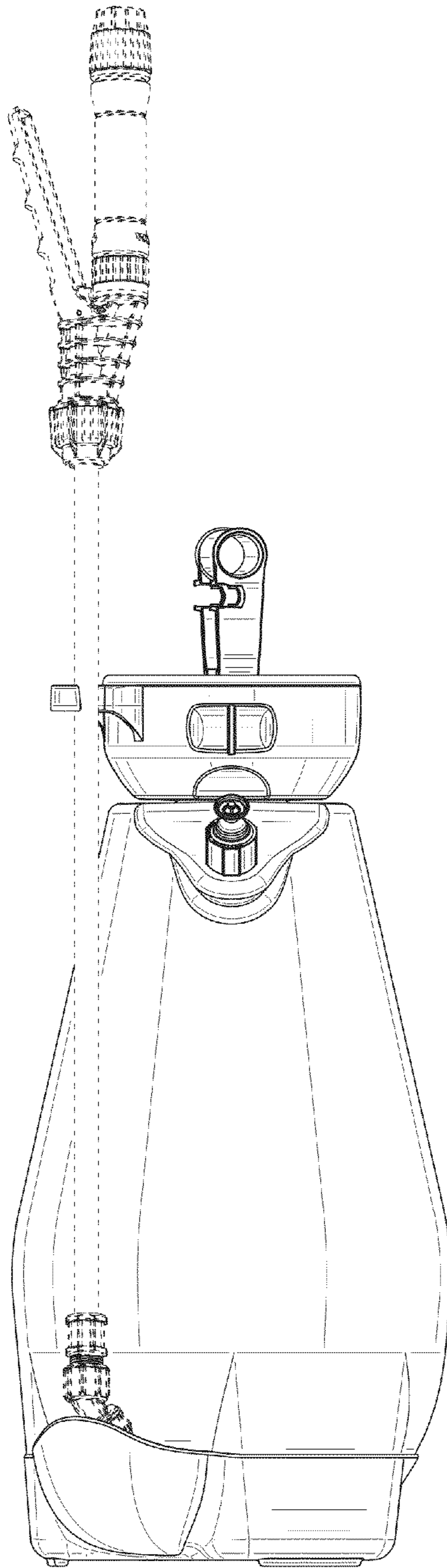


FIG. 5

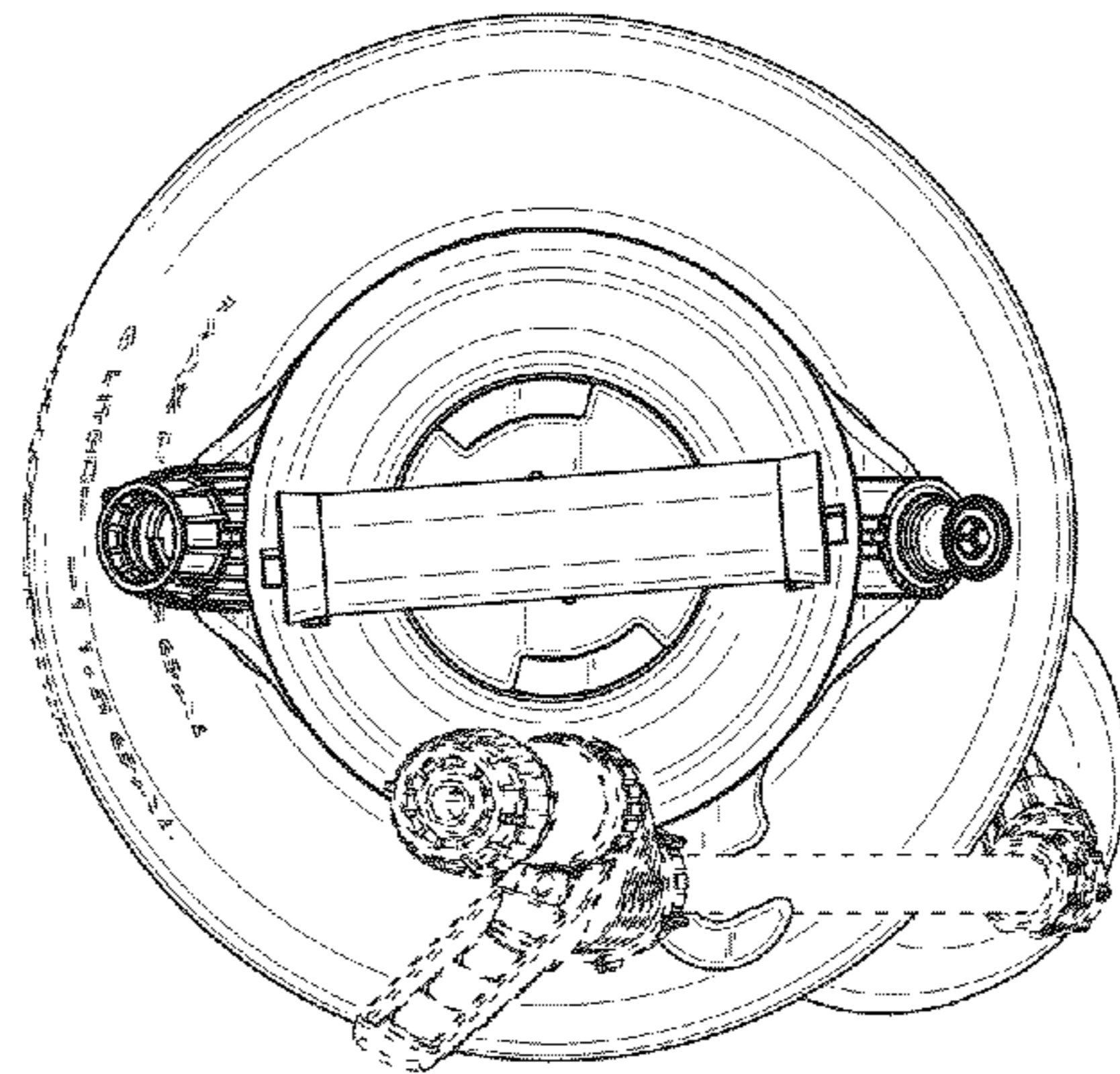


FIG. 6

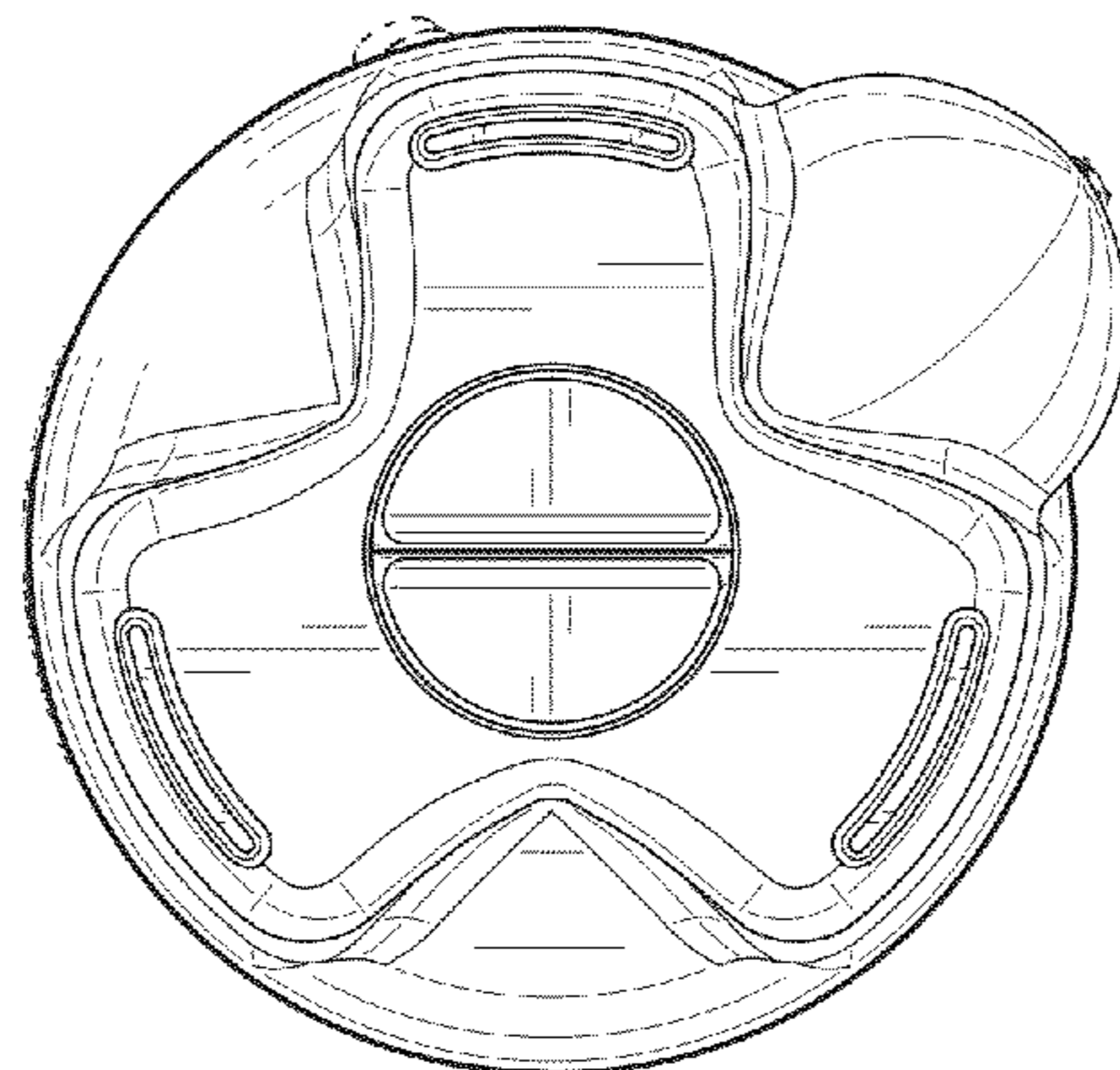


FIG. 7