



US00D670786S

(12) **United States Design Patent**
Mauchle et al.

(10) **Patent No.:** **US D670,786 S**

(45) **Date of Patent:** **** Nov. 13, 2012**

(54) **INJECTOR FOR SPRAY COATING DEVICE**

(75) Inventors: **Felix Mauchle**, Abtwil (CH); **Marco Sanwald**, Abtwil (CH)

(73) Assignee: **Illinois Tool Works Inc.**, Glenview, IL (US)

(**) Term: **14 Years**

(21) Appl. No.: **29/382,356**

(22) Filed: **Jan. 3, 2011**

(30) **Foreign Application Priority Data**

Jul. 1, 2010 (EP) 001222723

(51) **LOC (9) Cl.** **23-01**

(52) **U.S. Cl.** **D23/213; D23/223**

(58) **Field of Classification Search** D23/213,
D23/223, 226; 118/696; 239/690, 290; 361/227,
361/228

See application file for complete search history.

(56) **References Cited**

U.S. PATENT DOCUMENTS

675,840	A *	6/1901	Phillips	239/417
4,196,465	A *	4/1980	Buschor	361/228
4,323,947	A *	4/1982	Huber	361/228
5,678,770	A *	10/1997	Shah	239/690
5,779,162	A *	7/1998	Noakes et al.	239/690.1
6,467,705	B2 *	10/2002	Robidoux	239/697
D512,122	S *	11/2005	Yorns et al.	D23/223
D513,058	S *	12/2005	Hayduk et al.	D23/226
D608,856	S *	1/2010	Dammkoehler	D23/223
7,815,132	B2 *	10/2010	Baltz	239/690

OTHER PUBLICATIONS

Operating Instructions and spare parts list for OptiFlow powder injector for MagicCenter (IG05 type).

* cited by examiner

Primary Examiner — Robin V Webster

(74) *Attorney, Agent, or Firm* — Lowe Hauptman Ham & Berner LLP

(57) **CLAIM**

The ornamental design for an injector for spray coating device, as shown and described.

DESCRIPTION

FIG. 1 is a front view of the injector, wherein a rear view of the injector is a mirror image of the front view.

FIG. 2 is a bottom view of the injector of FIG. 1.

FIG. 3 is a further bottom view of the injector of FIG. 1, as seen in the direction of arrow A in FIG. 1.

FIG. 4 is a left view of the injector of FIG. 1.

FIG. 5 is a top view of the injector of FIG. 1.

FIG. 6 is a right view of the injector of FIG. 1.

FIG. 7 is a rear-top-left perspective view of the injector of FIG. 1.

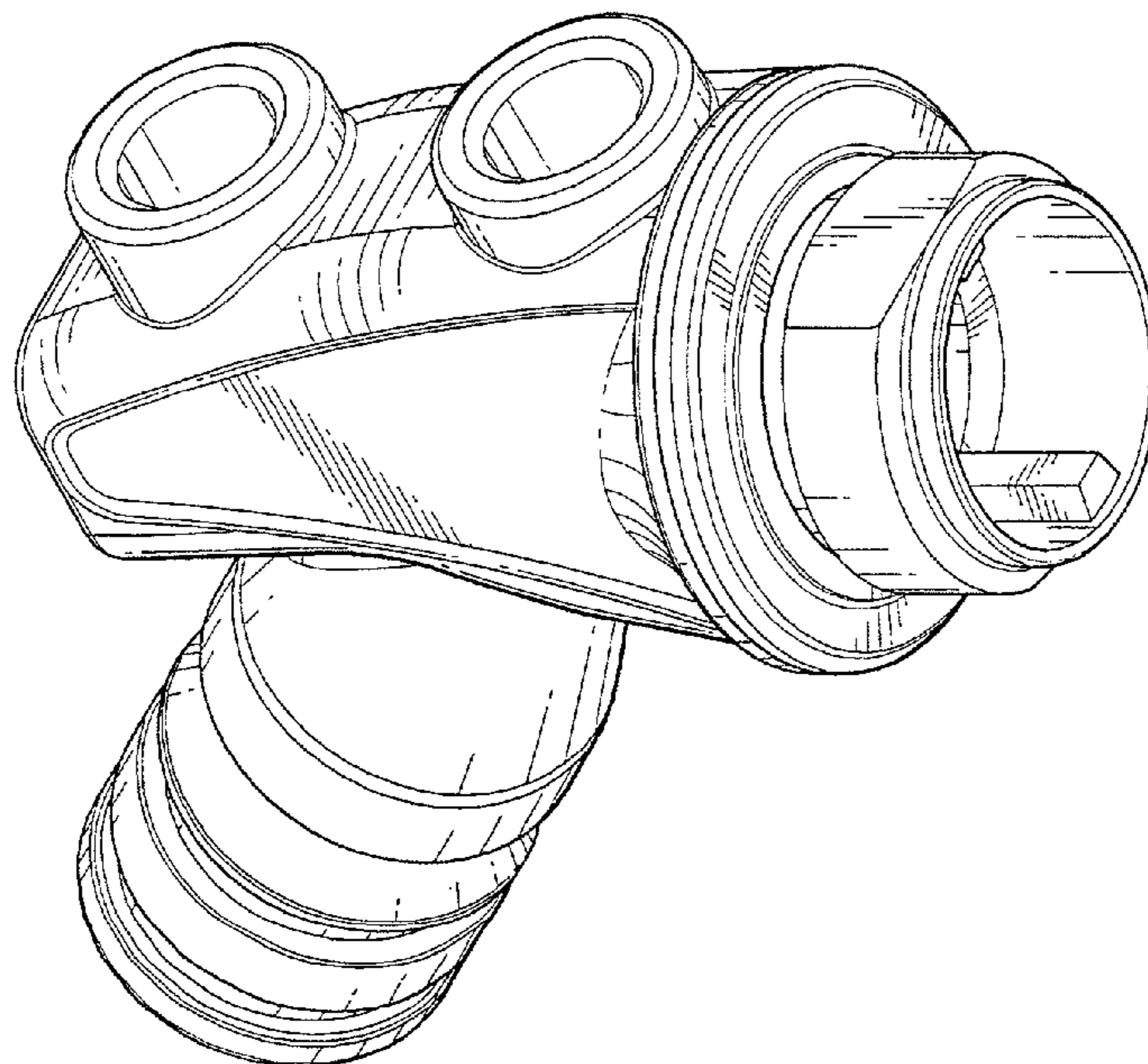
FIG. 8 is a front-top-right perspective view of the injector of FIG. 1.

FIG. 9 is a right, elevational, perspective view of the injector of FIG. 1; and,

FIG. 10 is a front view similar to FIG. 1, with a partial cross-section, showing the injector in an assembled state in which the injector is connected to two hoses on the top and a nozzle at the front. The hoses and the nozzle are shown in broken lines and form no part of the first embodiment of the design.

The broken lines in the drawings form no part of the claimed design.

1 Claim, 10 Drawing Sheets



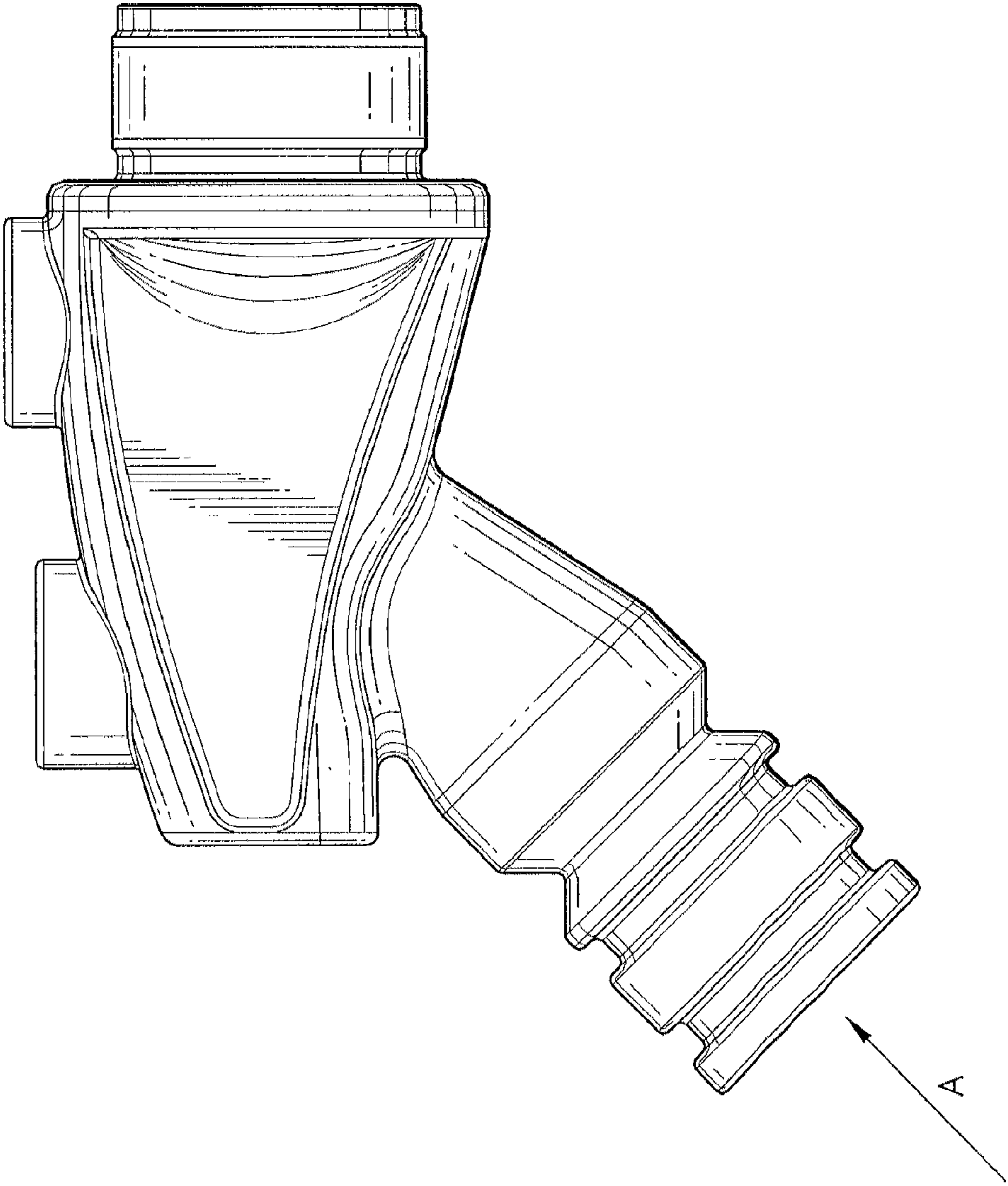


Fig. 1

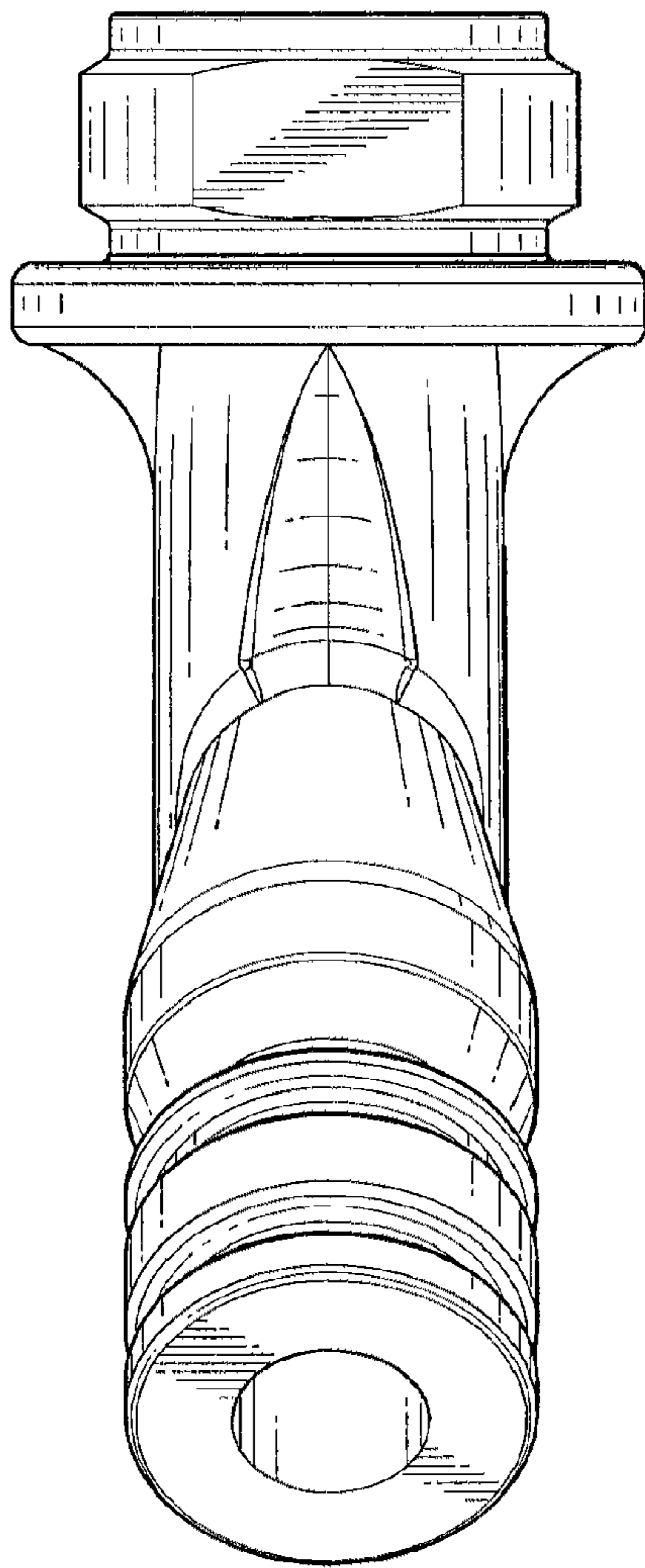


Fig. 2

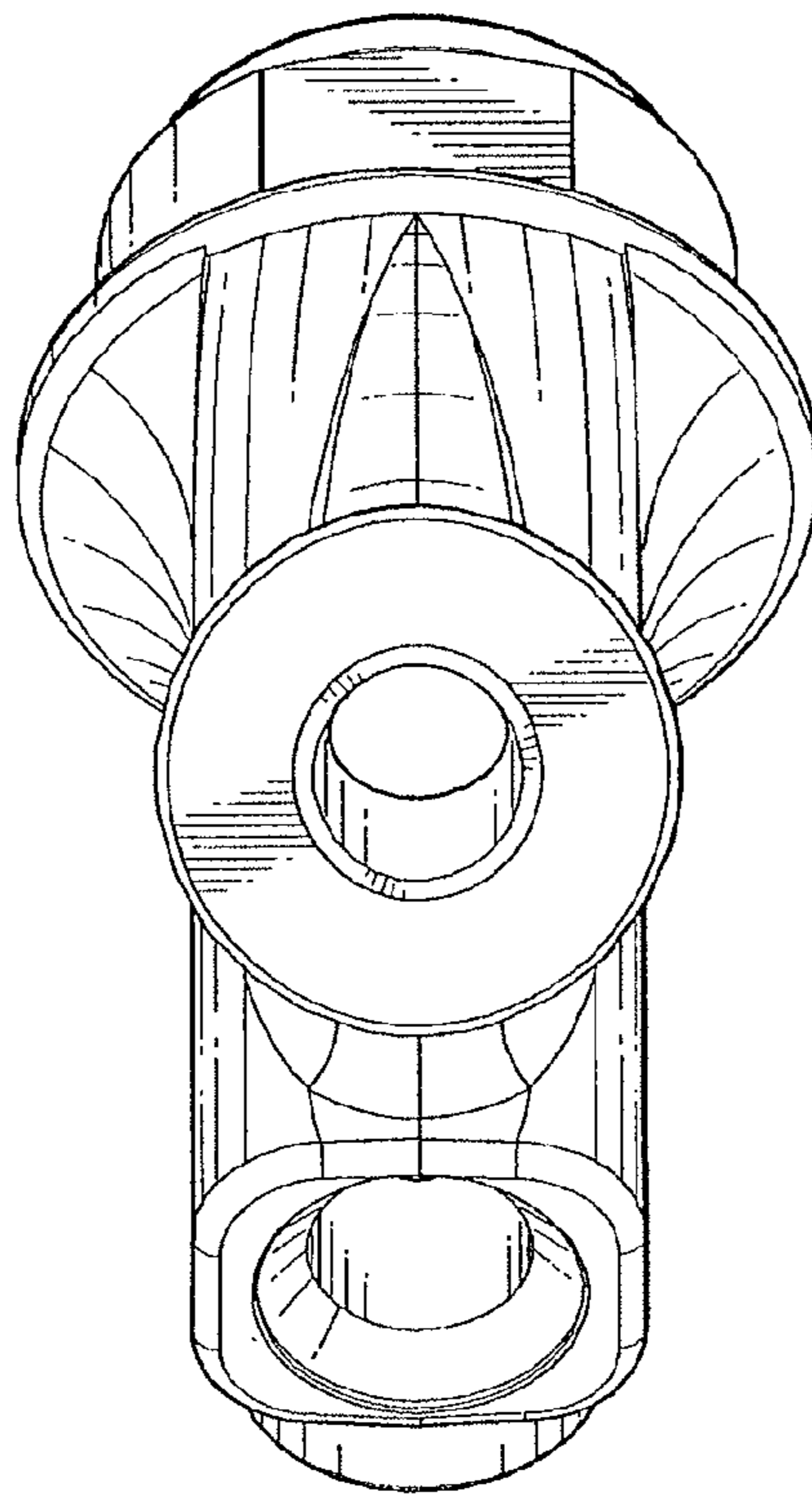


Fig. 3

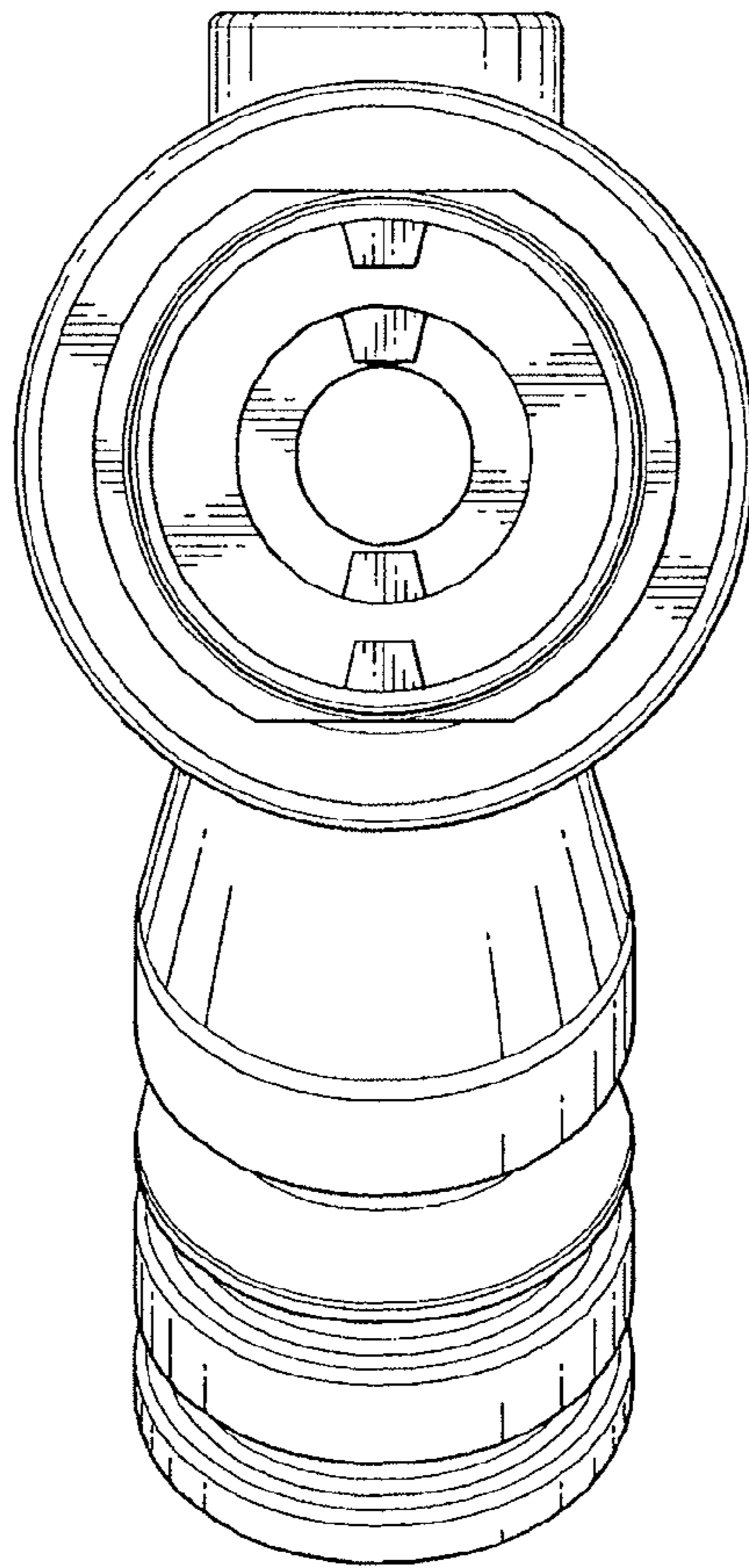


Fig. 4

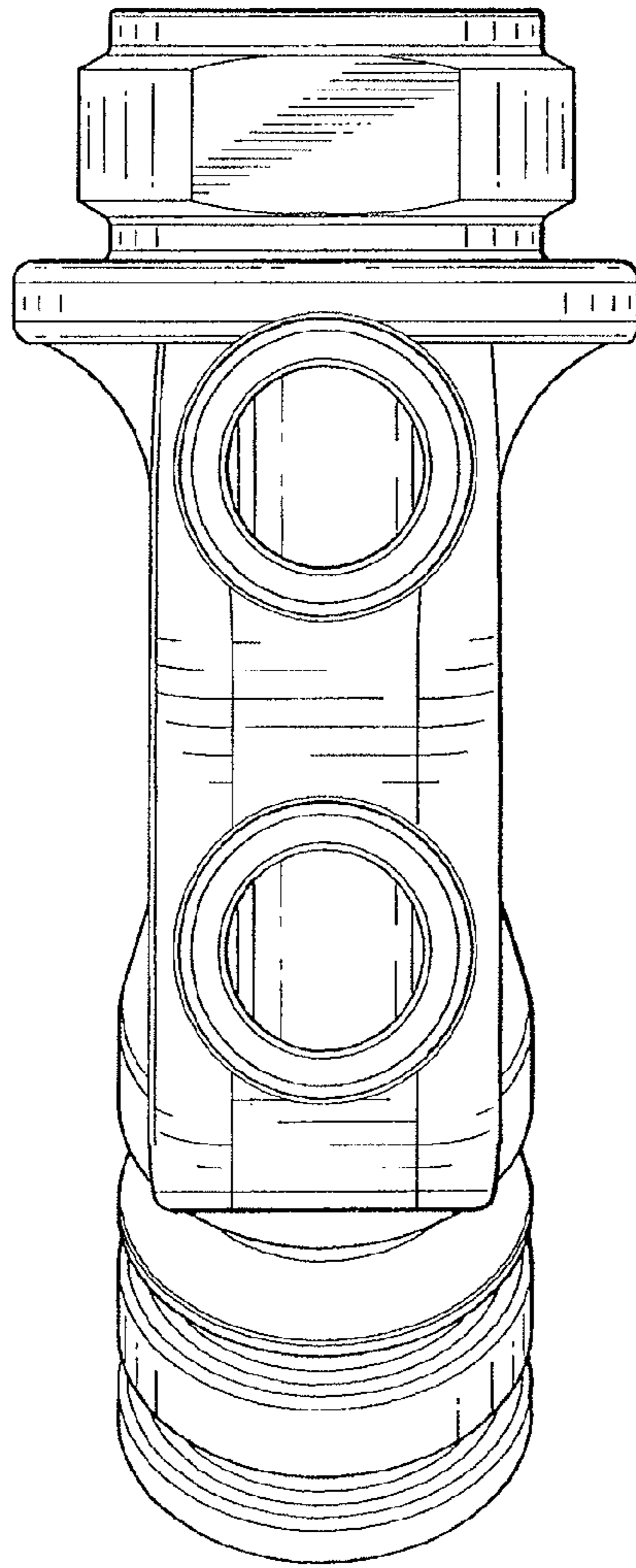


Fig. 5

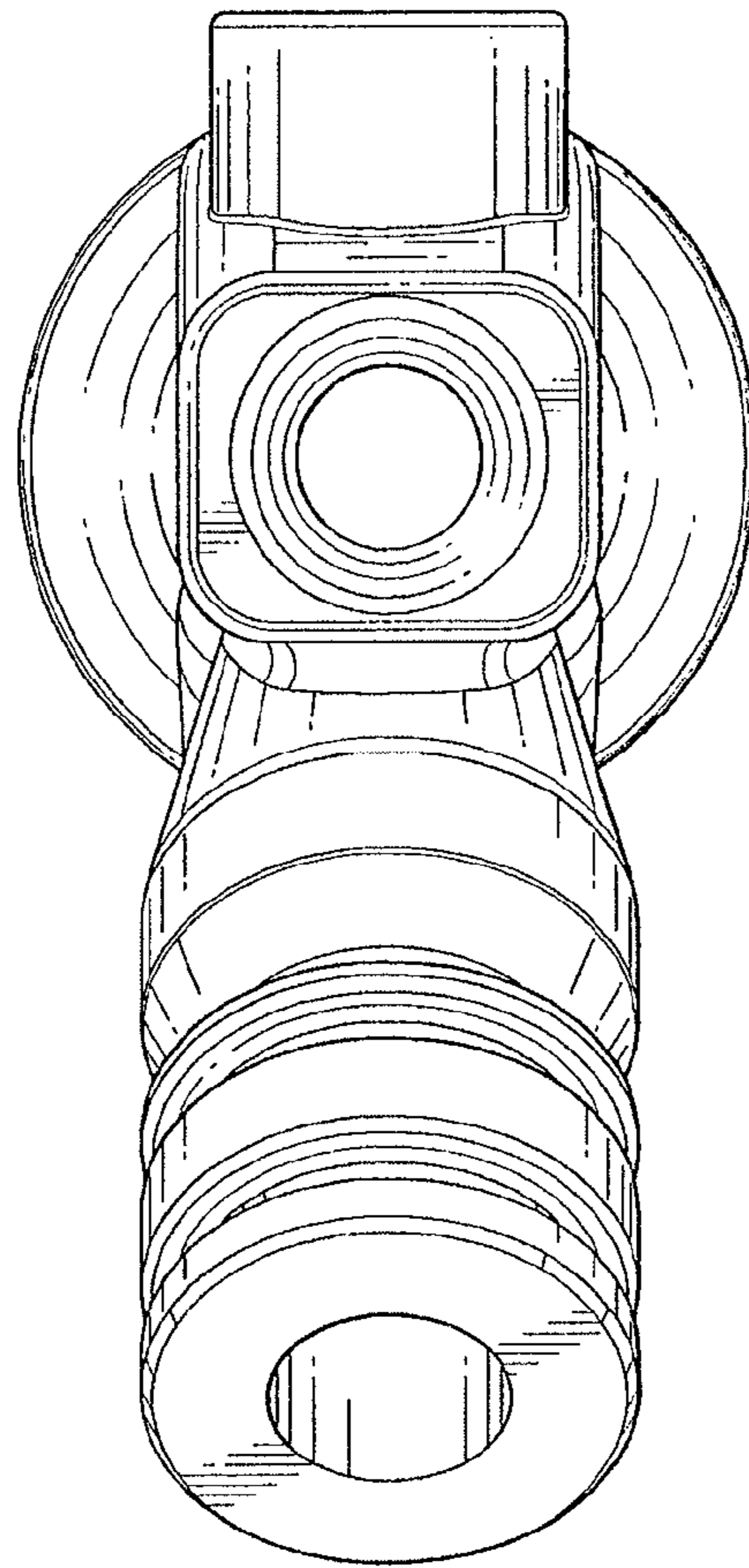


Fig. 6

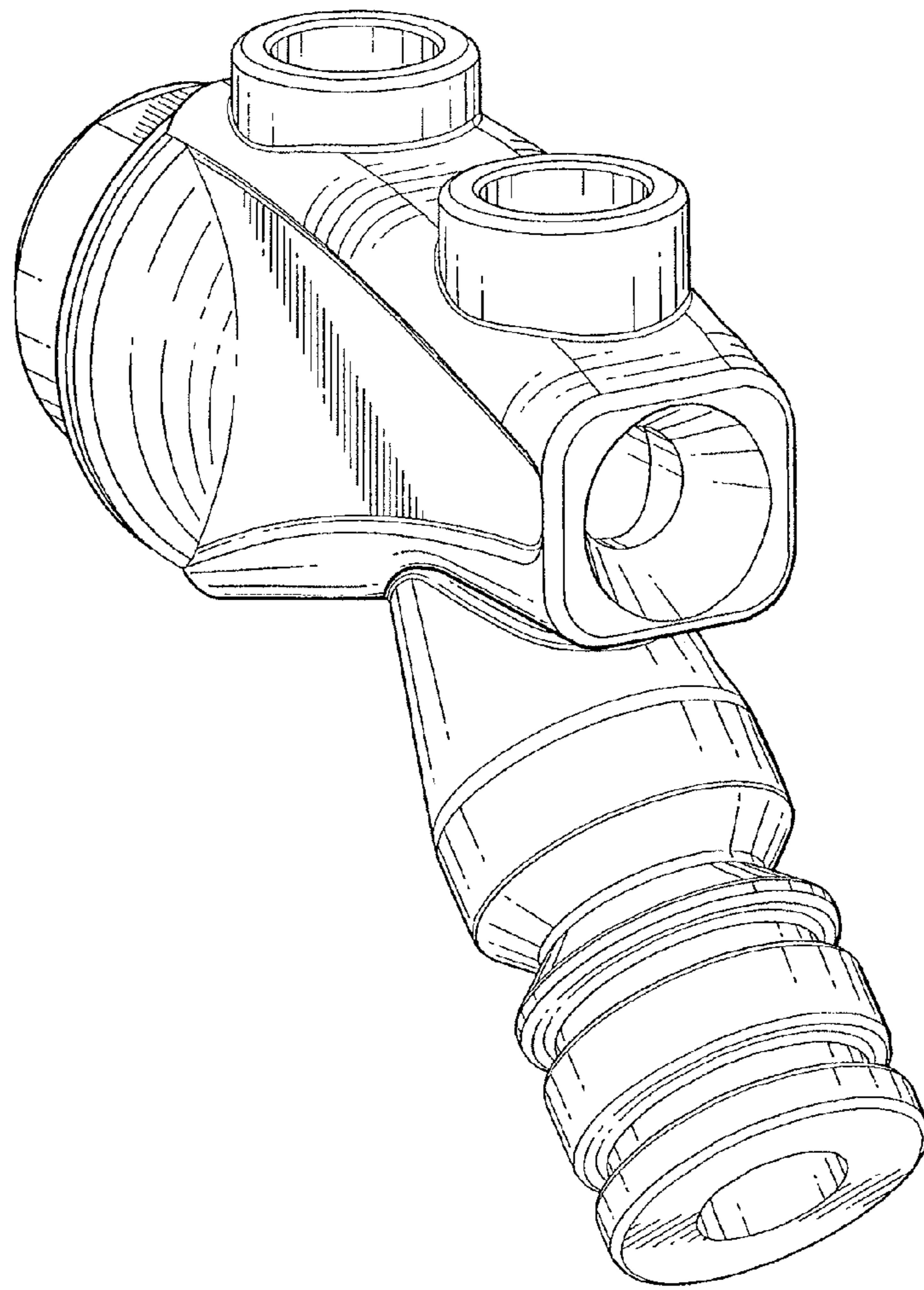


Fig. 7

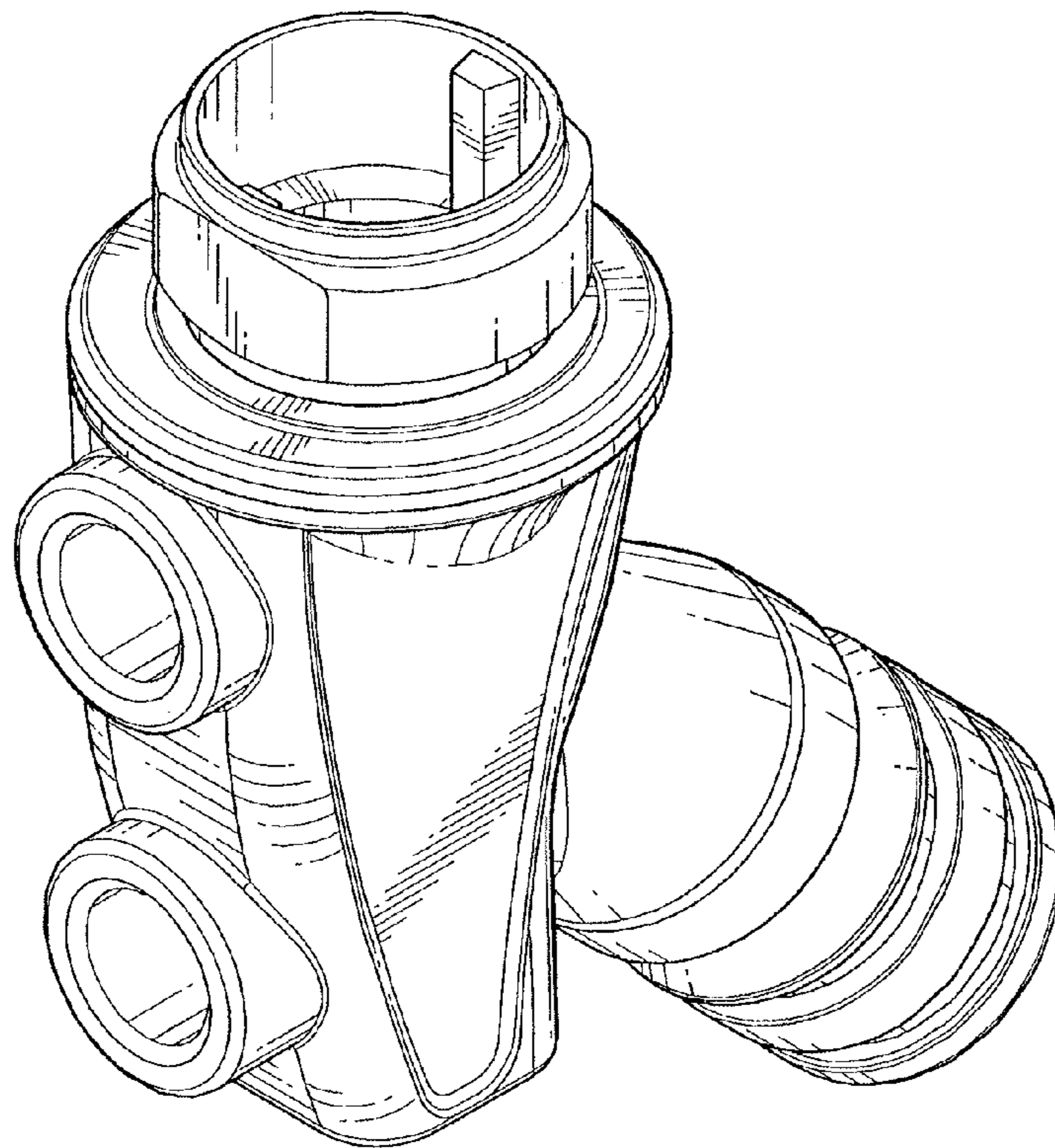


Fig. 8

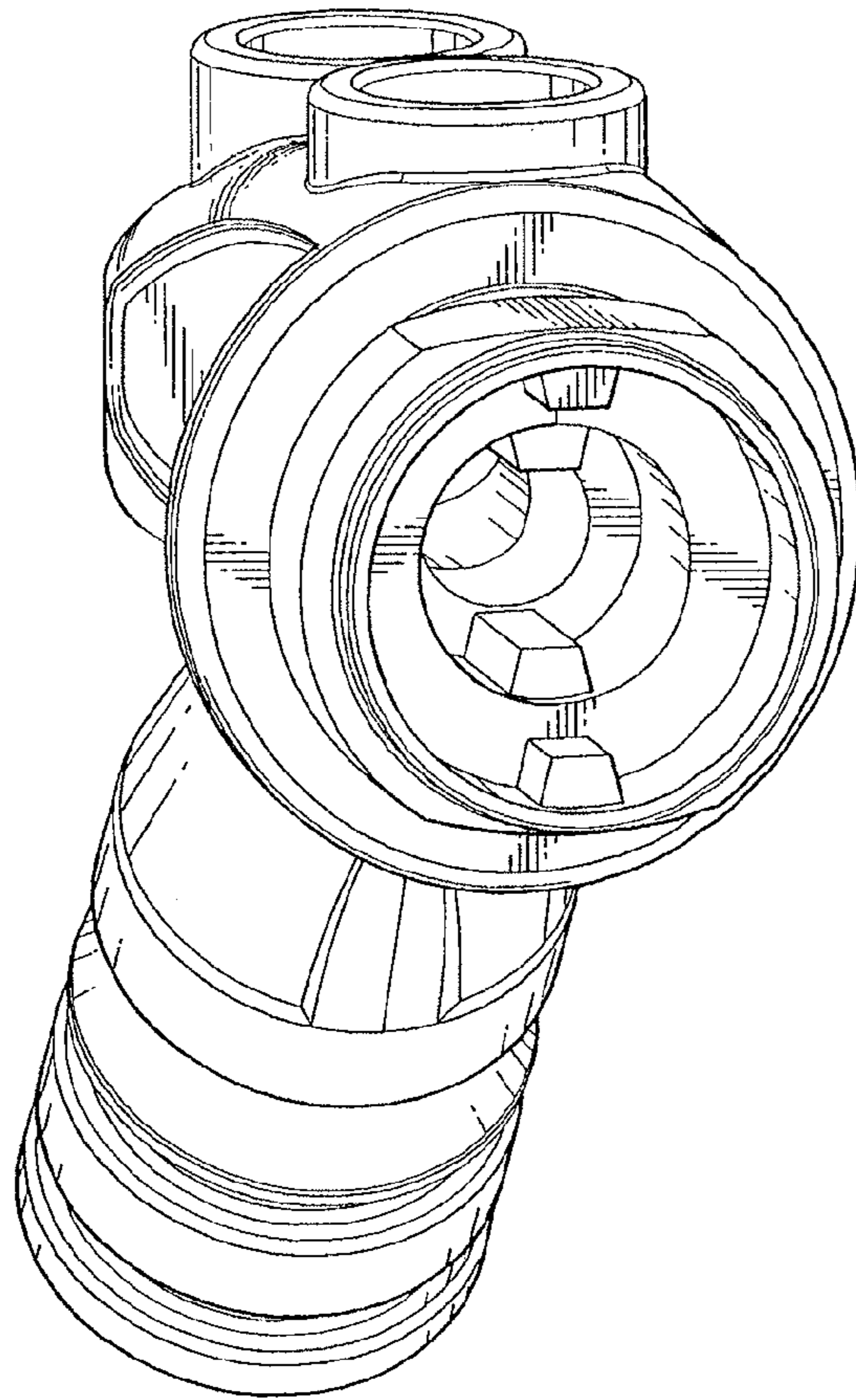


Fig. 9

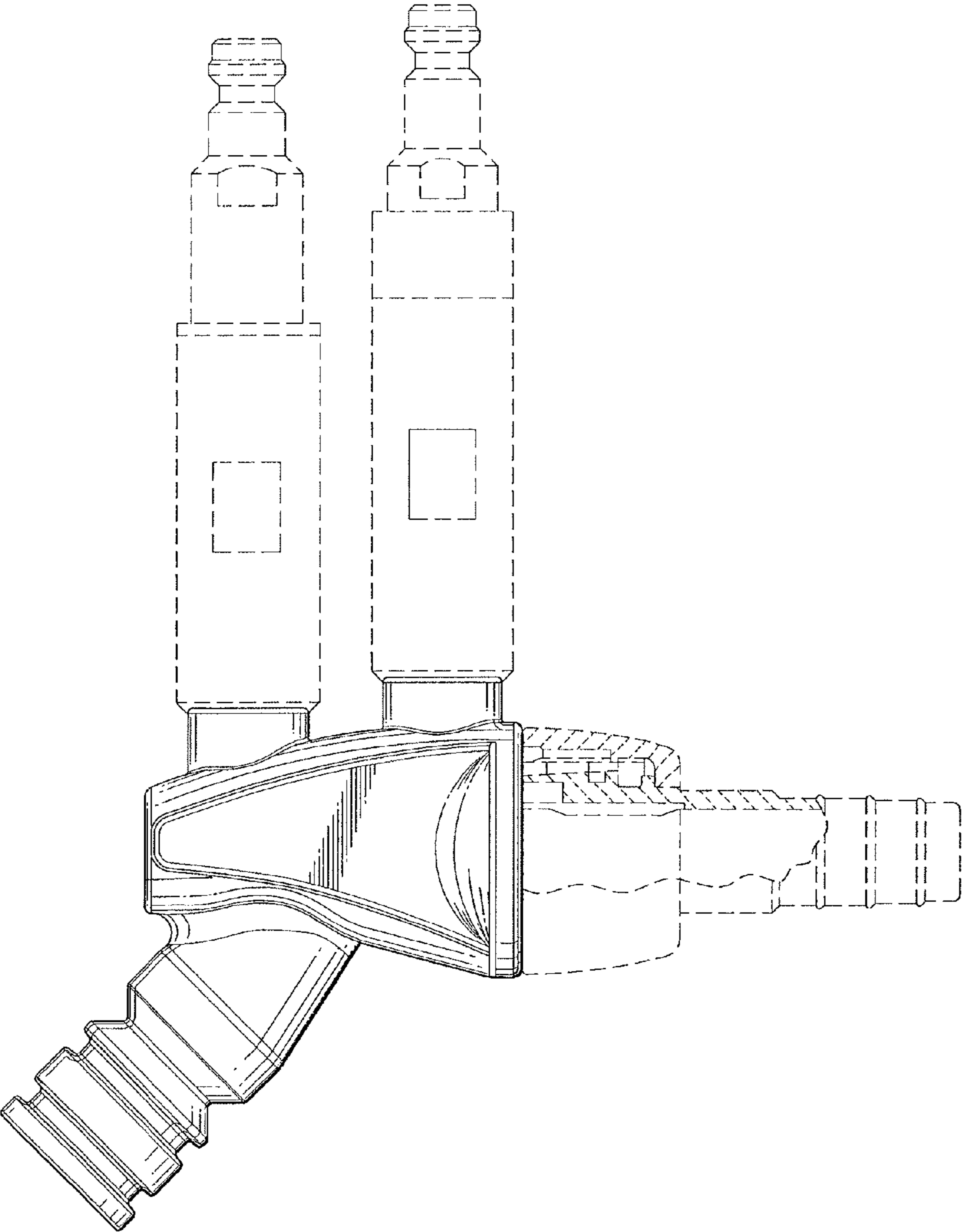


Fig. 10