



US00D670785S

(12) **United States Design Patent**  
**Fitzpatrick et al.**

(10) **Patent No.:** **US D670,785 S**

(45) **Date of Patent:** **\*\* Nov. 13, 2012**

(54) **RAIL STOP ATTACHMENT**

(75) Inventors: **Richard Fitzpatrick**, Longmont, CO (US); **Michael T. Mayberry**, Denver, CO (US); **Jeremy Kerbs**, Erie, CO (US); **Drake Clark**, Erie, CO (US); **Nicholas James Booras**, Arvada, CO (US)

(73) Assignee: **Magpul Industries Corporation**, Erie, CO (US)

(\*\*) Term: **14 Years**

(21) Appl. No.: **29/400,489**

(22) Filed: **Aug. 29, 2011**

(51) **LOC (9) Cl.** ..... **22-01**

(52) **U.S. Cl.** ..... **D22/108**

(58) **Field of Classification Search** ..... D22/100,  
D22/108-110, 199; 42/11, 72, 90, 85, 71.01,  
42/75.02, 106, 113-114, 124-125, 127-128;  
248/201, 205.1

See application file for complete search history.

(56) **References Cited**

U.S. PATENT DOCUMENTS

2,933,843	A *	4/1960	McFeeter	.....	42/85
3,332,162	A *	7/1967	Martwick et al.	.....	42/105
6,671,991	B1 *	1/2004	Danielson	.....	42/114
7,823,316	B2 *	11/2010	Storch et al.	.....	42/90
D636,836	S *	4/2011	Fitzpatrick et al.	.....	D22/108
2011/0107643	A1 *	5/2011	Fitzpatrick et al.	.....	42/72

\* cited by examiner

*Primary Examiner* — Michael A Pratt

(74) *Attorney, Agent, or Firm* — Swanson & Bratschun, L.L.C.

(57) **CLAIM**

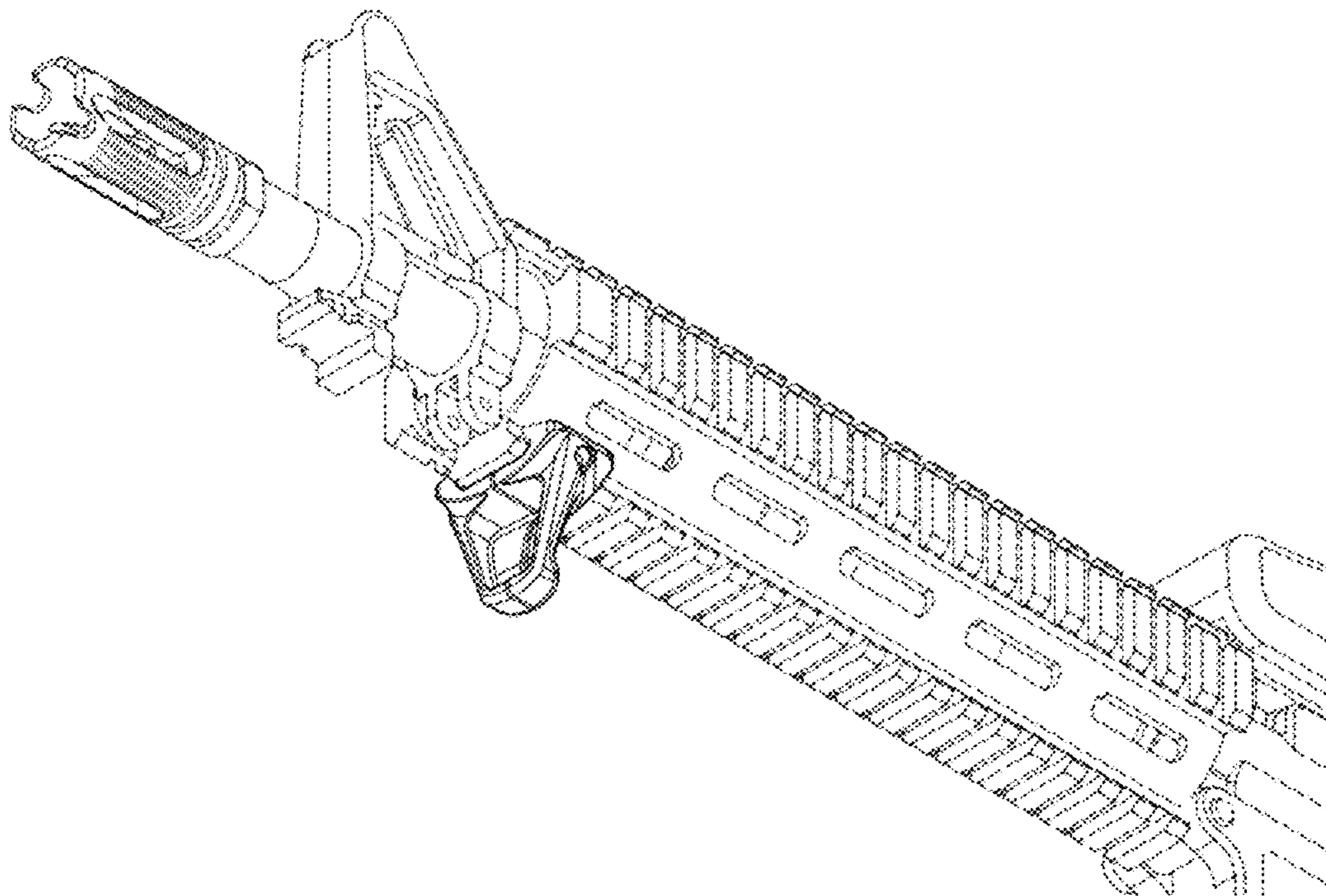
The ornamental design for a rail stop attachment, as shown and described.

**DESCRIPTION**

FIG. 1 is a left, rear, bottom perspective view of a rail stop attachment attached to a firearm showing our new design; FIG. 2 is a left, rear, bottom perspective view of the rail stop attachment of FIG. 1 with the firearm omitted; FIG. 3 is a right, front, top perspective view of the rail stop attachment of FIG. 1 with the firearm omitted; FIG. 4 is a front elevation view of the rail stop attachment of FIG. 1; FIG. 5 is a rear elevation view of the rail stop attachment of FIG. 1; FIG. 6 is a bottom plan view of the rail stop attachment of FIG. 1; FIG. 7 is a top plan view of the rail stop attachment of FIG. 1; FIG. 8 is a right side elevation view of the rail stop attachment of FIG. 1; and, FIG. 9 is a left side elevation view of the rail stop attachment of FIG. 1.

The broken lines showing portions of the design in all figures is included for the purpose of illustrating environment and unclaimed features and forms not part of the claimed design.

**1 Claim, 5 Drawing Sheets**



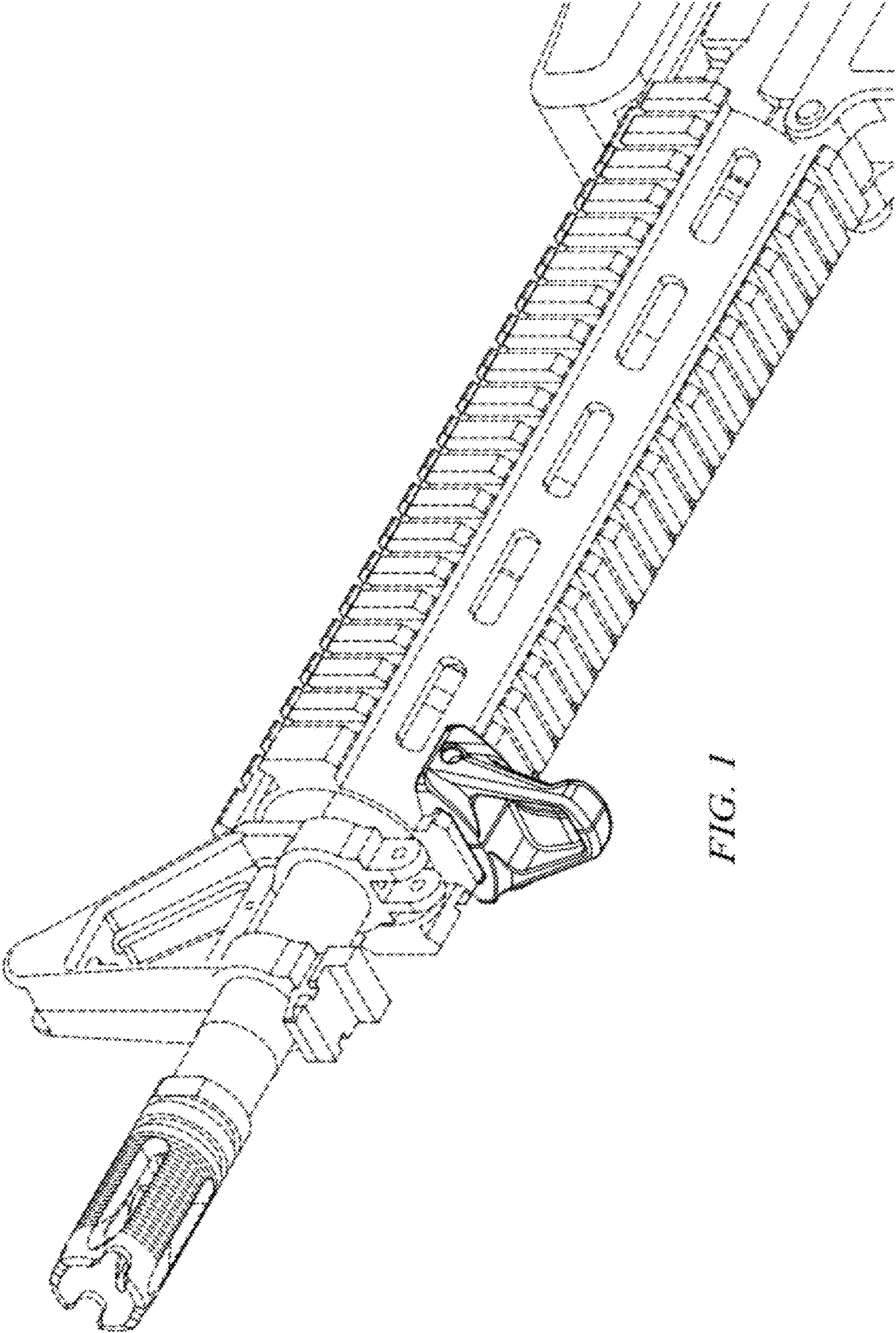


FIG. 1

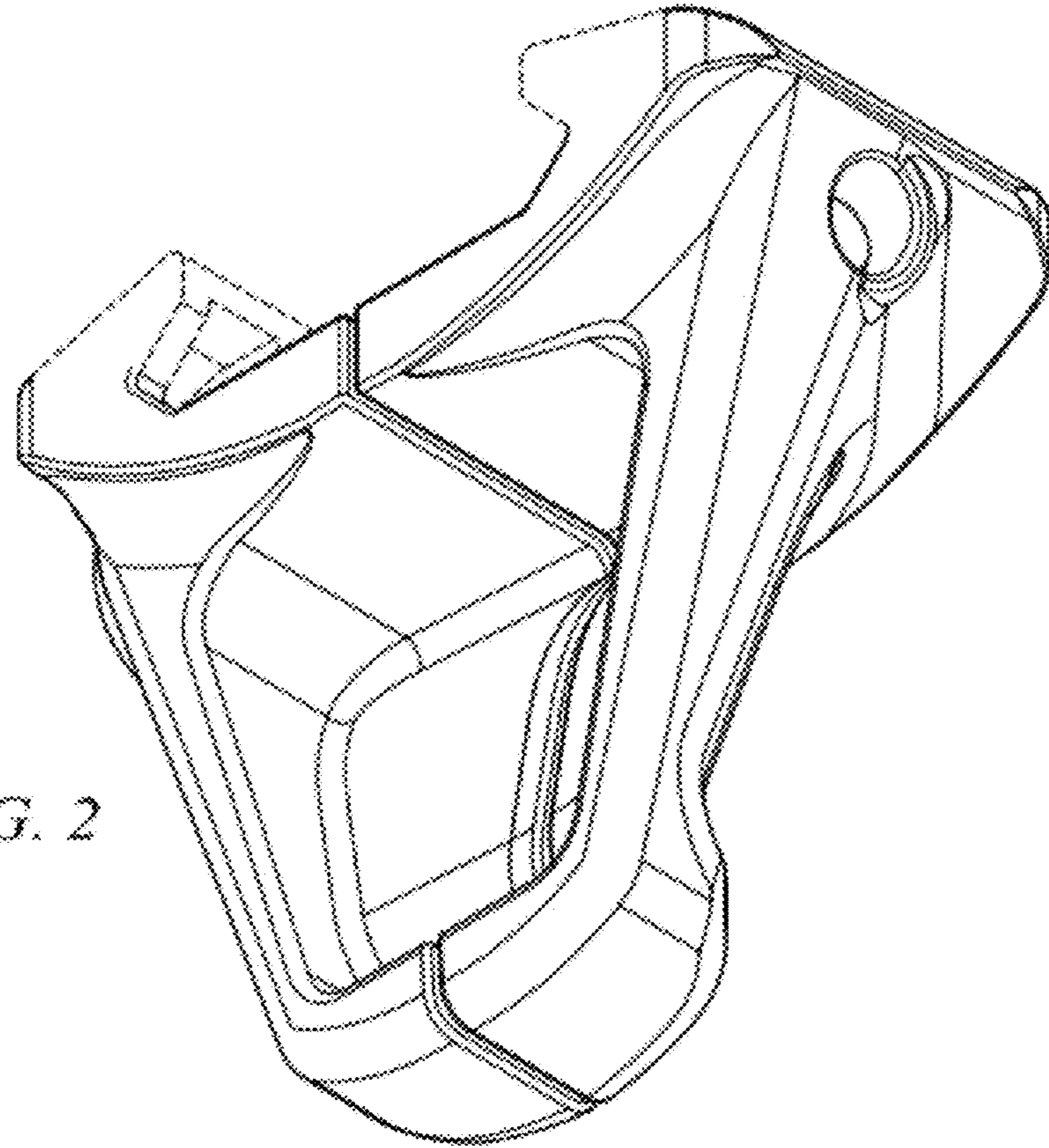


FIG. 2

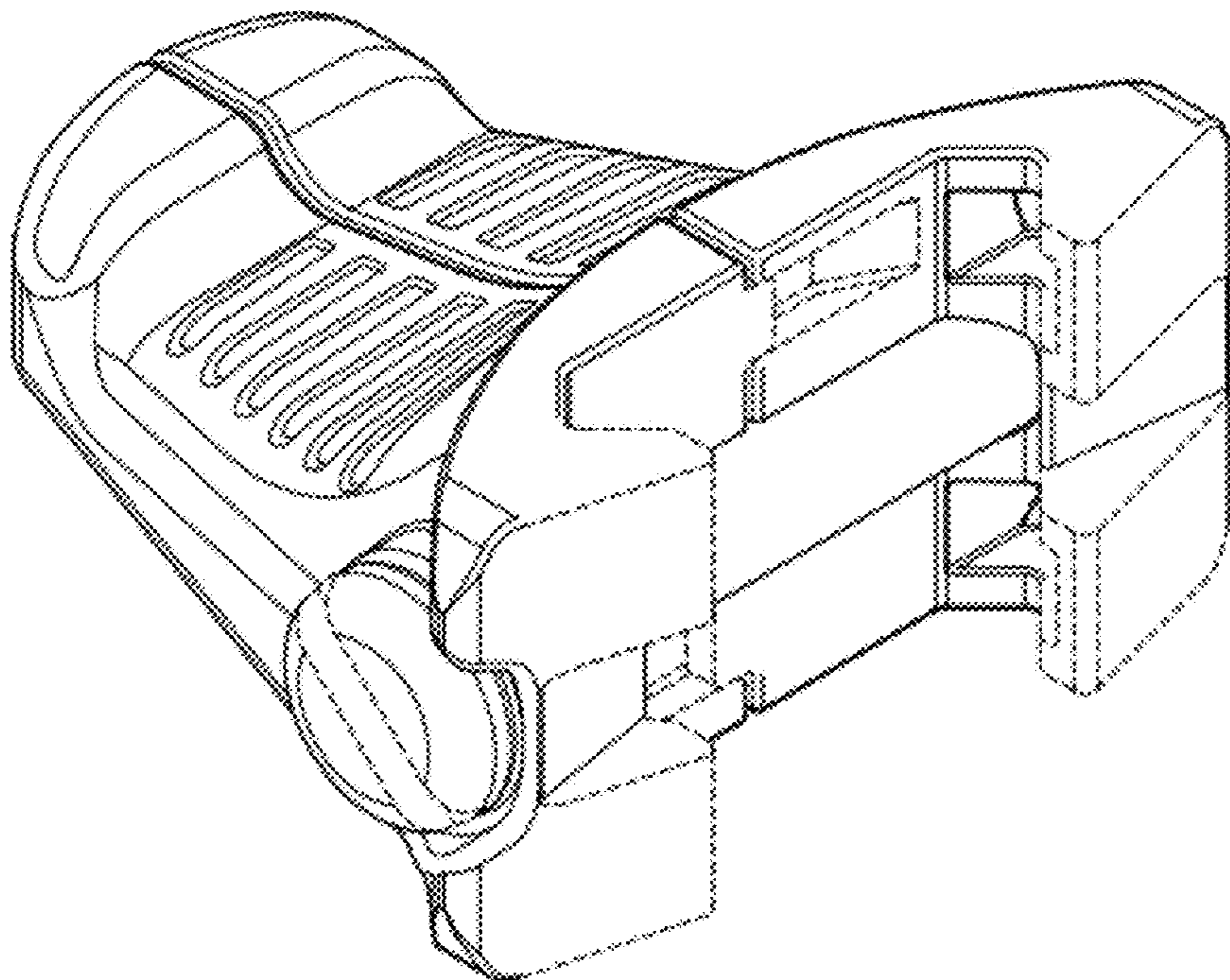


FIG. 3

FIG. 4

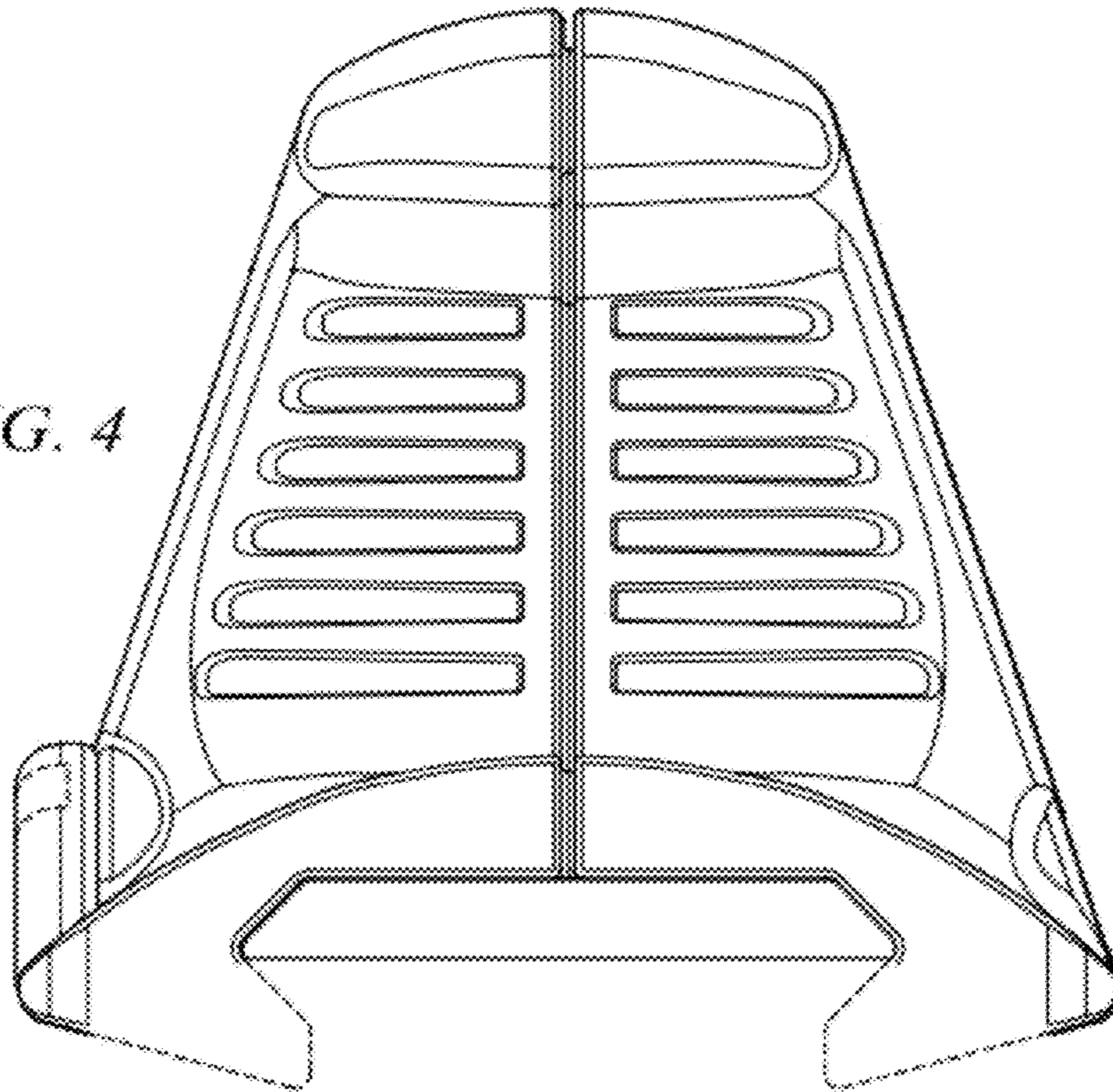
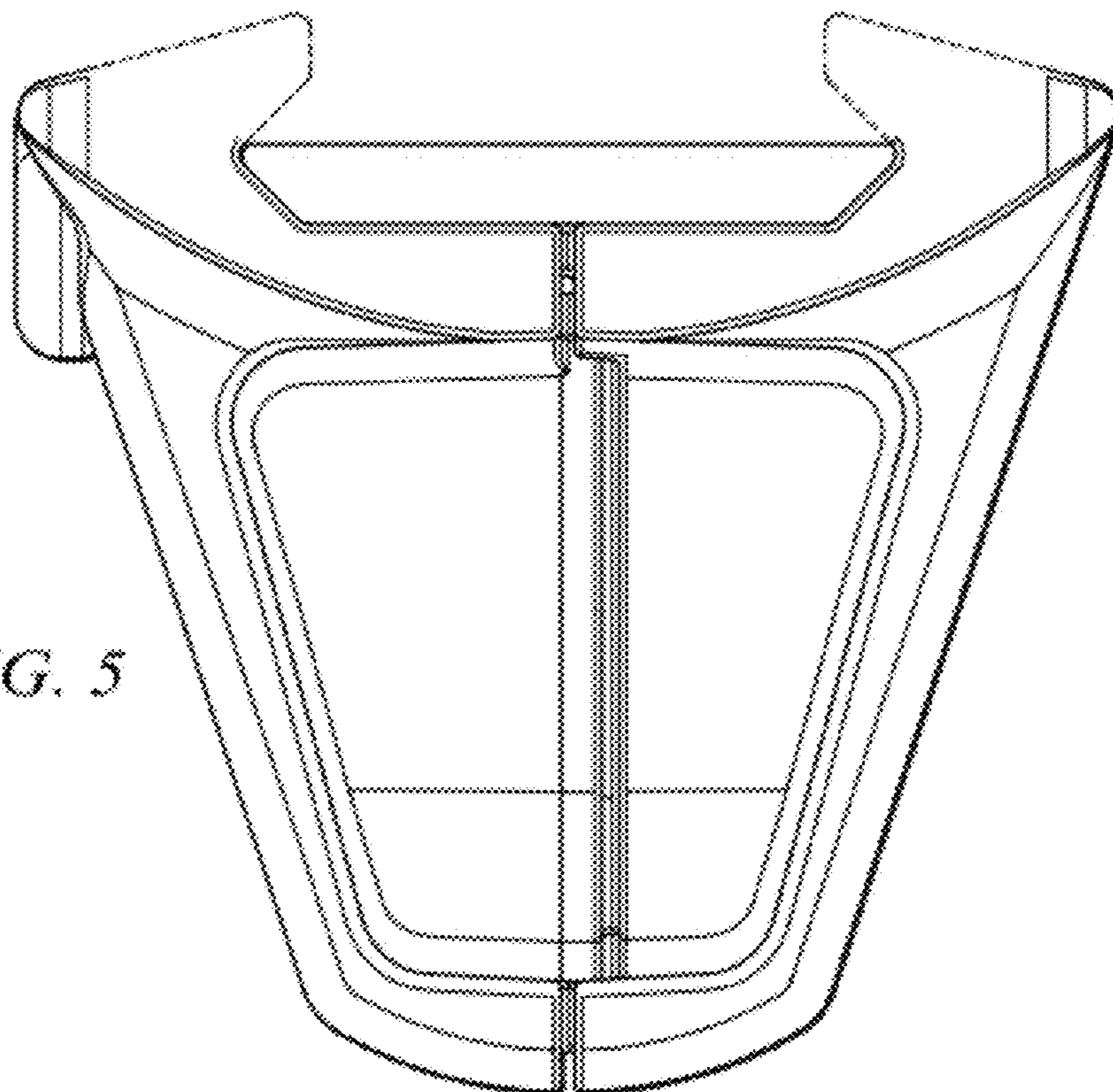
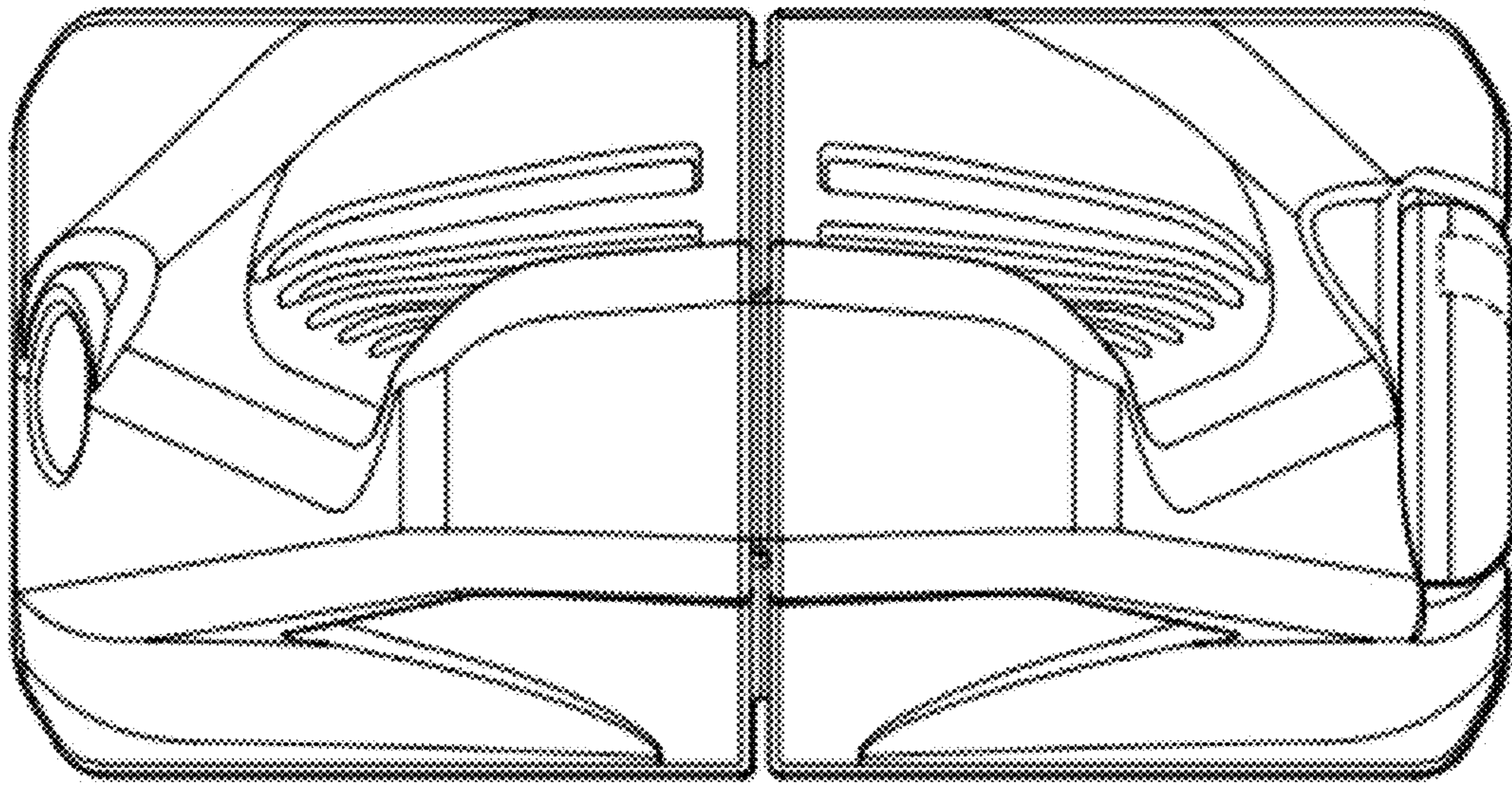
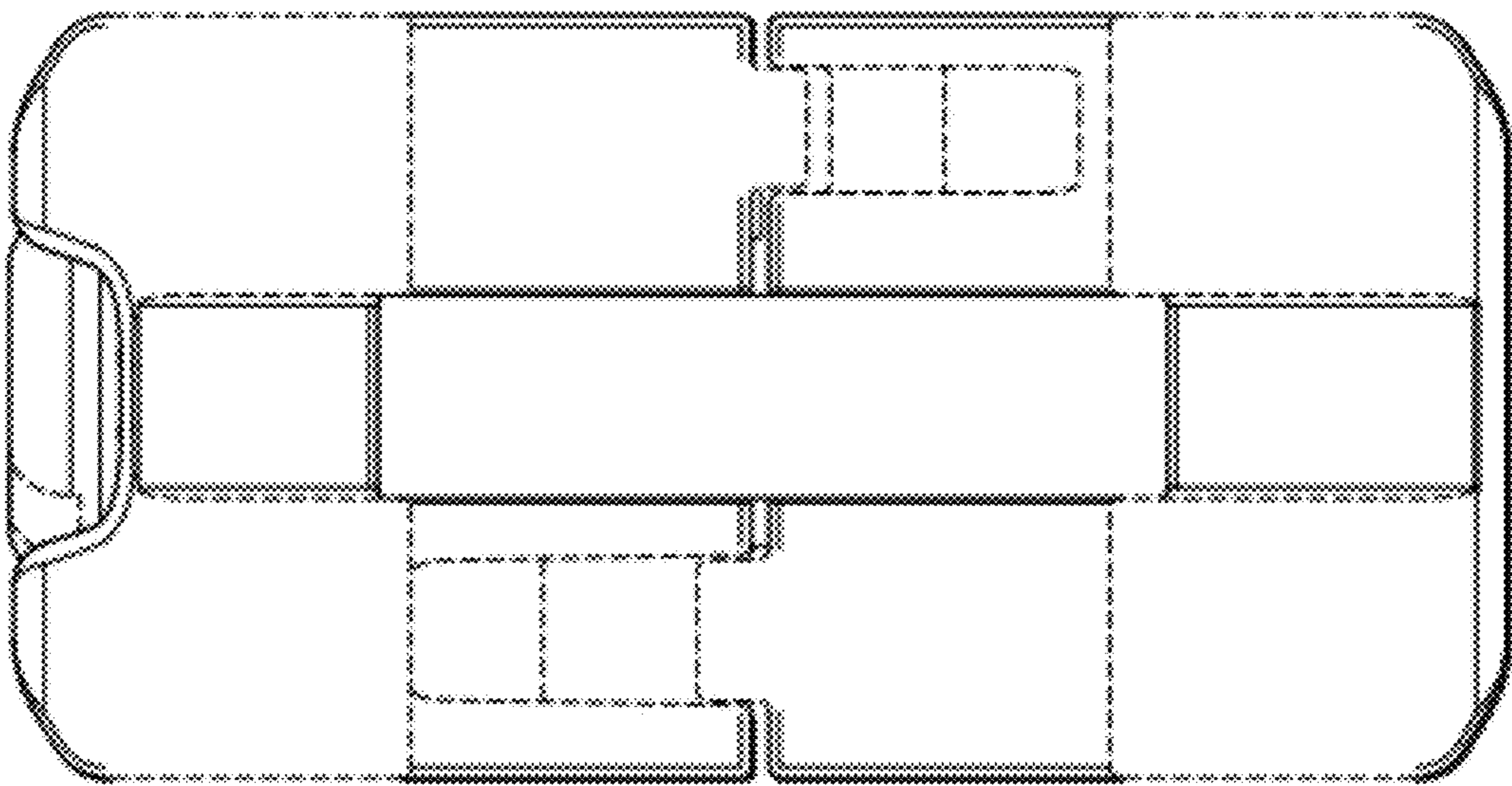


FIG. 5

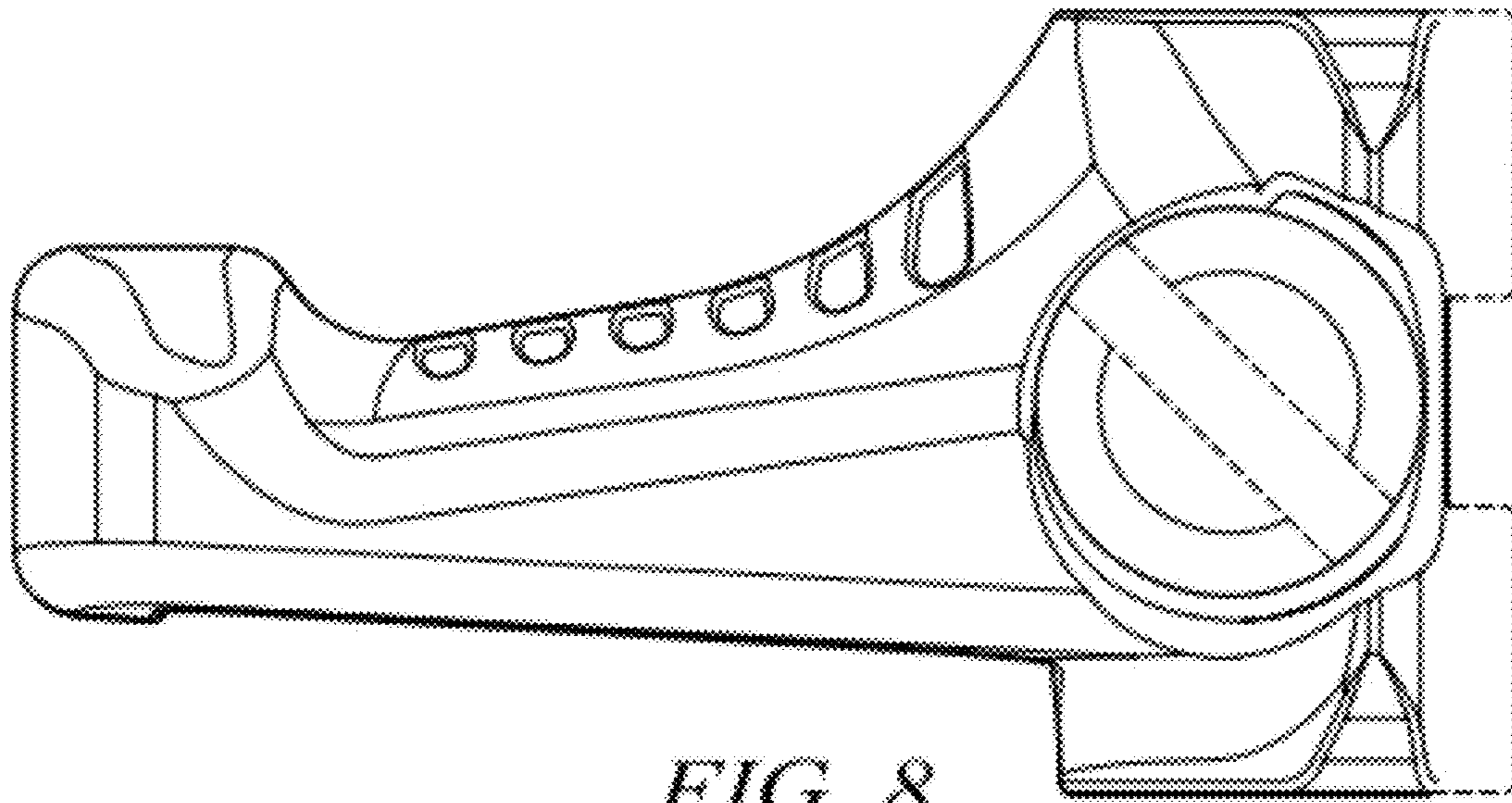




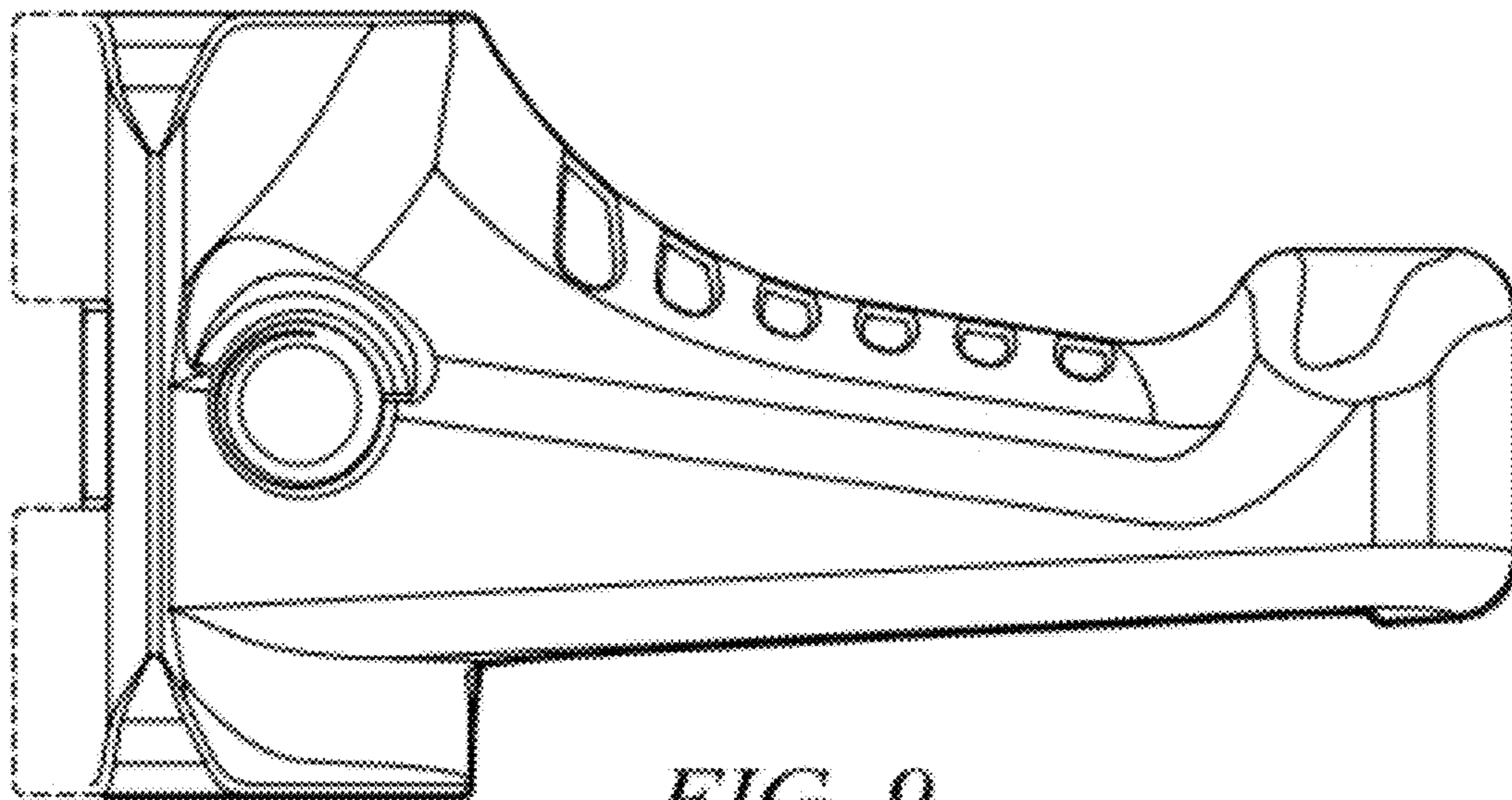
*FIG. 6*



*FIG. 7*



*FIG. 8*



*FIG. 9*