



US00D670784S

(12) **United States Design Patent**
Emde

(10) **Patent No.:** **US D670,784 S**

(45) **Date of Patent:** **** Nov. 13, 2012**

(54) **SEMI-AUTOMATIC FIREARM MAGAZINE**

(75) Inventor: **Dietmar Emde, Arnsberg (DE)**

(73) Assignee: **German Sport Guns GmbH,**
Ense-Hoingen (DE)

(**) Term: **14 Years**

(21) Appl. No.: **29/361,500**

(22) Filed: **May 12, 2010**

(51) **LOC (9) Cl.** **22-01**

(52) **U.S. Cl.** **D22/108**

(58) **Field of Classification Search** D22/100-116;
D21/572-573; 124/66, 67, 74; 42/51, 71.01,
42/75.01, 75.02, 90, 94; 362/110; 89/40.06,
89/37.04, 33.04, 191.01

See application file for complete search history.

(56) **References Cited**

U.S. PATENT DOCUMENTS

4,509,283	A *	4/1985	Chesnut	42/50
4,888,899	A *	12/1989	Chesnut et al.	42/50
5,099,595	A *	3/1992	Chesnut et al.	42/50
5,417,003	A *	5/1995	Claveau	42/90

6,736,125	B2 *	5/2004	Petrosyan et al.	124/51.1
7,886,468	B1 *	2/2011	Pontollo, II	42/50
2011/0107639	A1 *	5/2011	Douglas	42/50

* cited by examiner

Primary Examiner — Michael A Pratt

(74) *Attorney, Agent, or Firm* — McNeely, Hare & War LLP;
Kevin J. McNeely

(57) **CLAIM**

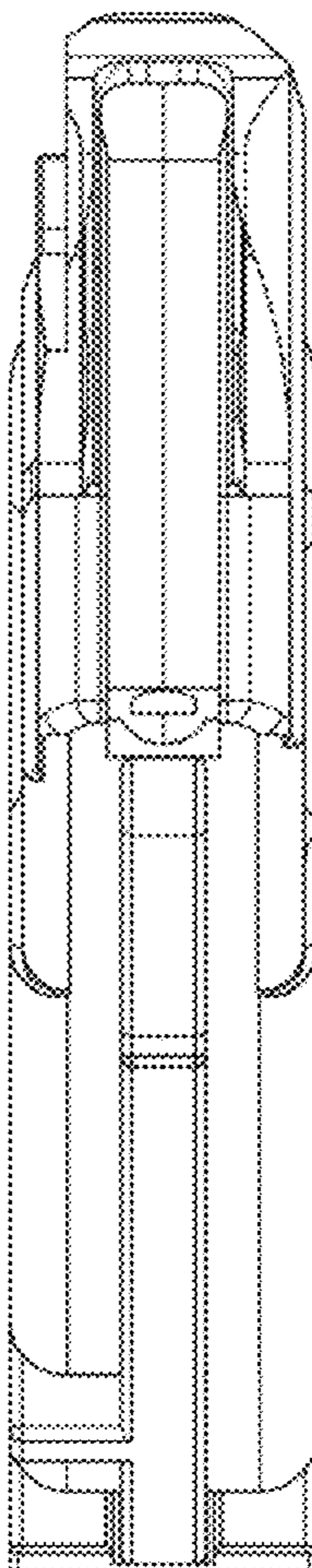
I claim, the ornamental design for a semi-automatic firearm magazine, as shown and described.

DESCRIPTION

FIG. 1 is a top plan view of a semi-automatic firearm magazine, showing my new design;
FIG. 2 is a bottom view thereof;
FIG. 3 is a left elevation view thereof;
FIG. 4 is a right elevation view thereof;
FIG. 5 is a front elevation view thereof; and,
FIG. 6 is a back elevation view thereof.

The broken line showing of portions of the semi-automatic firearm magazine is included for the purpose of illustrating environment and forms no part of the claimed design.

1 Claim, 6 Drawing Sheets



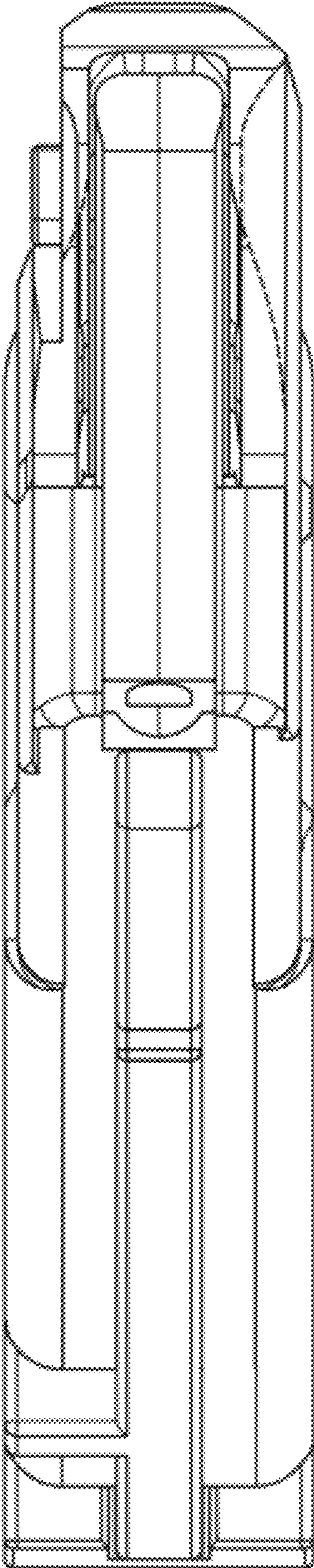


Fig. 1

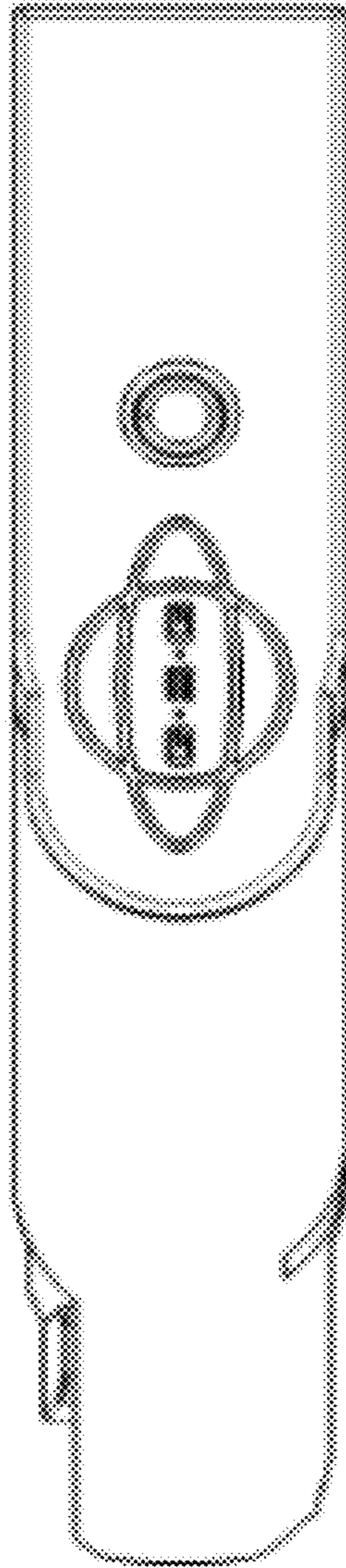


FIG. 2

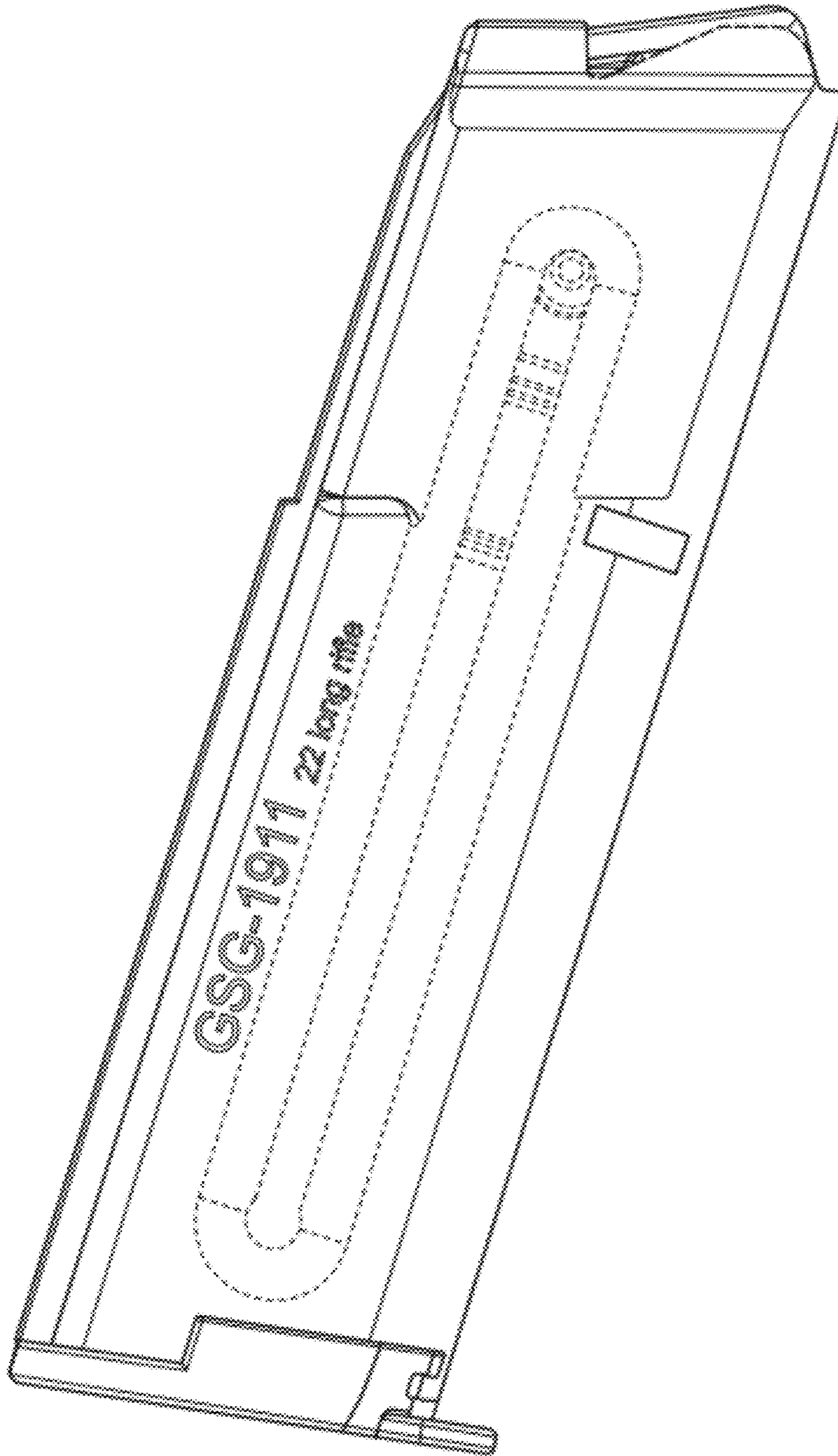


Fig. 3

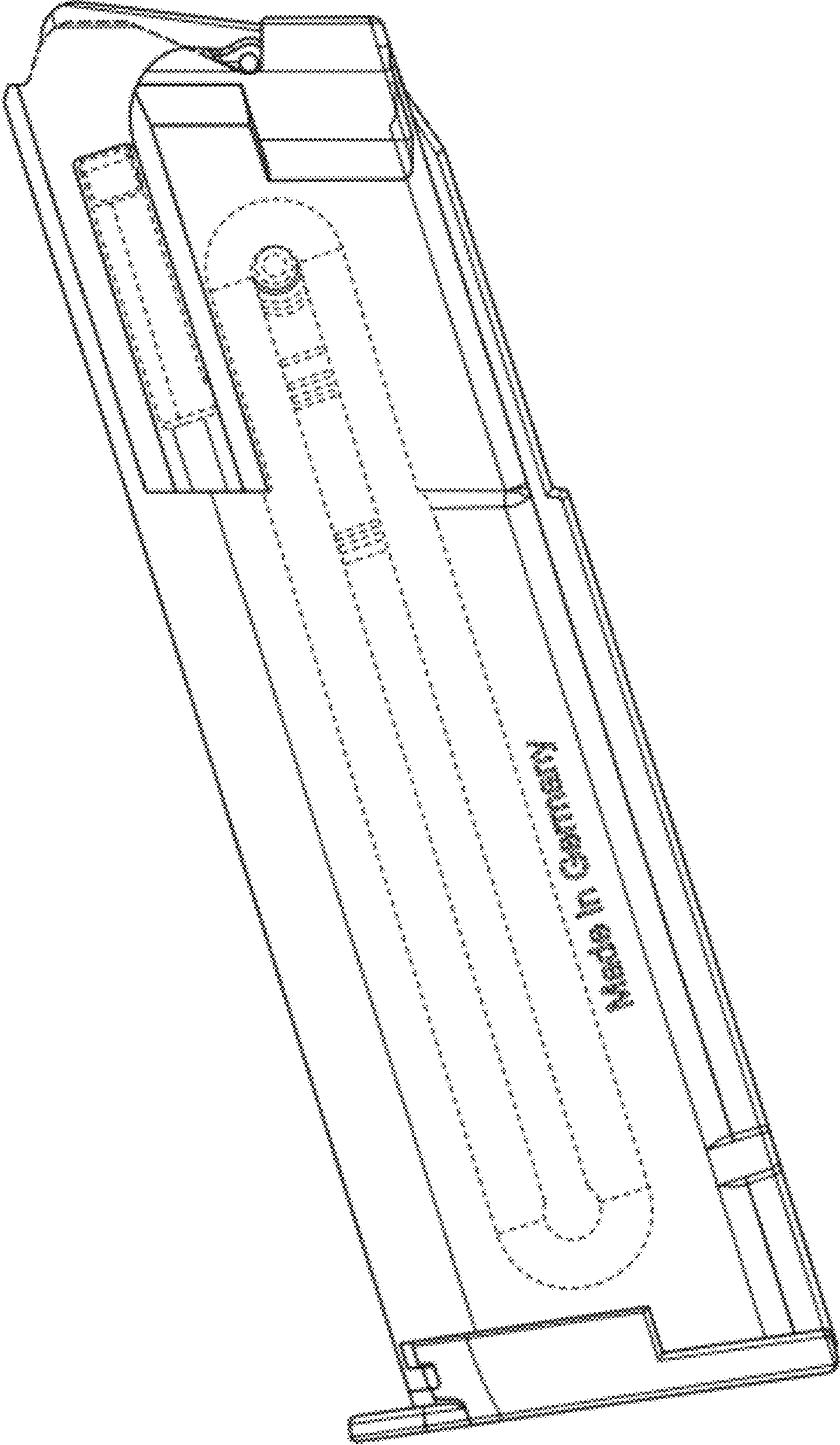


Fig. 4

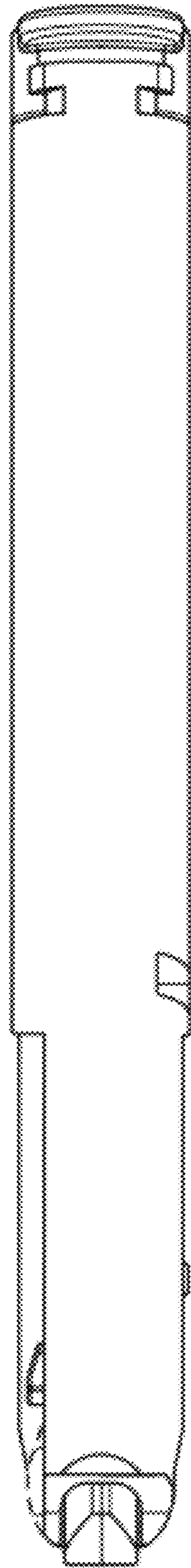


Fig. 5

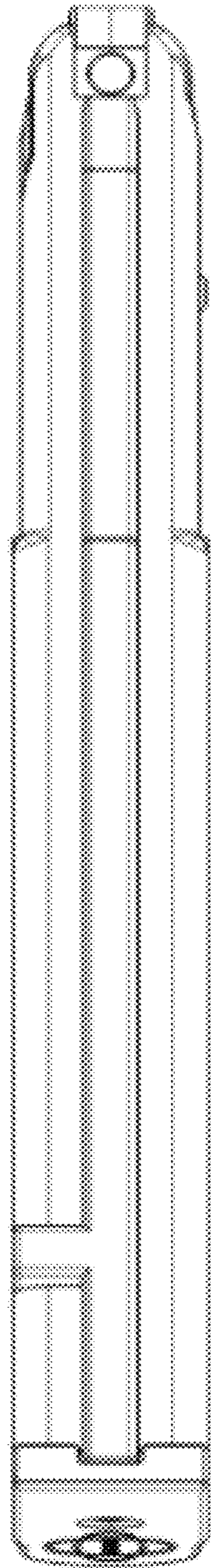


FIG. 6