



US00D670780S

(12) **United States Design Patent**
Cunningham

(10) **Patent No.:** **US D670,780 S**

(45) **Date of Patent:** **** Nov. 13, 2012**

(54) **DRIVING-SIMULATOR FRAME**

(75) Inventor: **Roy Curtis Cunningham**, Belton, MO
(US)

(73) Assignee: **Carriage Works, Inc.**, Grandview, MO
(US)

(**) Term: **14 Years**

(21) Appl. No.: **29/404,349**

(22) Filed: **Oct. 19, 2011**

(51) **LOC (9) Cl.** **21-01**

(52) **U.S. Cl.** **D21/828**

(58) **Field of Classification Search** D21/811,
D21/814, 828, 477, 326; 482/35, 36; 434/69,
434/62; 280/87.01, 87.021

See application file for complete search history.

(56) **References Cited**

U.S. PATENT DOCUMENTS

3,479,750 A * 11/1969 Swanson 434/62
4,276,030 A * 6/1981 Radice 434/62
4,952,152 A * 8/1990 Briggs et al. 434/69

D318,073 S * 7/1991 Jang D21/326
D376,186 S * 12/1996 Penney D21/814
D389,216 S * 1/1998 Isetani et al. D21/814
D446,263 S * 8/2001 Heys D21/477
7,662,042 B2 * 2/2010 Oswald 463/46

* cited by examiner

Primary Examiner — Mitchell Siegel

(74) *Attorney, Agent, or Firm* — Shook Hardy & Bacon LLP

(57) **CLAIM**

The ornamental design for a driving-simulator frame, as shown and described.

DESCRIPTION

FIG. 1 is a side view of a driving-simulator frame showing the new design;

FIG. 2 is a front view thereof;

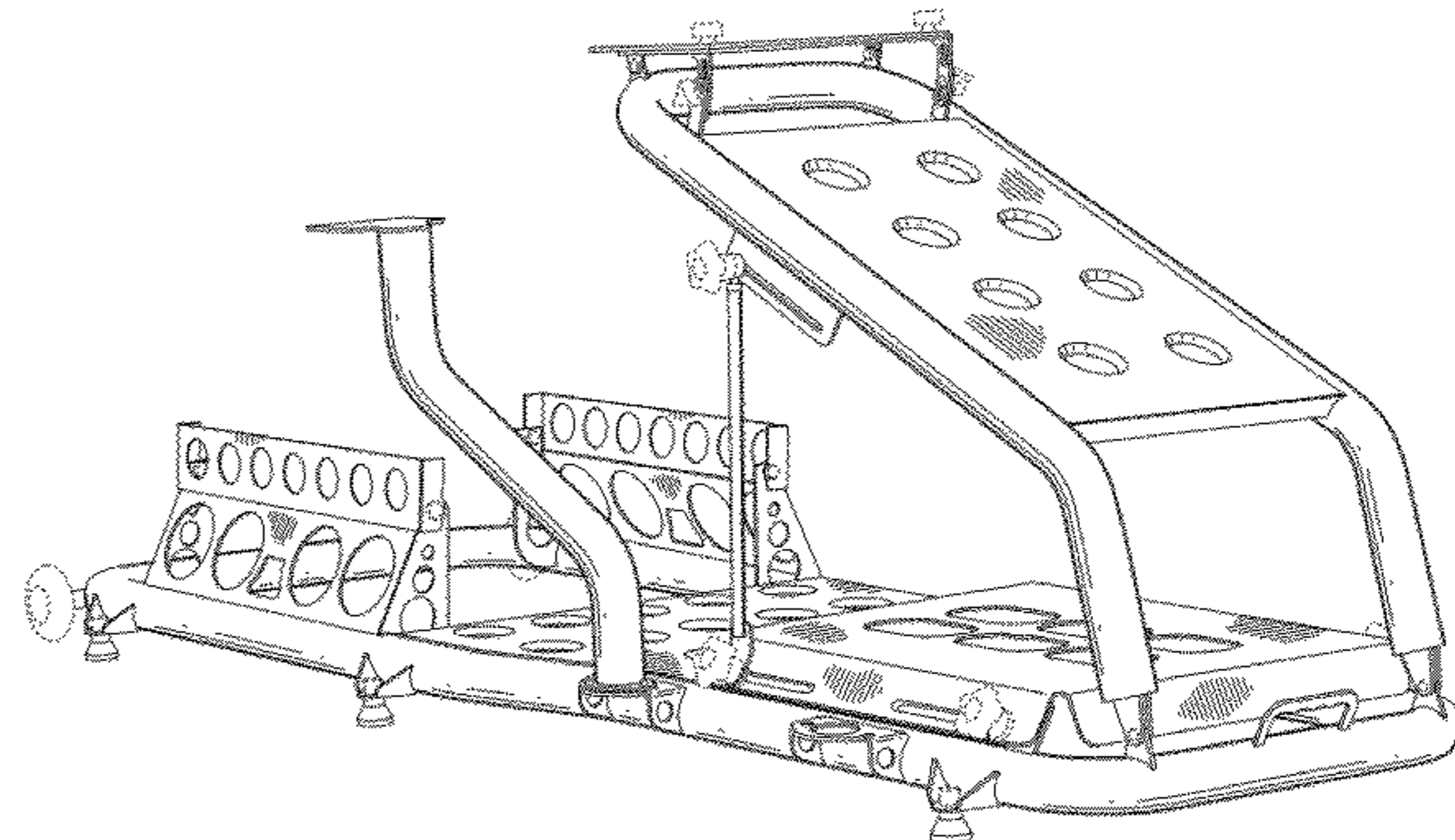
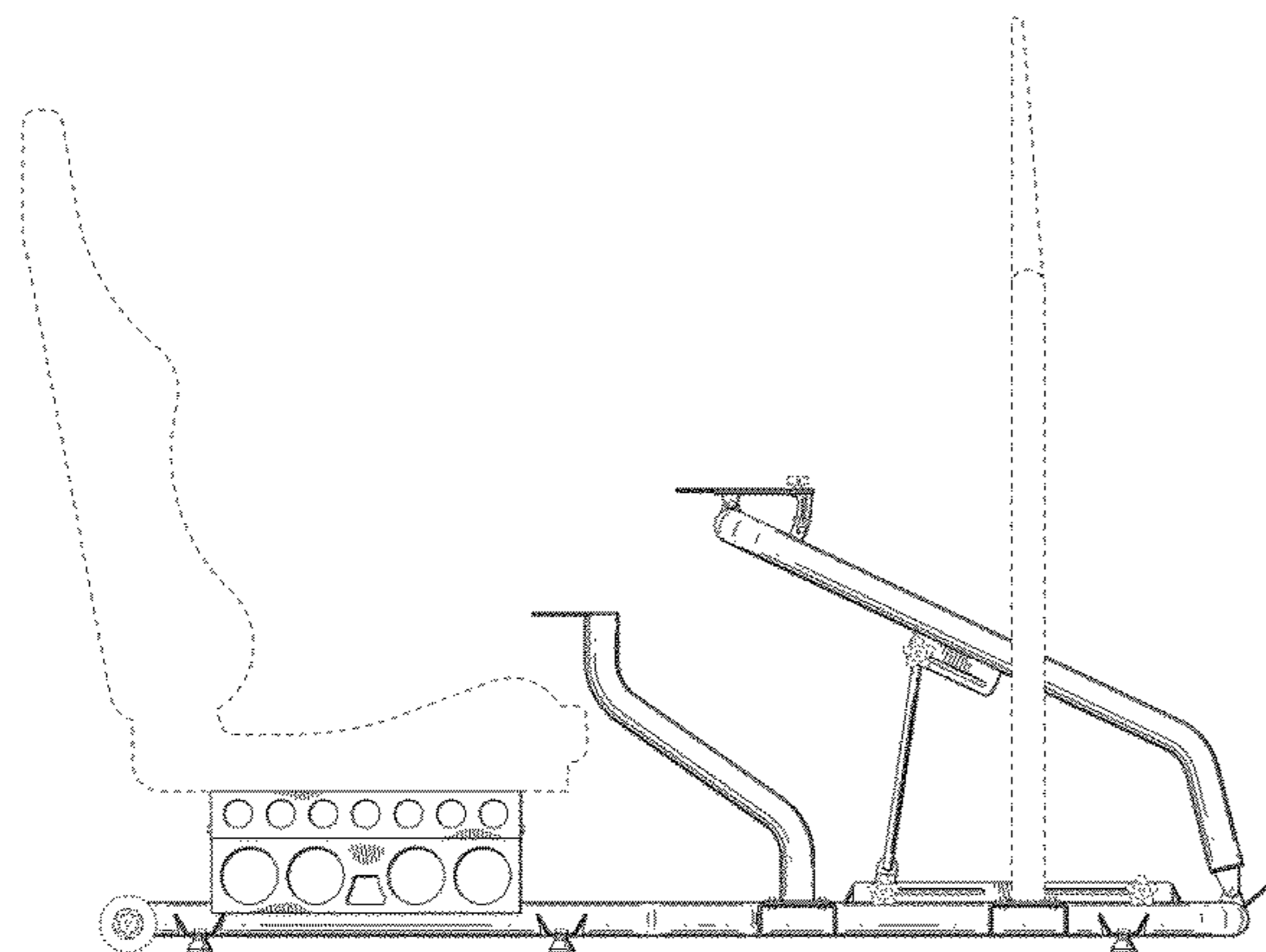
FIG. 3 is a top view thereof;

FIG. 4 is a bottom view thereof; and,

FIG. 5 is a perspective view thereof.

The broken line showing is included for the purpose of illustrating and forms no part of the claimed design.

1 Claim, 5 Drawing Sheets



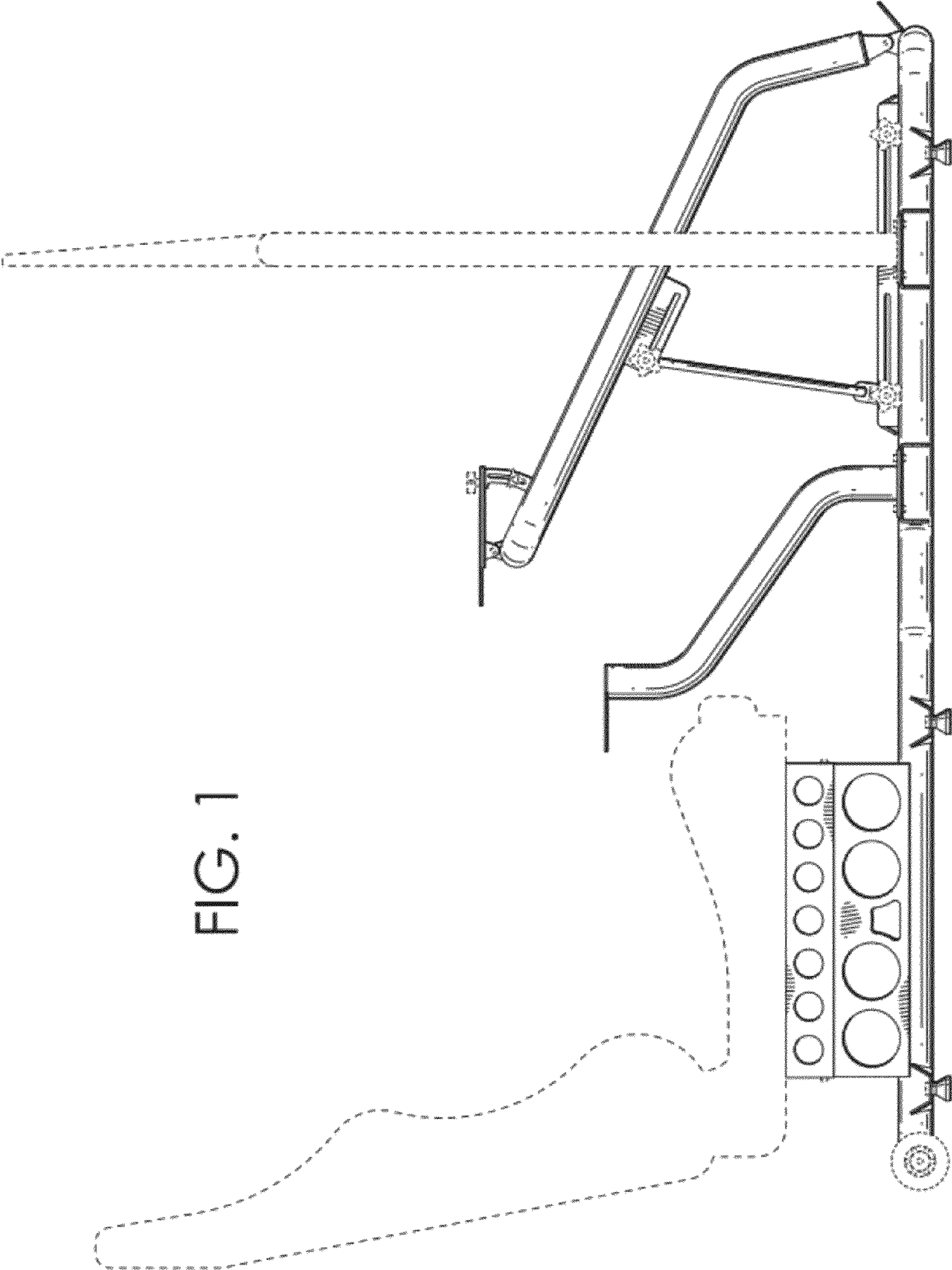


FIG. 1

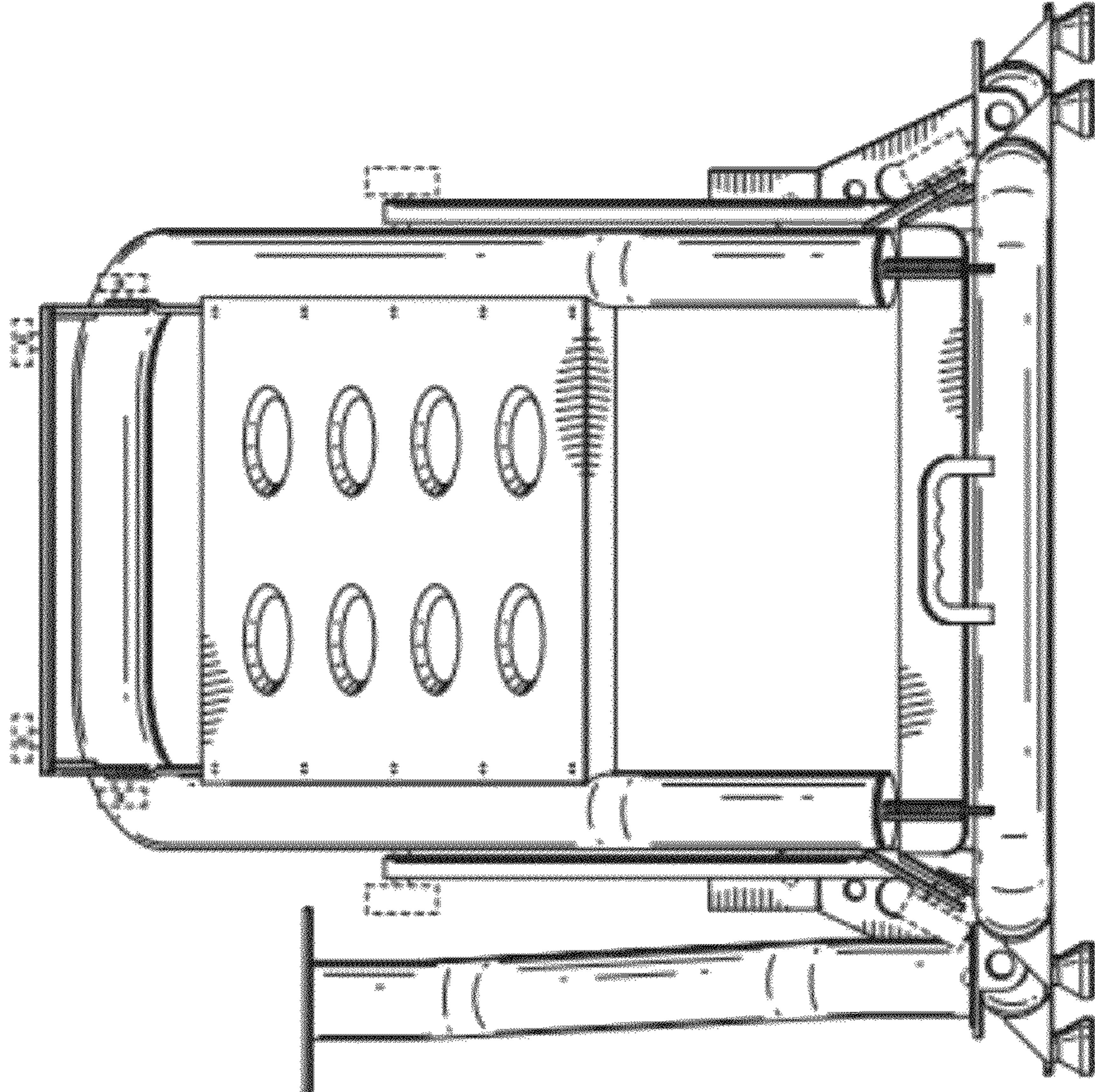


FIG. 2

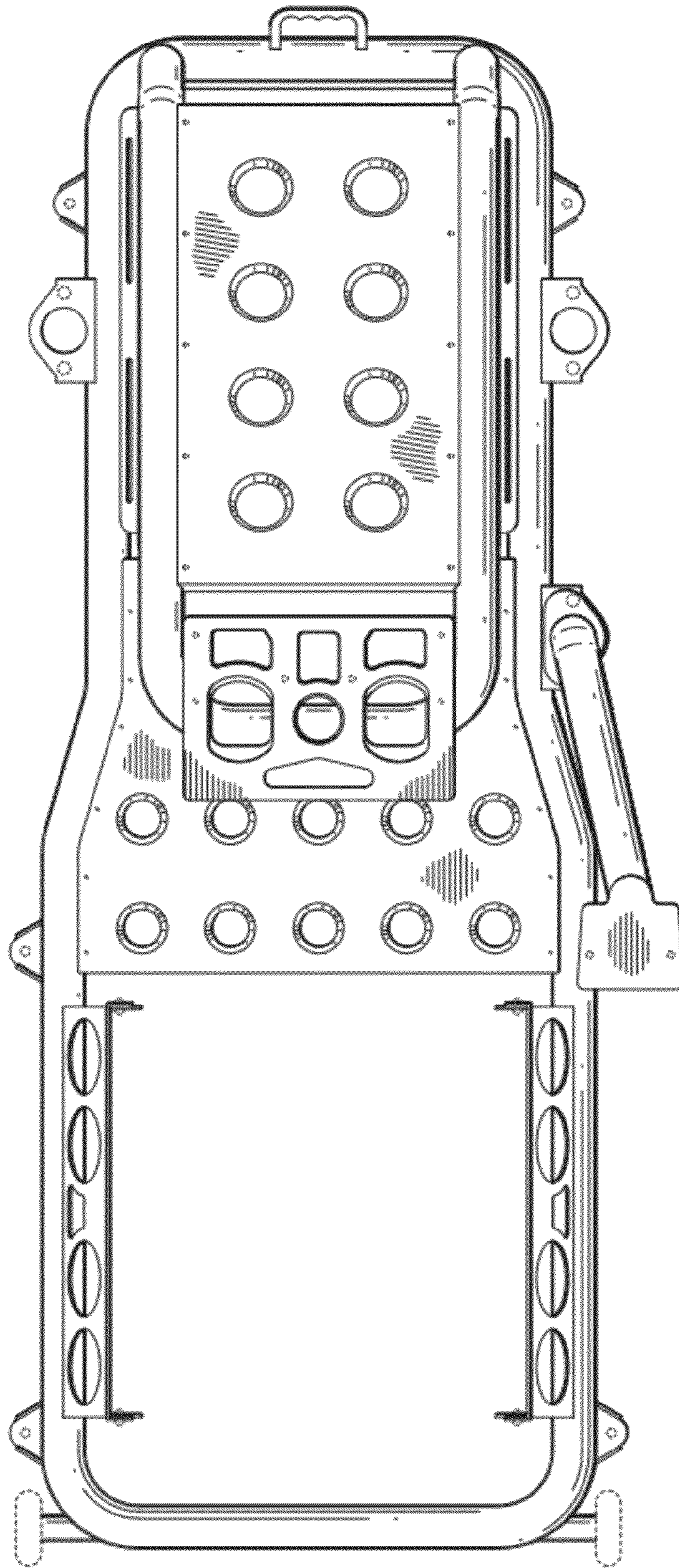


FIG. 3

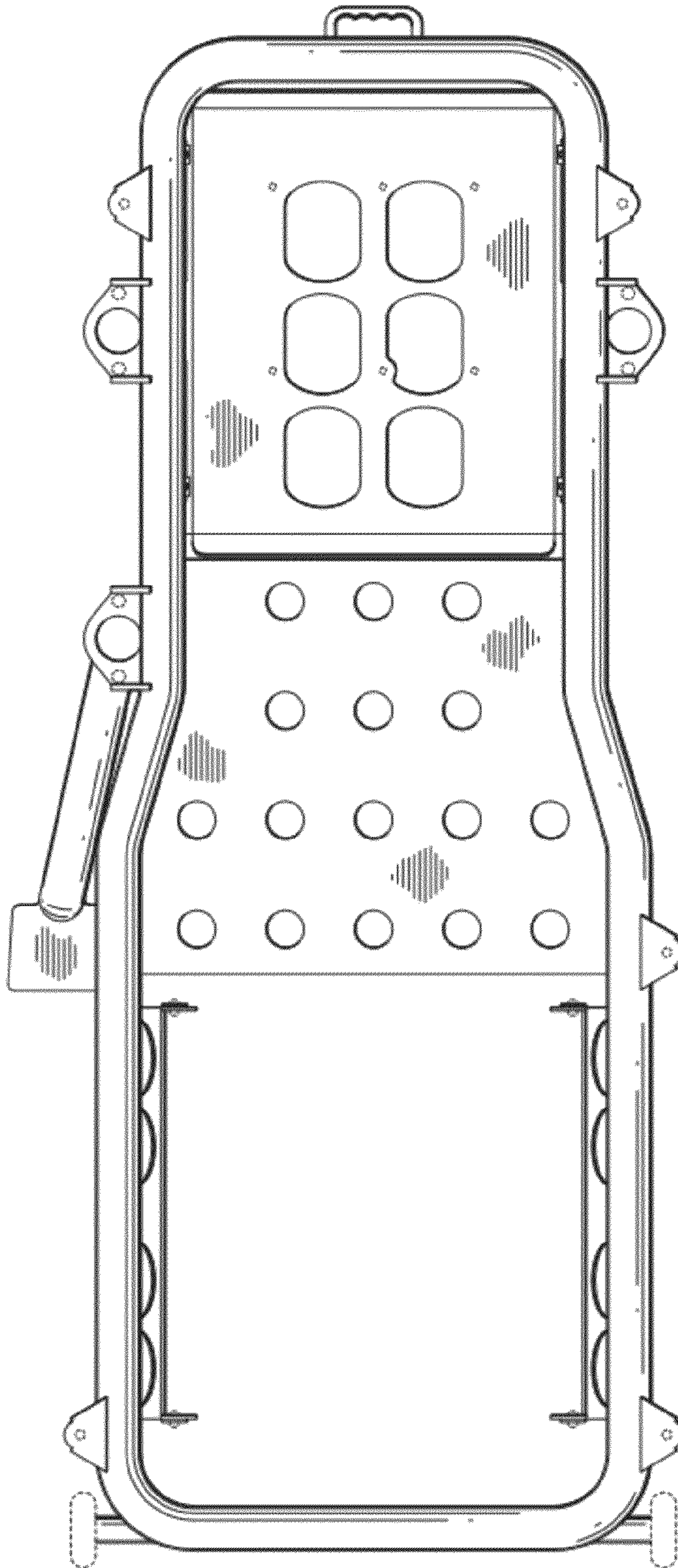


FIG. 4

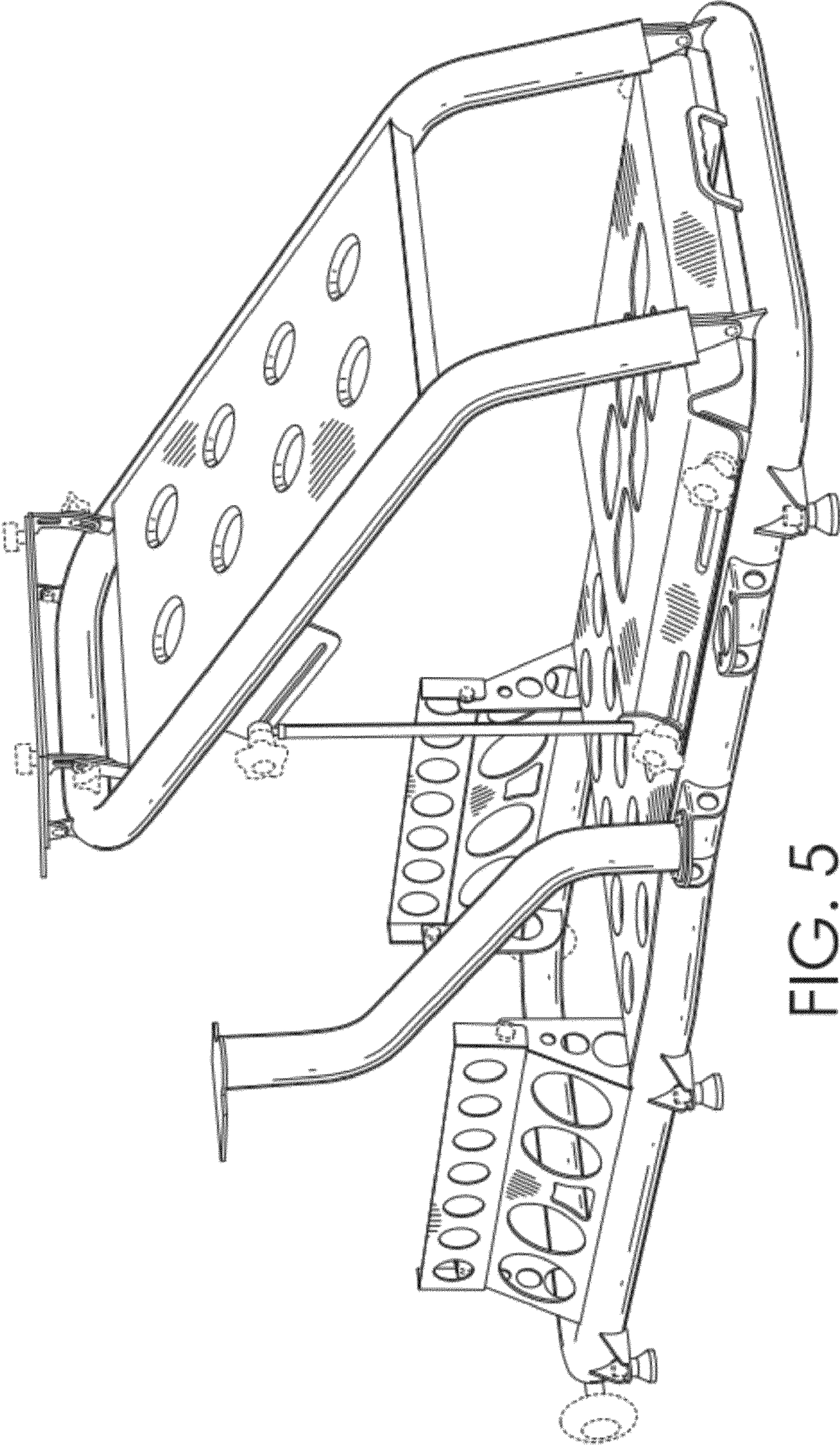


FIG. 5