



US00D670778S

(12) **United States Design Patent**
Savarese et al.

(10) **Patent No.:** **US D670,778 S**

(45) **Date of Patent:** **** Nov. 13, 2012**

(54) **GOLF CLUB END CAP**

(75) Inventors: **Chris Savarese**, Danville, CA (US);
Noel H. C. Marshall, Gerringong (AU);
Susan McGill, Redwood City, CA (US);
Kenneth P. Gilliland, Petaluma, CA (US)

(73) Assignee: **Radar Corporation**, San Ramon, CA (US)

(**) Term: **14 Years**

(21) Appl. No.: **29/400,598**

(22) Filed: **Aug. 30, 2011**

Related U.S. Application Data

(63) Continuation-in-part of application No. 29/380,001, filed on Nov. 29, 2010, which is a continuation-in-part of application No. 29/375,140, filed on Sep. 17, 2010, now Pat. No. Des. 649,610, which is a continuation-in-part of application No. 29/358,183, filed on Mar. 23, 2010, now Pat. No. Des. 627,021.

(51) **LOC (9) Cl.** **21-02**

(52) **U.S. Cl.** **D21/759**

(58) **Field of Classification Search** D21/789,
D21/793, 794, 756-758, 753, 460; 473/285,
473/406, 300-303

See application file for complete search history.

(56) **References Cited**

U.S. PATENT DOCUMENTS

D32,971 S	7/1900	Smith
2,446,622 A	8/1948	Turner
4,380,337 A	4/1983	DiMatteo
D314,600 S	2/1991	Tosti
D319,278 S	8/1991	Tosti
D319,862 S	9/1991	Lahger
D360,447 S	7/1995	Howe et al.
5,476,258 A	12/1995	Frisone
D379,394 S	5/1997	Fortis
D410,518 S	6/1999	Didier et al.

(Continued)

FOREIGN PATENT DOCUMENTS

GB 2440027 A 1/2008

(Continued)

Primary Examiner — Mitchell Siegel

(74) *Attorney, Agent, or Firm* — Blakely, Sokoloff, Taylor & Zafman LLP

(57) **CLAIM**

The ornamental design for a golf club end cap, as shown and described.

DESCRIPTION

This application is related to U.S. patent application Ser. No. 12/813,465 filed on Jun. 10, 2010.

FIG. 1 is a side view of the golf club end cap;

FIG. 2 is a top view thereof;

FIG. 3 is a bottom view thereof;

FIG. 4 is a bottom perspective view thereof;

FIG. 5 is a top perspective view thereof;

FIG. 6 is a side view of a second embodiment of the golf club end cap;

FIG. 7 is a top view of FIG. 6;

FIG. 8 is a bottom view of FIG. 6;

FIG. 9 is a bottom perspective view of FIG. 6;

FIG. 10 is a top perspective view of FIG. 6

FIG. 11 is a side view of a third embodiment of the golf club end cap;

FIG. 12 is a top view of FIG. 11;

FIG. 13 is a bottom view of FIG. 11;

FIG. 14 is a bottom perspective view of FIG. 11;

FIG. 15 is a top perspective view of FIG. 11;

FIG. 16 is a side view of a fourth embodiment of the golf club end cap;

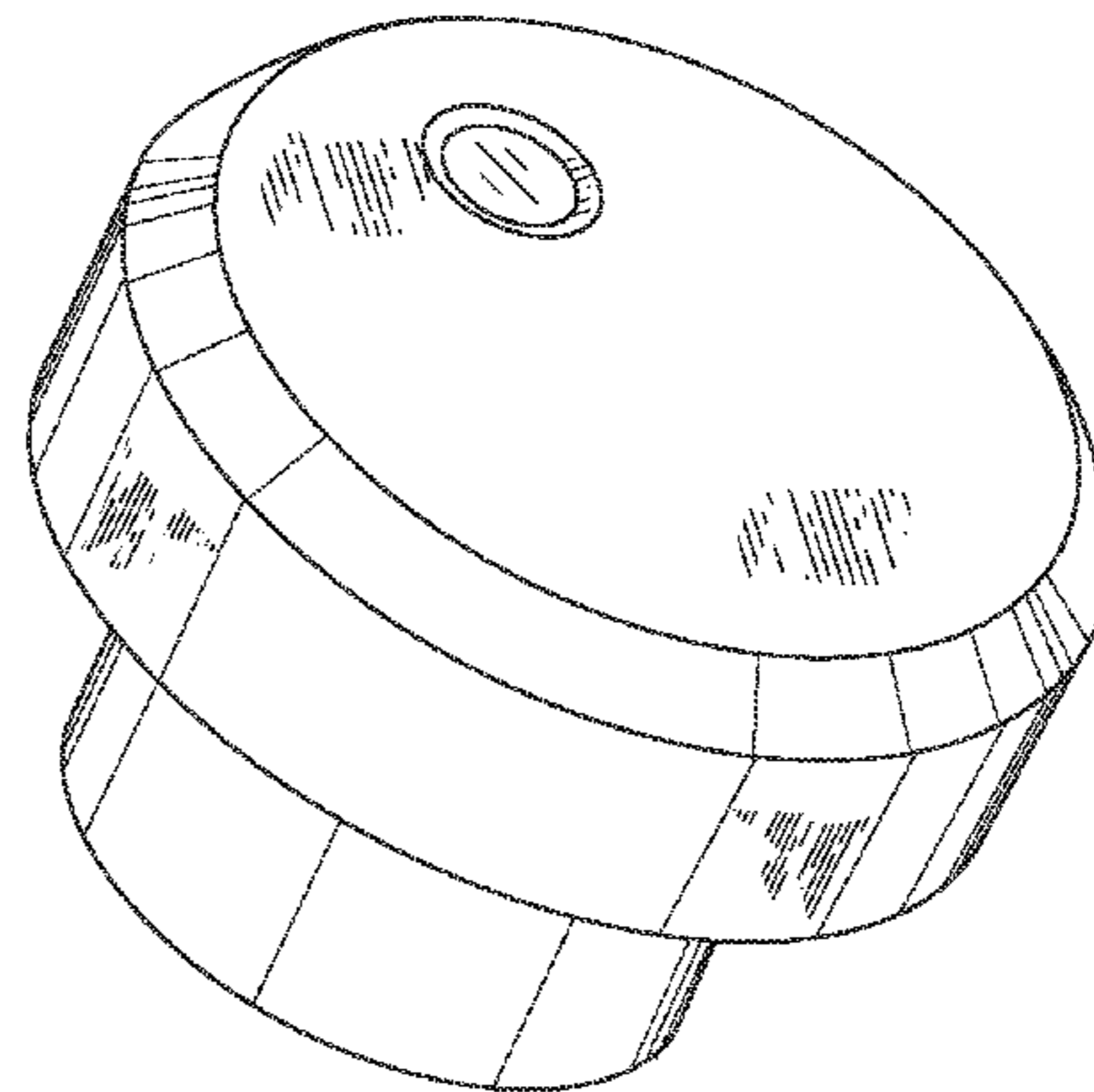
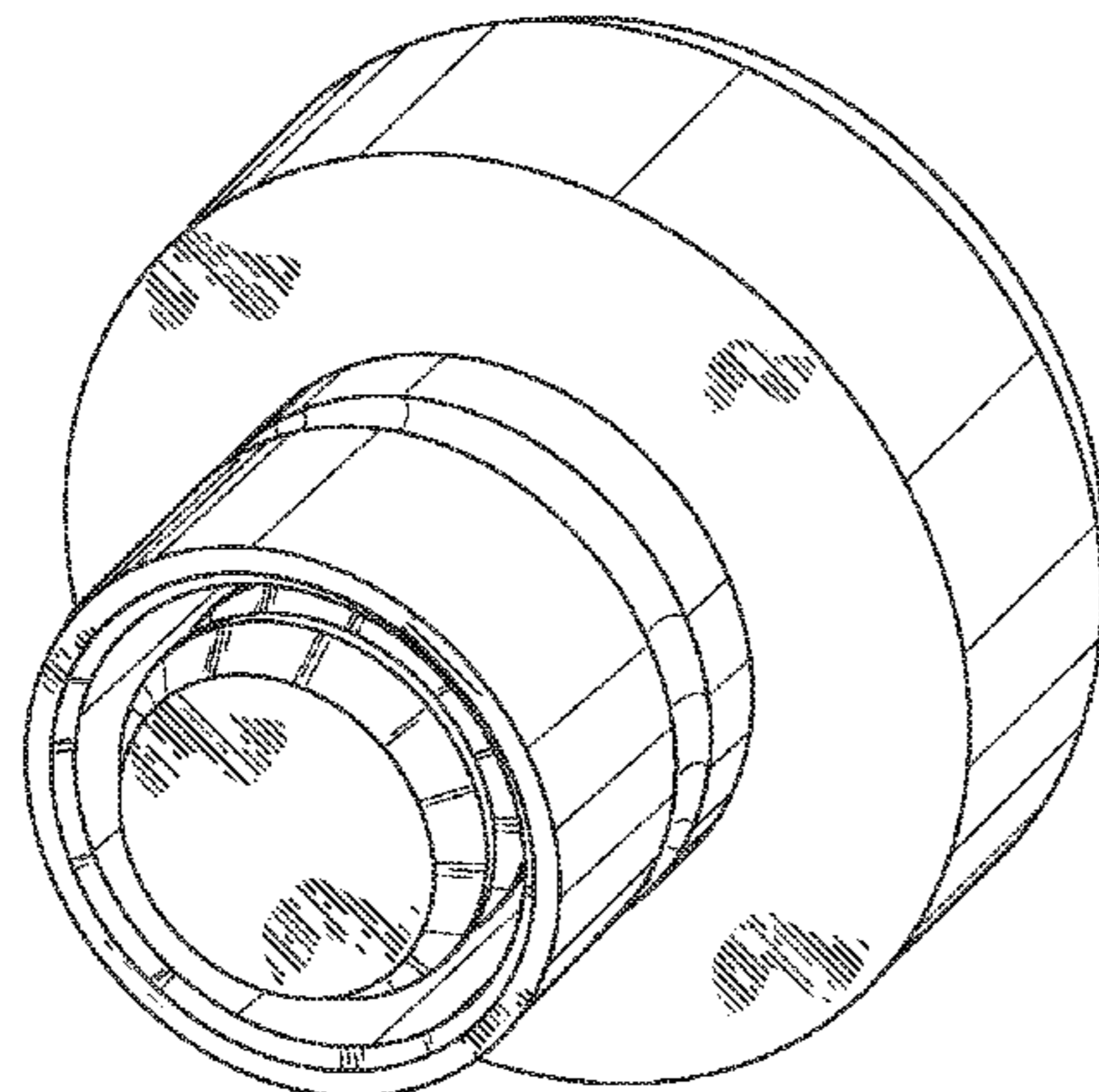
FIG. 17 is a top view of FIG. 16;

FIG. 18 is a bottom view of FIG. 16;

FIG. 19 is a bottom perspective view of FIG. 16; and,

FIG. 20 is a top perspective view of FIG. 16.

1 Claim, 20 Drawing Sheets



US D670,778 S

Page 2

U.S. PATENT DOCUMENTS

6,118,376 A 9/2000 Regester
D432,197 S 10/2000 Carr
D450,364 S 11/2001 Kersten
D464,694 S 10/2002 Moore
D472,703 S 4/2003 Wampler
D488,202 S 4/2004 Jaffe
D489,781 S 5/2004 Lane
D523,507 S 6/2006 Perry et al.
D523,512 S 6/2006 Rydzynski et al.
D536,048 S 1/2007 Chen
D538,869 S 3/2007 Wang et al.
D564,610 S 3/2008 Chen
7,399,235 B2 7/2008 Gill et al.
D584,781 S 1/2009 Chen

D593,172 S 5/2009 Gill et al.
D594,523 S * 6/2009 Uhrig et al. D21/794
D595,380 S 6/2009 Koehler
D602,104 S 10/2009 Black et al.
D627,023 S 11/2010 Hsu
D629,857 S 12/2010 Gill et al.
7,931,544 B2 4/2011 Gill

FOREIGN PATENT DOCUMENTS

JP Sho 52-041255 3/1977
JP Sho 54-4068 1/1979
JP Sho 59-017370 1/1984
JP Hei 1-069563 5/1989
JP 2000-037487 8/2000

* cited by examiner

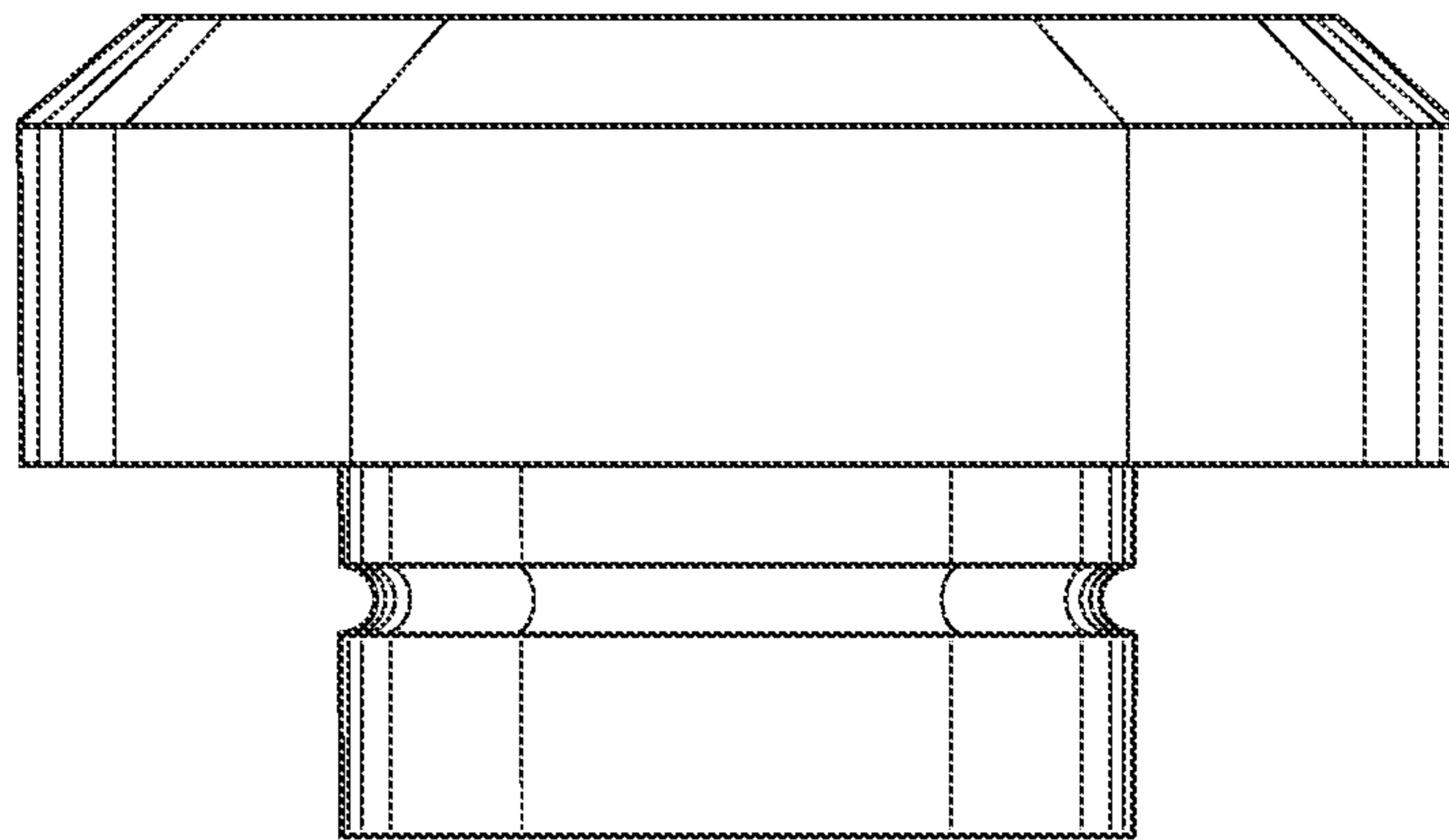


FIG. 1

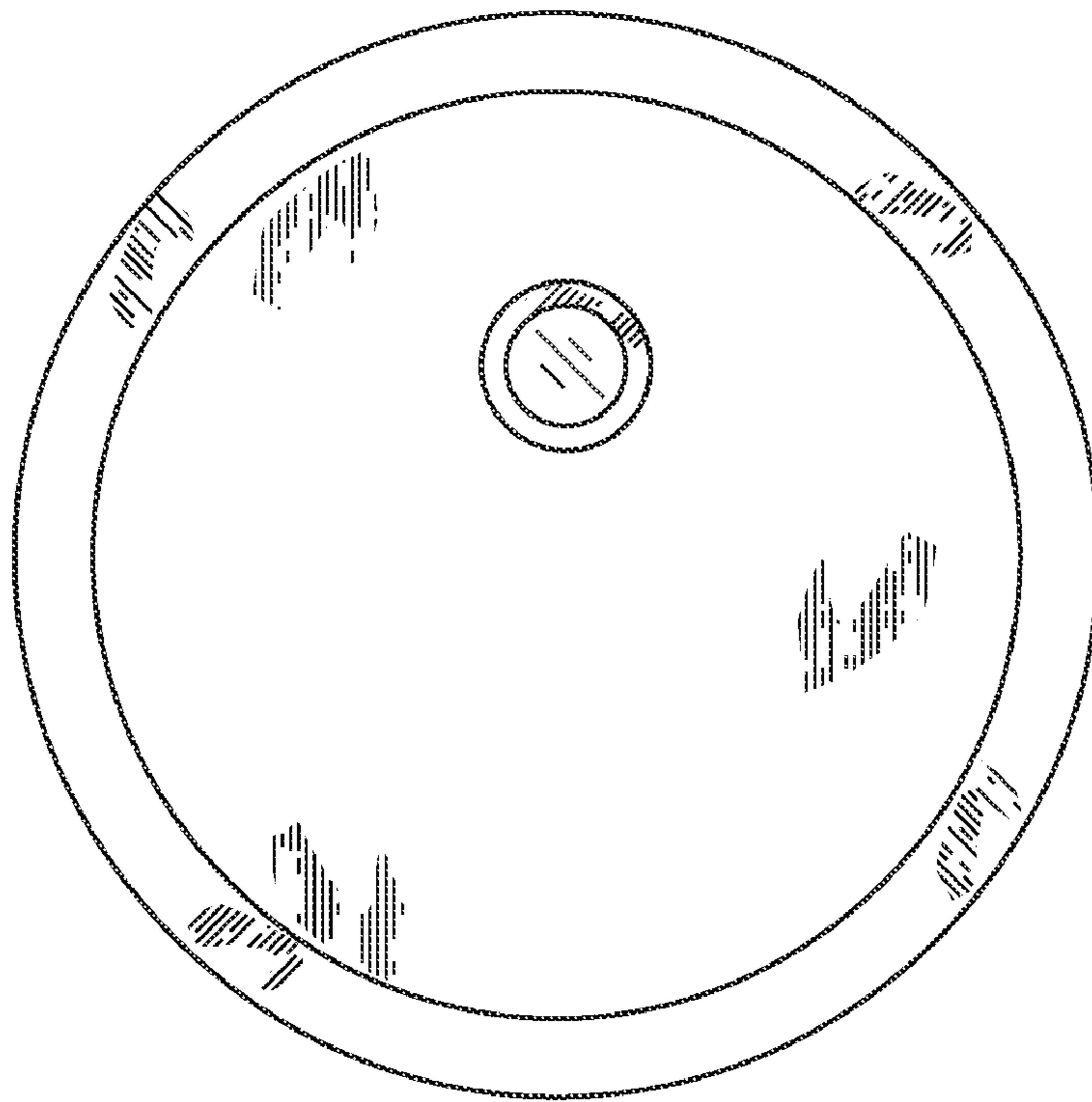


FIG. 2

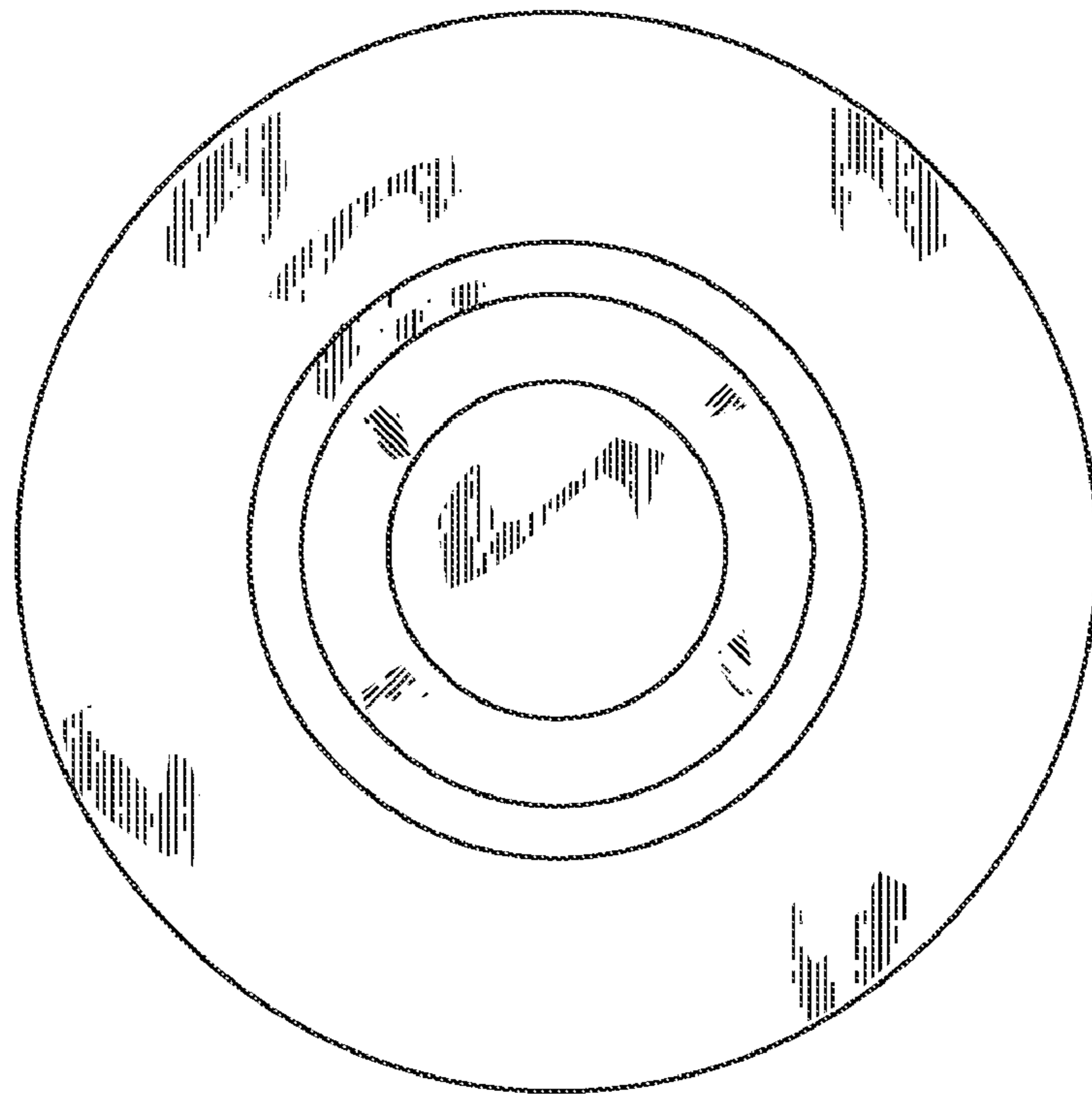


FIG. 3

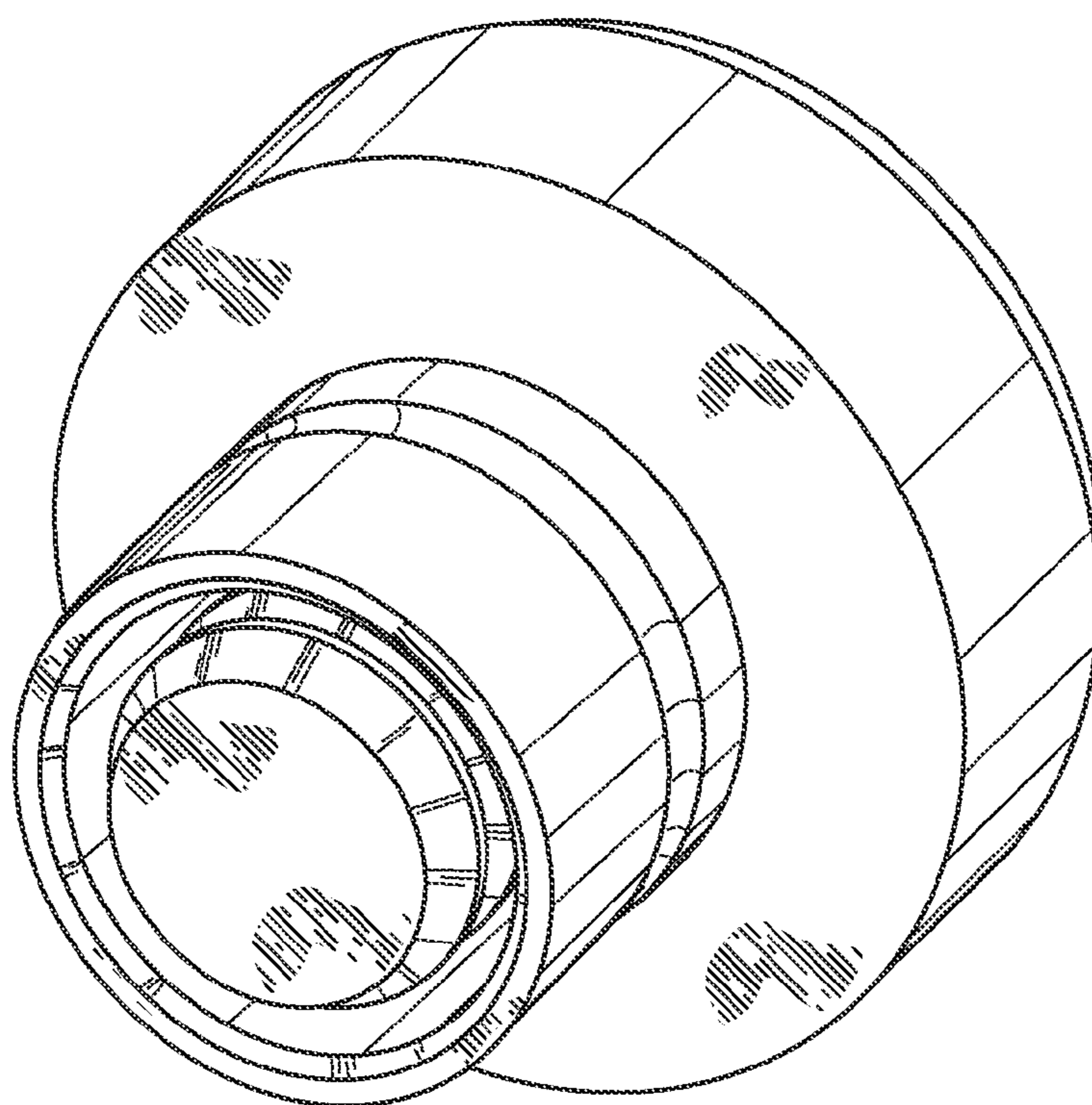


FIG. 4

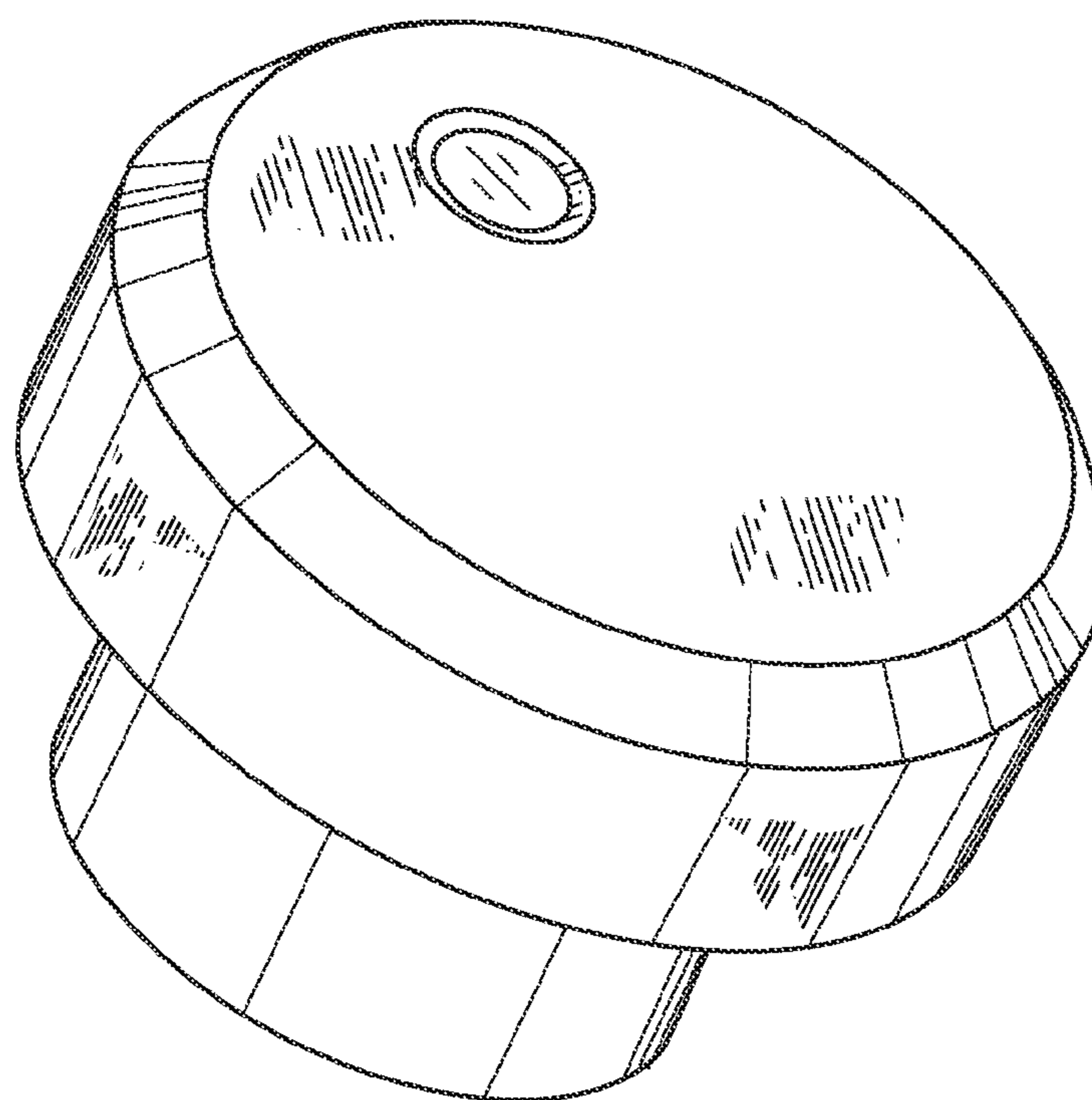


FIG. 5

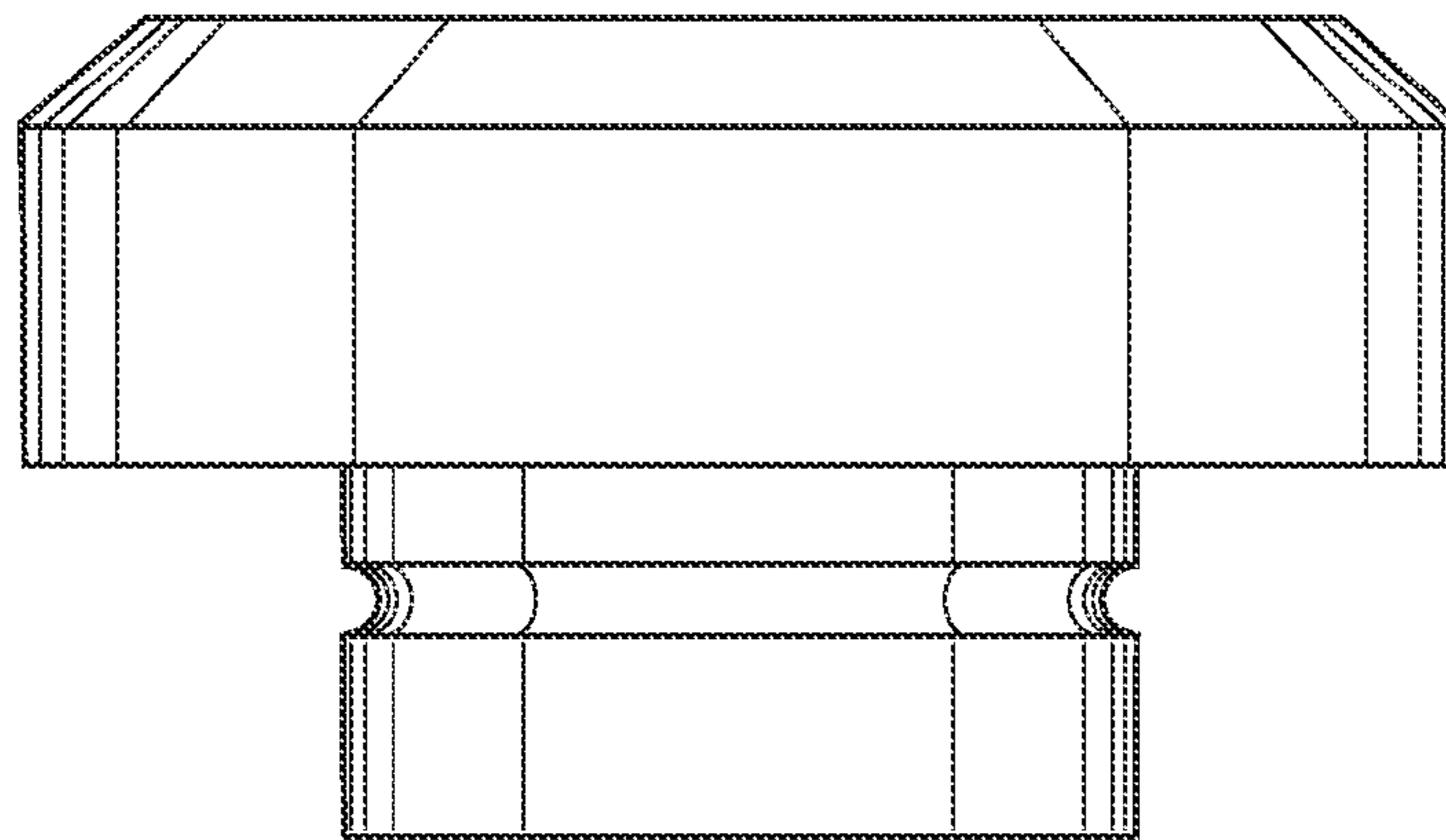


FIG. 6

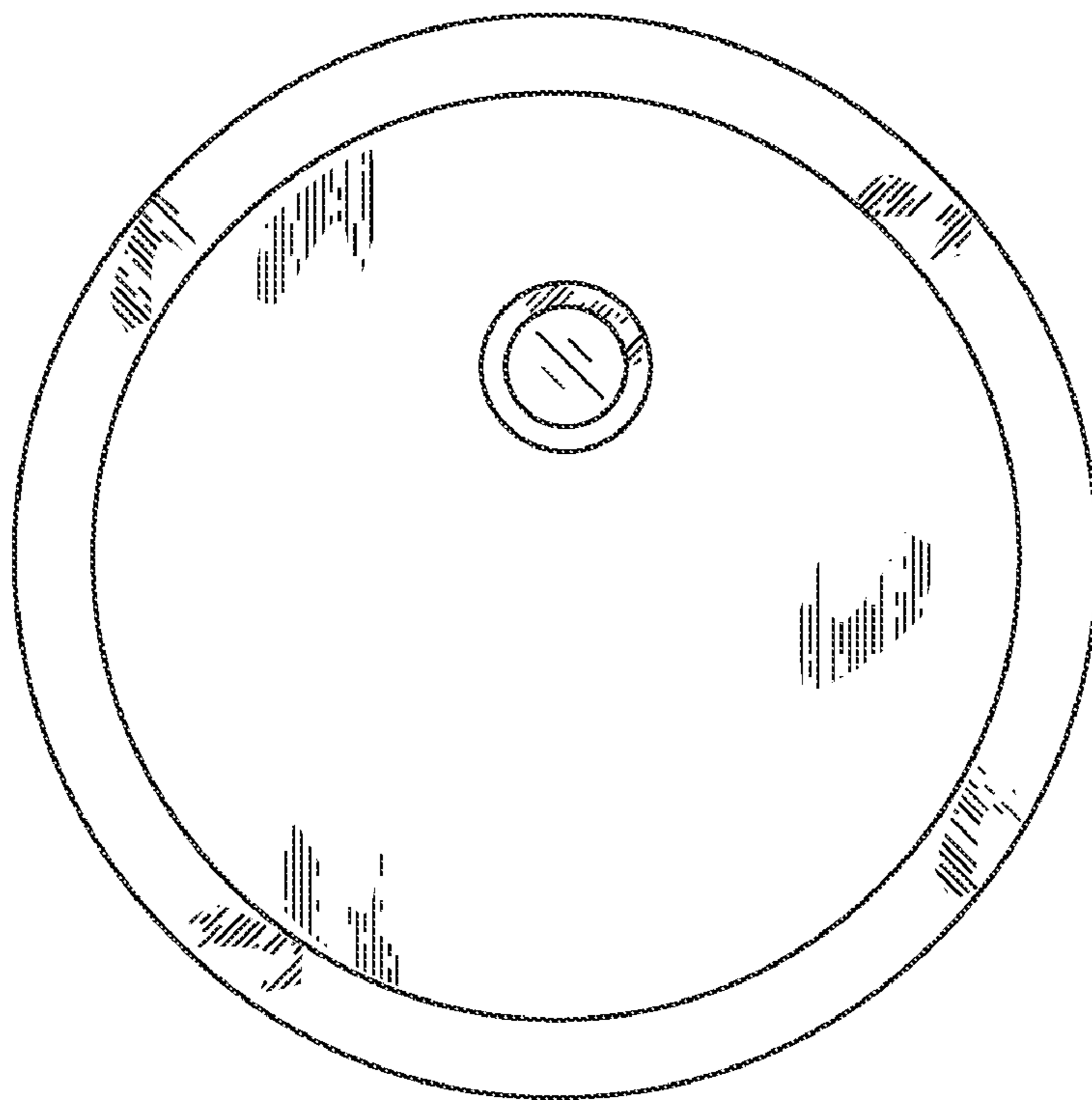


FIG. 7

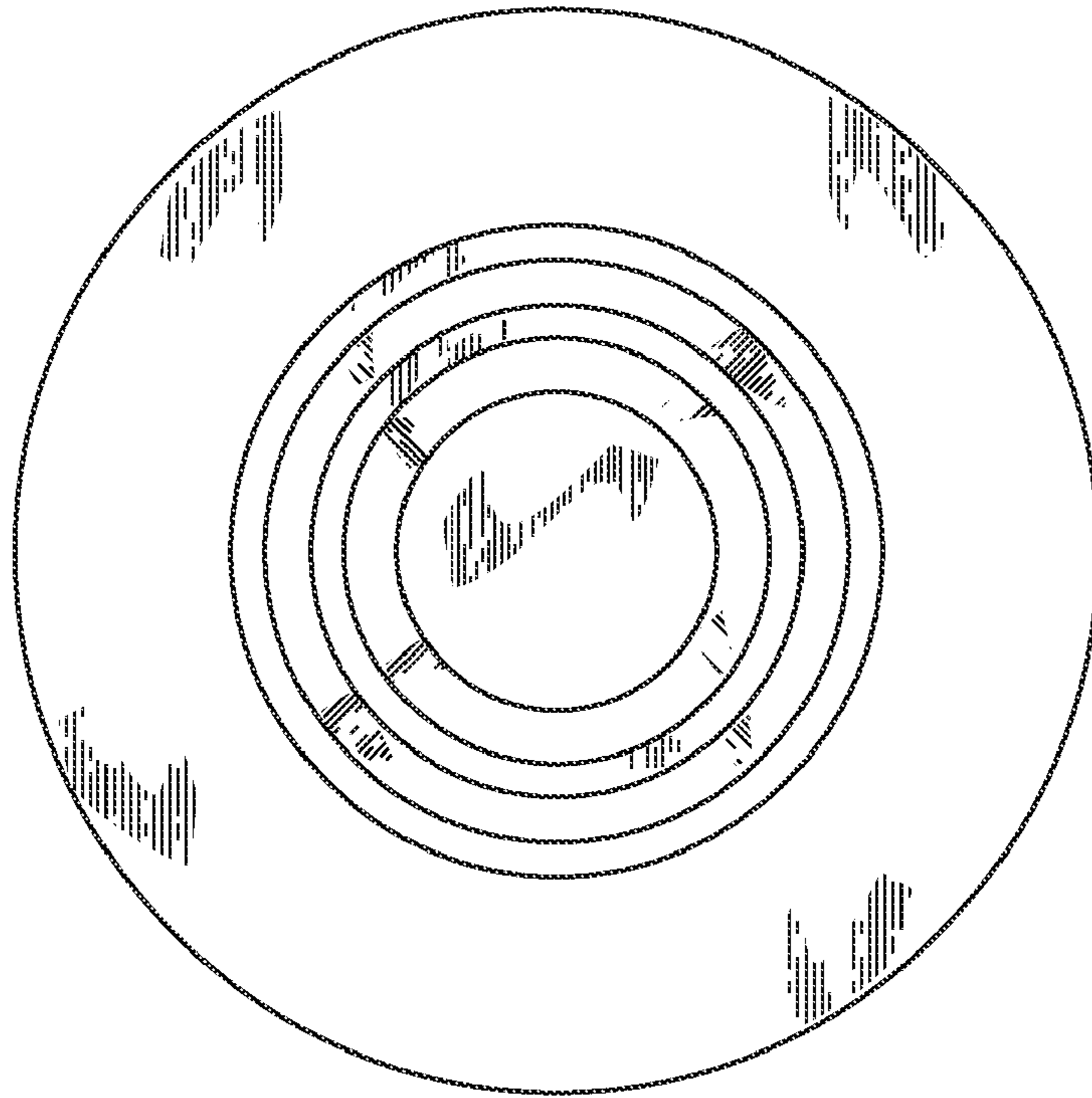


FIG. 8

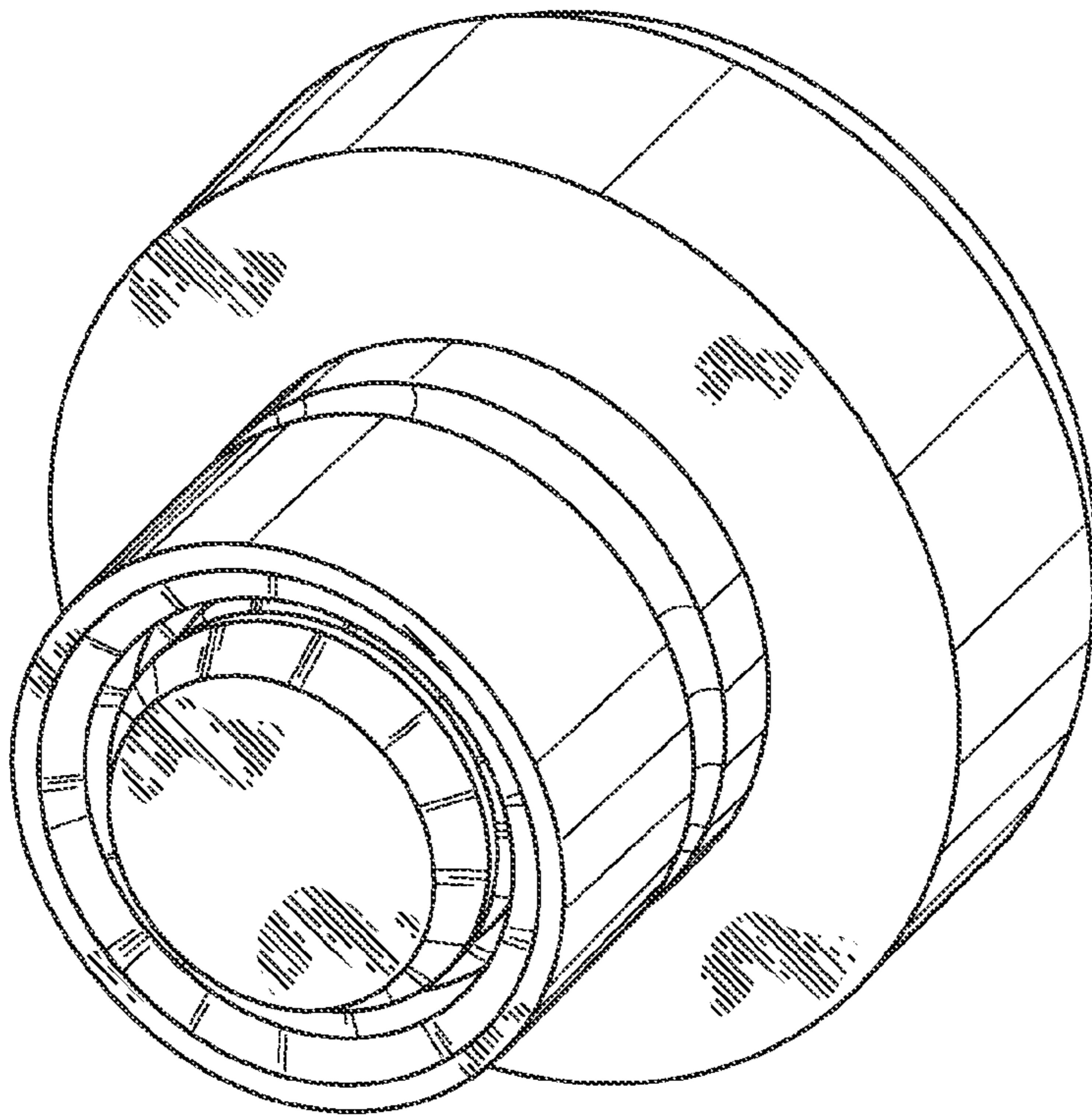


FIG. 9

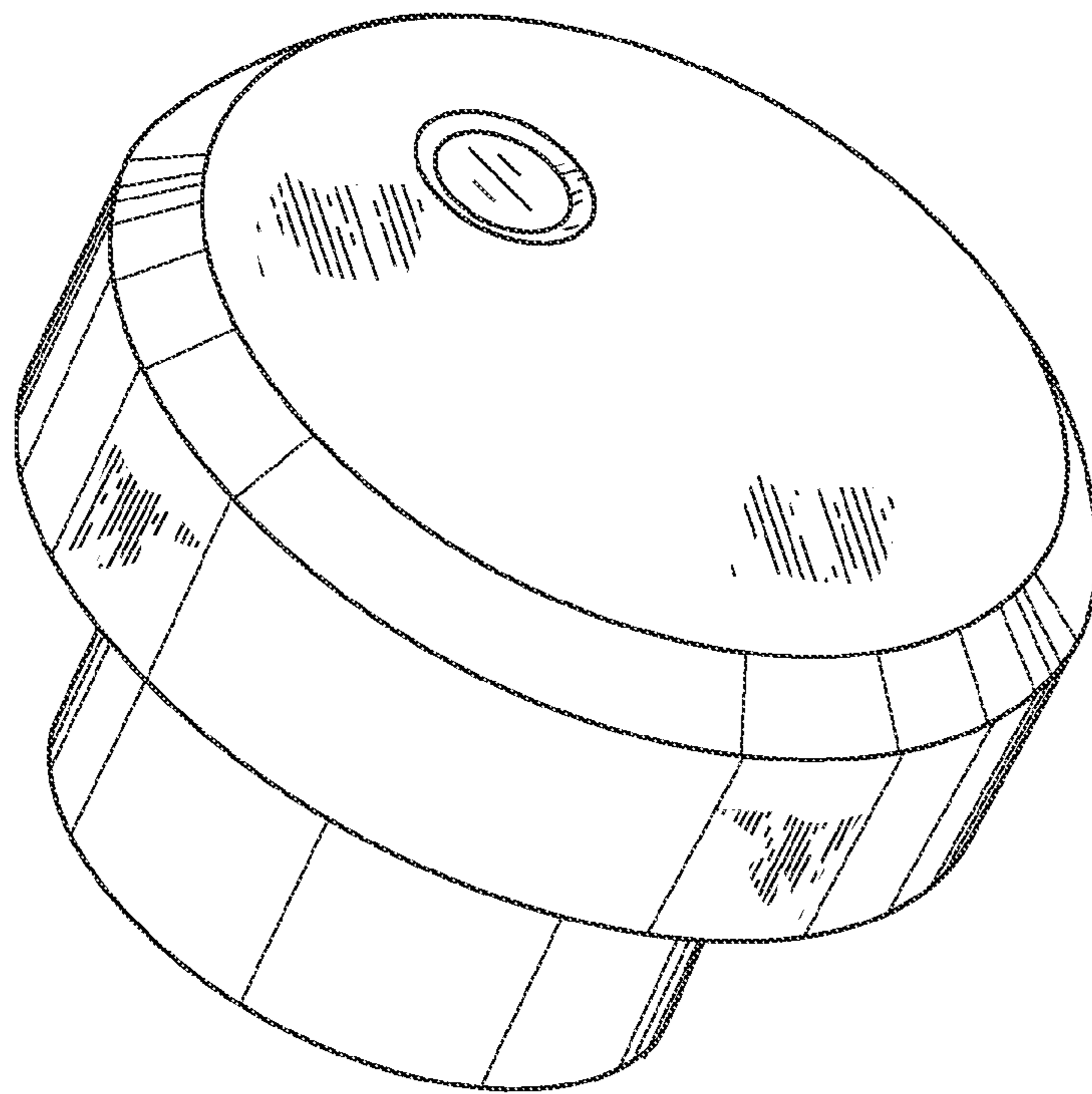


FIG. 10

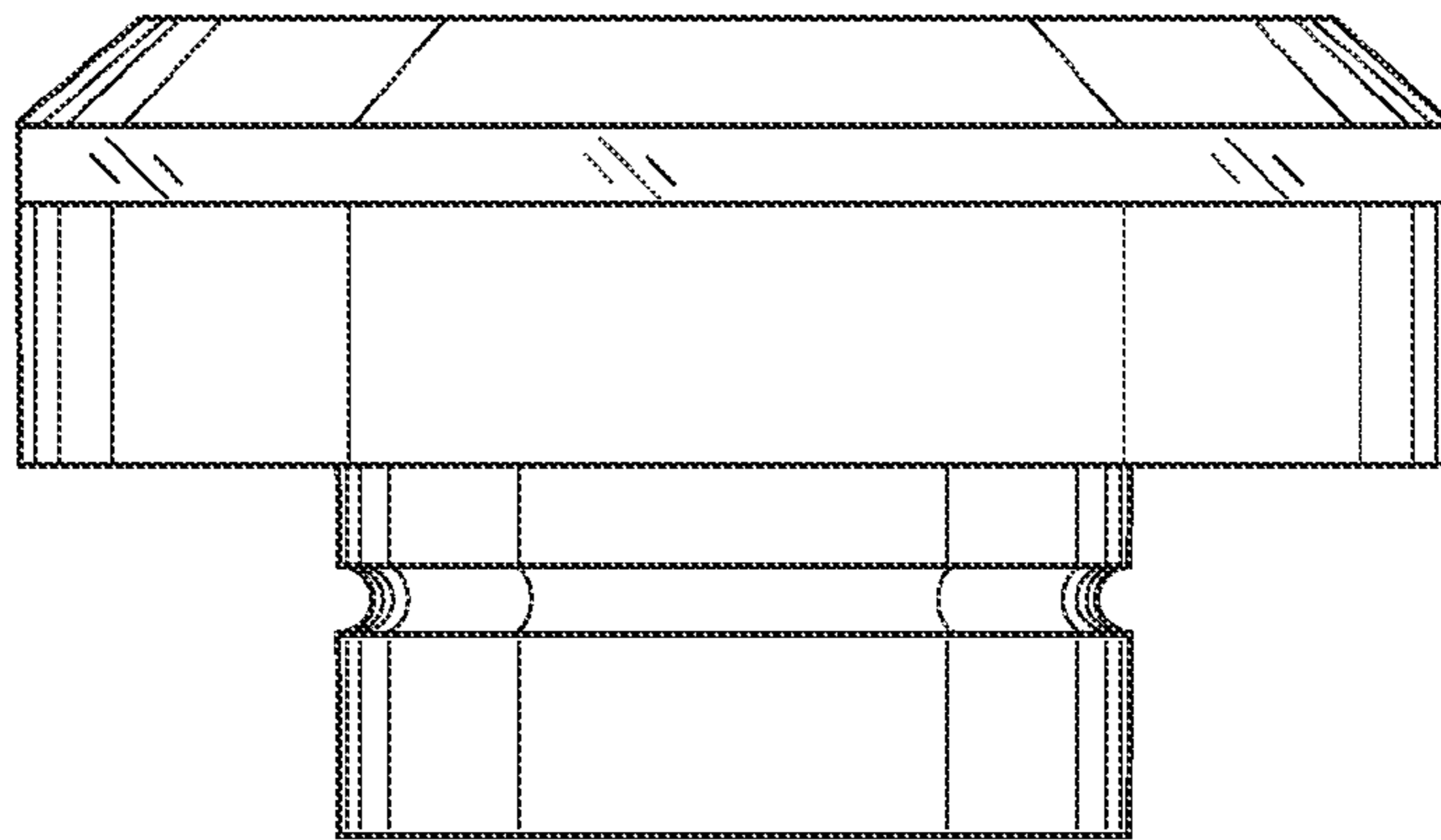


FIG. 11

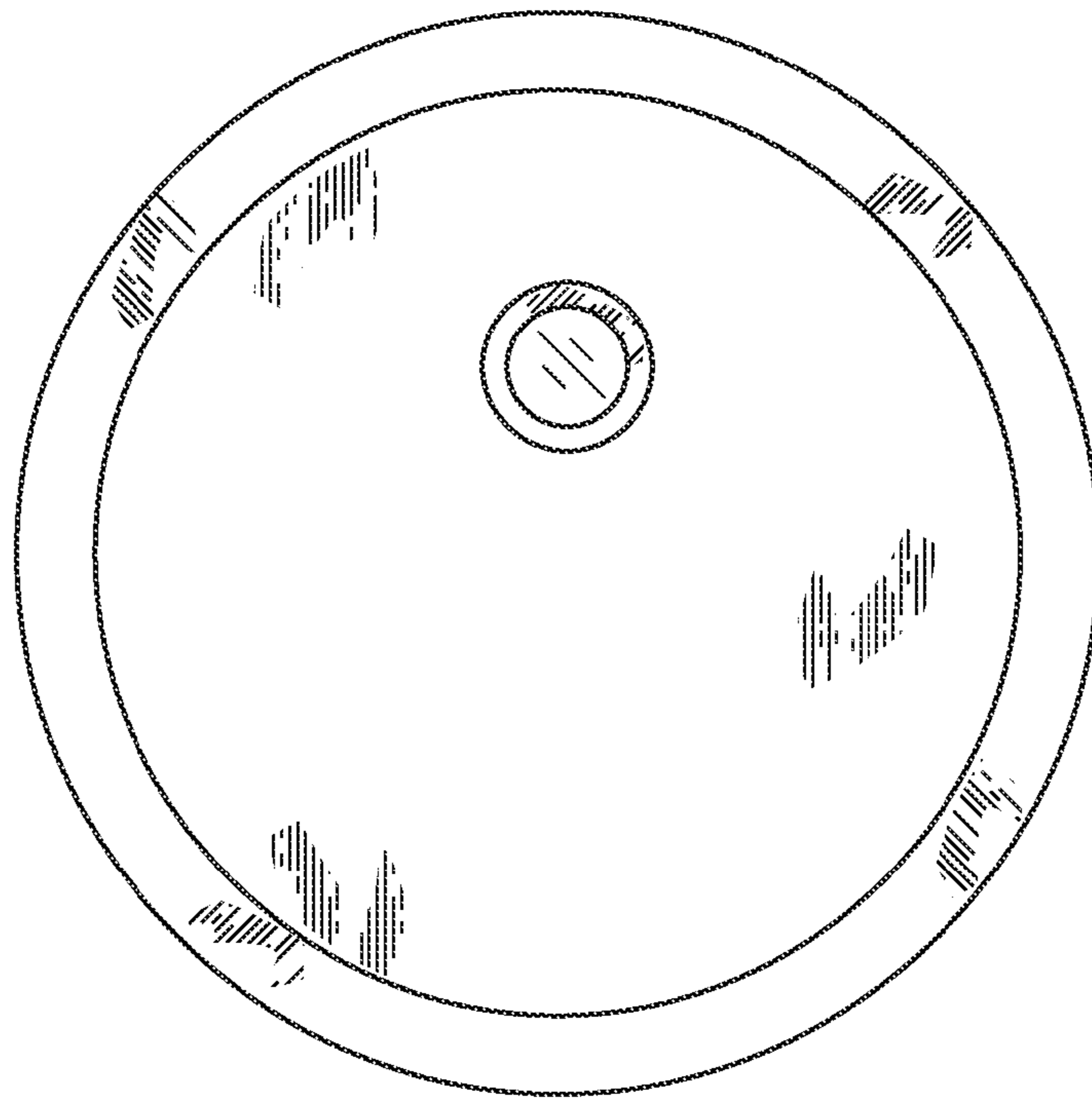


FIG. 12

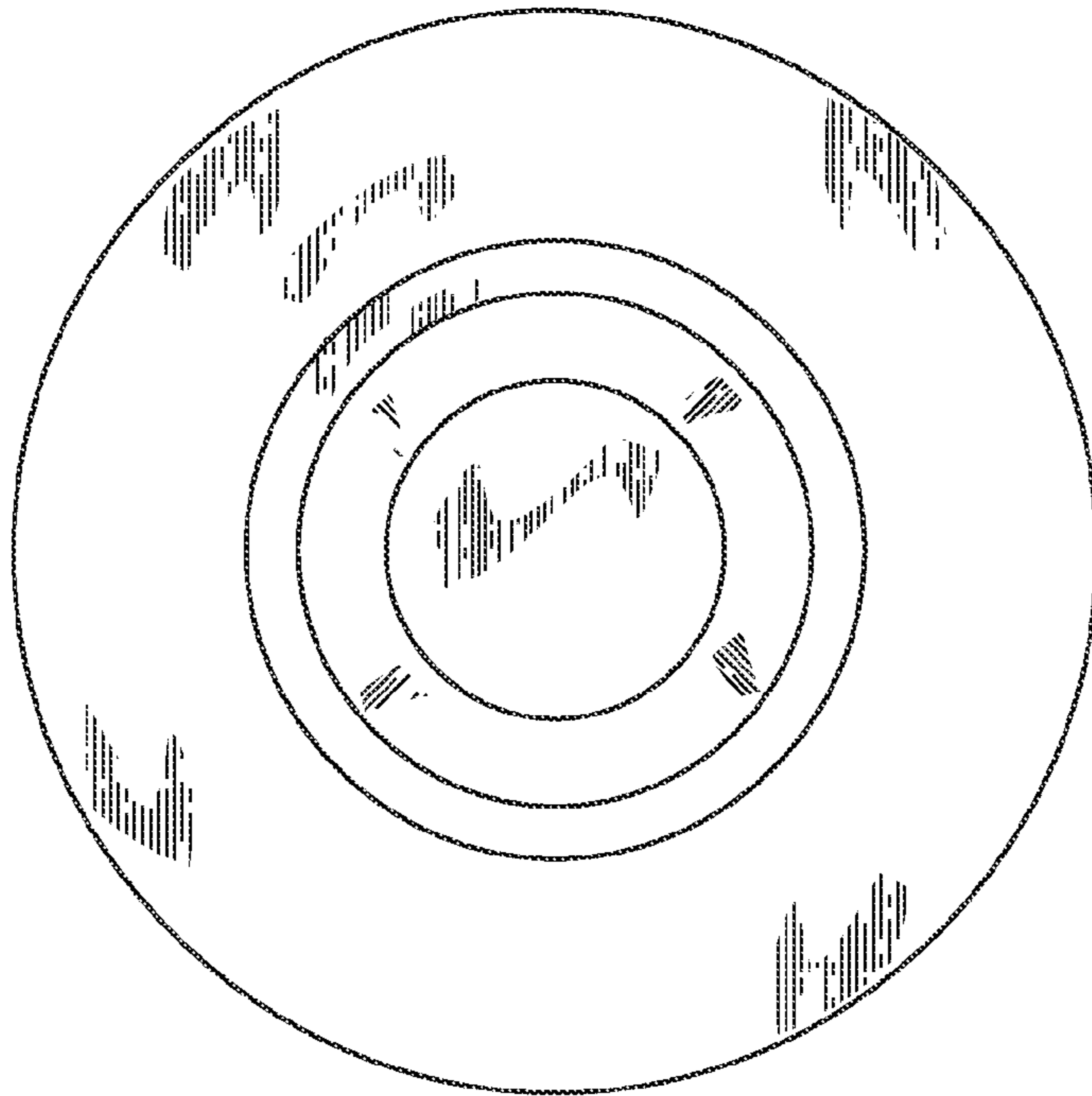


FIG. 13

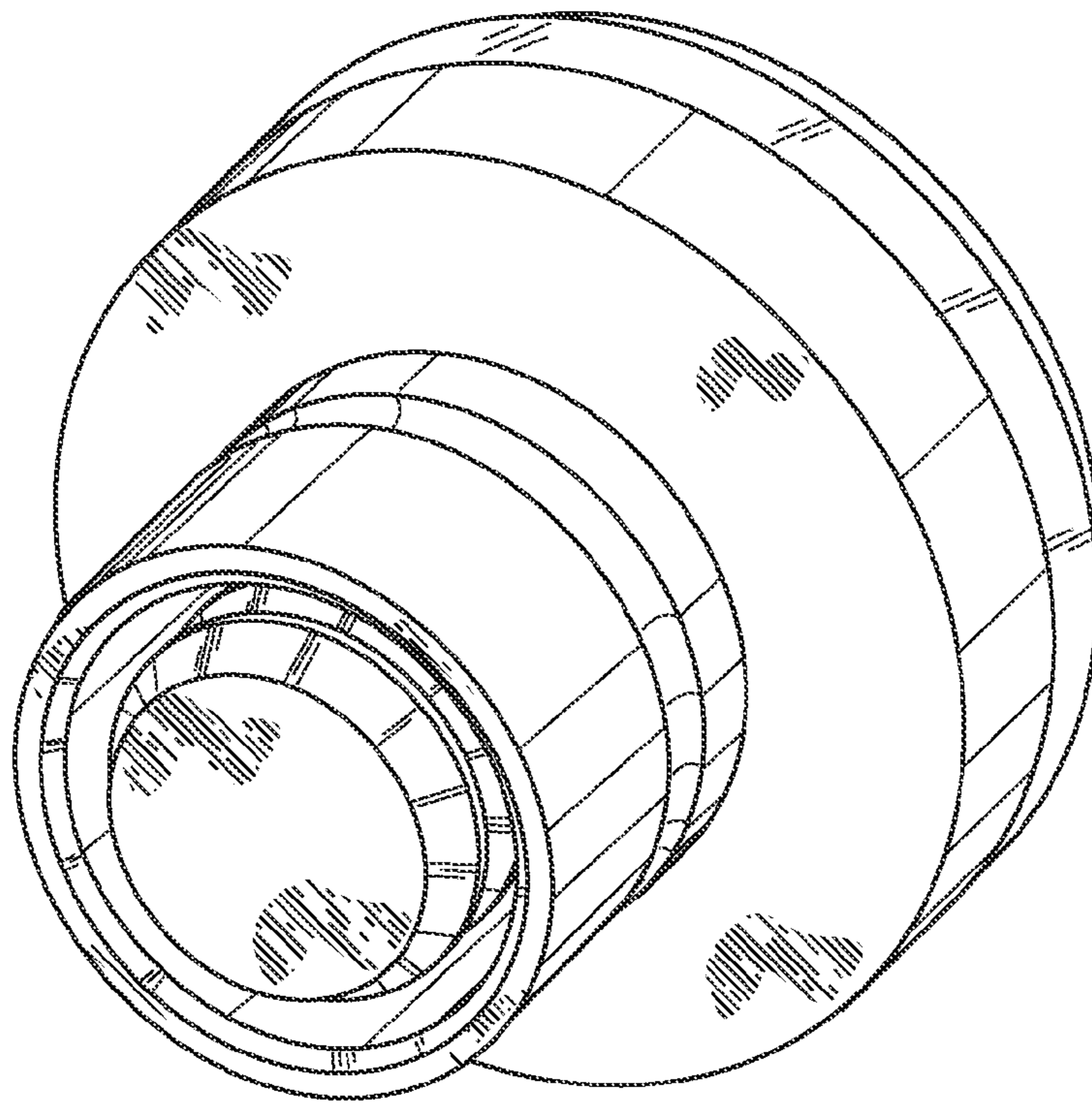


FIG. 14

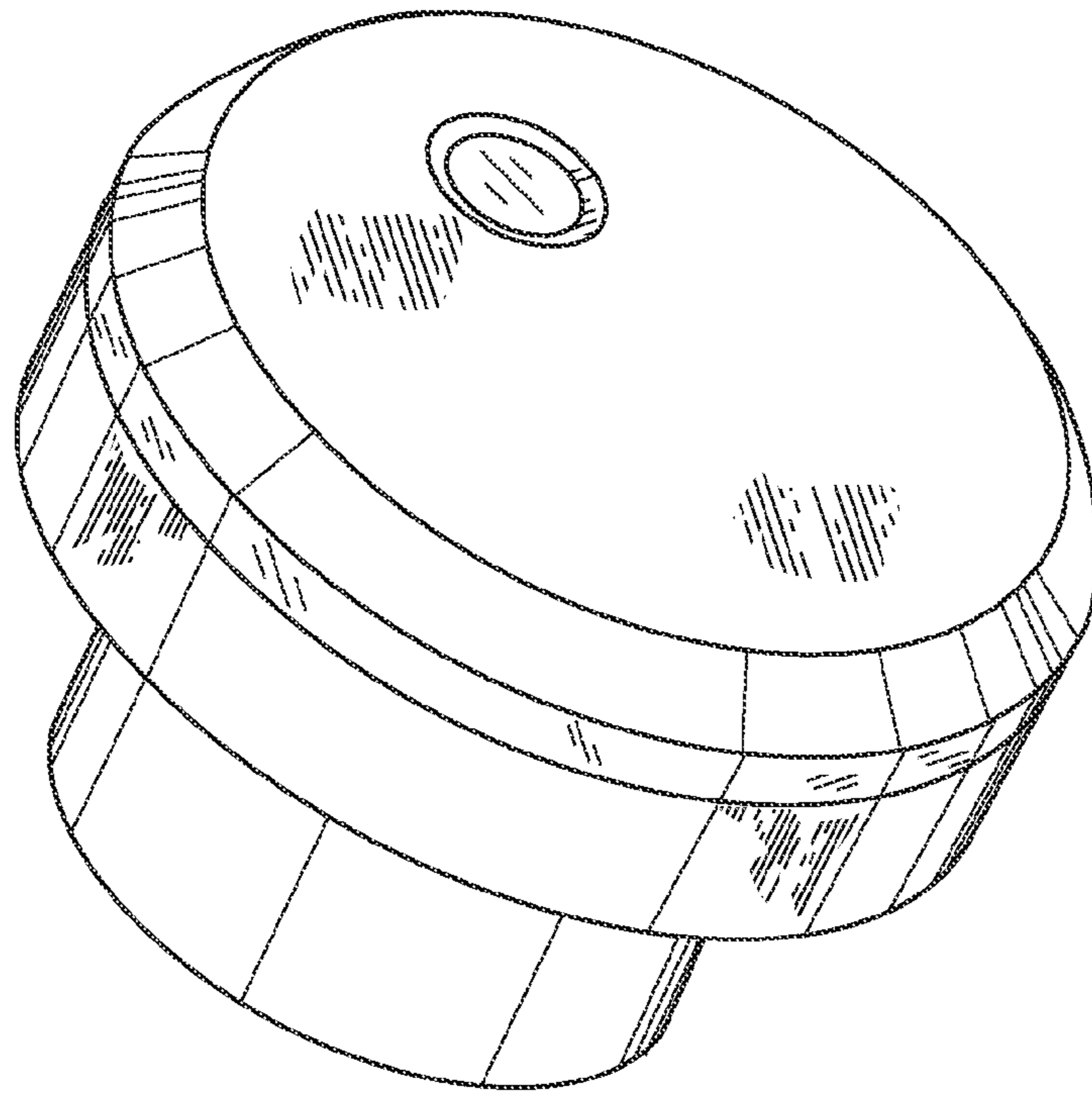


FIG. 15

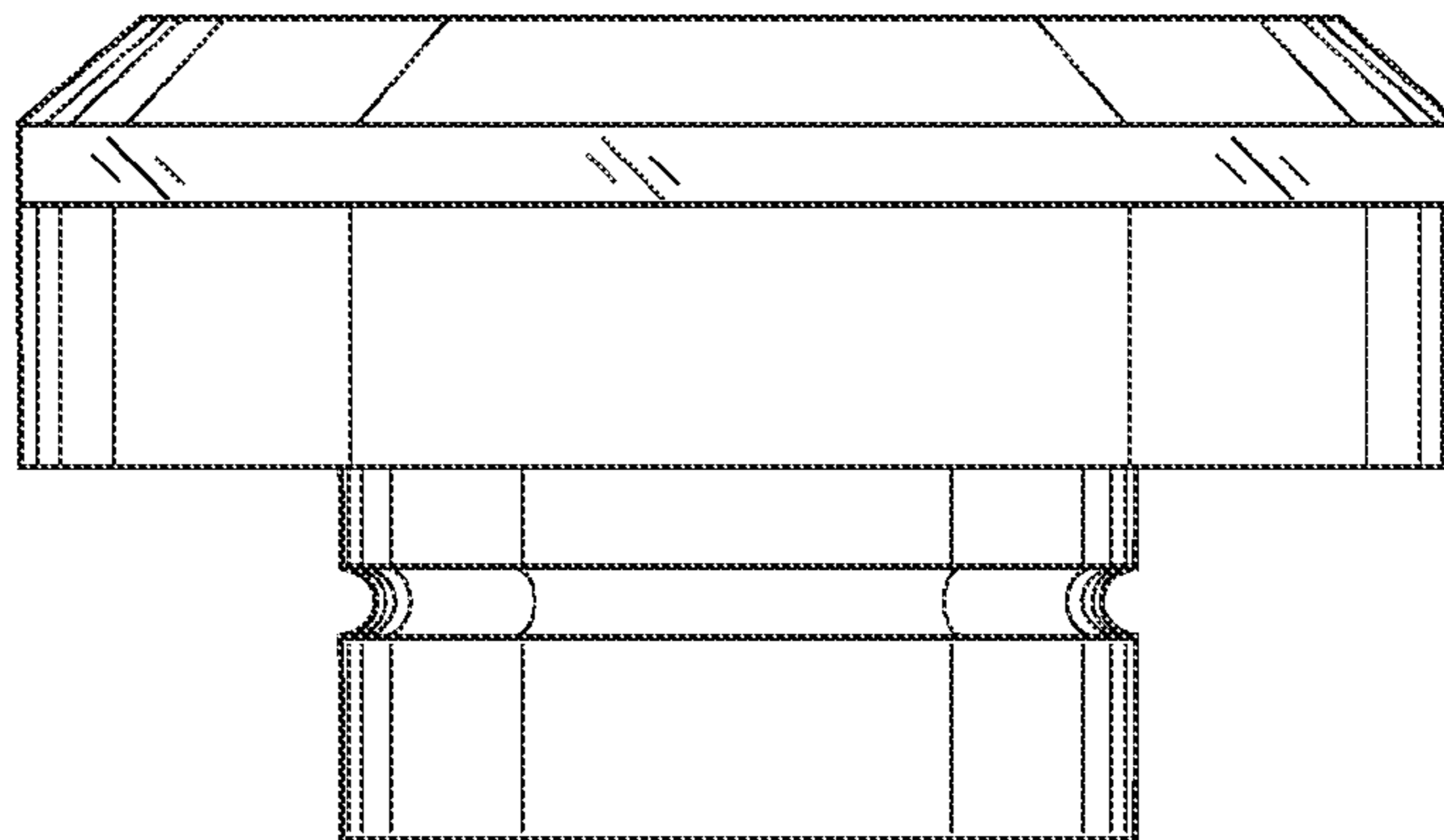


FIG. 16

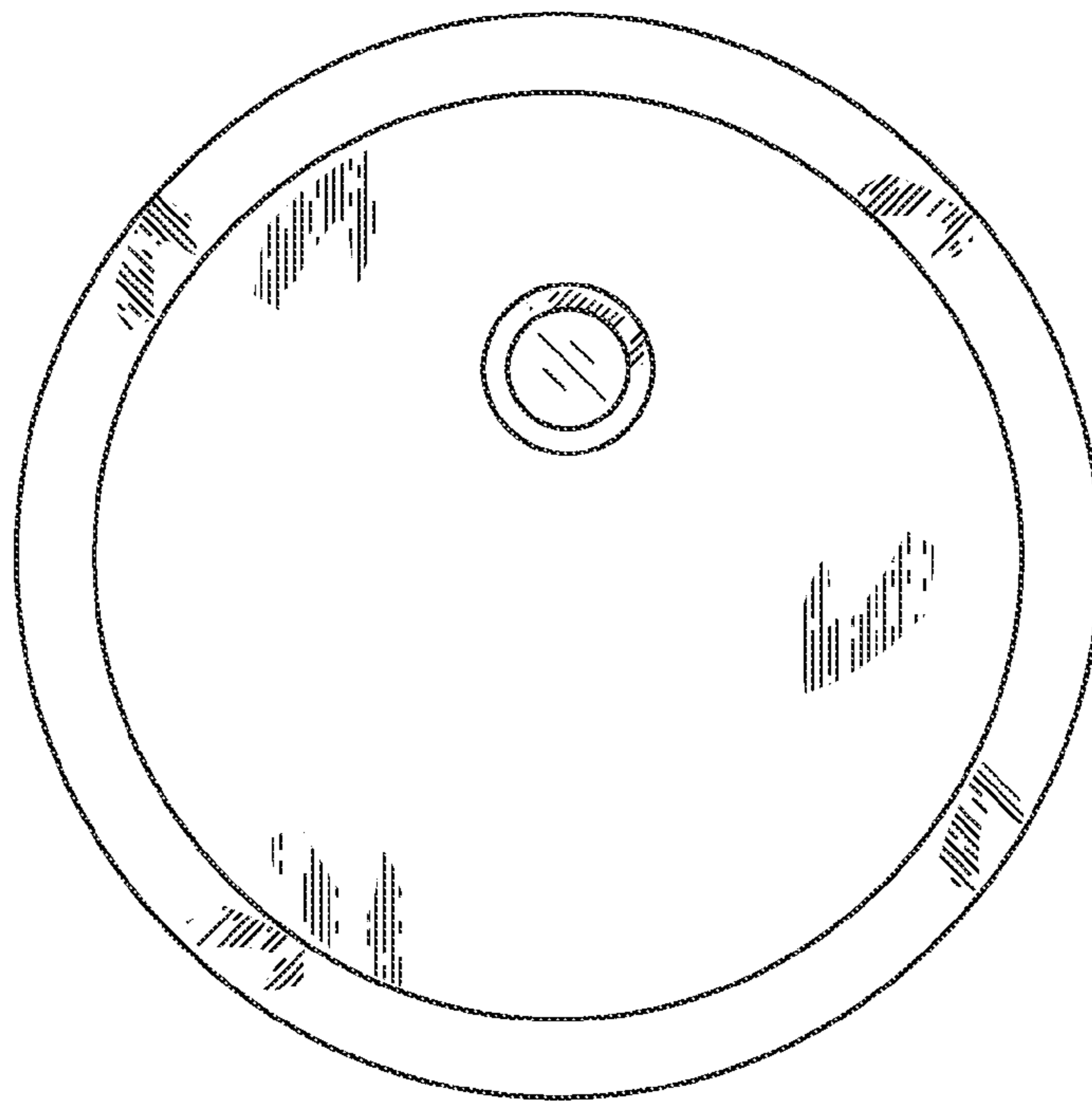


FIG. 17

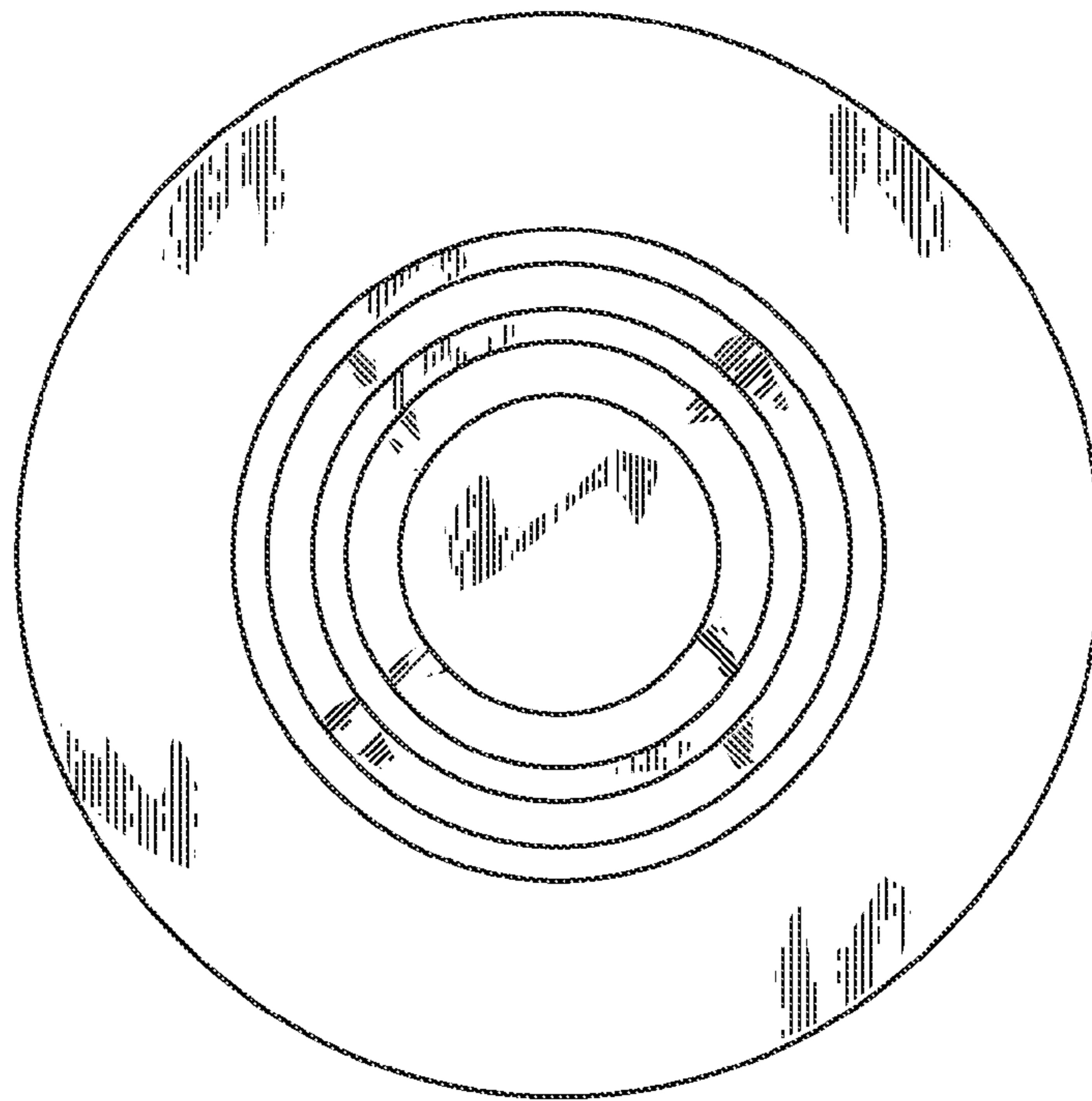


FIG. 18

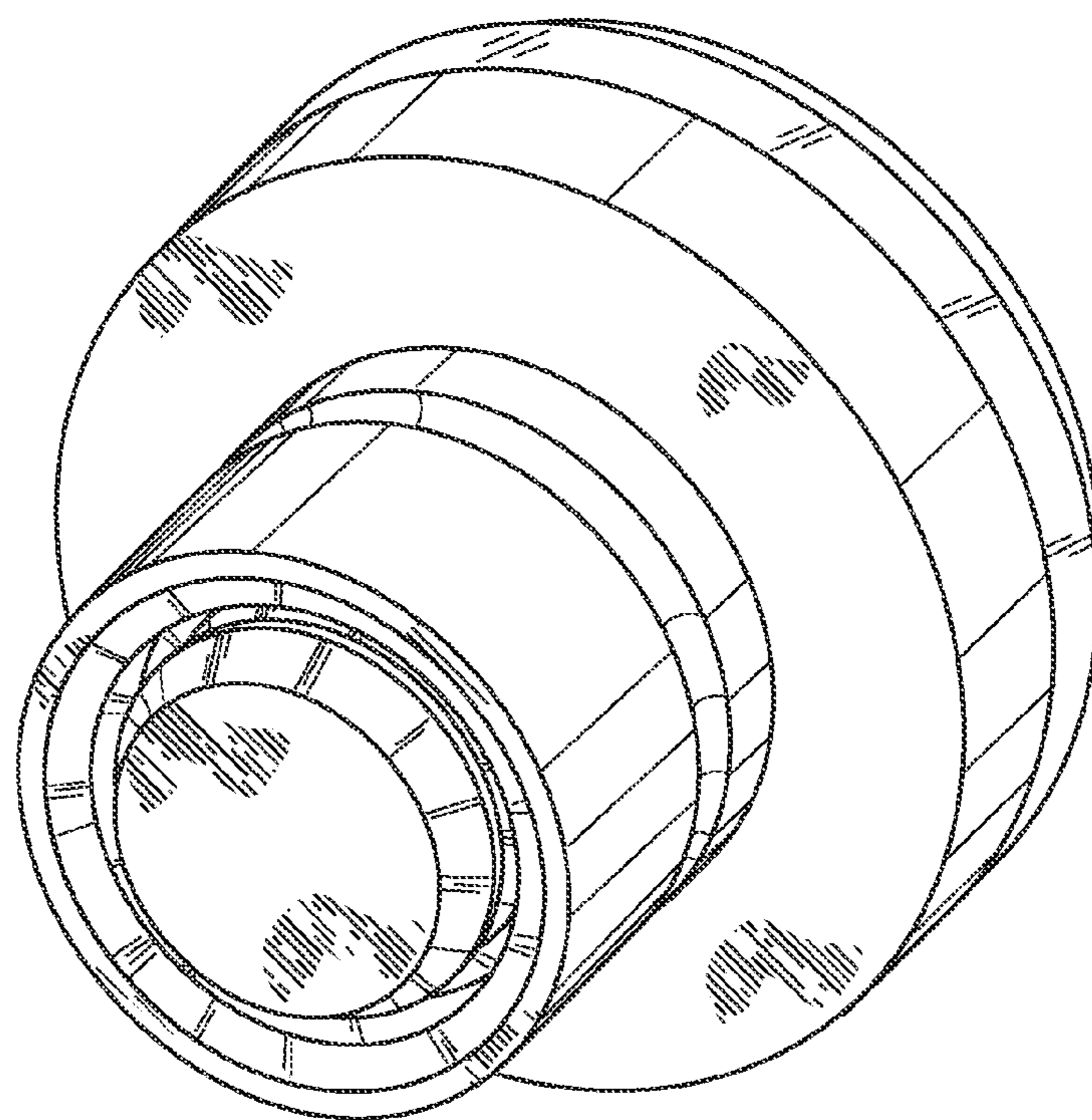


FIG. 19

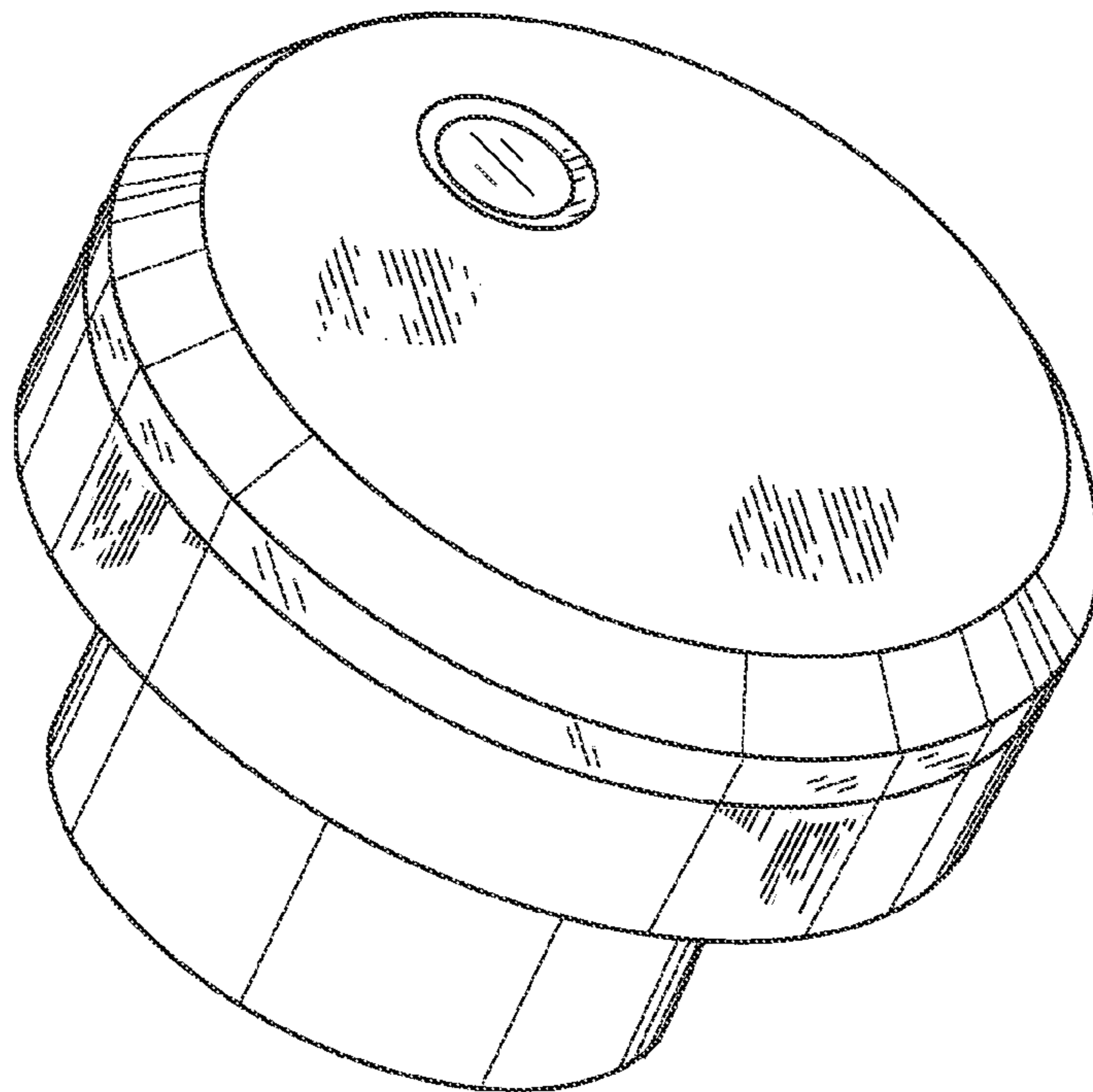


FIG. 20