



US00D670774S

(12) **United States Design Patent**
Seiff

(10) **Patent No.:** **US D670,774 S**

(45) **Date of Patent:** **** Nov. 13, 2012**

(54) **PUTTER HEAD**

(75) Inventor: **Matthew Allen Seiff**, New City, NY
(US)

(73) Assignee: **Matthew A. Seiff**, New City, NY (US)

(**) Term: **14 Years**

(21) Appl. No.: **29/406,331**

(22) Filed: **Nov. 11, 2011**

(51) **LOC (9) Cl.** **21-02**

(52) **U.S. Cl.** **D21/736**

(58) **Field of Classification Search** D21/736-746;
473/324-331, 340-341, 251-256

See application file for complete search history.

(56) **References Cited**

U.S. PATENT DOCUMENTS

4,580,784	A *	4/1986	Brill	473/286
5,127,653	A *	7/1992	Nelson	473/249
D356,613	S *	3/1995	Adams et al.	D21/743
5,916,035	A *	6/1999	Caiozzo	473/252

D565,681	S *	4/2008	Tanaka	D21/736
D573,673	S *	7/2008	Noyes	D21/736
D590,034	S *	4/2009	Foster et al.	D21/744
D603,006	S *	10/2009	Foster et al.	D21/736
D624,978	S *	10/2010	Rollinson	D21/743
D641,441	S *	7/2011	Hilton et al.	D21/743

* cited by examiner

Primary Examiner — Mitchell Siegel

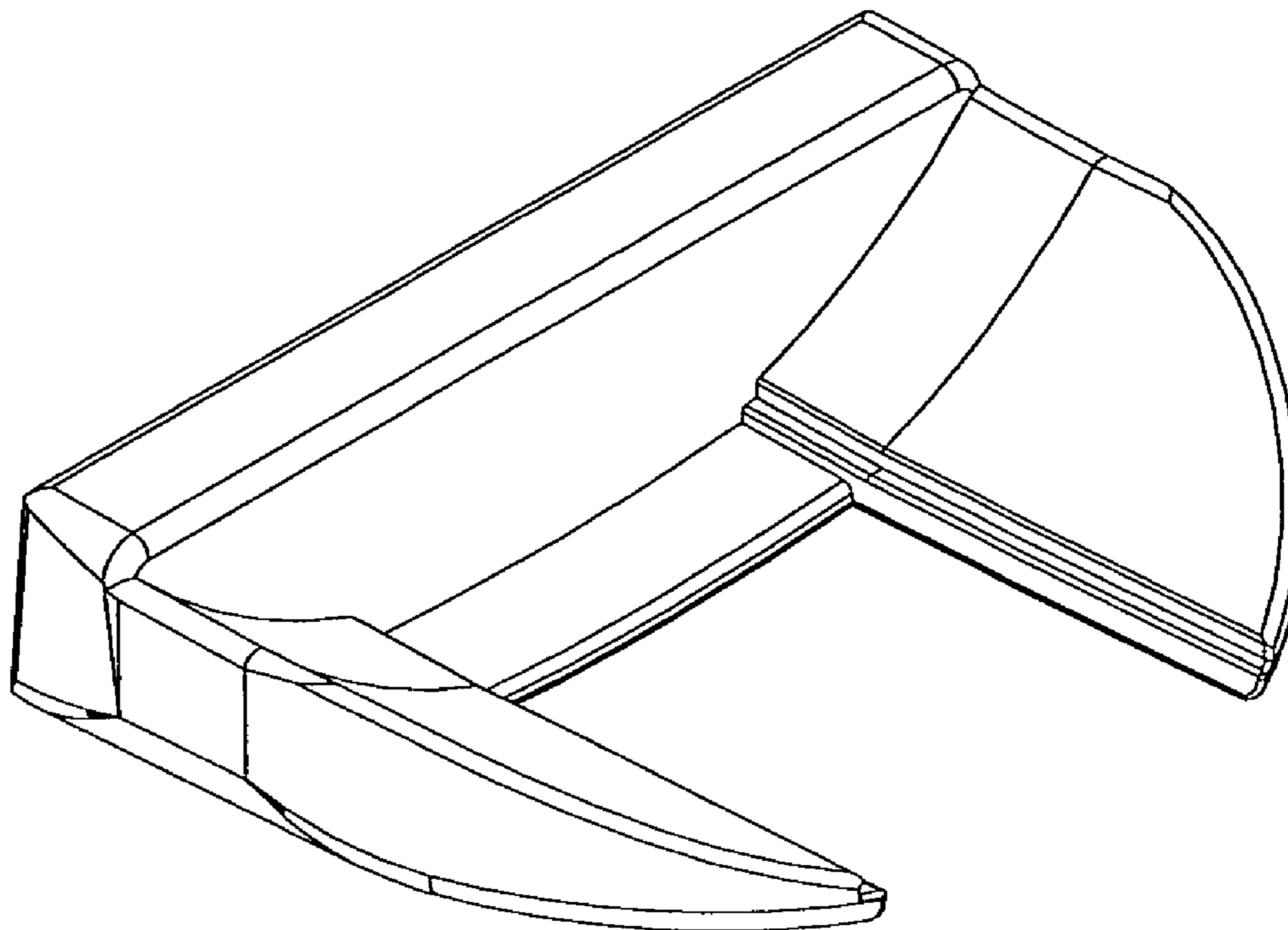
(57) **CLAIM**

The ornamental design for a putter head, as shown and described.

DESCRIPTION

FIG. 1 is a top back perspective view of my new design for a putter head;
FIG. 2 is a top view thereof;
FIG. 3 is a bottom view thereof;
FIG. 4 is a front view thereof;
FIG. 5 is a heel side view thereof;
FIG. 6 is a back view thereof; and,
FIG. 7 is a toe side view thereof.

1 Claim, 3 Drawing Sheets



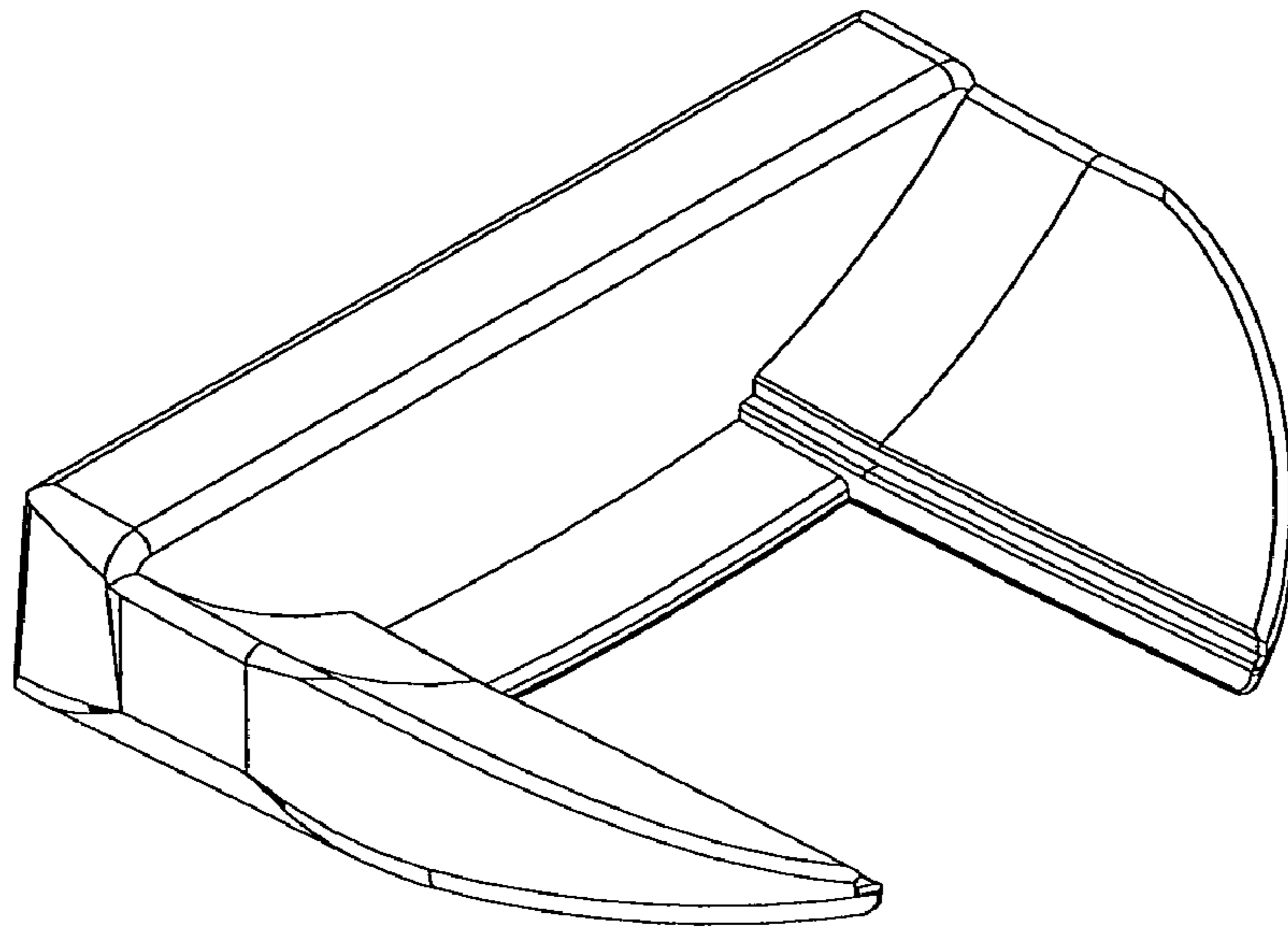


FIG. 1

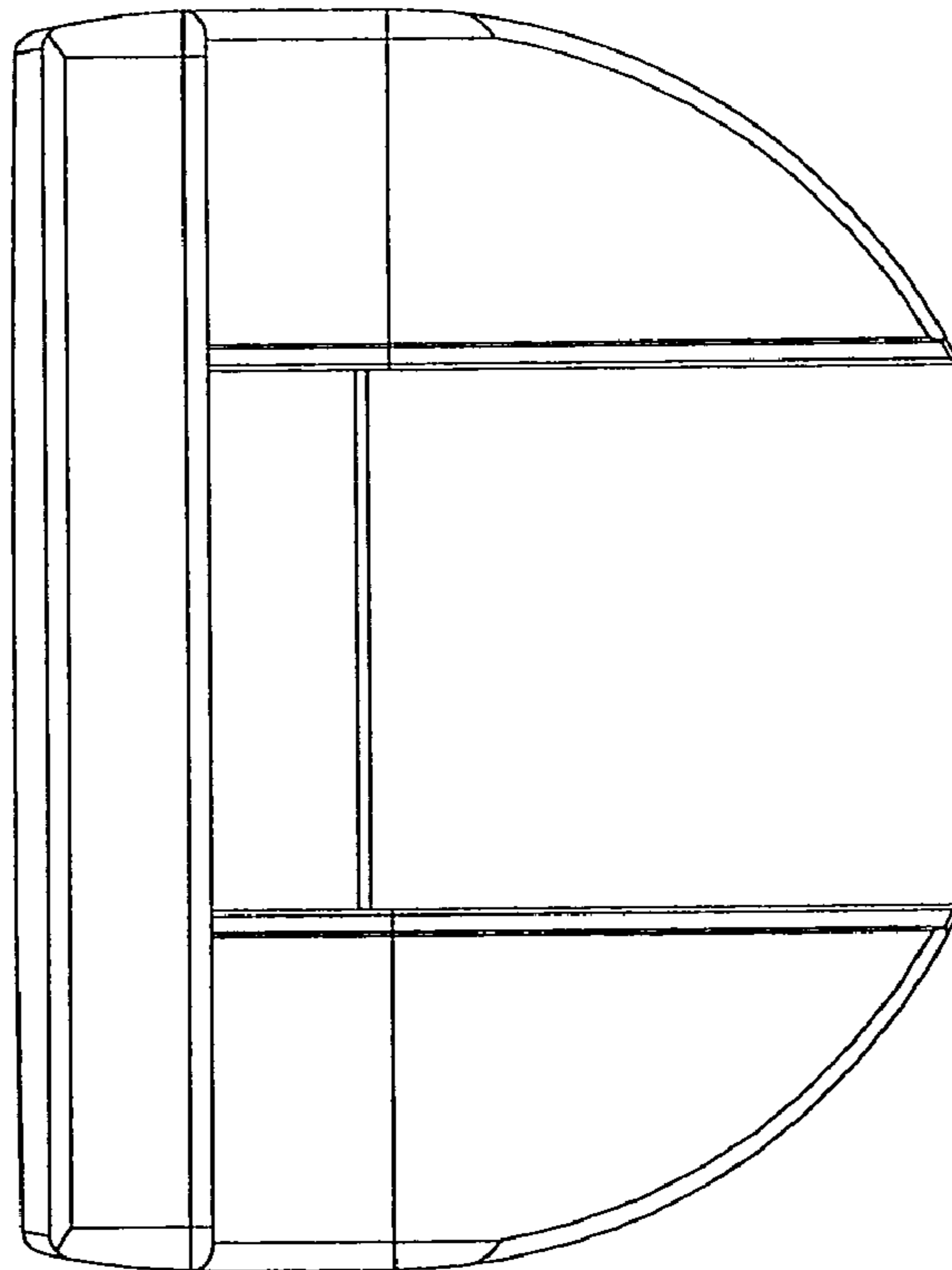


FIG. 2

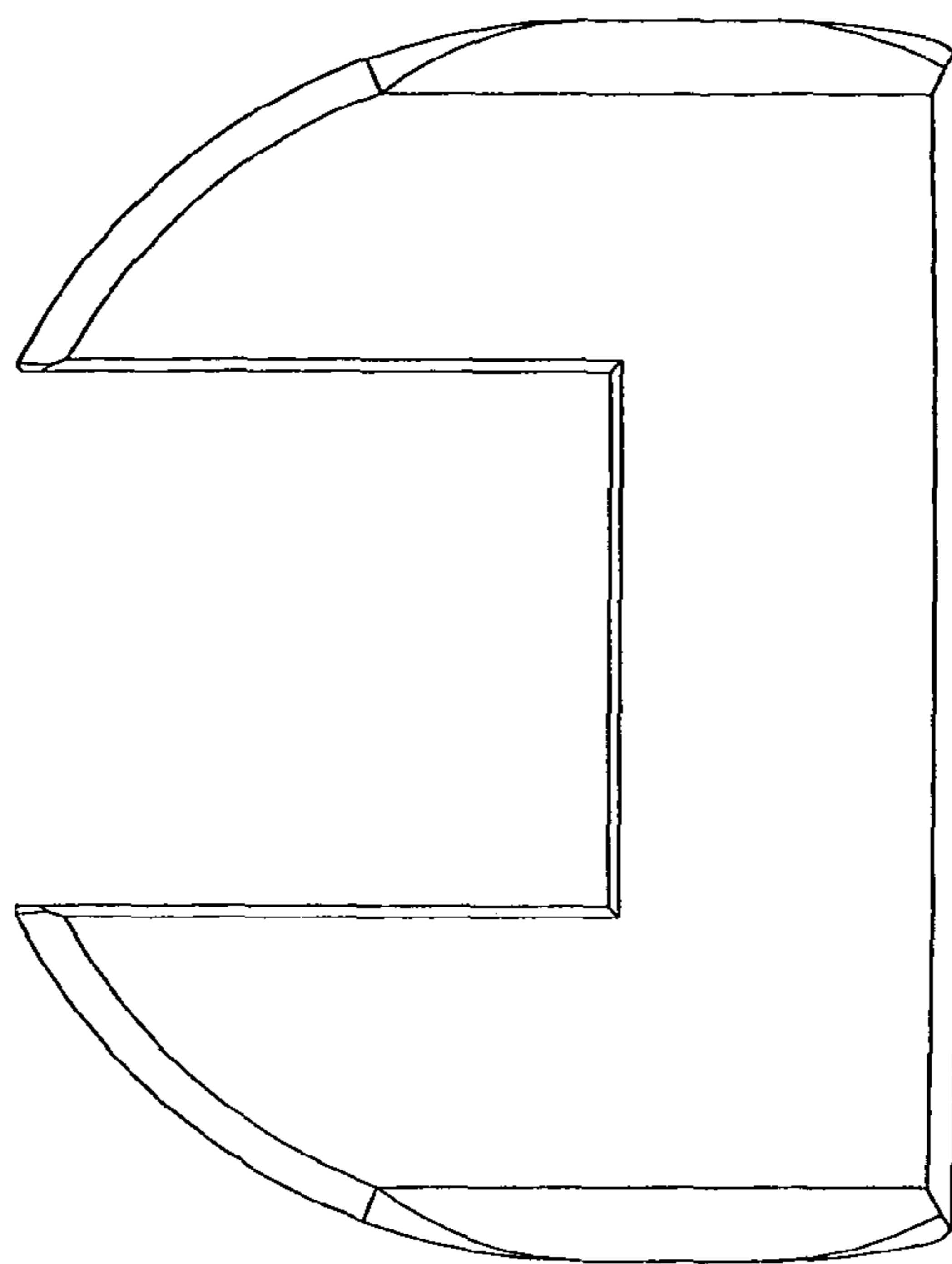


FIG. 3

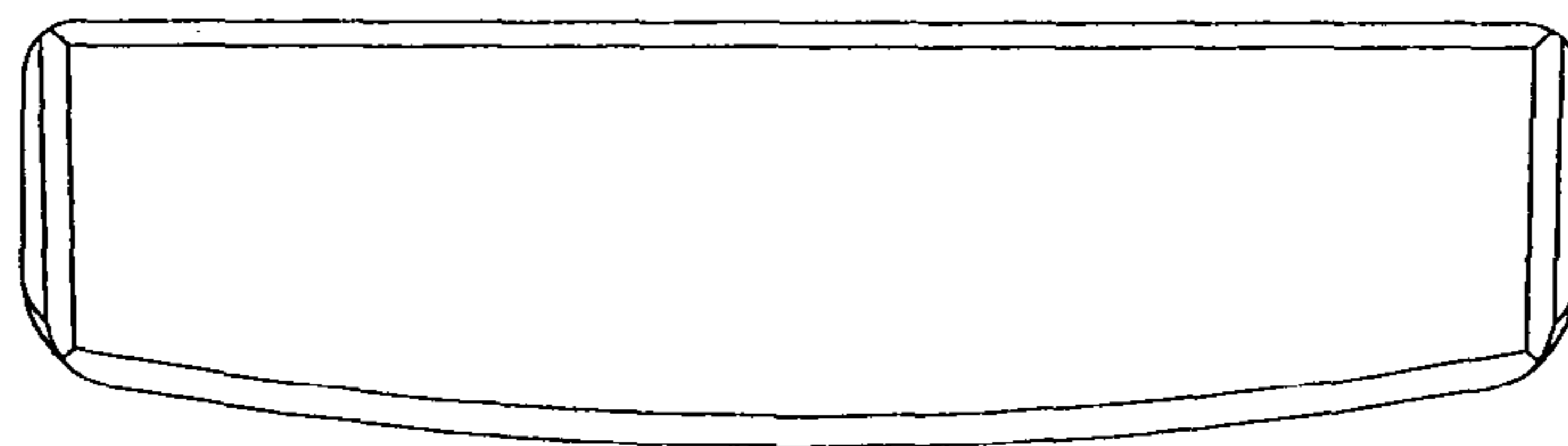


FIG. 4

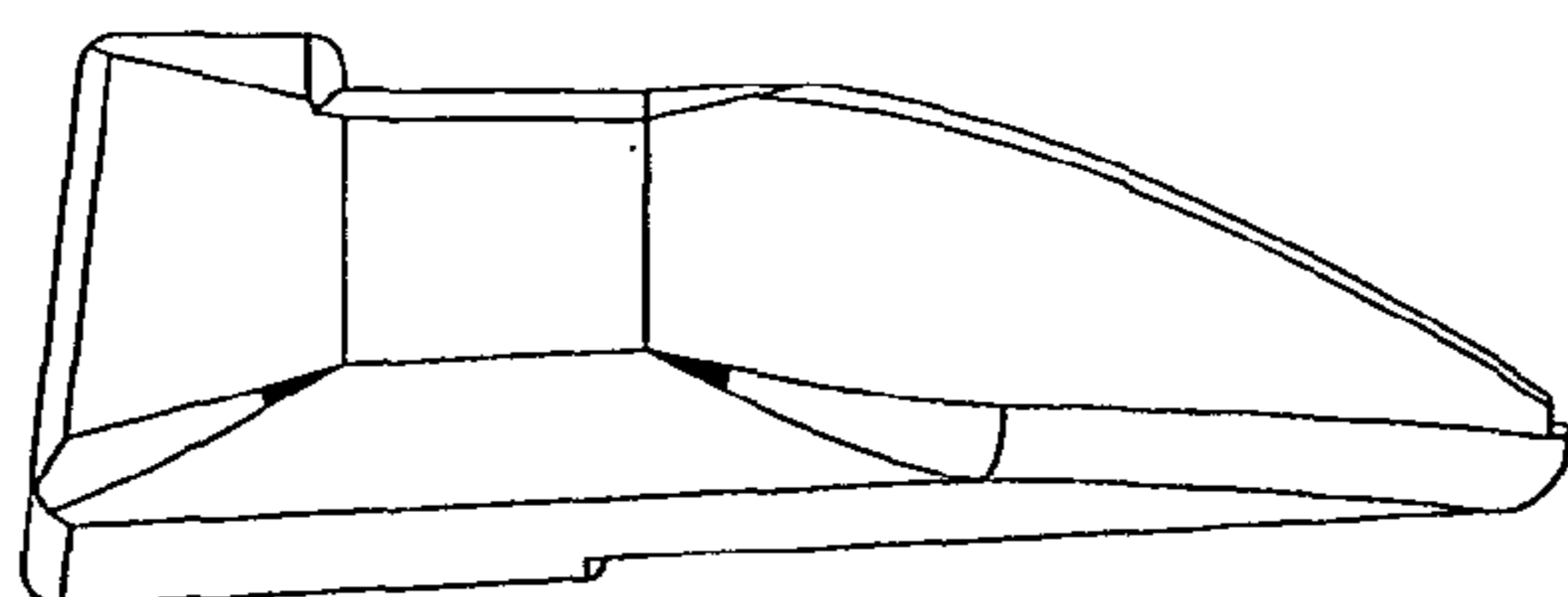


FIG. 5

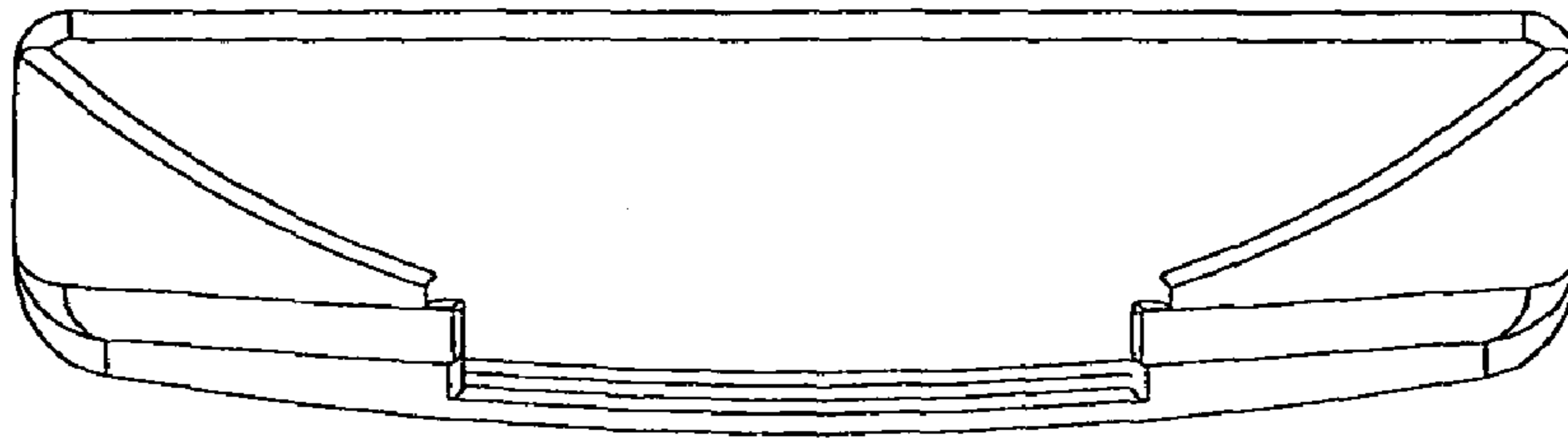


FIG. 6

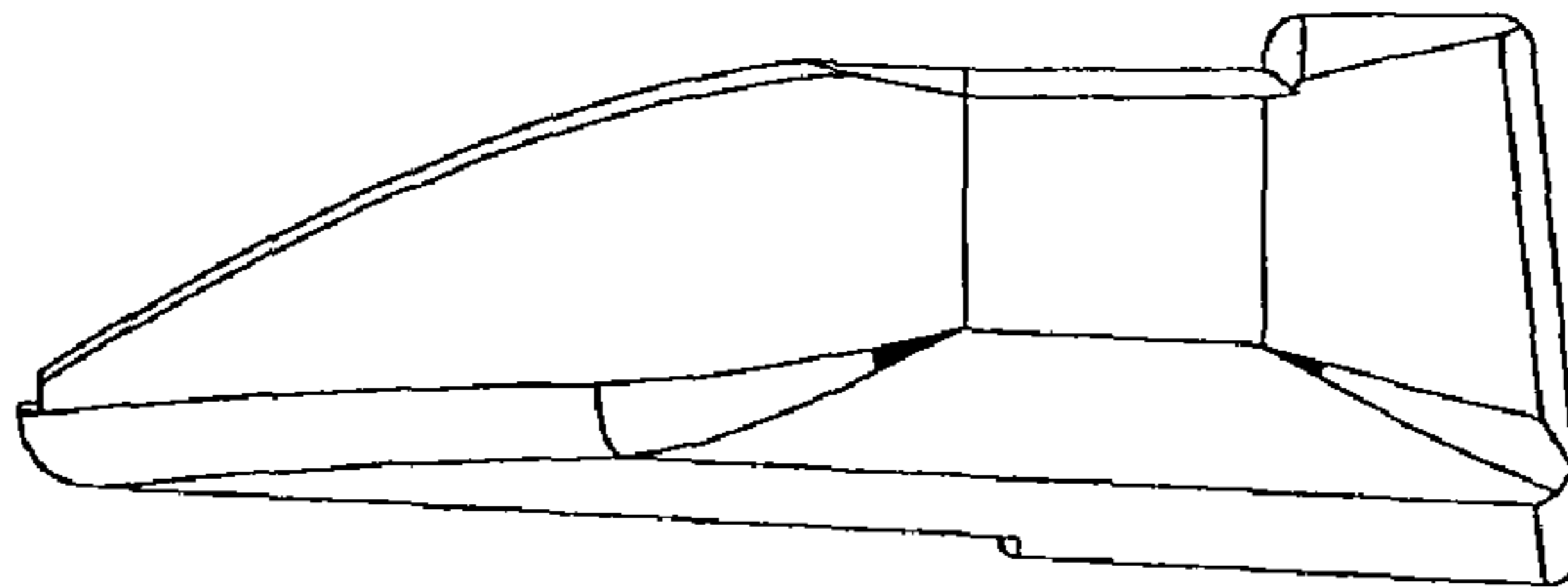


FIG. 7