



US00D670773S

(12) **United States Design Patent**
Kim

(10) **Patent No.:** **US D670,773 S**

(45) **Date of Patent:** **** Nov. 13, 2012**

(54) **DEFORMABLE TOY**

(75) Inventor: **Young-Hwan Kim**, Seoul (KR)

(73) Assignee: **Arthouse Co., Ltd.**, Seoul (KR)

(**) Term: **14 Years**

(21) Appl. No.: **29/388,757**

(22) Filed: **Apr. 1, 2011**

(51) **LOC (9) Cl.** **21-01**

(52) **U.S. Cl.** **D21/618**

(58) **Field of Classification Search** D21/576,
D21/578-585, 617-618; D6/598; 446/72,
446/97, 268-269; D30/160; D11/158

See application file for complete search history.

(56) **References Cited**

U.S. PATENT DOCUMENTS

D219,986 S * 2/1971 Horwitz et al. D11/158
D233,354 S * 10/1974 Krumholtz et al. D21/618

D240,387 S * 7/1976 Downey D7/595
D316,432 S * 4/1991 Stephenson et al. D21/618
D359,084 S * 6/1995 Bertrand D21/618

* cited by examiner

Primary Examiner — Sandra Morris

(74) *Attorney, Agent, or Firm* — Sherr & Jiang, PLLC

(57) **CLAIM**

The ornamental design for a “deformable toy,” as shown and described.

DESCRIPTION

FIG. 1 is a perspective view of a deformable toy, showing my new design;

FIG. 2 is a front view thereof;

FIG. 3 is a rear view thereof;

FIG. 4 is a left side view thereof;

FIG. 5 is a right side view thereof;

FIG. 6 is a top view thereof;

FIG. 7 is a bottom view thereof; and,

FIG. 8 is a perspective view thereof, showing the design in an alternative configuration.

1 Claim, 8 Drawing Sheets

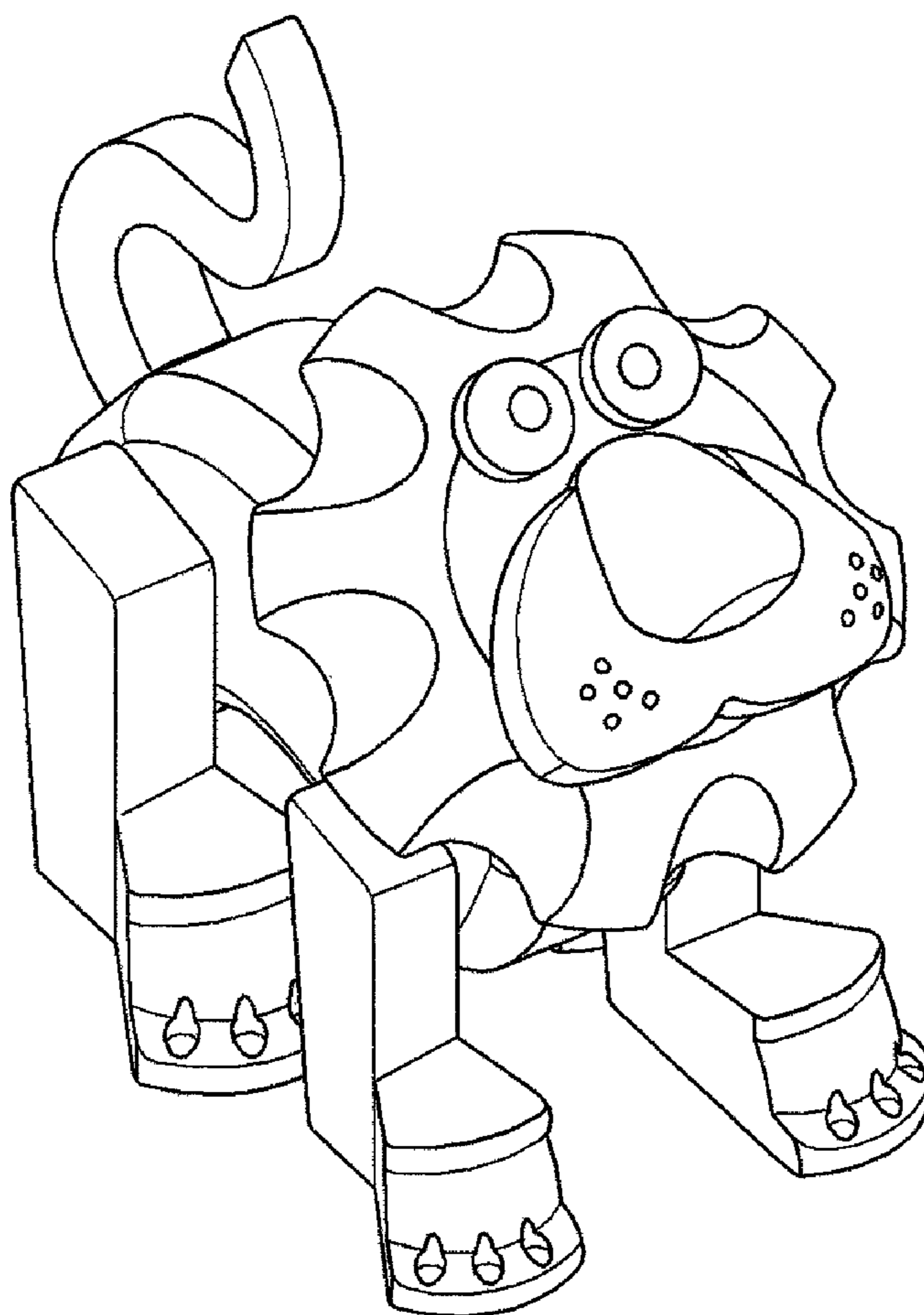


FIG. 1

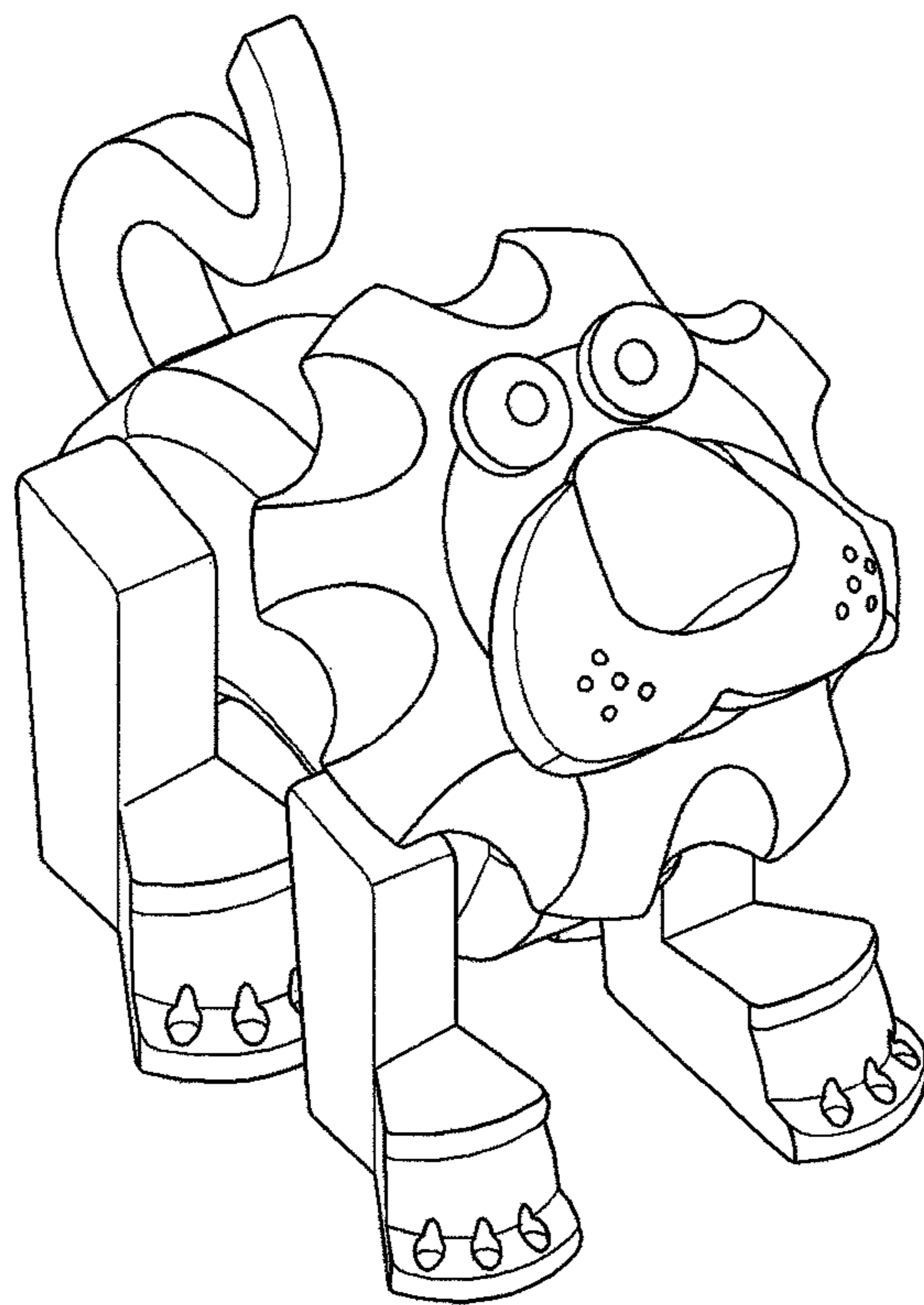


FIG. 2

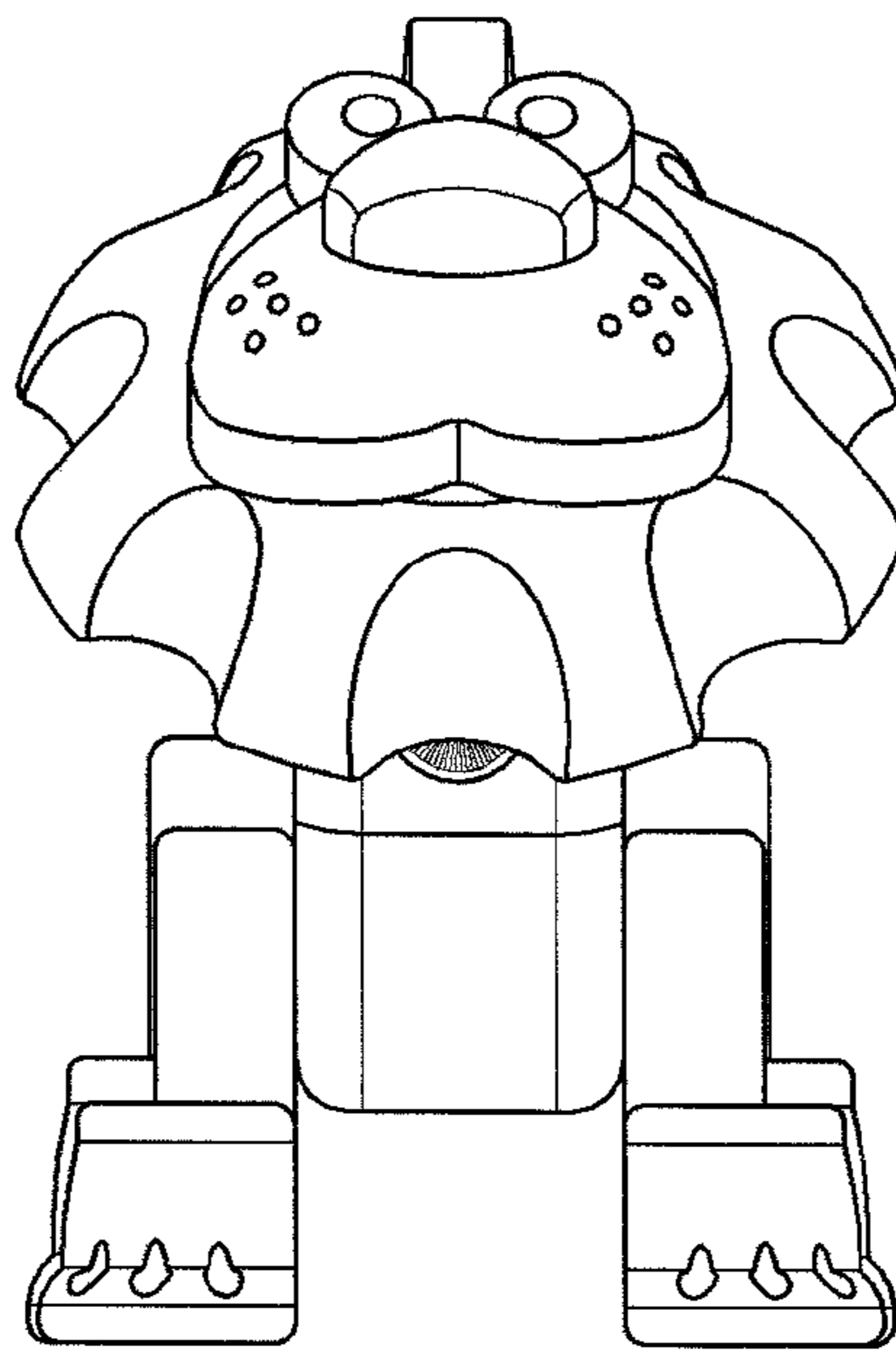


FIG. 3

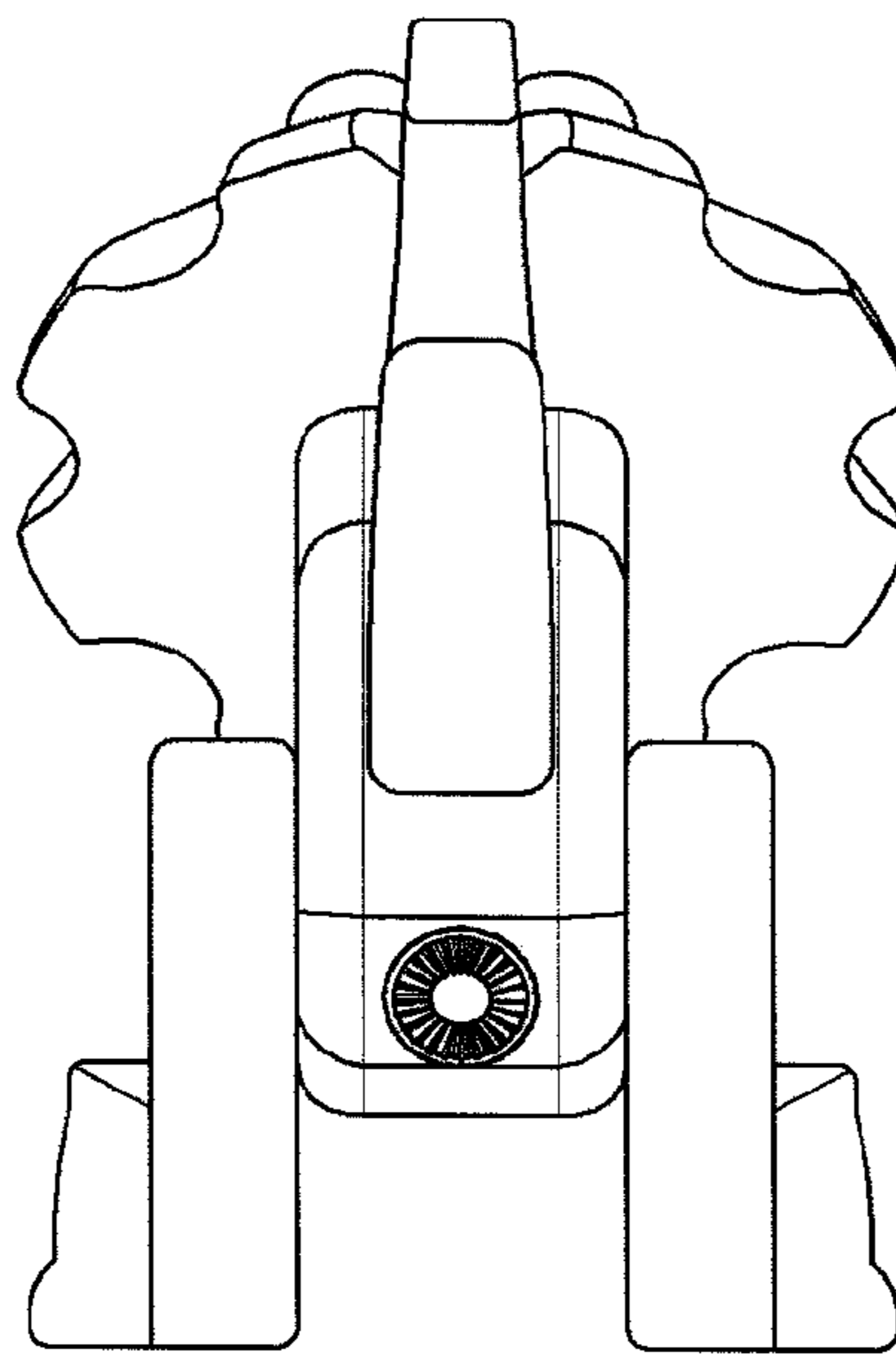


FIG. 4

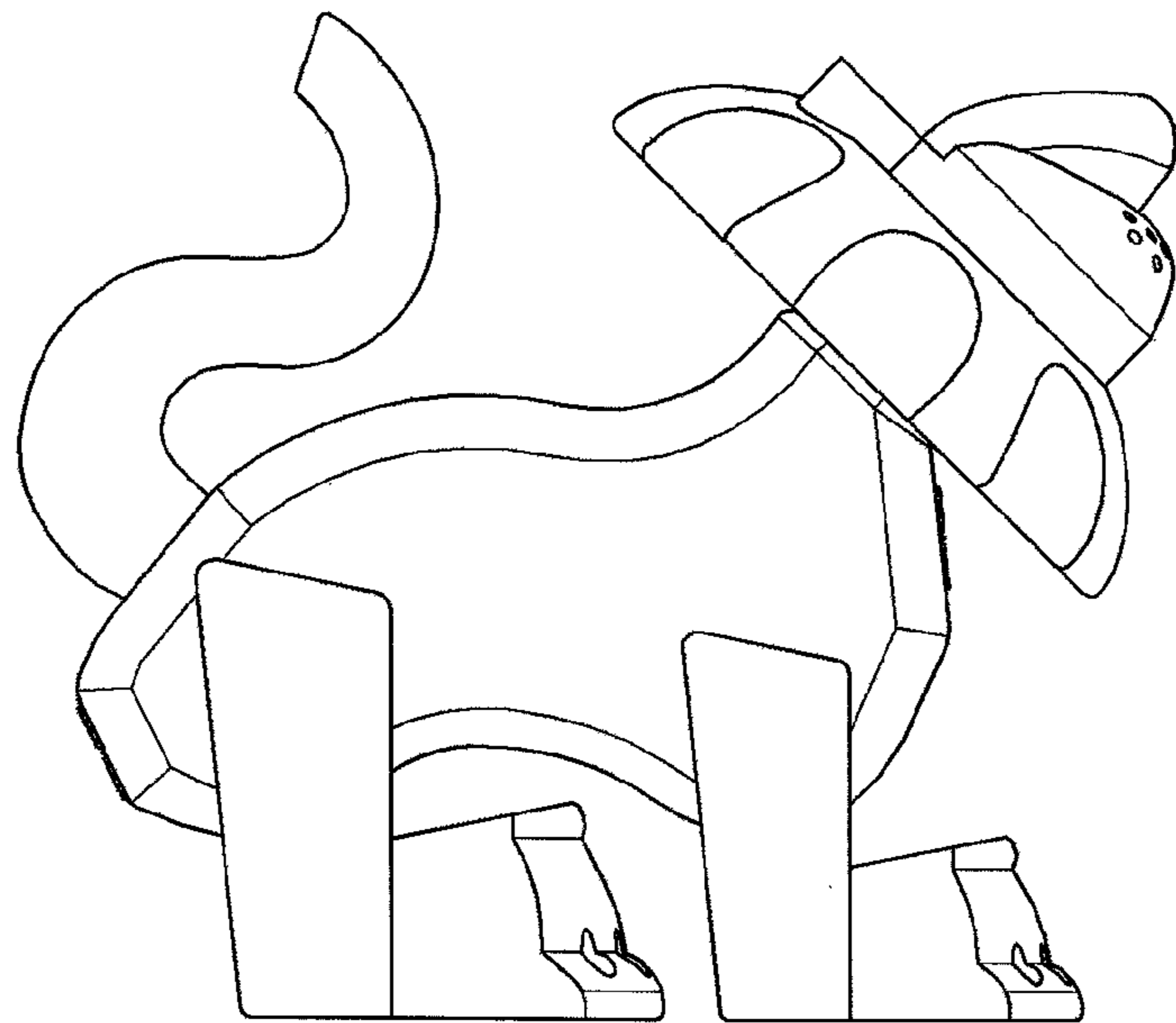


FIG. 5

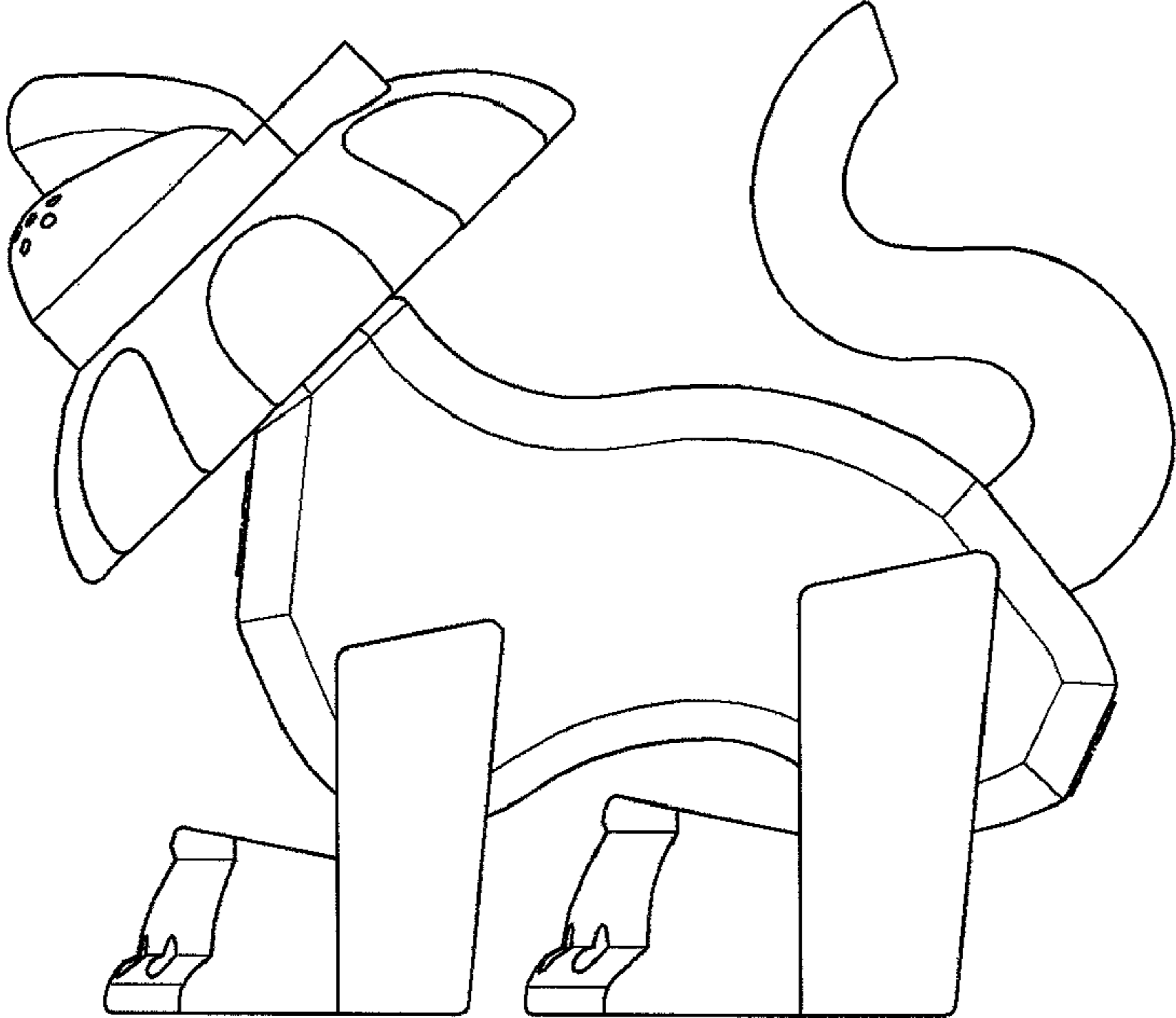


FIG. 6

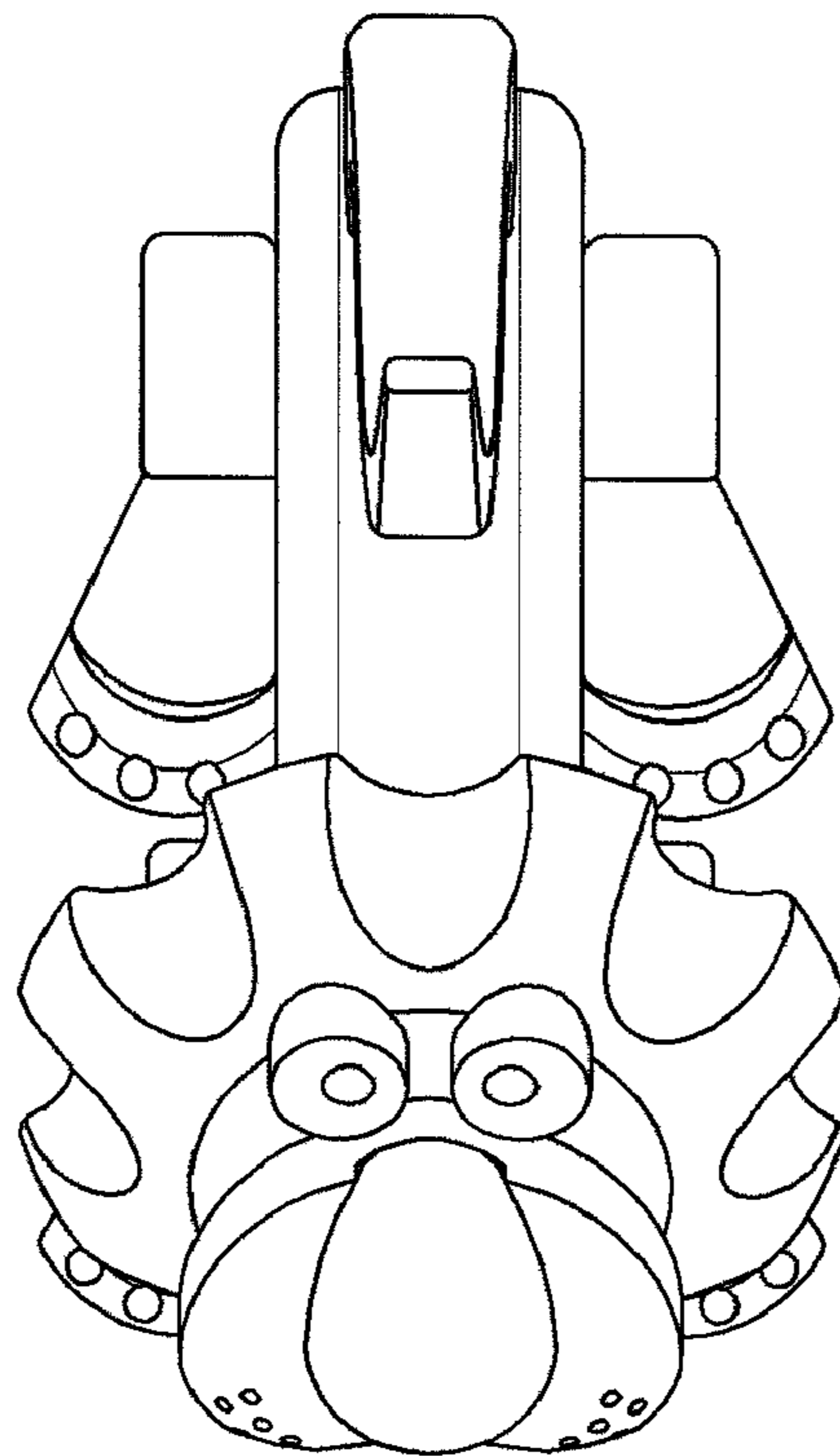


FIG. 7

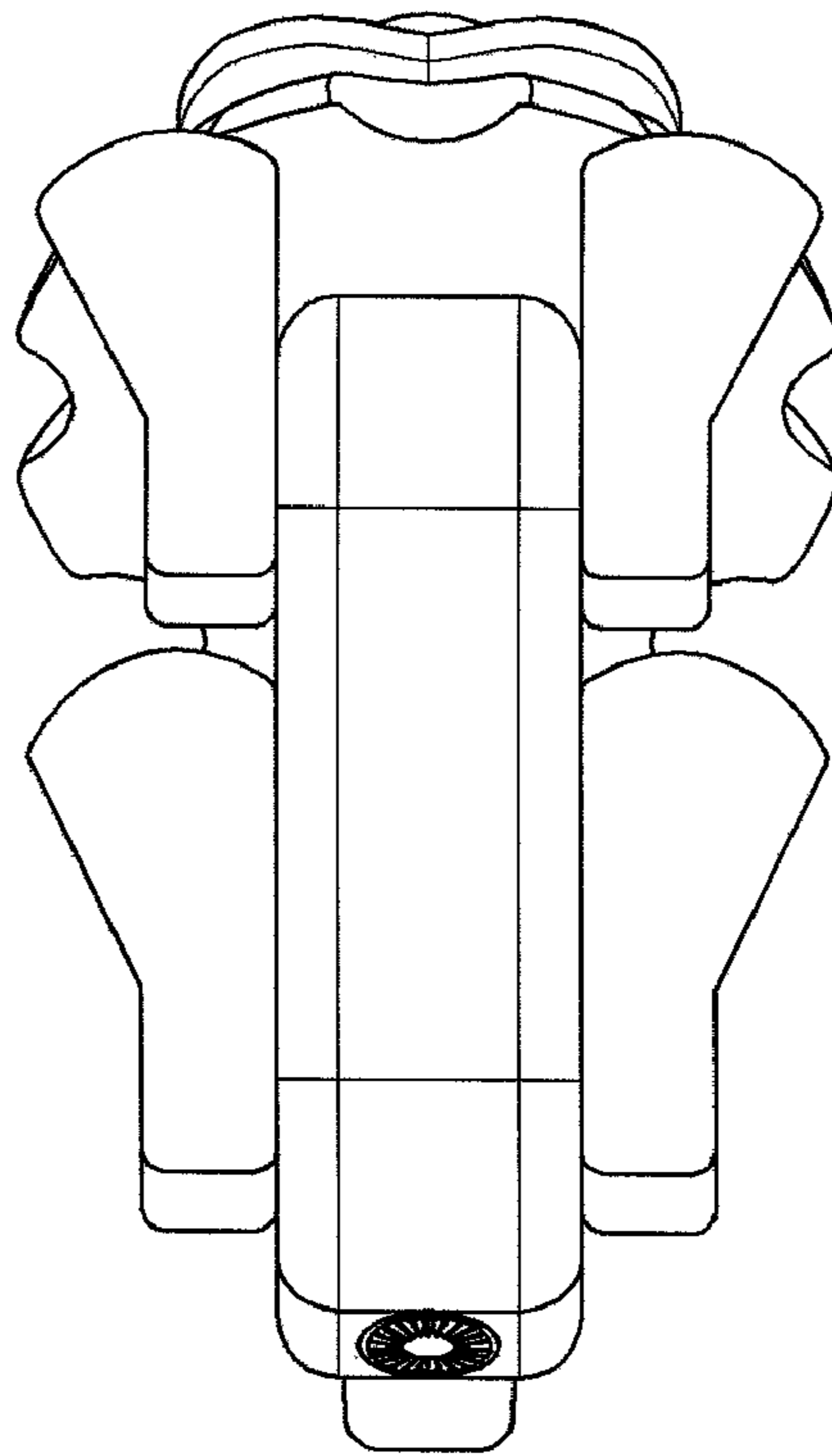


FIG. 8

