



US00D670769S

(12) **United States Design Patent**
Mimlitch, III et al.

(10) **Patent No.:** **US D670,769 S**
(45) **Date of Patent:** **** Nov. 13, 2012**

(54) **ROBOT ATTACHMENT**

(75) Inventors: **Robert H. Mimlitch, III**, Rowlett, TX (US); **David A. Norman**, Greenville, TX (US); **Douglas Galletti**, Allen, TX (US); **Joel Carter**, Argyle, TX (US); **Gregory Needel**, Rockwall, TX (US); **Jeffrey Russell Waegelin**, Rockwall, TX (US)

(73) Assignee: **Innovation First, Inc.**, Greenville, TX (US)

(**) Term: **14 Years**

(21) Appl. No.: **29/400,214**

(22) Filed: **Aug. 24, 2011**

(51) **LOC (9) Cl.** **21-01**

(52) **U.S. Cl.** **D21/578; D21/650**

(58) **Field of Classification Search** D6/596;
D11/158; D30/160; D21/576, 578-585,
D21/650, 658-659; 446/72, 97-98, 268-269,
446/356, 369, 377

See application file for complete search history.

(56) **References Cited**

U.S. PATENT DOCUMENTS

1,763,788 A 6/1930 Jobe, Sr.
(Continued)

FOREIGN PATENT DOCUMENTS

DE 1120958 10/1957
(Continued)

OTHER PUBLICATIONS

Shantou GoldRosita Intelligent Electronic Toys Industrial Co., Lit., Scoot Micro-Robotic Vehicles, pictures of product, product available over the Internet; manufactured in Guangdong, China.

Primary Examiner — Sandra Morris

(74) *Attorney, Agent, or Firm* — Adam K. Sacharoff

(57) **CLAIM**

The ornamental design for a robot attachment, as shown and described.

DESCRIPTION

FIG. 1 is a top perspective view showing a first embodiment of the robot attachment;

FIG. 2 is a bottom perspective view of FIG. 1;

FIG. 3 is a front side view of FIG. 1;

FIG. 4 is a back side view of FIG. 1;

FIG. 5 is a top side view of FIG. 1;

FIG. 6 is a bottom side view of FIG. 1;

FIG. 7 is a left side view of FIG. 1;

FIG. 8 is a right side view of FIG. 1;

FIG. 9 is a top perspective view showing a second embodiment of the robot attachment with a toy robot in dotted lines;

FIG. 10 is a bottom perspective view of FIG. 9;

FIG. 11 is a front side view of FIG. 9;

FIG. 12 is a back side view of FIG. 9;

FIG. 13 is a top side view of FIG. 9;

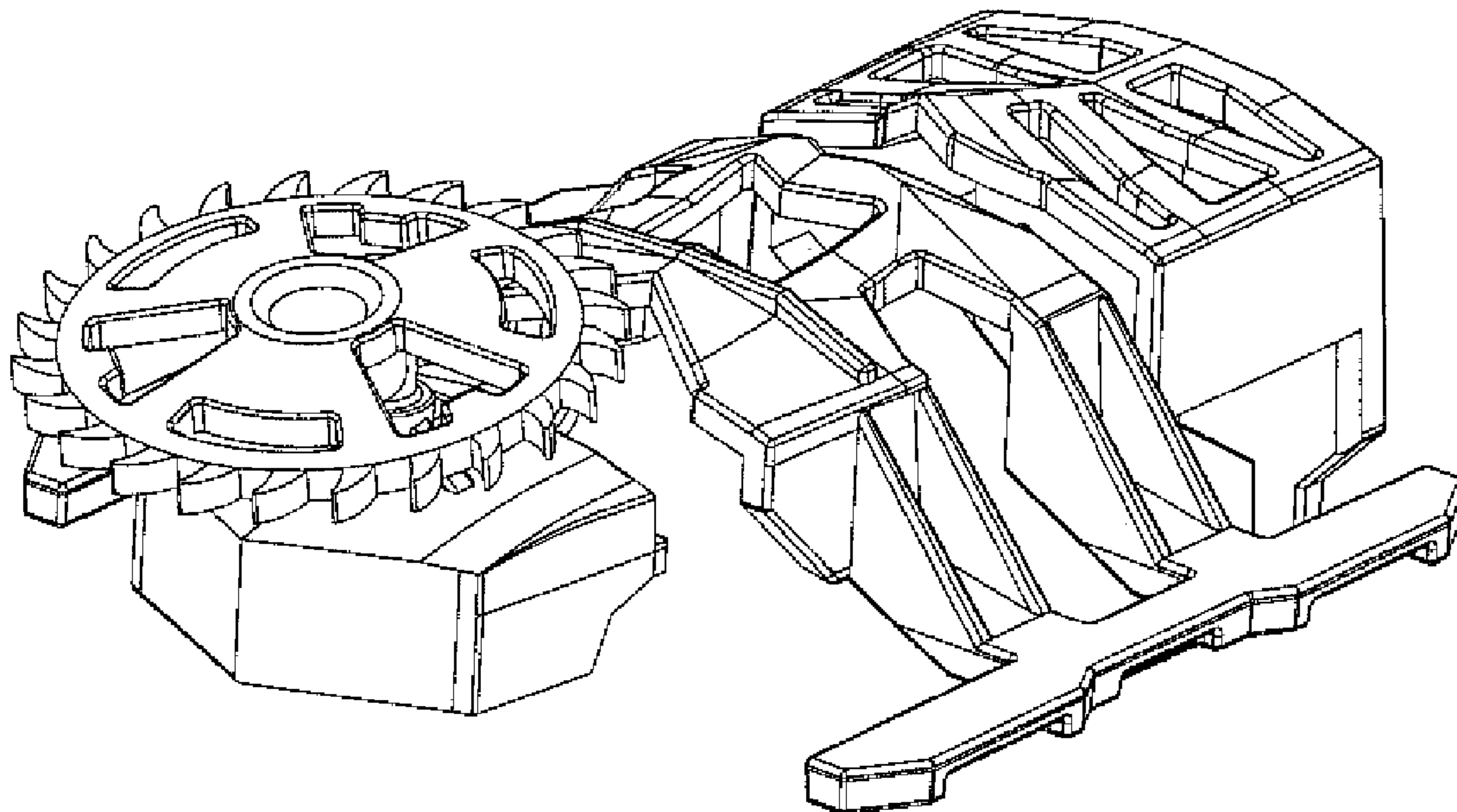
FIG. 14 is a bottom side view of FIG. 9;

FIG. 15 is a left side view of FIGS. 9; and,

FIG. 16 is a right side view of FIG. 9.

The broken lines are for the purpose of illustrating portions of the environmental structure and forms no part of the claimed embodiment and design.

1 Claim, 16 Drawing Sheets



US D670,769 S

Page 2

U.S. PATENT DOCUMENTS

1,793,121 A 2/1931 Muller
2,167,985 A 8/1939 Levay
2,618,888 A 11/1952 Hoff
2,827,735 A 3/1959 Grimm
3,196,580 A 7/1965 Rakestraw
3,331,463 A 7/1967 Kramer
3,530,617 A 9/1970 Halvorson et al.
3,841,636 A 10/1974 Meyer
3,842,532 A 10/1974 Nielsen
3,959,920 A 6/1976 Ieda
4,163,558 A 8/1979 Breslow et al.
4,219,957 A 9/1980 Kakuta
4,291,490 A 9/1981 Ikeda
4,591,346 A 5/1986 Ikeda
D289,070 S 3/1987 Forbes et al.
D289,747 S 5/1987 Sethares et al.
D291,711 S 9/1987 Dixon
4,708,690 A 11/1987 Kulesza et al.
4,941,857 A 7/1990 Fujimaki
5,088,949 A 2/1992 Atkinson et al.
5,221,226 A 6/1993 Park
D405,850 S 2/1999 Witkin
5,993,286 A 11/1999 Tacquard et al.
D421,932 S 3/2000 Hawkins et al.
D427,256 S 6/2000 Teigiser
6,238,264 B1 5/2001 Kazami et al.
D456,467 S 4/2002 Corbett
6,435,929 B1 8/2002 Halford

6,599,048 B2 7/2003 Kuo
6,652,352 B1 11/2003 MacArthur et al.
6,681,150 B1 1/2004 Haga et al.
6,826,449 B1 11/2004 Abu-Taha
6,866,557 B2 3/2005 Randall
6,899,589 B1 5/2005 Lund et al.
6,964,309 B2 11/2005 Quinn et al.
6,964,572 B2 11/2005 Cesa
D517,131 S 3/2006 Carruth
7,040,951 B2 5/2006 Hornsby et al.
7,204,455 B2 4/2007 Sinclair
D555,213 S 11/2007 Bowen et al.
7,803,031 B1 9/2010 Winckler et al.
7,927,170 B2 4/2011 Bickerton et al.
2001/0054518 A1 12/2001 Buehler et al.
2004/0198159 A1 10/2004 Xu et al.
2005/0112992 A1 5/2005 Malcolm
2007/0087654 A1 4/2007 Chernick et al.
2009/0311941 A1 12/2009 Bickerton et al.

FOREIGN PATENT DOCUMENTS

FR 1564711 3/1969
FR 2358174 2/1978
GB 488042 6/1938
GB 1180384 2/1970
GB 1381326 1/1975
JP H1-146570 6/1989
JP 6343767 12/1994
WO 2006136792 12/2006

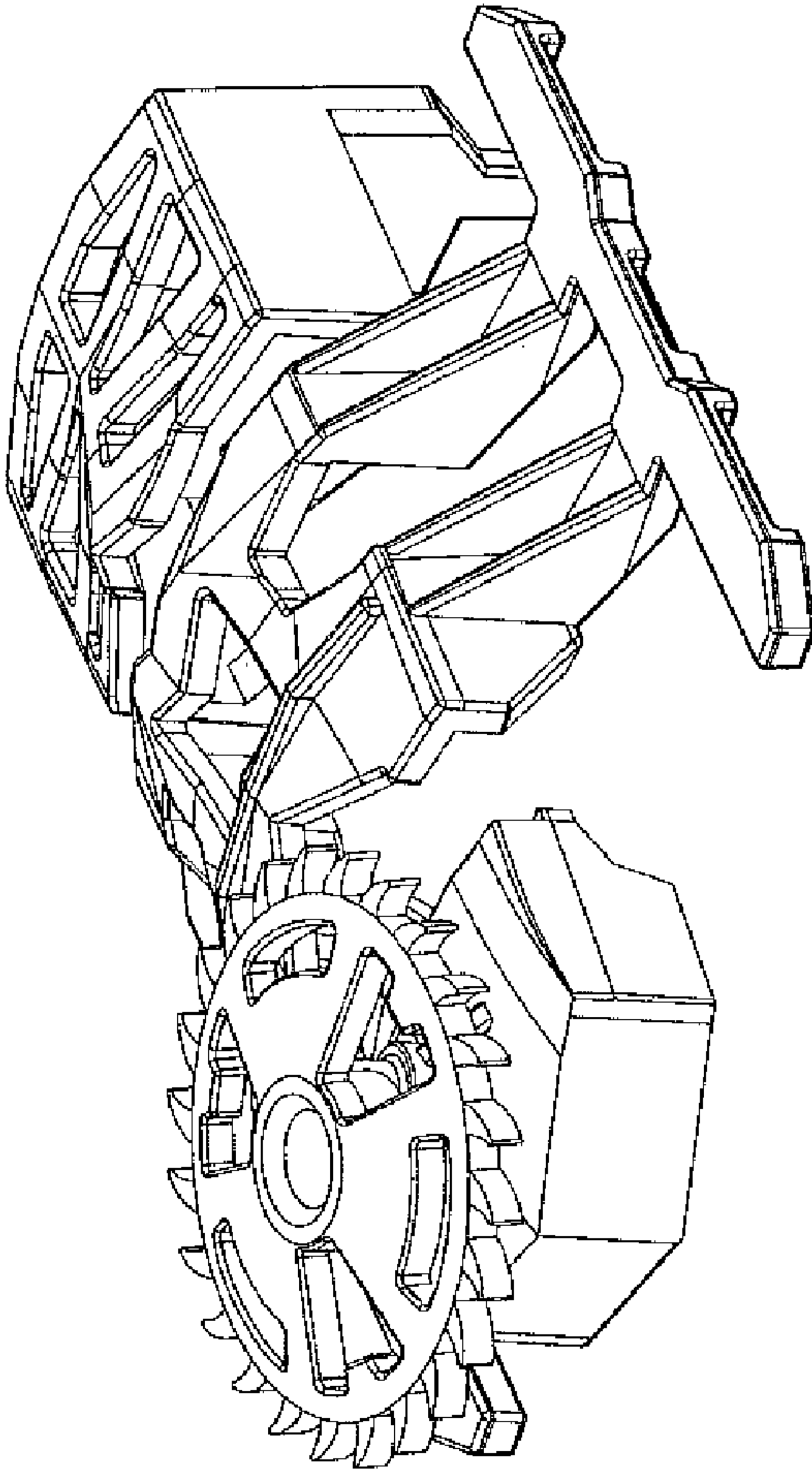


FIGURE 1

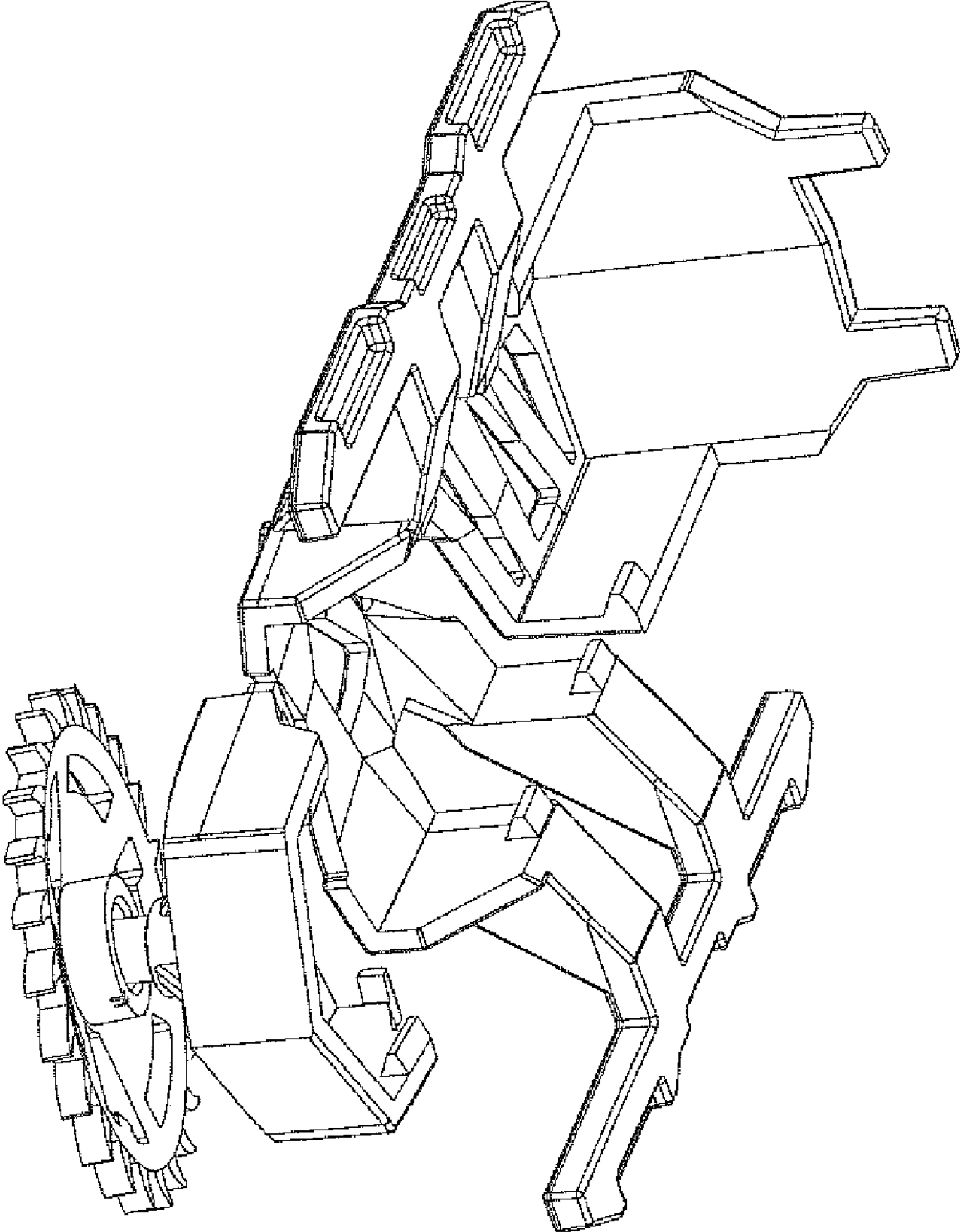


FIGURE 2

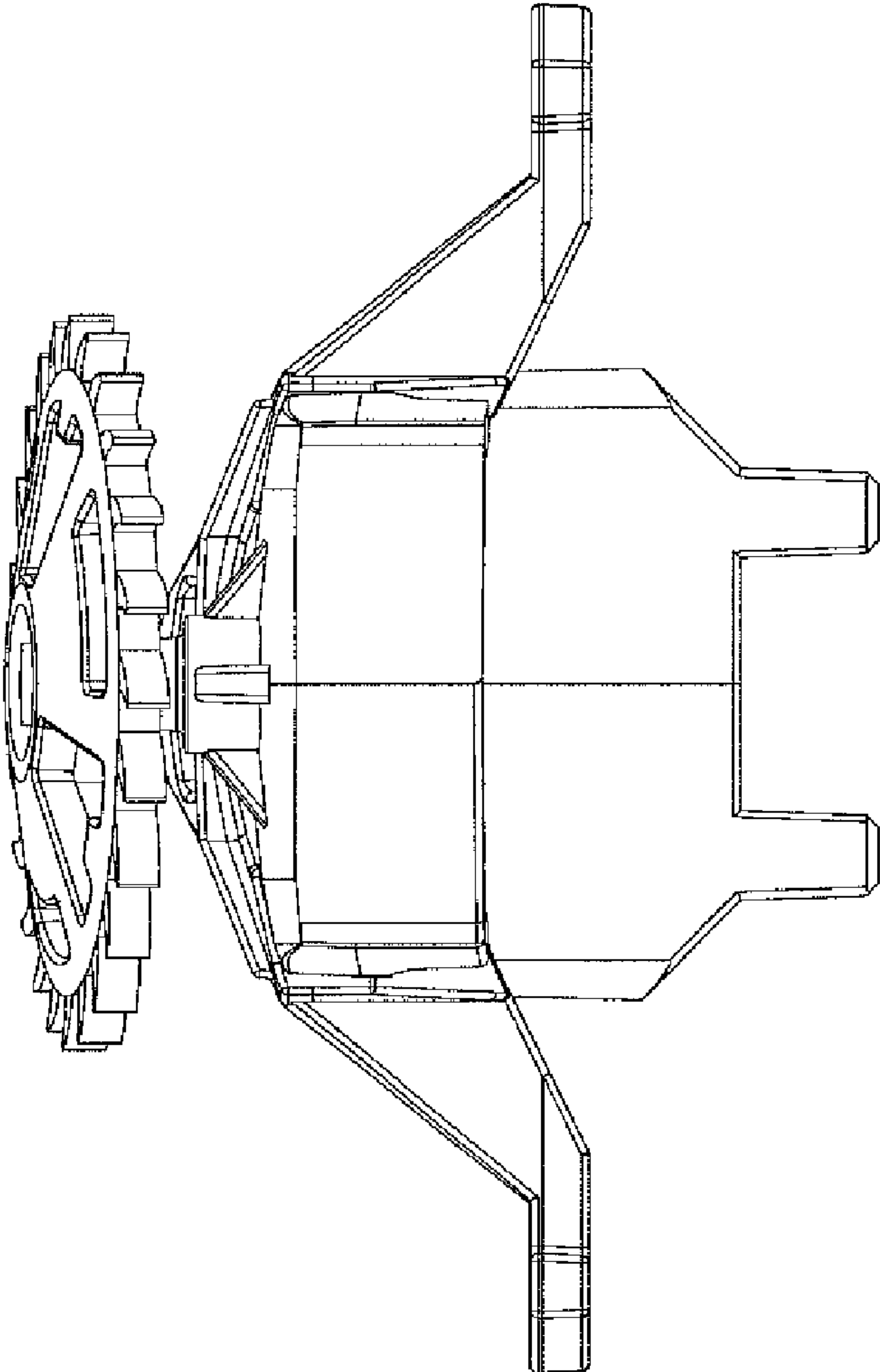


FIGURE 3

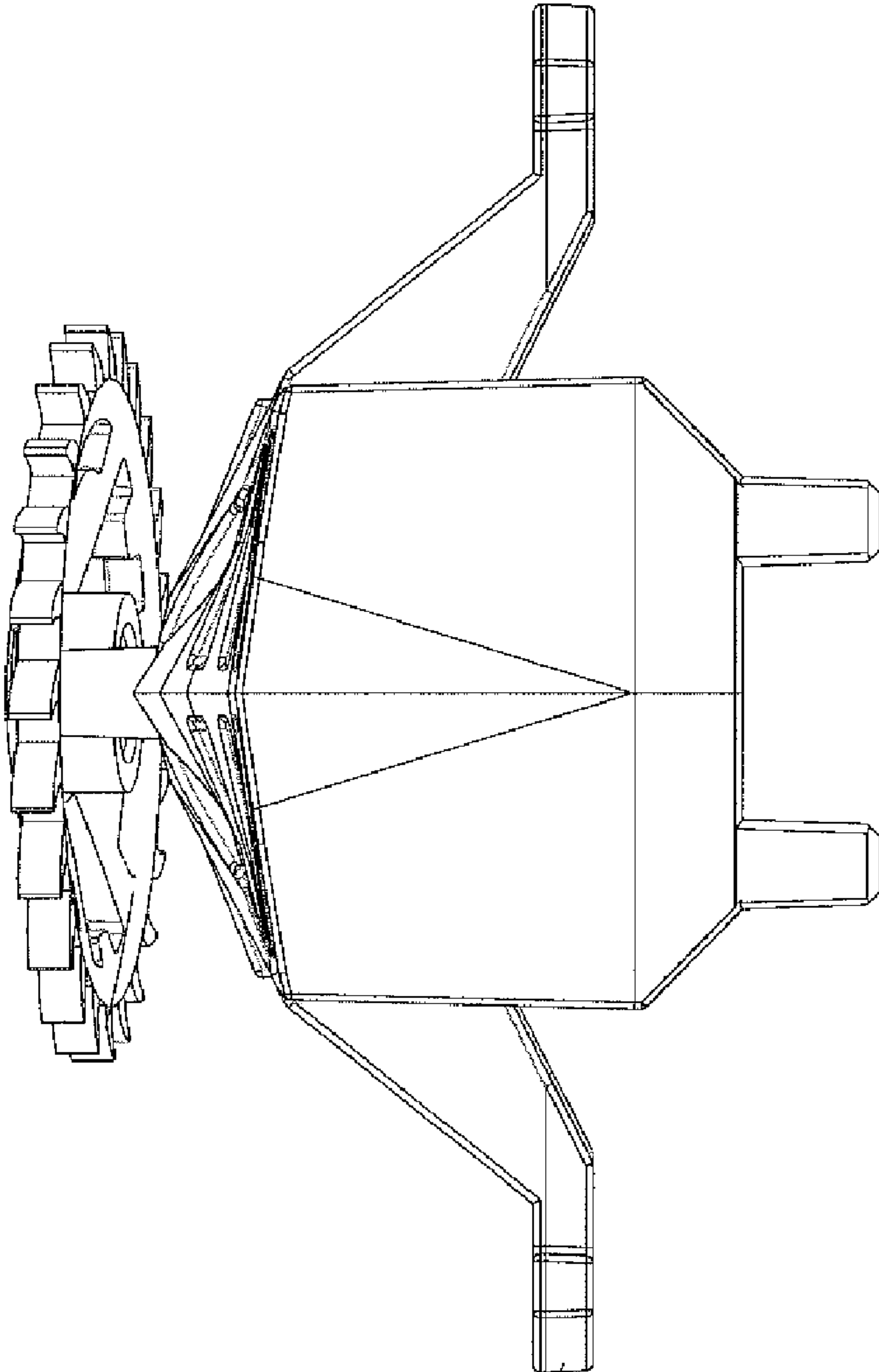


FIGURE 4

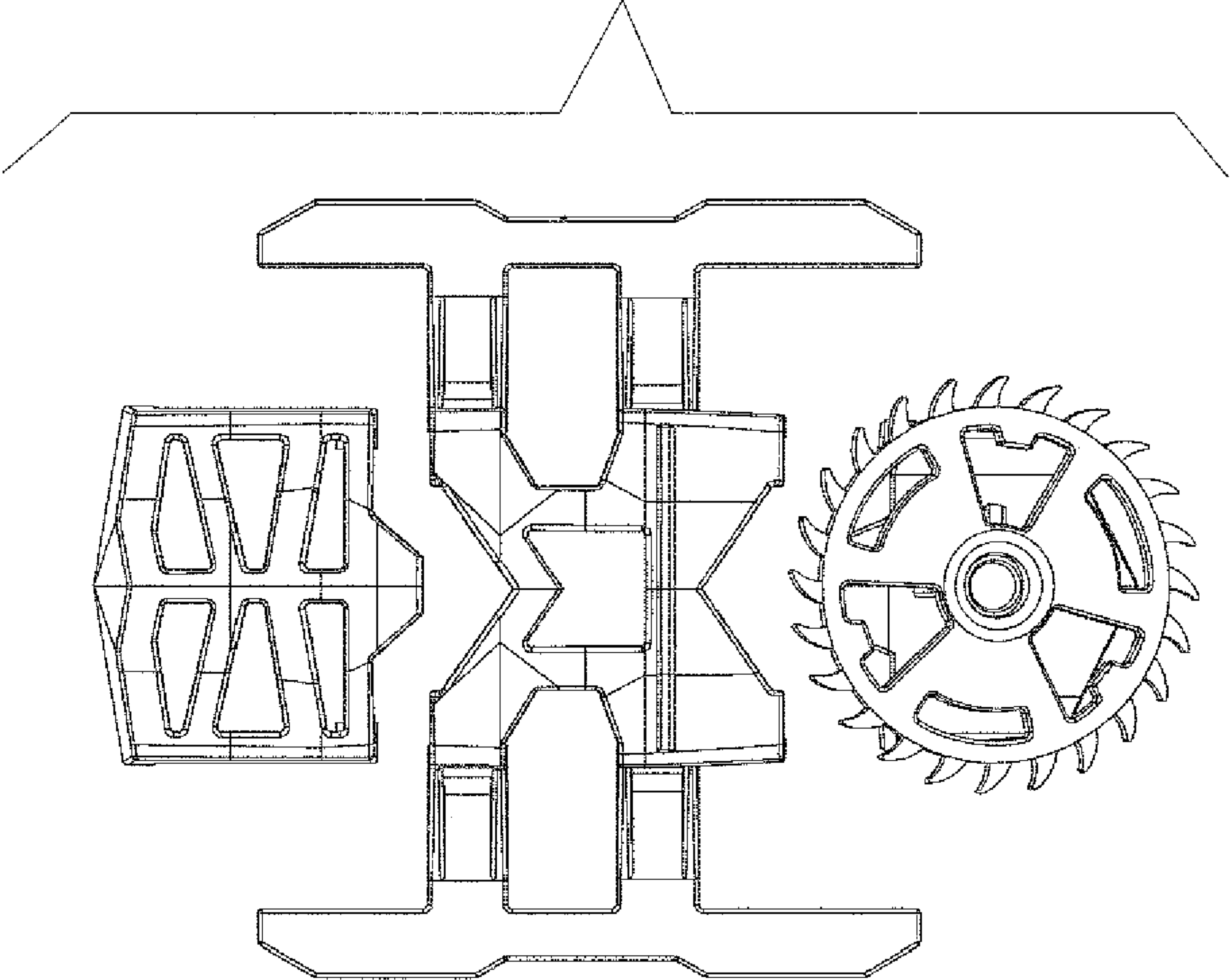


FIGURE 5

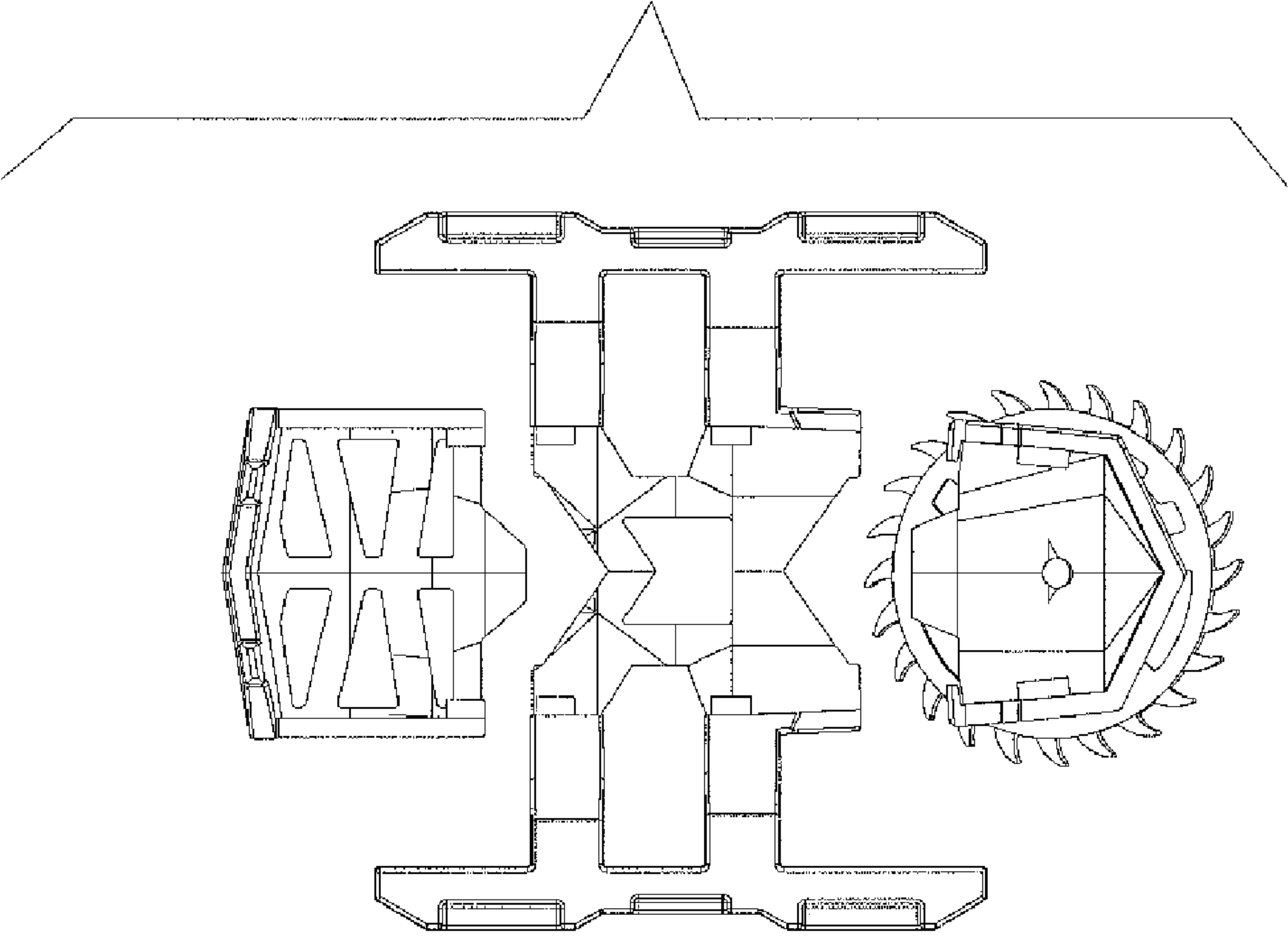


FIGURE 6

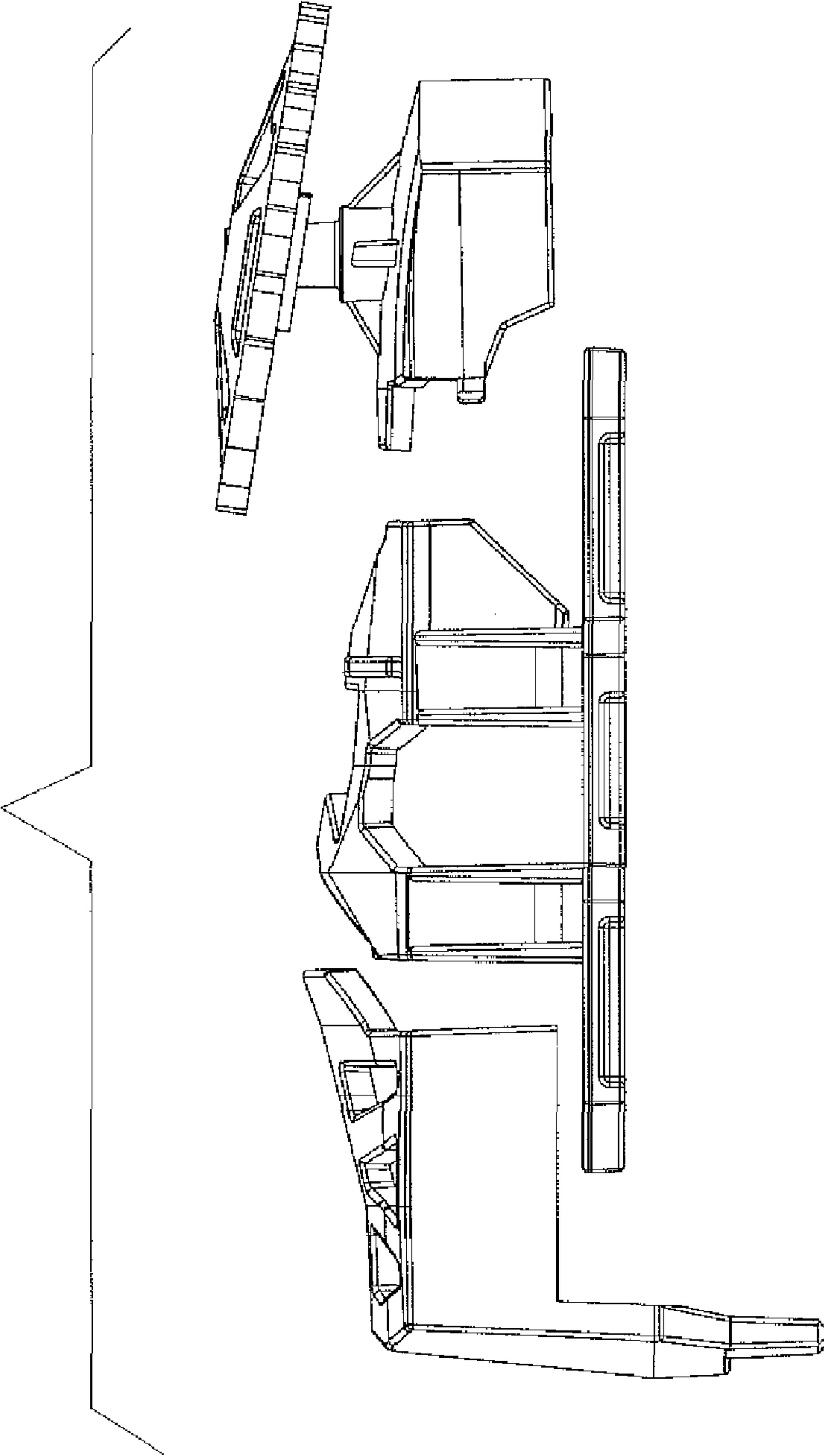


FIGURE 7

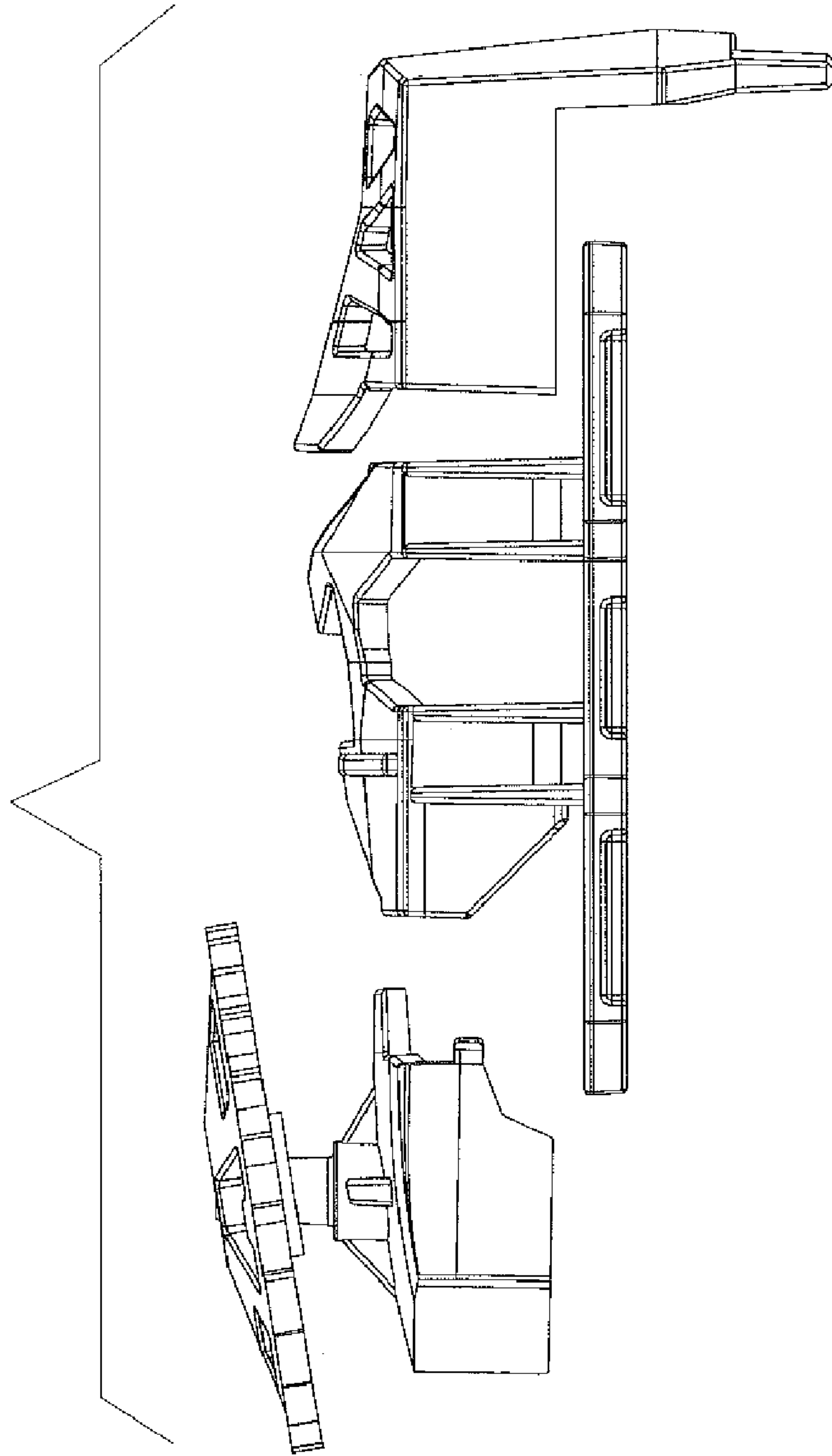


FIGURE 8

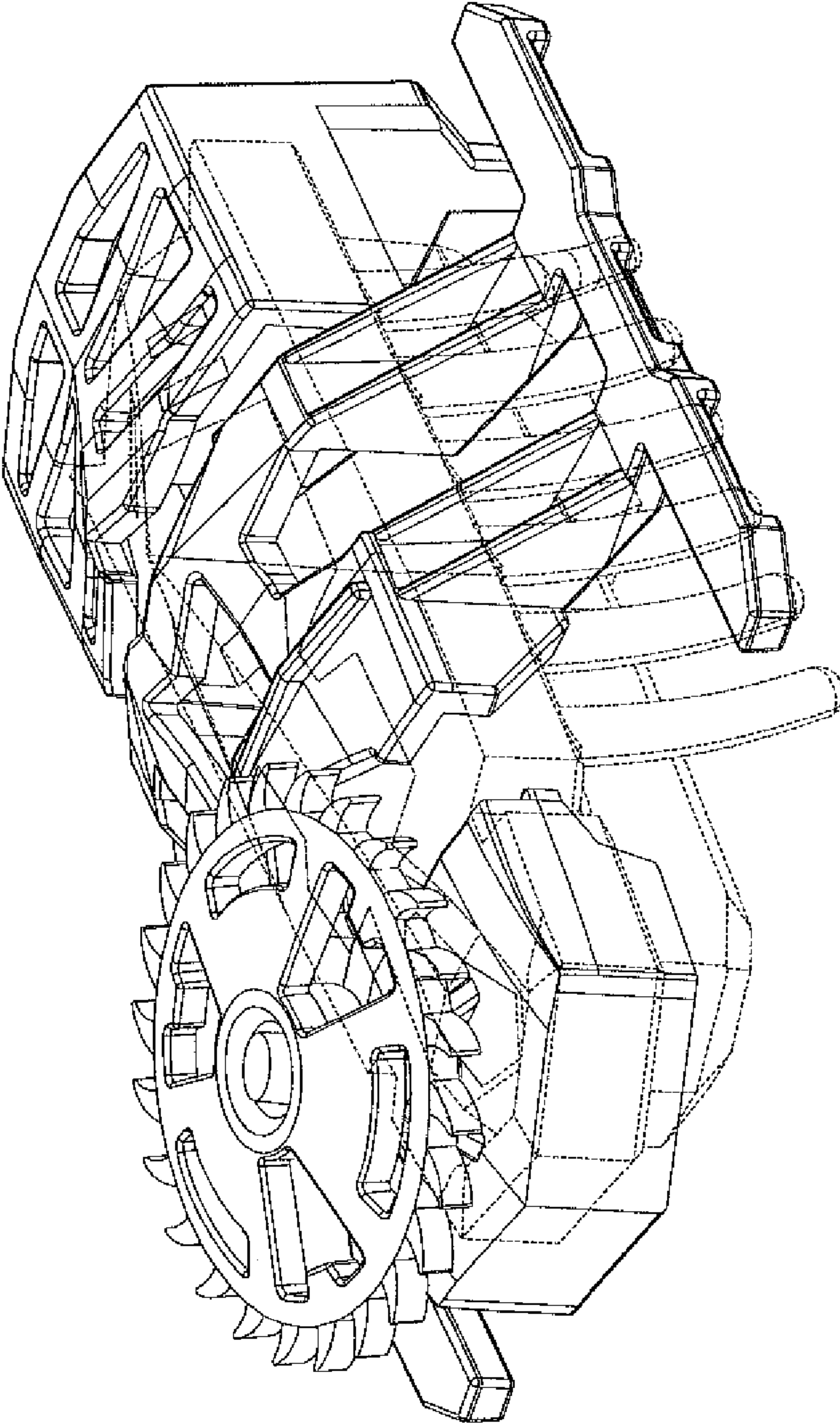


FIGURE 9

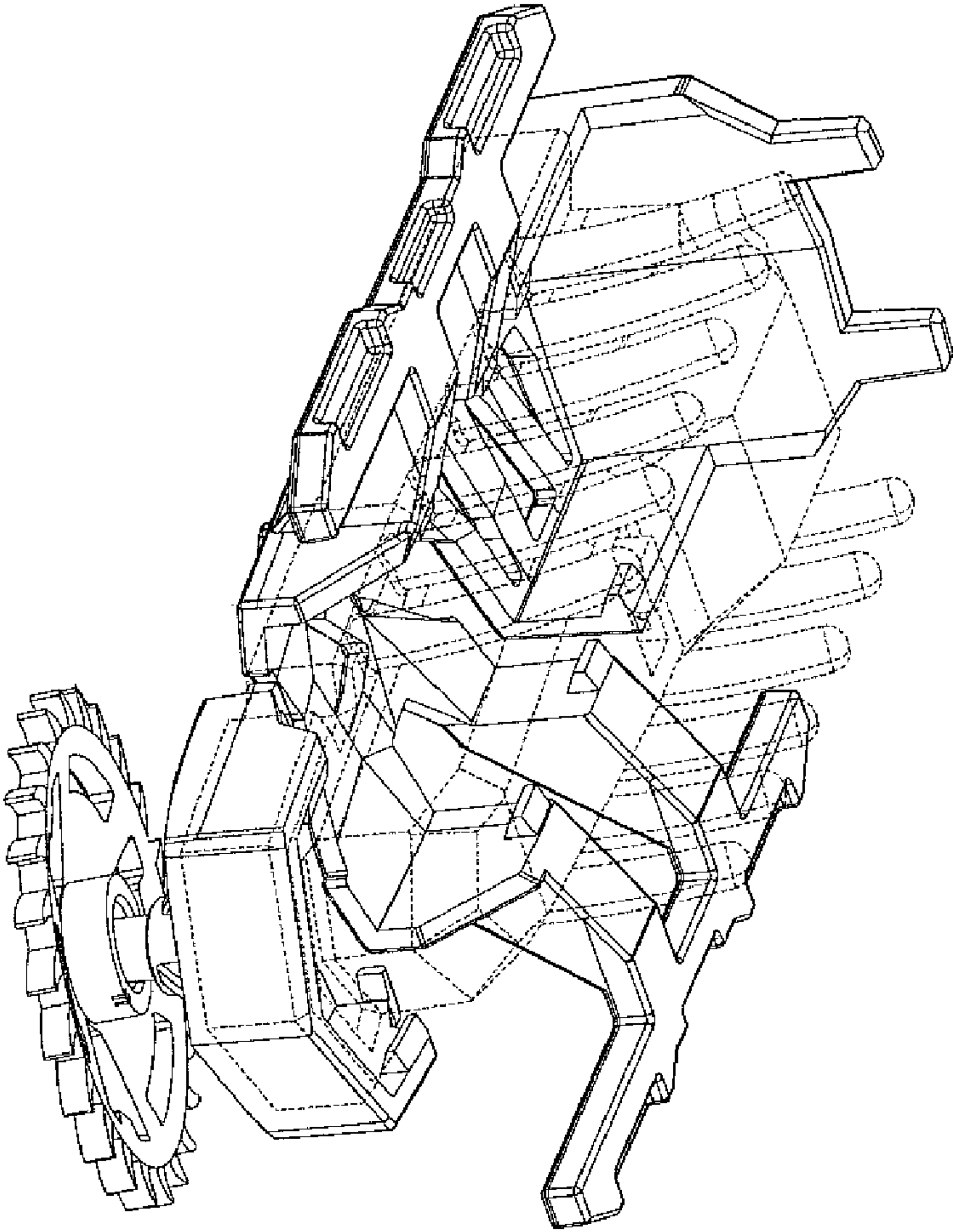


FIGURE 10

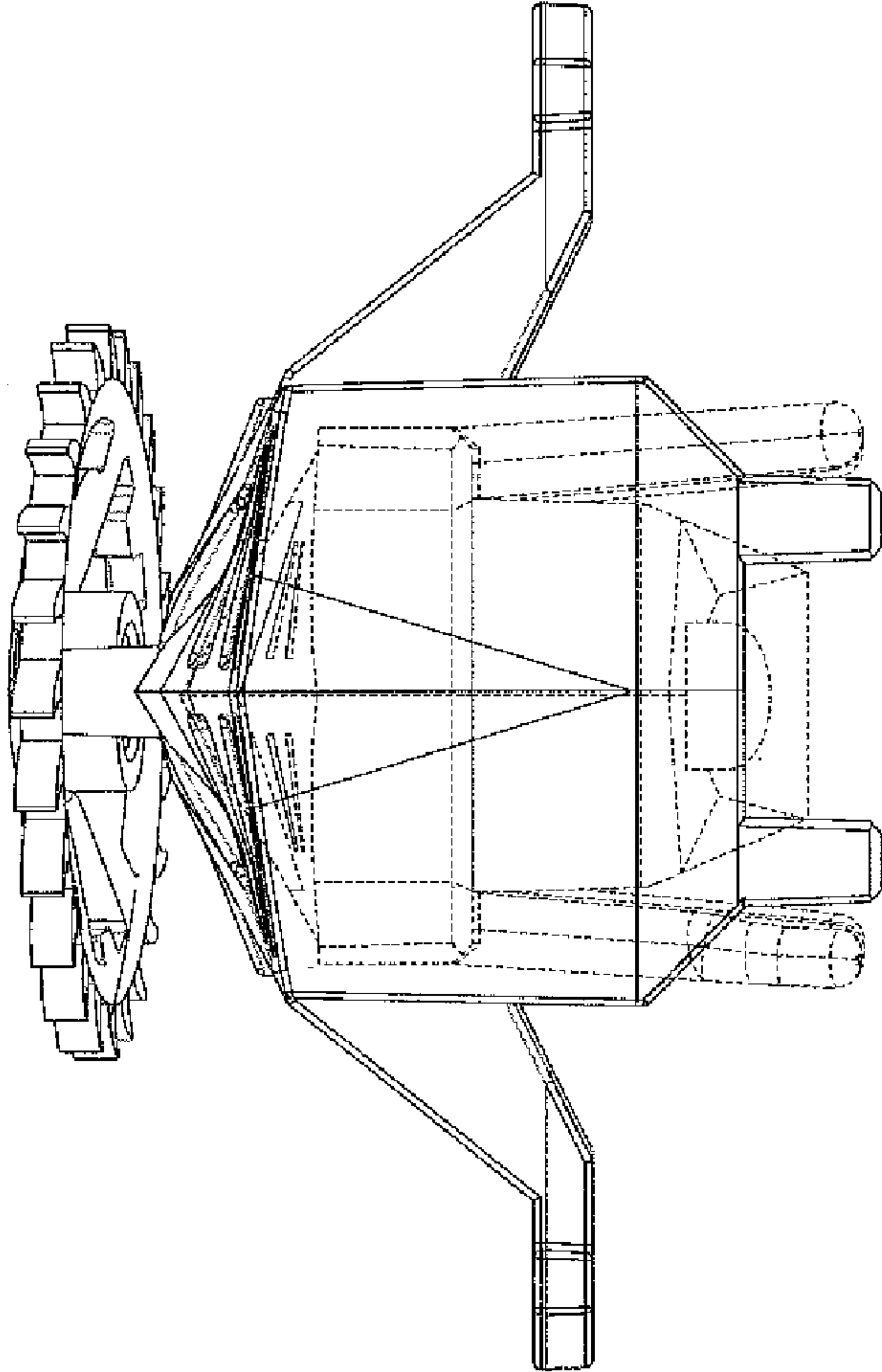


FIGURE 11

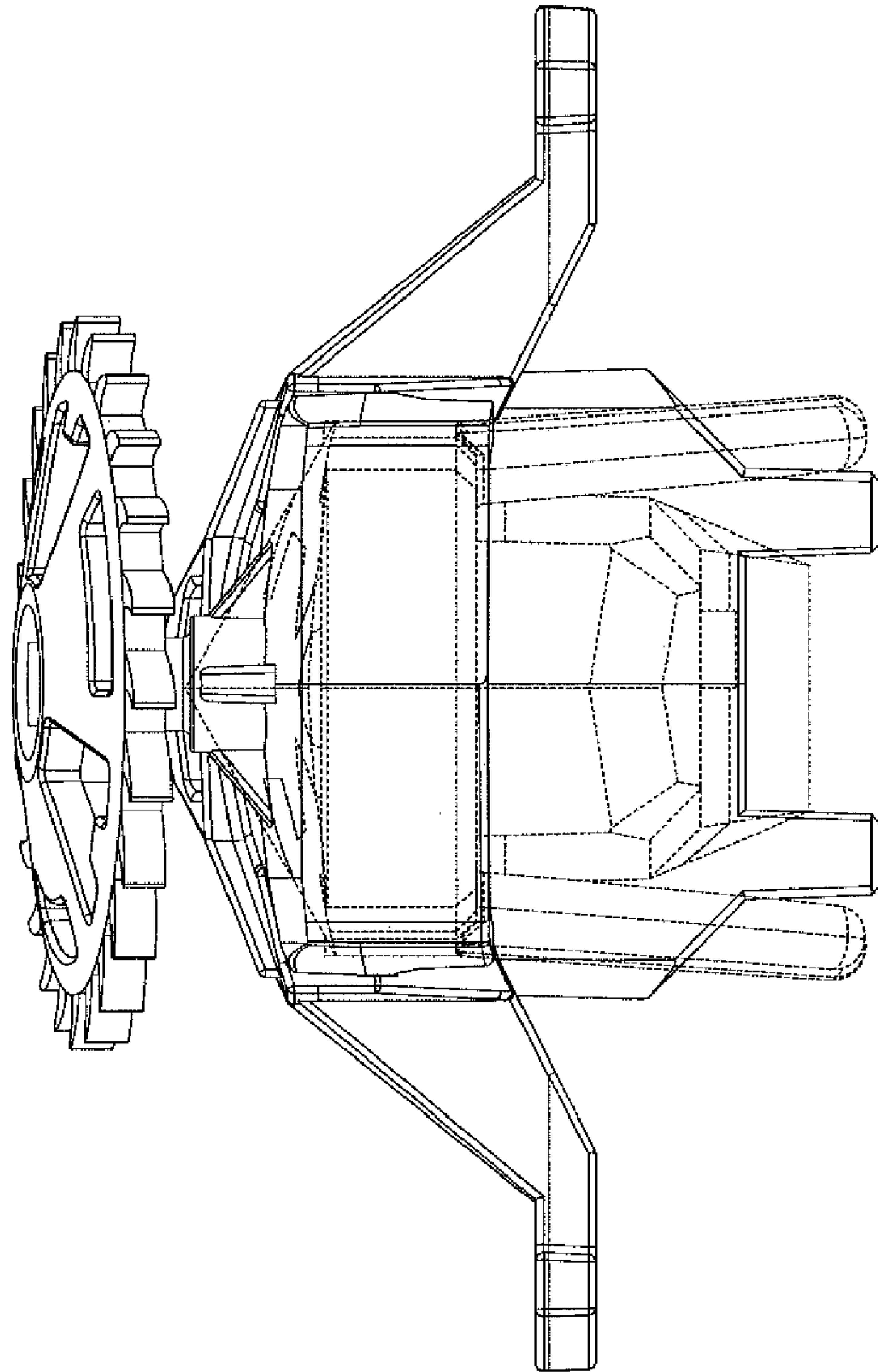


FIGURE 12

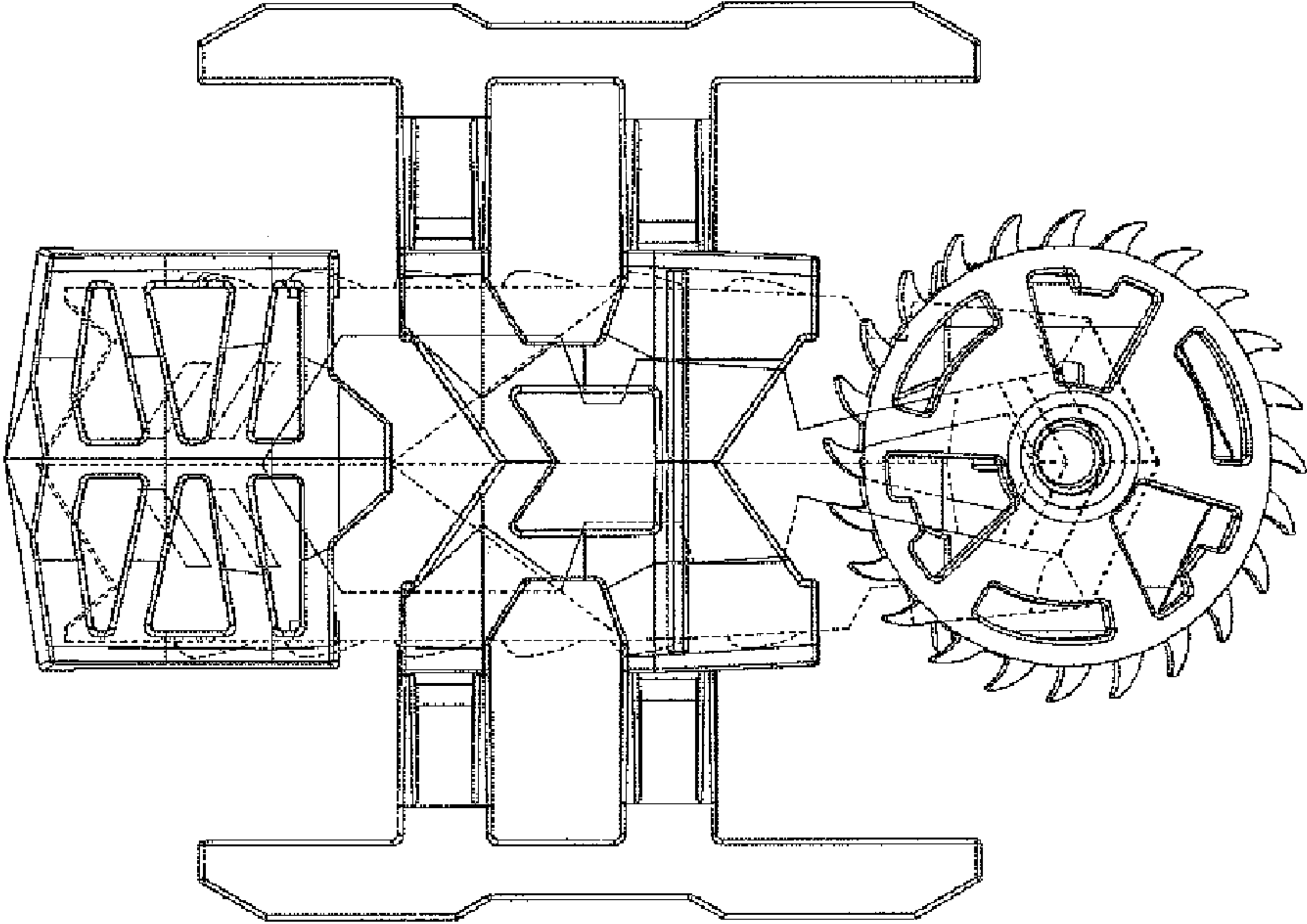


FIGURE 13

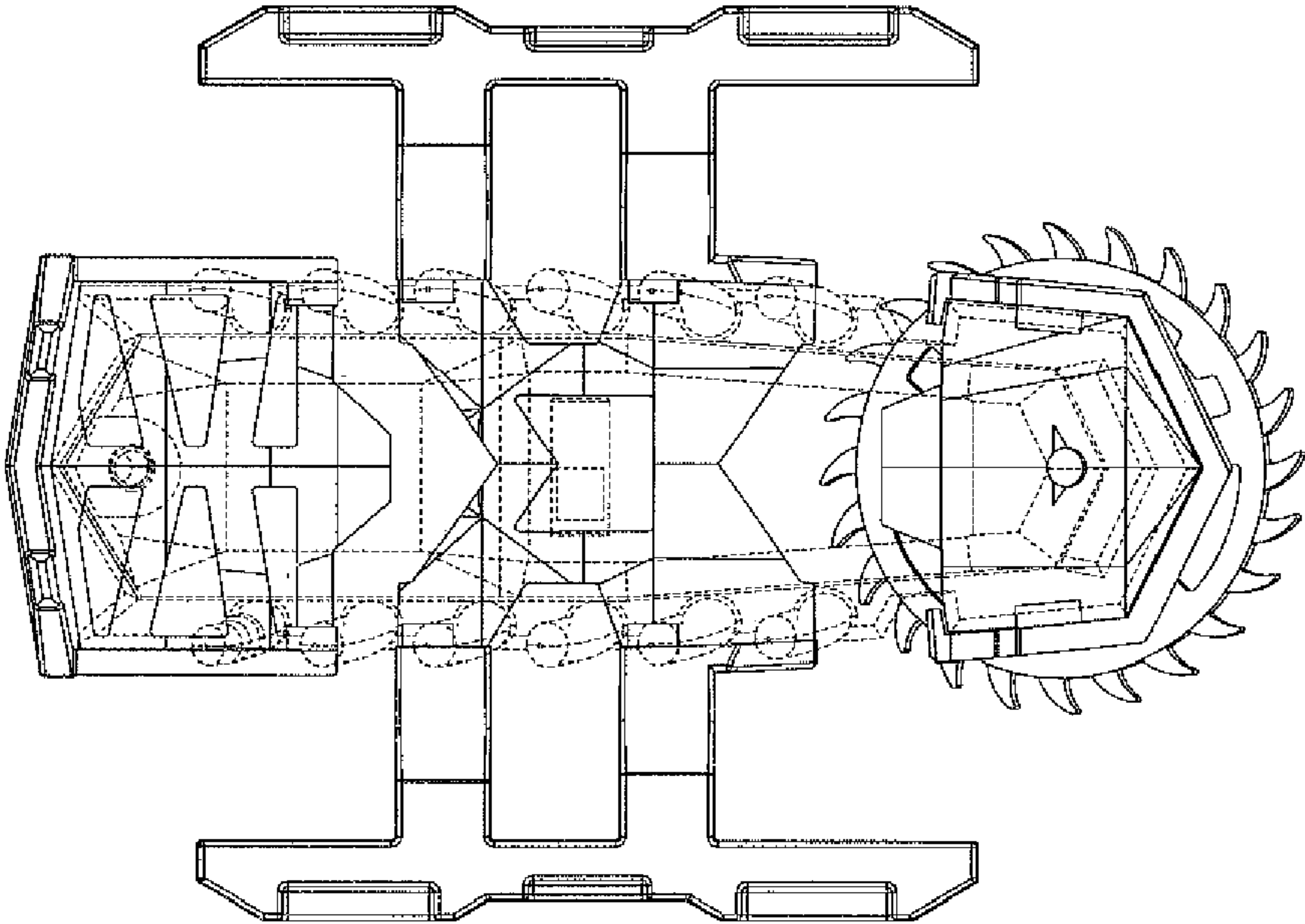


FIGURE 14

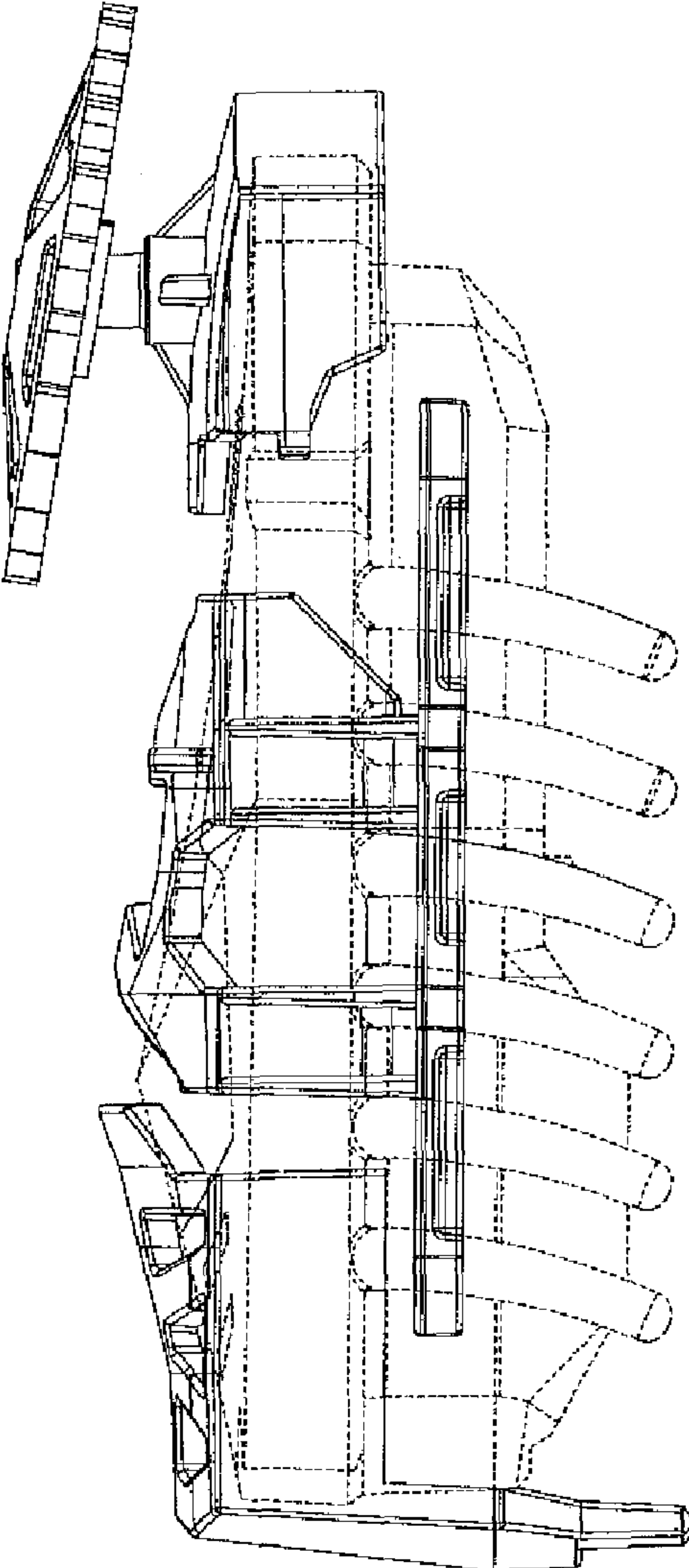


FIGURE 15

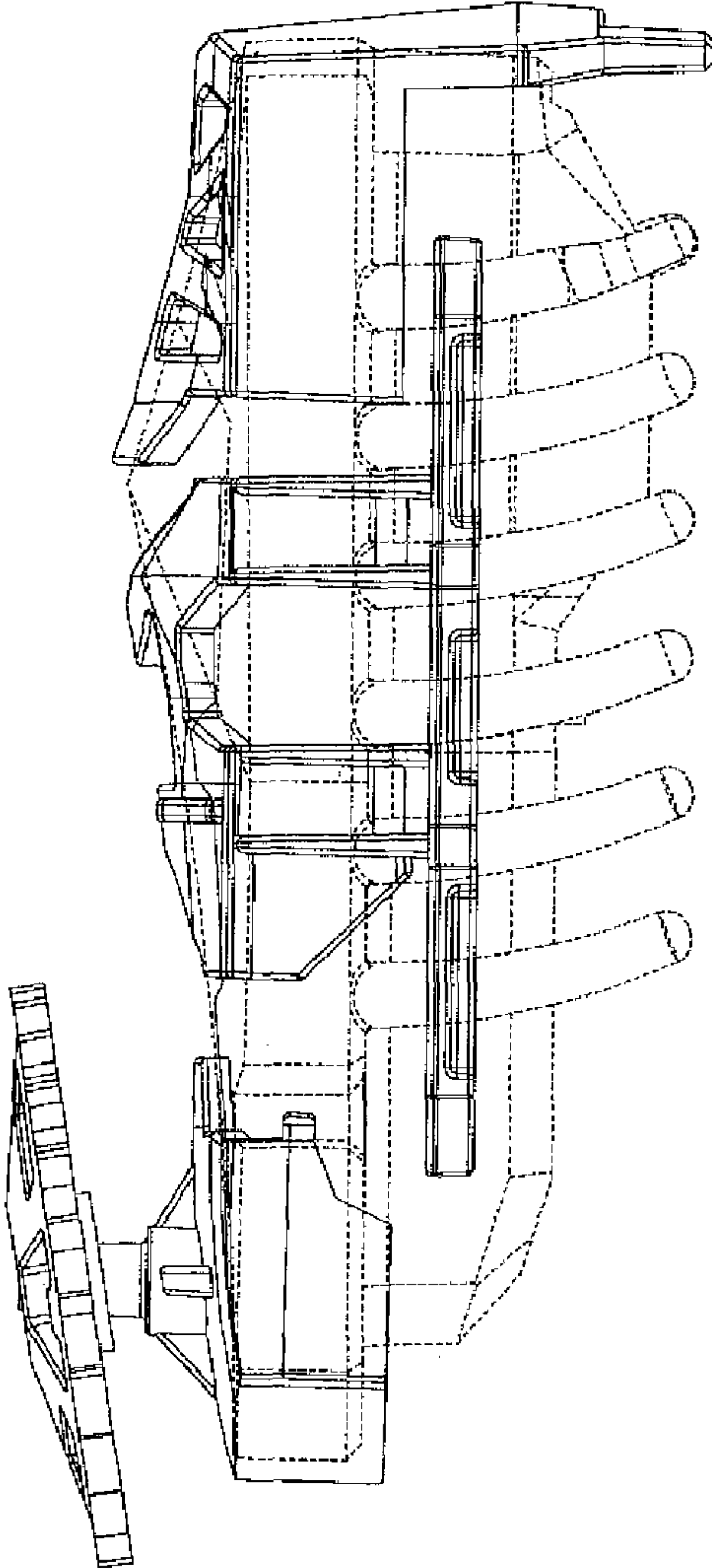


FIGURE 16